



US00D487108S

(12) **United States Design Patent**
Morita et al.

(10) **Patent No.:** **US D487,108 S**

(45) **Date of Patent:** **** Feb. 24, 2004**

(54) **IMAGE DRUM CARTRIDGE**

(75) Inventors: **Fumio Morita**, Haguri-gun (JP);
Tsutomu Suzuki, Nagoya (JP)

(73) Assignee: **Brother Industries, Limited**, Nagoya (JP)

(**) Term: **14 Years**

(21) Appl. No.: **29/150,911**

(22) Filed: **Dec. 3, 2001**

(30) **Foreign Application Priority Data**

Jun. 7, 2001 (JP) 2001-016600

(51) **LOC (7) Cl.** **16-03**

(52) **U.S. Cl.** **D18/40**

(58) **Field of Search** D18/40, 43, 56;
399/12, 24-27, 110-120, 262, 252; 222/DIG. 1

(56) **References Cited**

U.S. PATENT DOCUMENTS

- D366,277 S * 1/1996 Kawamura D18/43
- D394,082 S * 5/1998 Tashiro et al. D18/43
- D423,561 S * 4/2000 Kita D18/43
- D458,300 S * 6/2002 Kwon D18/43

- D460,980 S * 7/2002 Matsuzaki et al. D18/40
- D462,713 S * 9/2002 Funayama et al. D18/43
- D462,984 S * 9/2002 Hayashi et al. D18/40

FOREIGN PATENT DOCUMENTS

JP 1002506 S 12/1995

* cited by examiner

Primary Examiner—Caron D. Veynar

(74) *Attorney, Agent, or Firm*—Oliff & Berridge, PLC

(57) **CLAIM**

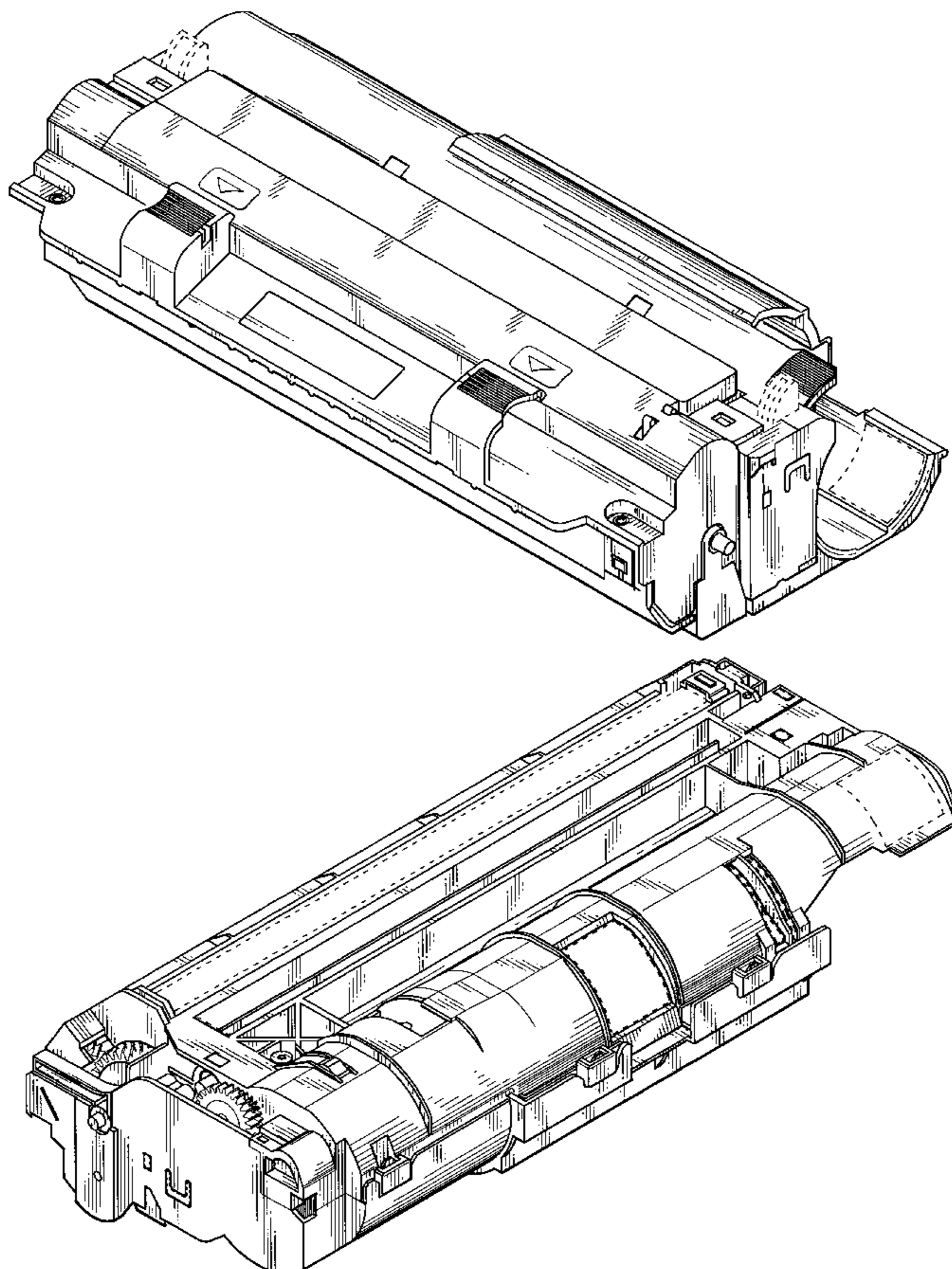
The ornamental design for image drum cartridge, as shown and described.

DESCRIPTION

FIG. 1 is a front view of a image drum cartridge,
 FIG. 2 is a rear view thereof,
 FIG. 3 is a left side view thereof,
 FIG. 4 is a right side view thereof,
 FIG. 5 is a top view thereof,
 FIG. 6 is a bottom view thereof,
 FIG. 7 is a top perspective view thereof; and,
 FIG. 8 is a bottom perspective view thereof.

The broken lines showing illustrates the bounds of the claimed design, but forms no part of the claimed design.

1 Claim, 7 Drawing Sheets



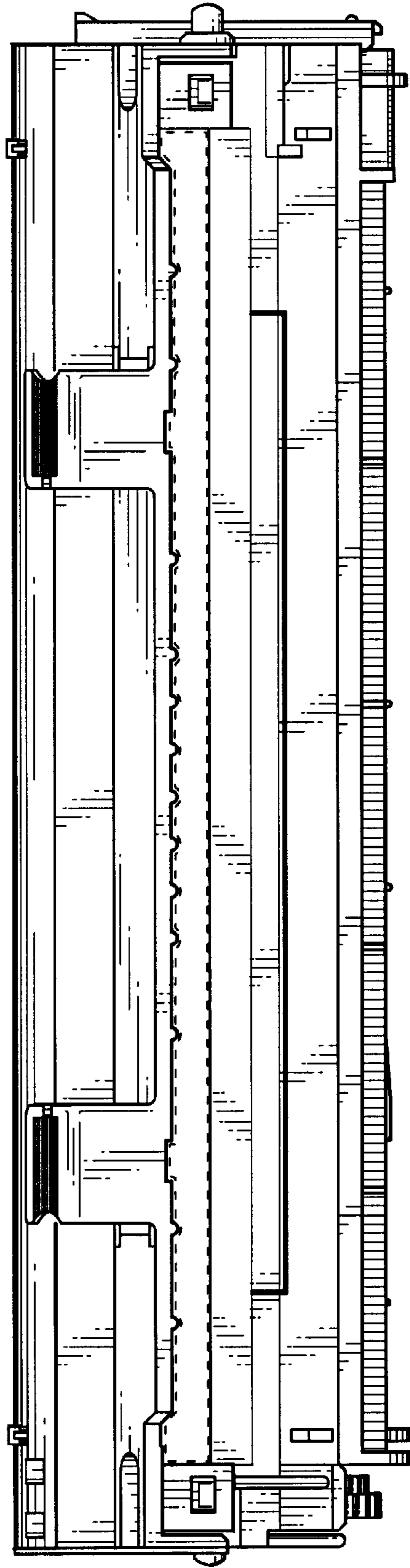


Fig. 1

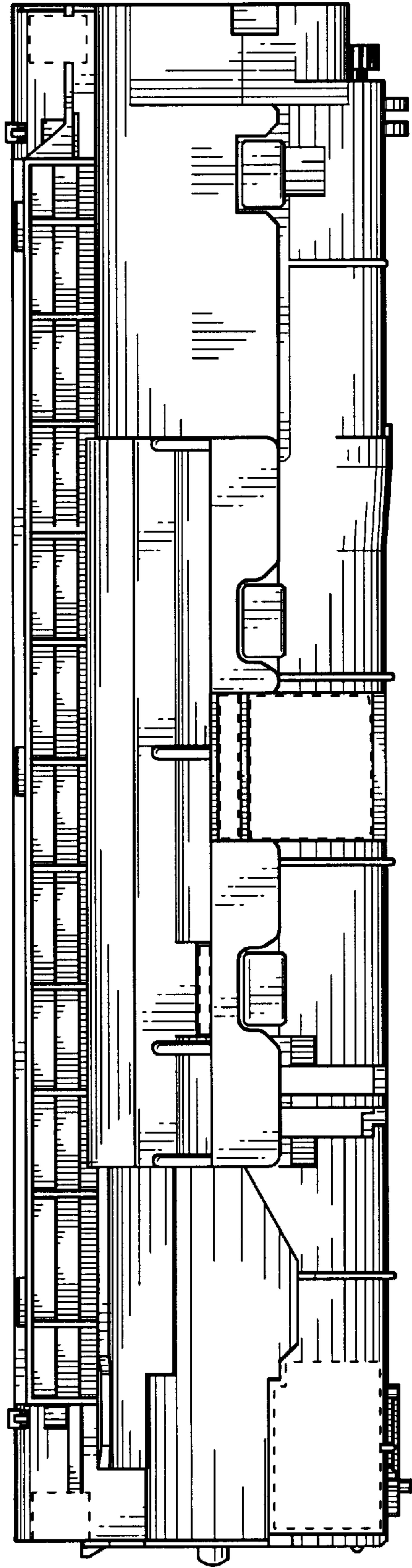


Fig. 2

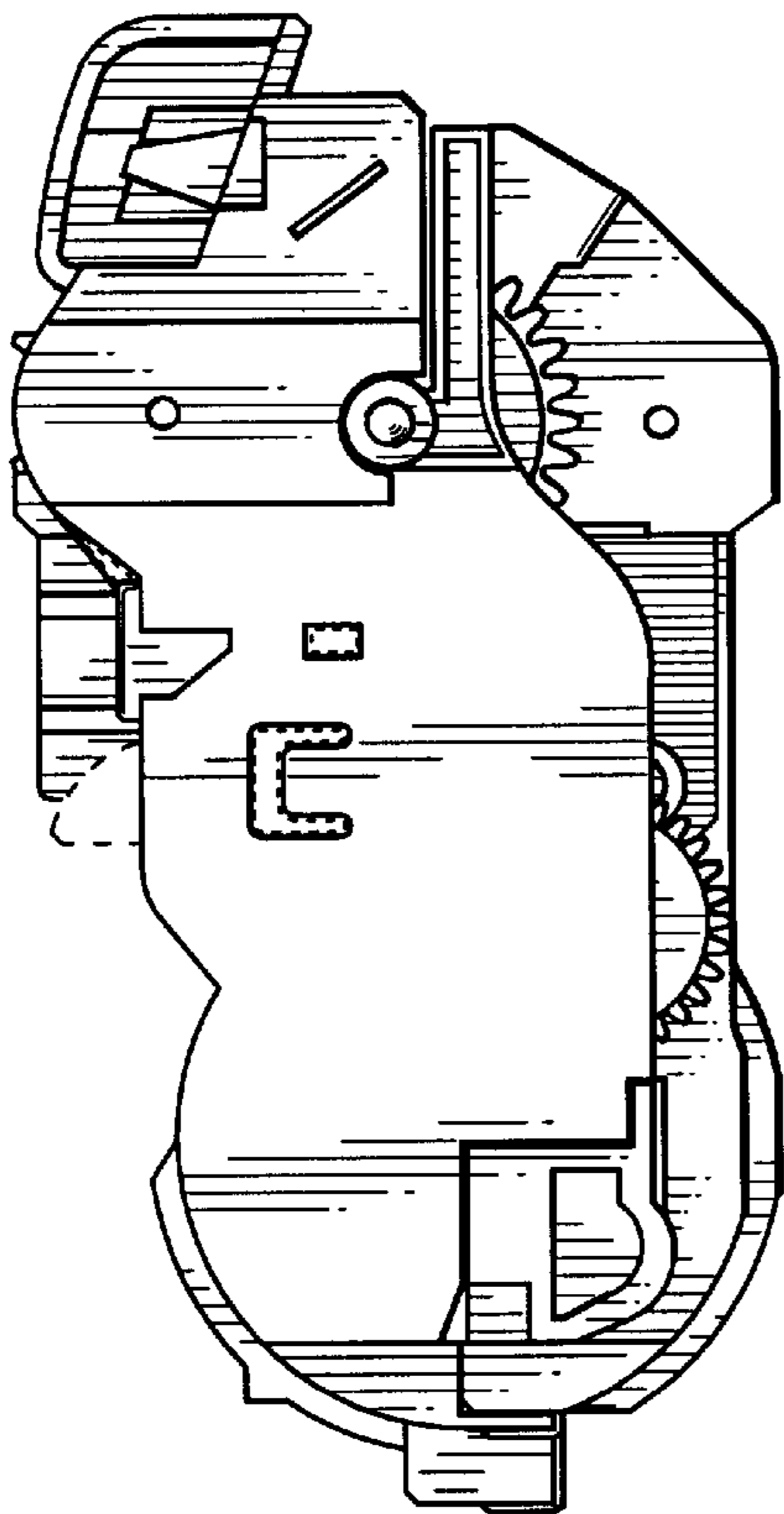


Fig. 3

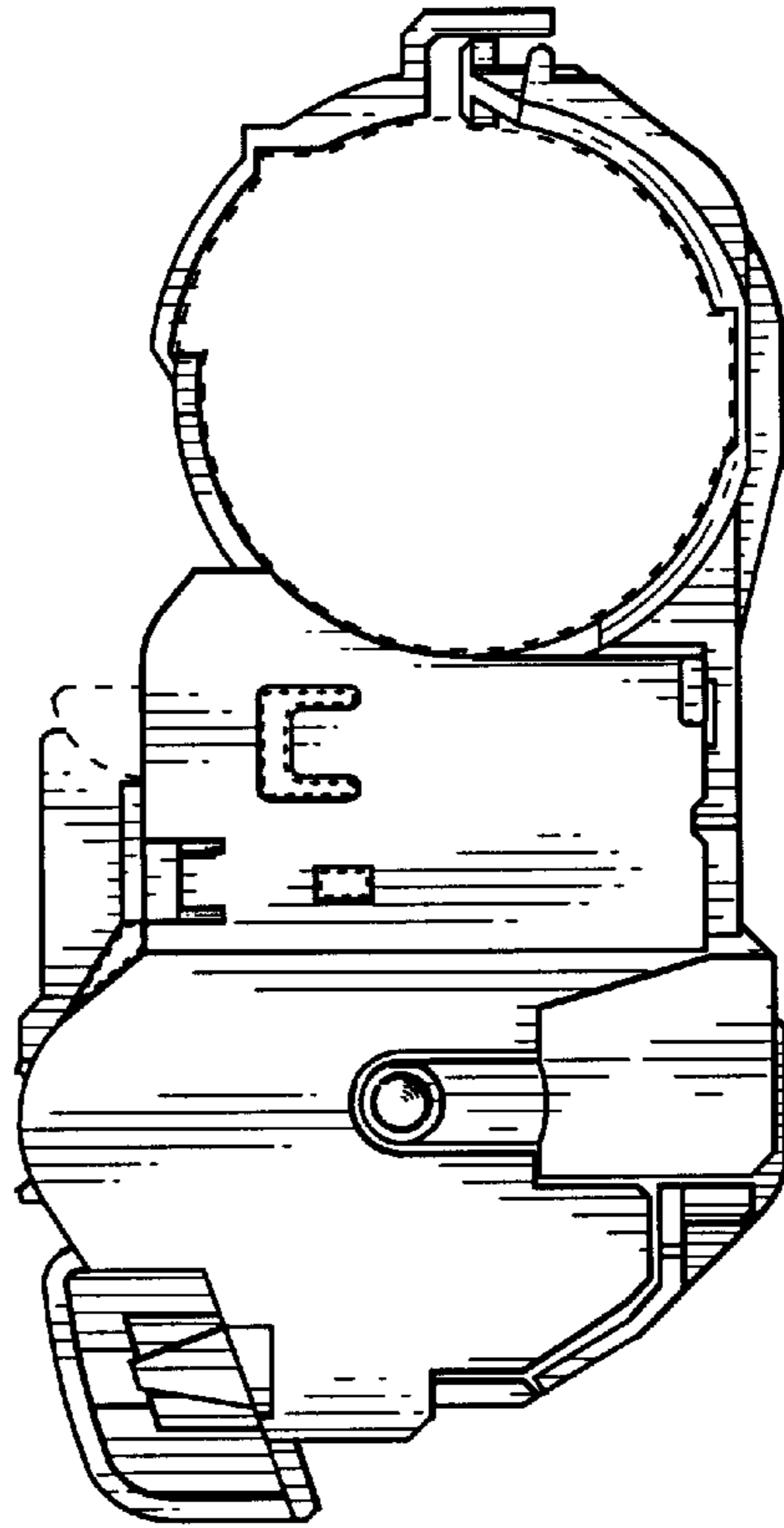


Fig. 4

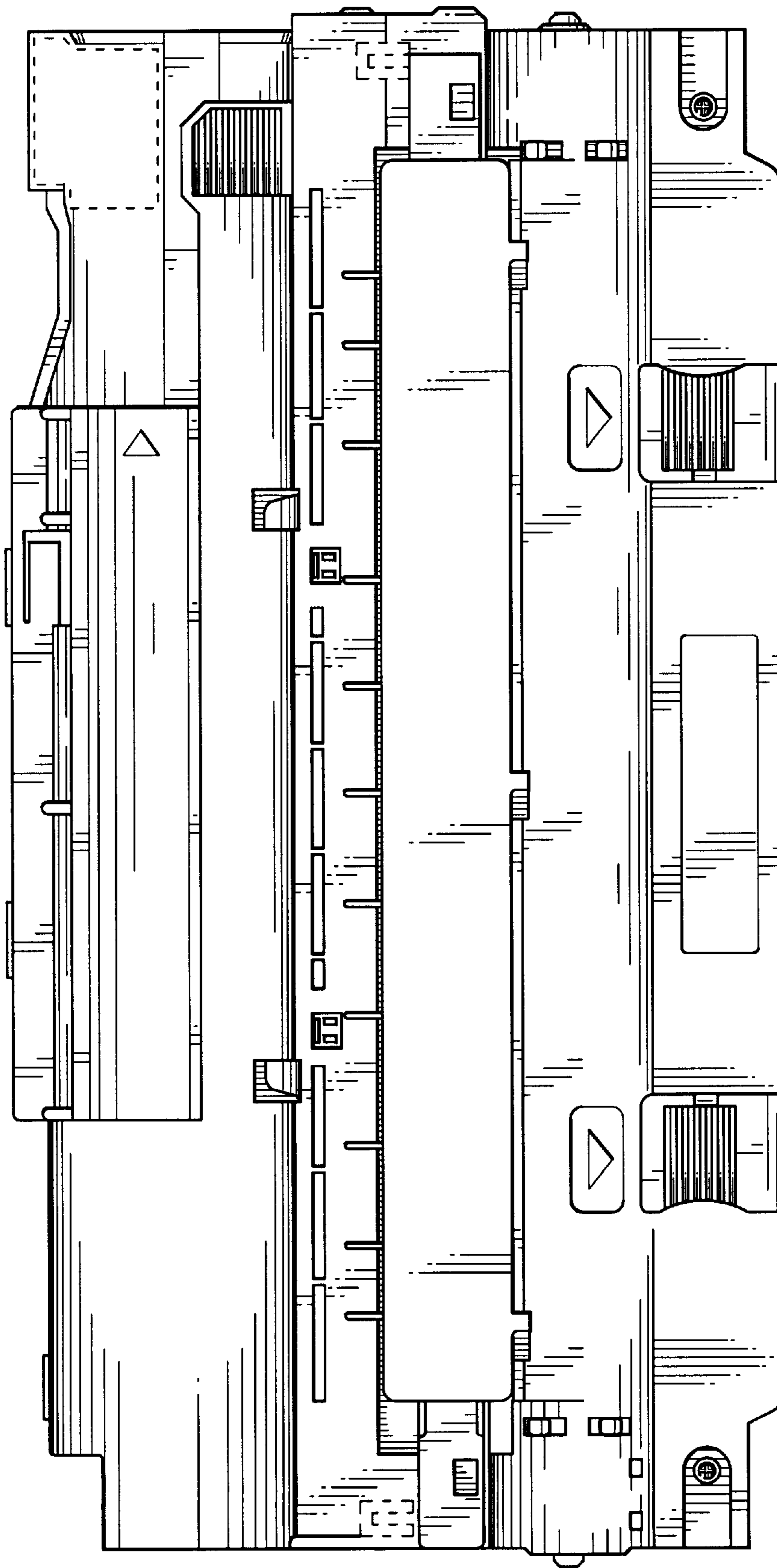


Fig. 5

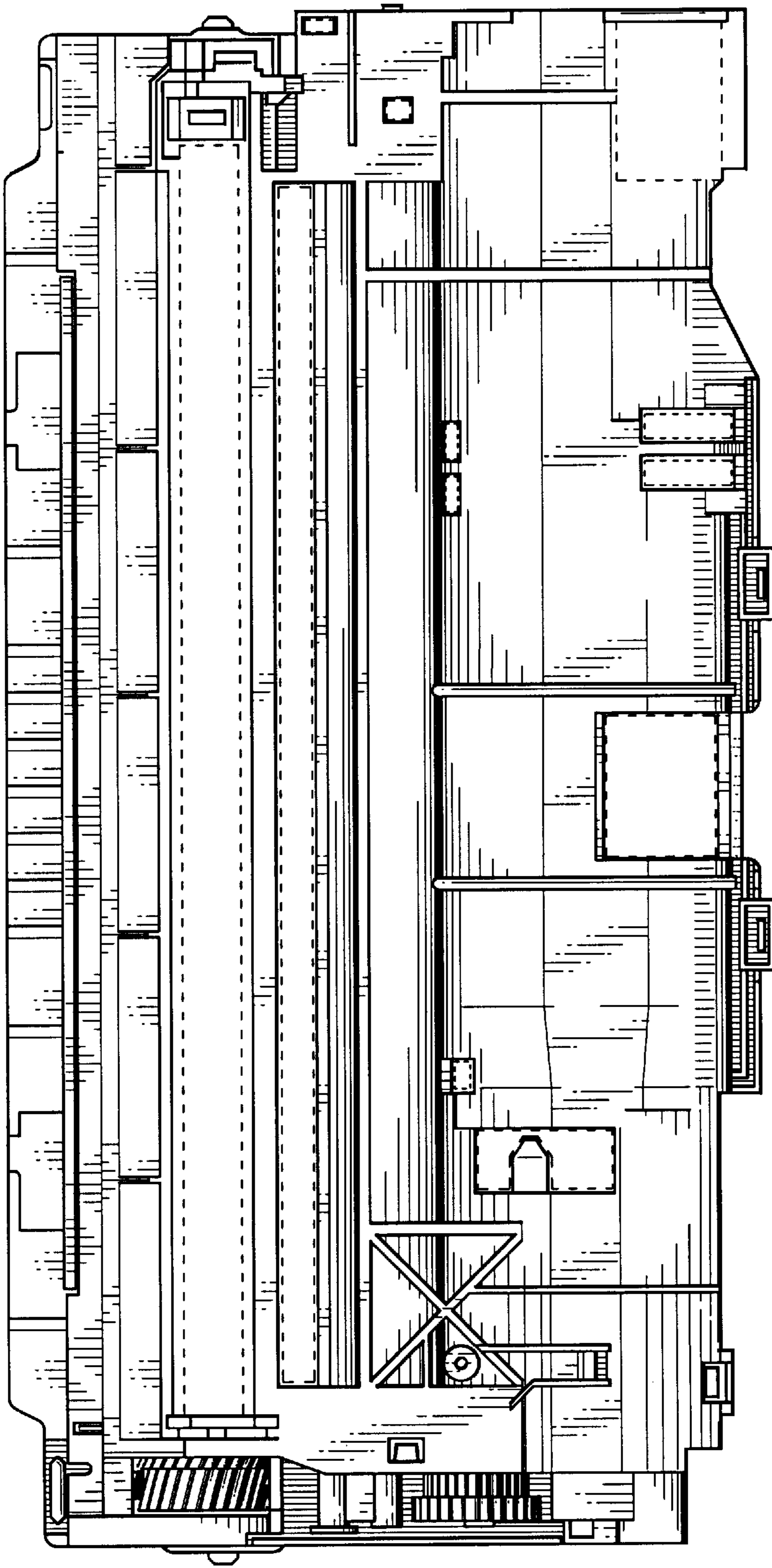


Fig. 6

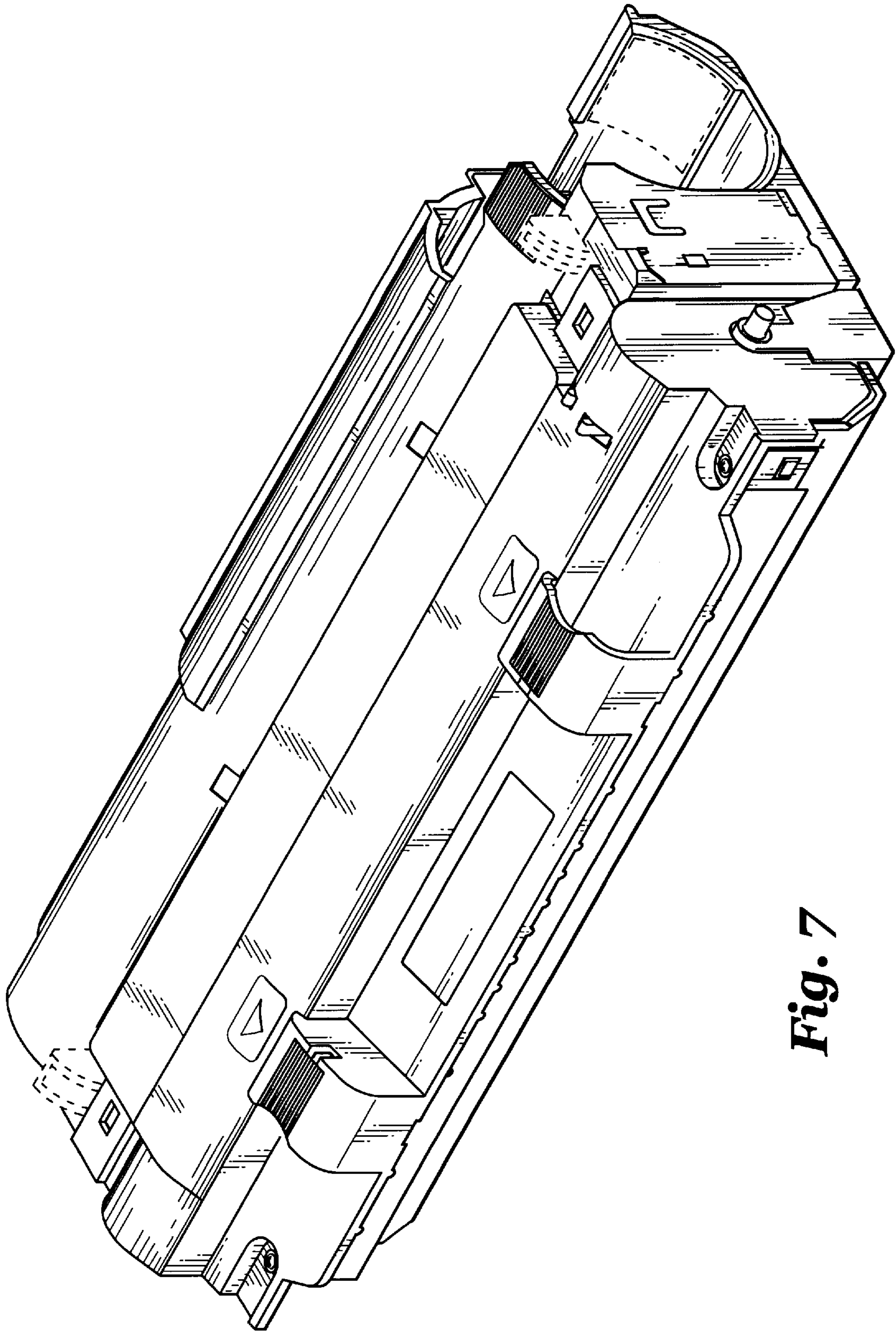


Fig. 7

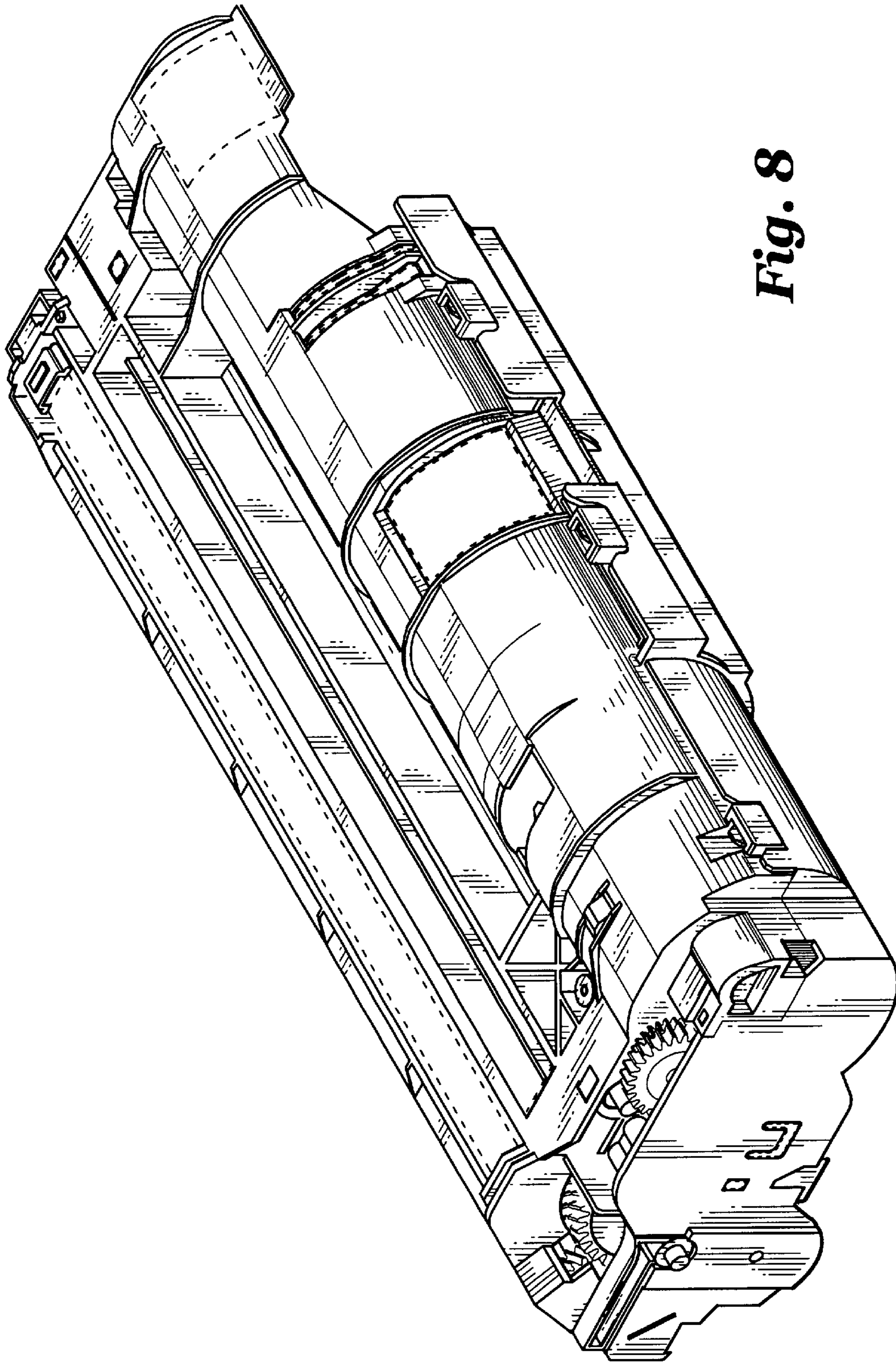


Fig. 8