



US00D487105S

(12) **United States Design Patent**
Takahashi

(10) **Patent No.:** **US D487,105 S**

(45) **Date of Patent:** **** Feb. 24, 2004**

(54) **DIGITAL SINGLE-LENS REFLEX CAMERA BODY**

(75) Inventor: **Jun Takahashi**, Hachioji (JP)

(73) Assignee: **Olympus Corporation**, Tokyo (JP)

(**) Term: **14 Years**

(21) Appl. No.: **29/171,176**

(22) Filed: **Nov. 18, 2002**

(30) **Foreign Application Priority Data**

Aug. 27, 2002	(JP)	2002-022924
Aug. 27, 2002	(JP)	2002-022925
Aug. 27, 2002	(JP)	2002-022926
Aug. 27, 2002	(JP)	2002-022927

(51) **LOC (7) Cl.** **16-01**

(52) **U.S. Cl.** **D16/217; D16/202**

(58) **Field of Search** **D16/200–206, D16/208, 209, 216, 217, 218; 396/354–359, 535–541; 348/373–376**

(56) **References Cited**

U.S. PATENT DOCUMENTS

D294,590 S * 3/1988 Goto D16/217

D317,929 S	*	7/1991	Tanaka et al.	D16/217
6,311,022 B2	*	10/2001	Hori	396/355
D451,940 S	*	12/2001	Haga	D16/217
6,351,609 B1	*	2/2002	Hosokawa et al.	396/177

* cited by examiner

Primary Examiner—Adir Aronovich

(74) *Attorney, Agent, or Firm*—Hogan & Hartson, LLP

(57) **CLAIM**

The ornamental design for a digital single-lens reflex camera body, as shown and described.

DESCRIPTION

FIG. 1 is a front and right side perspective view of a digital single-lens camera body showing my new design;
 FIG. 2 is a rear and left side perspective view thereof;
 FIG. 3 is a front elevational view thereof;
 FIG. 4 is a rear elevational view thereof;
 FIG. 5 is a top plan view thereof;
 FIG. 6 is a bottom plan view thereof;
 FIG. 7 is a right side elevational view thereof; and,
 FIG. 8 is a left side elevational view thereof.

1 Claim, 5 Drawing Sheets

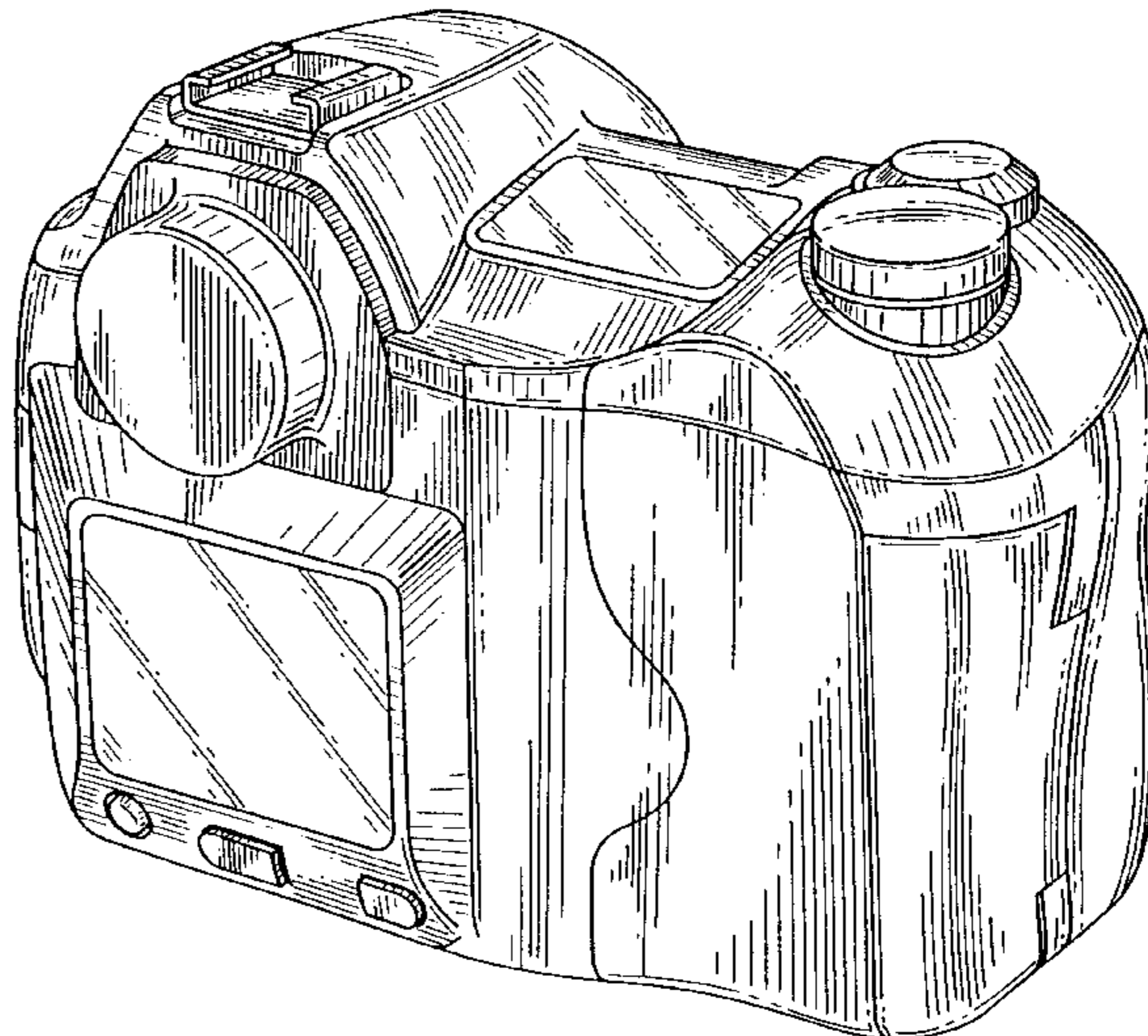
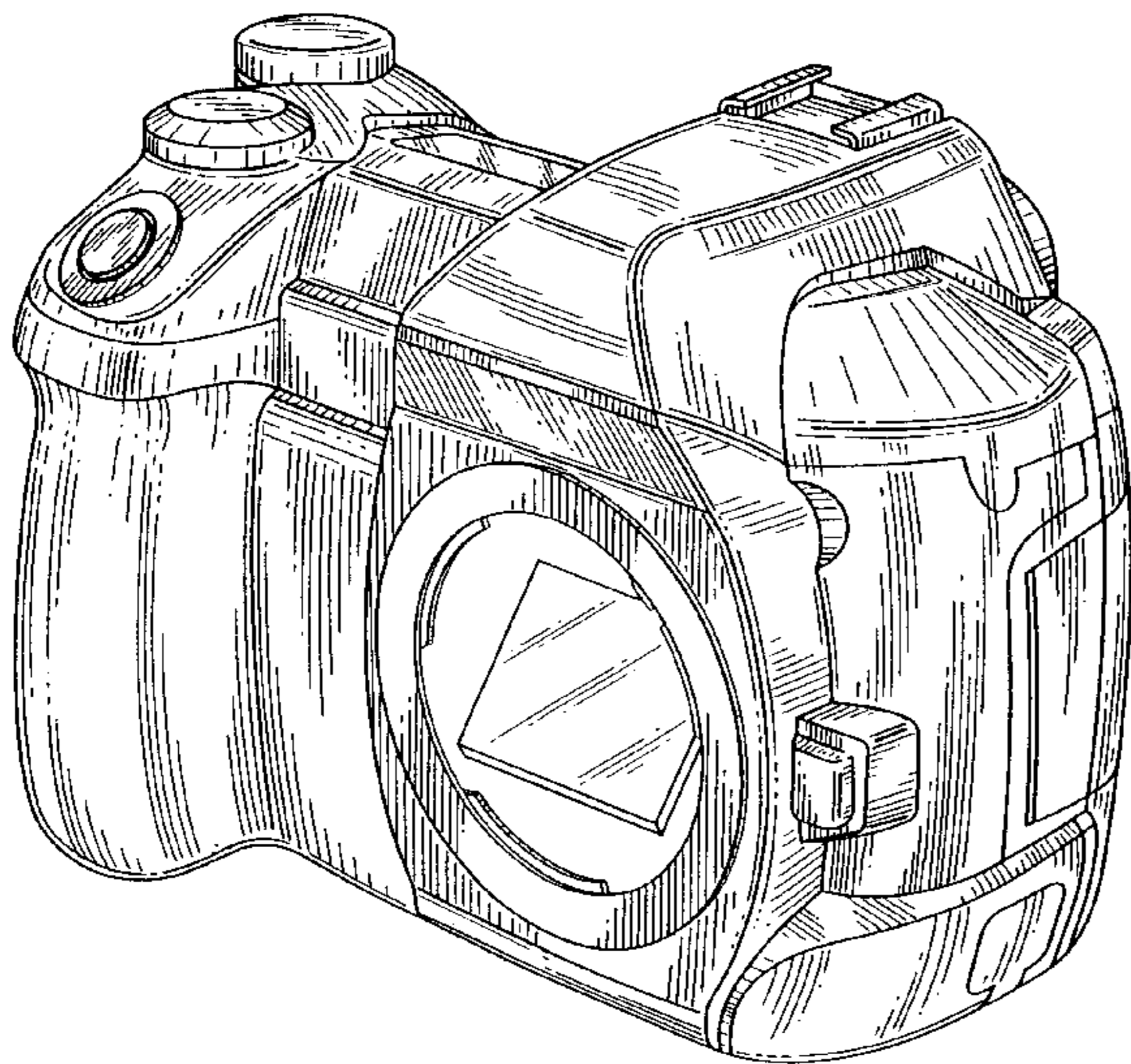


FIG.1

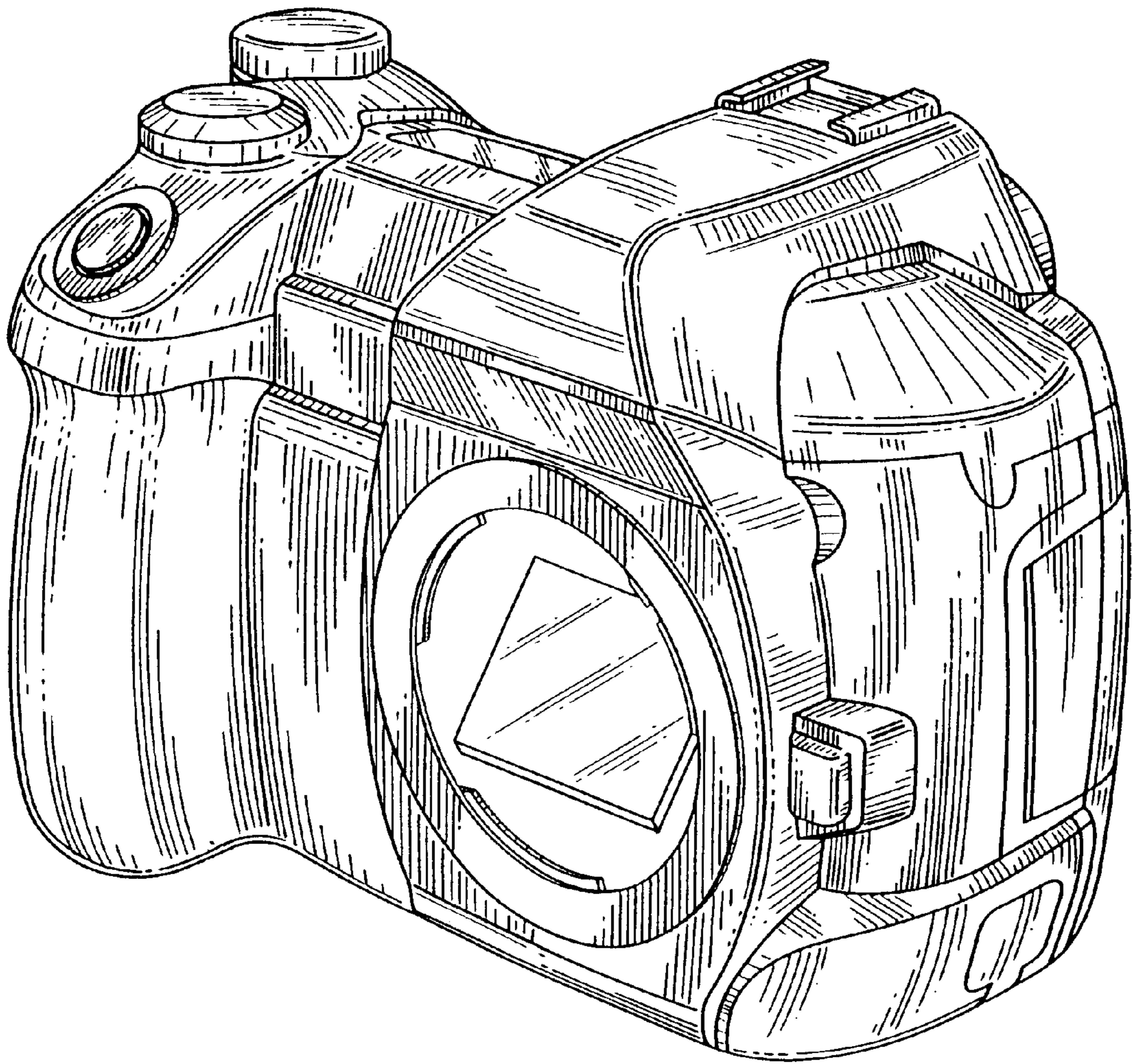


FIG.2

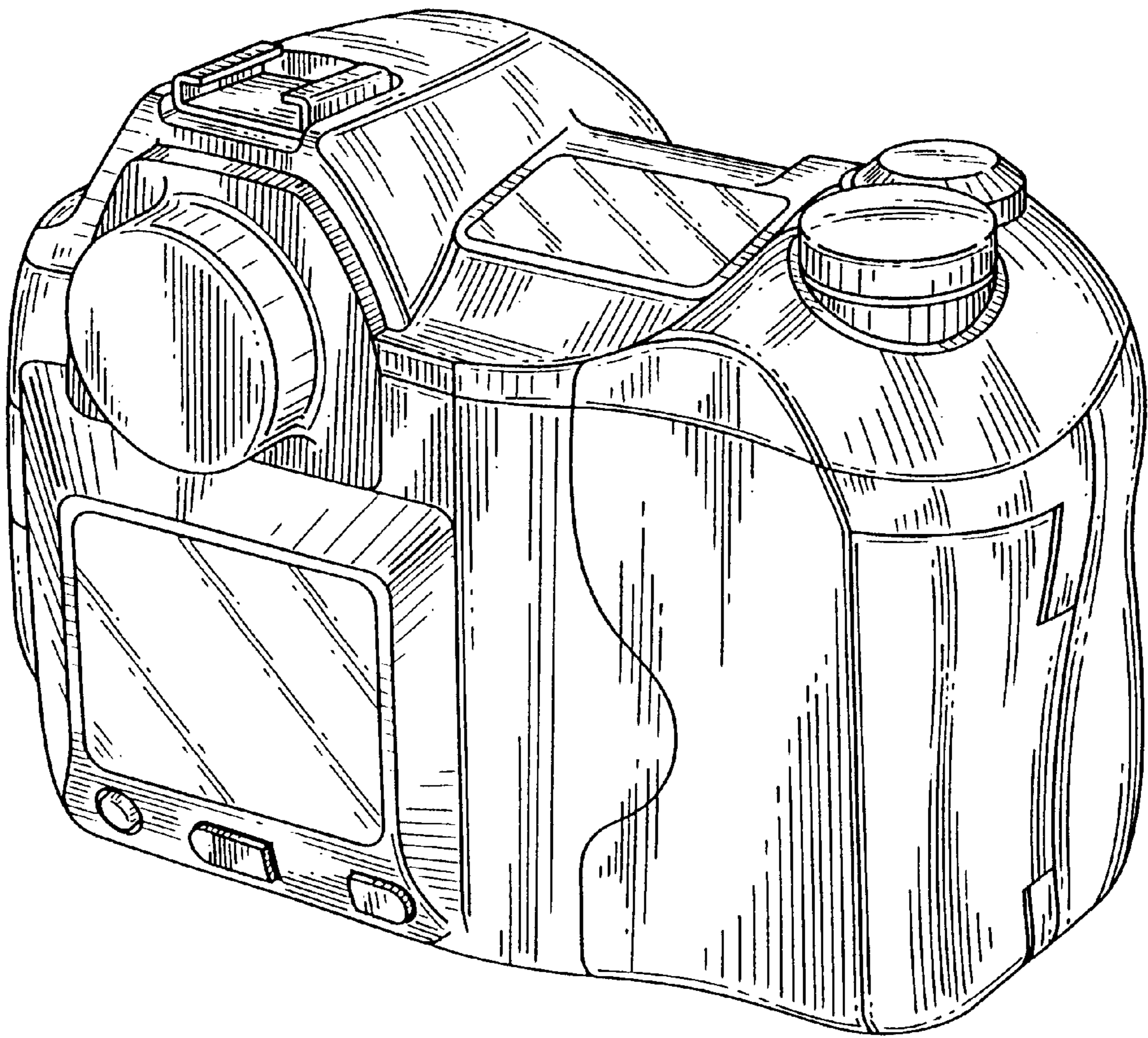


FIG.3

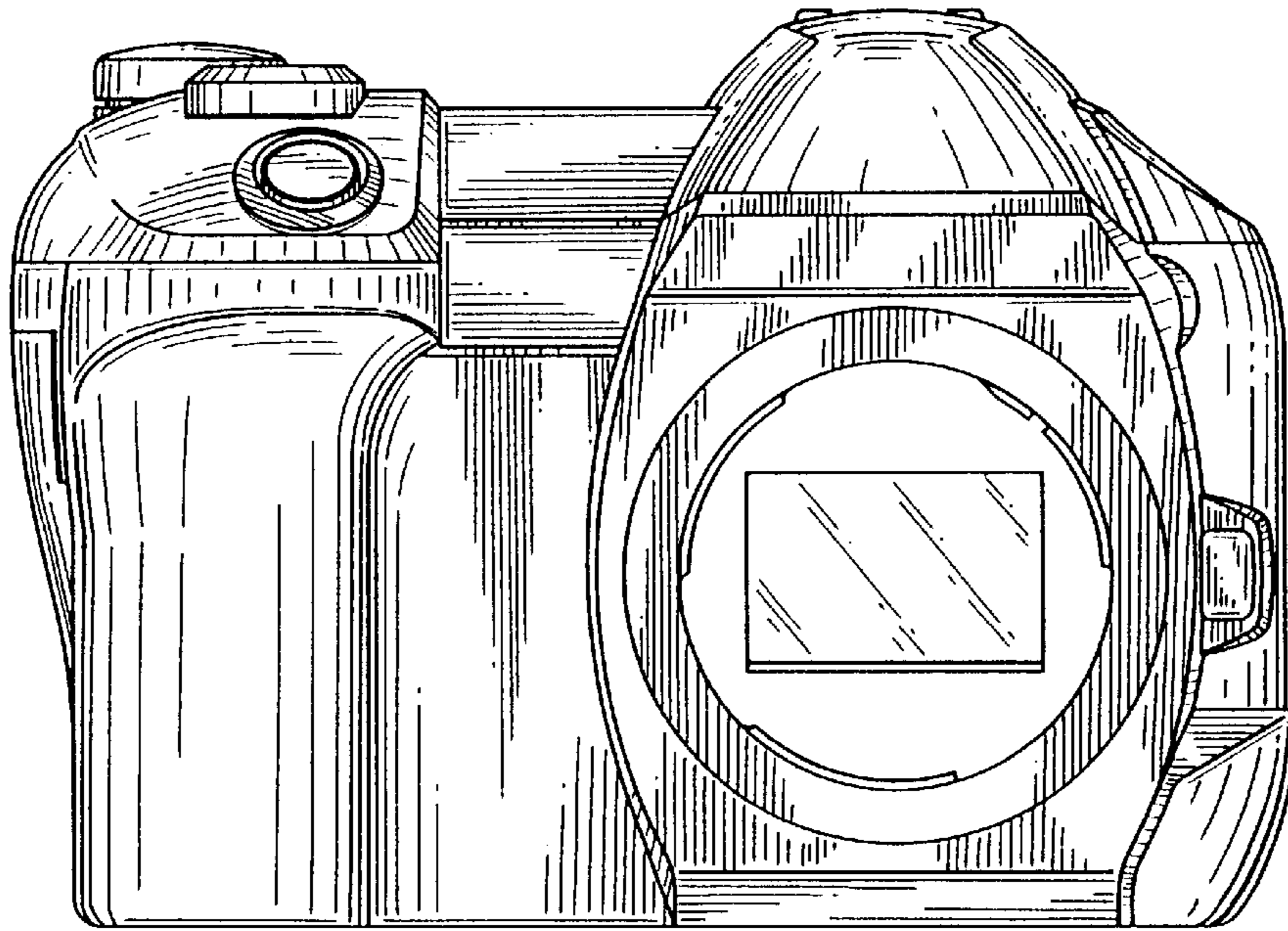


FIG.4

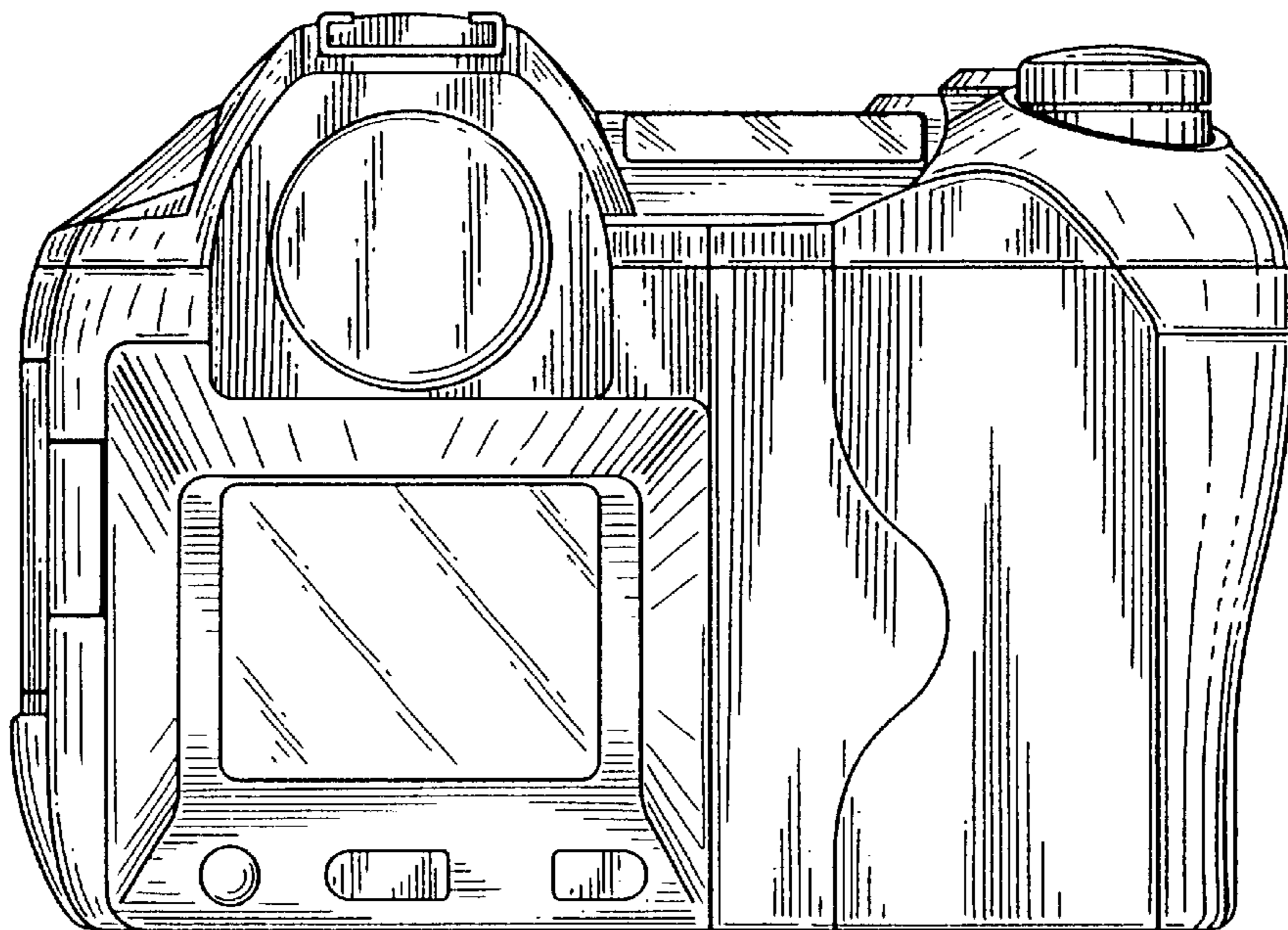


FIG.5

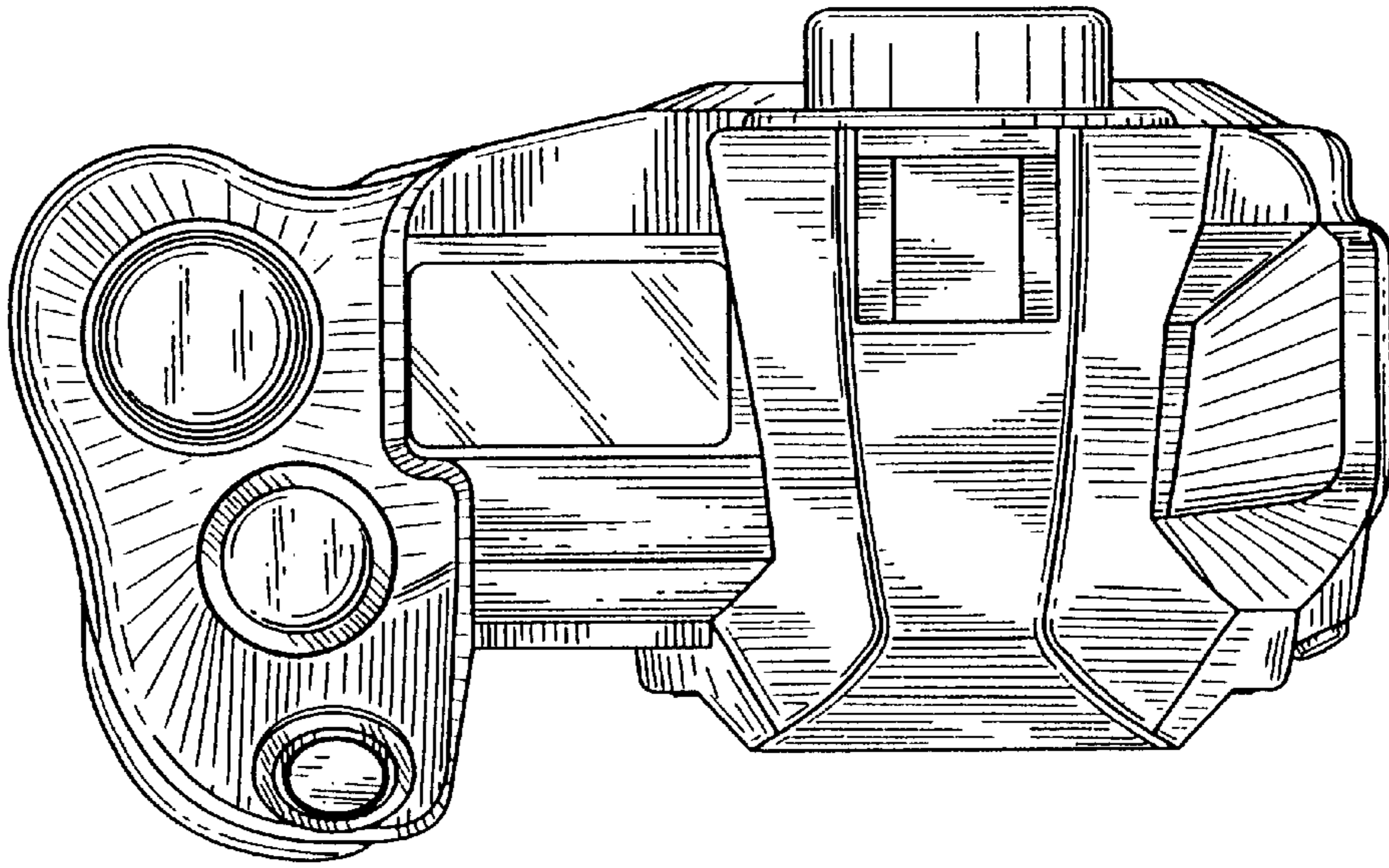


FIG.6

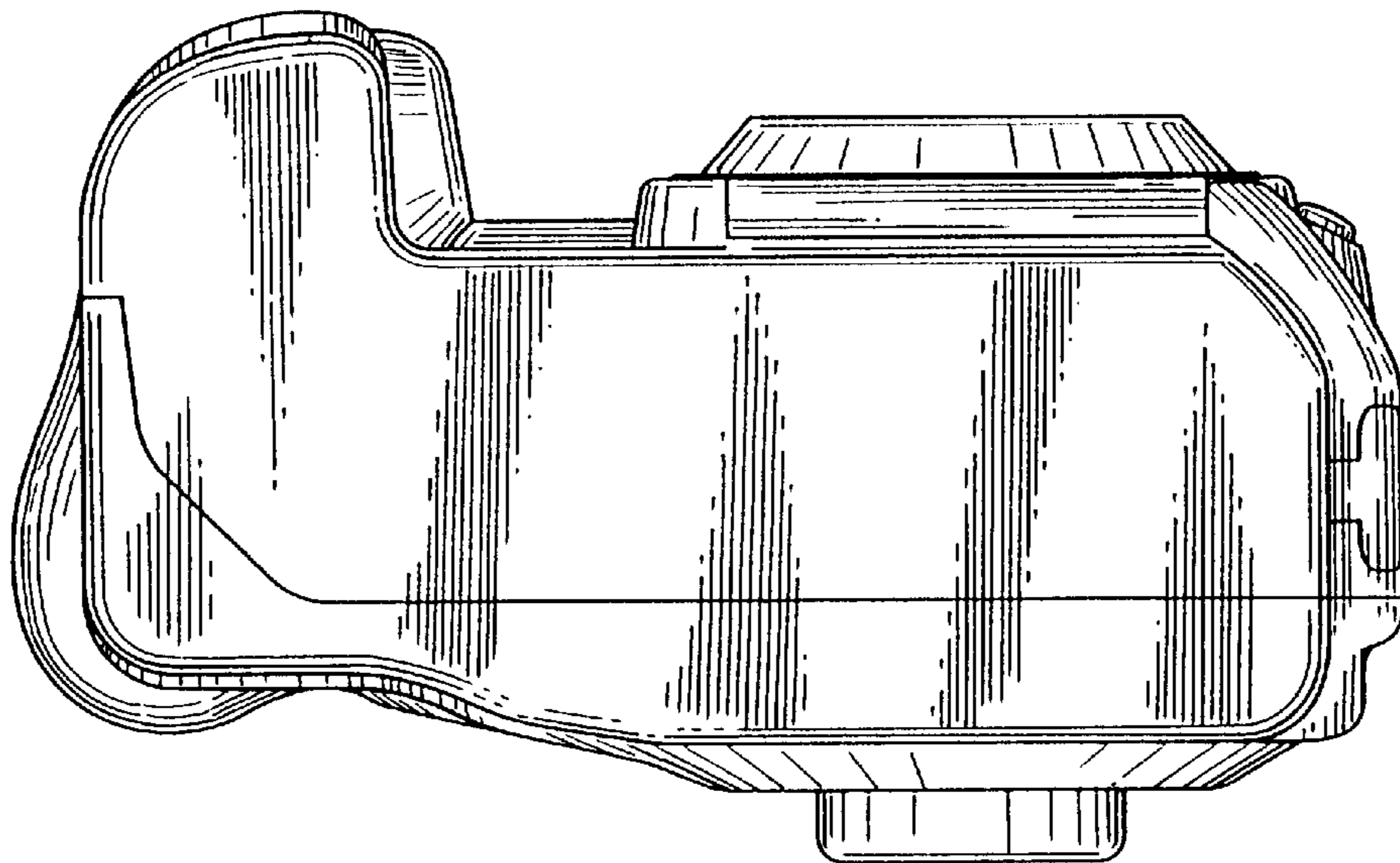


FIG.7

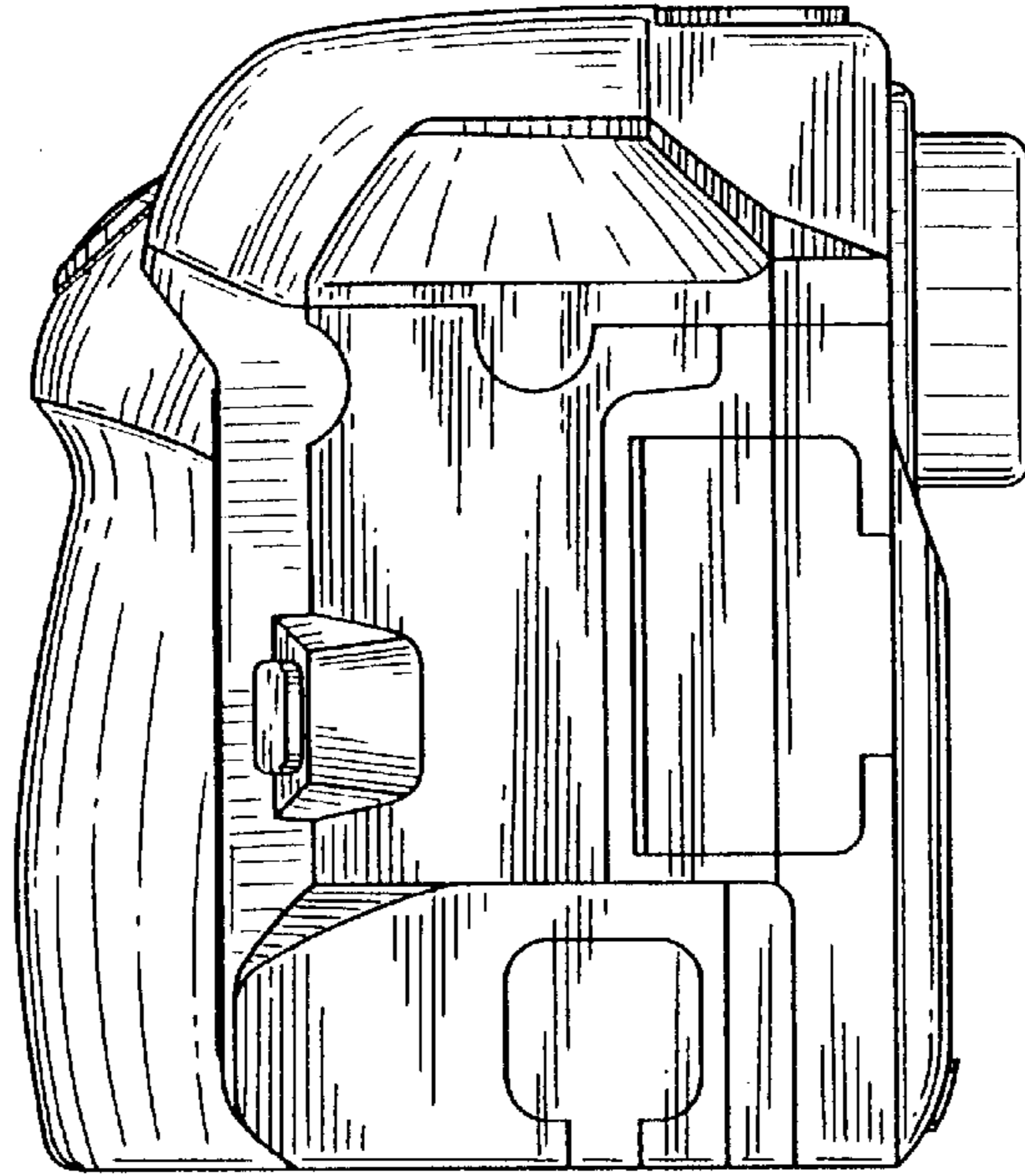


FIG.8

