



US00D487104S

(12) **United States Design Patent**
Obata

(10) **Patent No.:** **US D487,104 S**

(45) **Date of Patent:** **** Feb. 24, 2004**

(54) **COMBINED ELECTRONIC STILL CAMERA
AND RECORDER/PLAYER FOR
RECORDING MEDIA**

D449,628 S 10/2001 Obata et al. D16/202
D456,020 S 4/2002 Obata et al. D14/336
D477,832 S * 7/2003 Suzuki D16/218

(75) Inventor: **Shinichi Obata**, Tokyo (JP)

* cited by examiner

(73) Assignee: **Sony Corporation**, Tokyo (JP)

Primary Examiner—Adir Aronovich

(**) Term: **14 Years**

(74) *Attorney, Agent, or Firm*—Rader, Fishman & Grauer
PLLC

(21) Appl. No.: **29/179,297**

(22) Filed: **Apr. 9, 2003**

(51) **LOC (7) Cl.** **16-01**

(52) **U.S. Cl.** **D16/202; D16/218**

(58) **Field of Search** D16/200–205,
D16/208, 209, 212, 213, 218; 348/373–376;
358/909.1; 396/535–541

(56) **References Cited**

U.S. PATENT DOCUMENTS

3,418,909 A * 12/1968 Rabinow D16/218
D425,924 S * 5/2000 Burchard et al. D16/218
D442,614 S * 5/2001 Sumita D16/202

(57) **CLAIM**

The ornamental design for a combined electronic still camera and recorder/player for recording media, as shown.

DESCRIPTION

FIG. 1 is a perspective view of a combined electronic still camera and recorder/player for recording media showing my new design;
FIG. 2 is a front elevational view thereof;
FIG. 3 is a rear elevational view thereof;
FIG. 4 is a left side elevational view thereof;
FIG. 5 is a right side elevational view thereof;
FIG. 6 is a top plan view thereof; and,
FIG. 7 is a bottom plan view thereof.

1 Claim, 4 Drawing Sheets

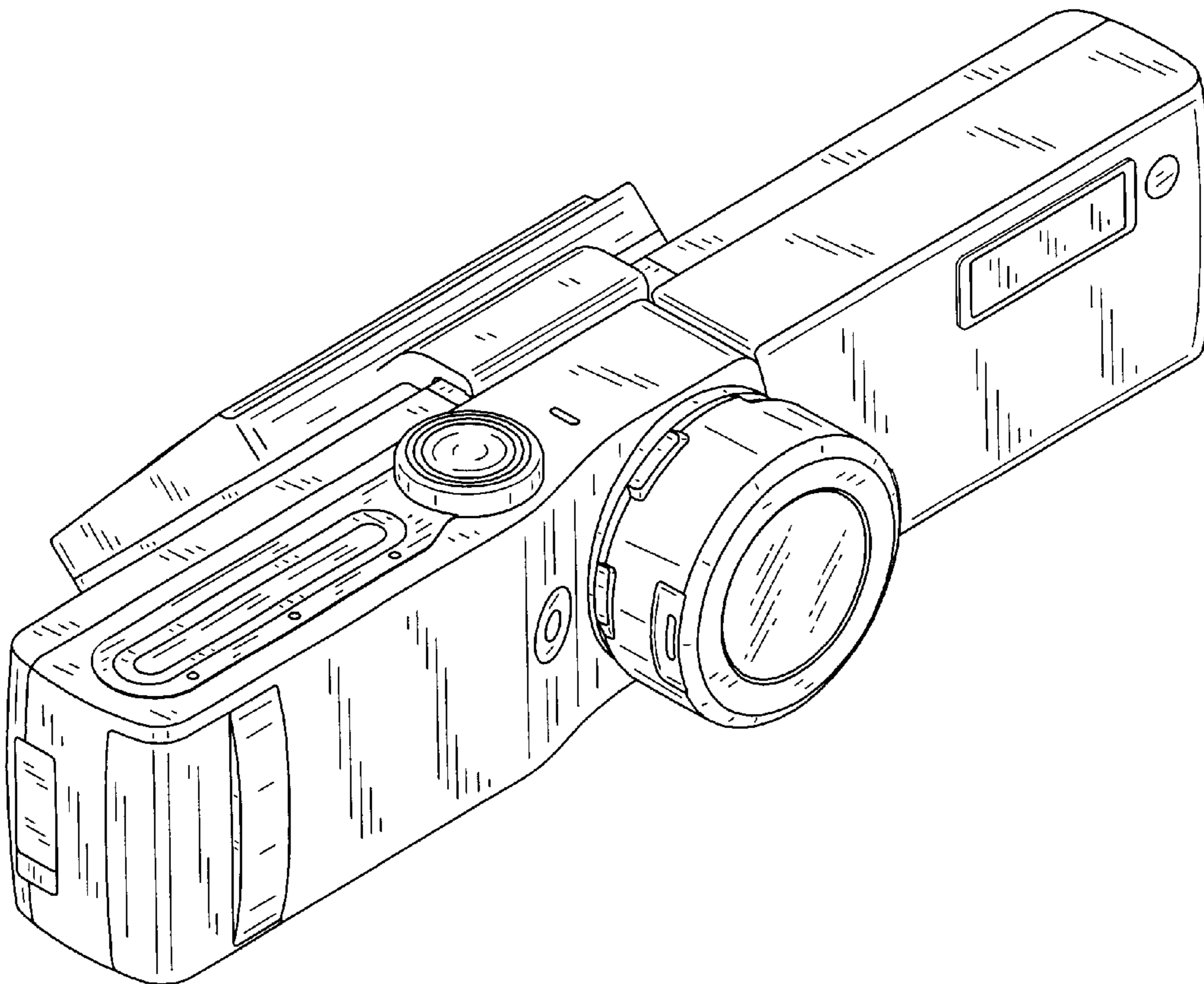


FIG. 1

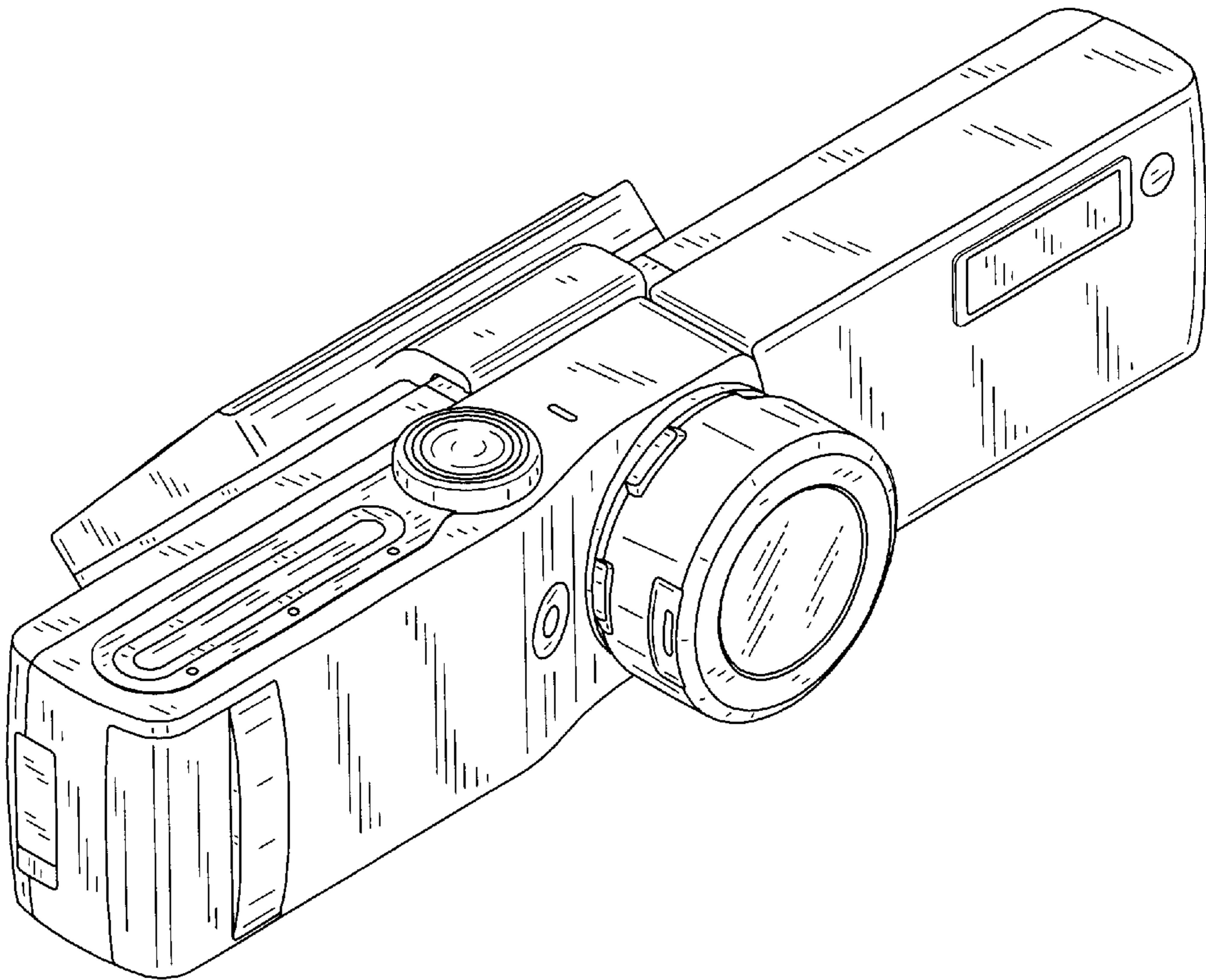


FIG. 2

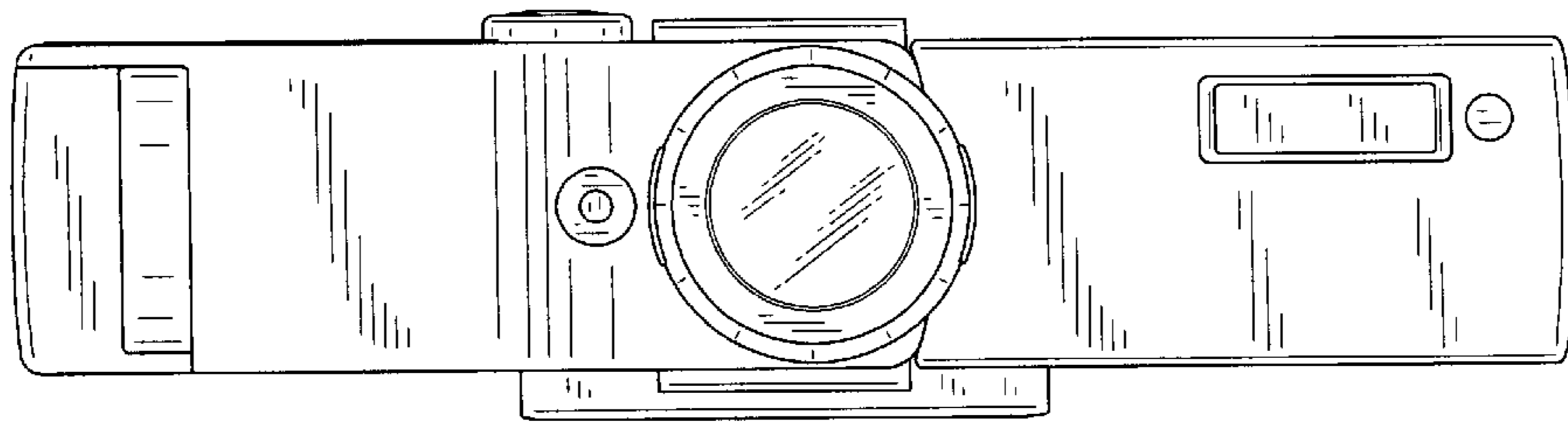


FIG. 3

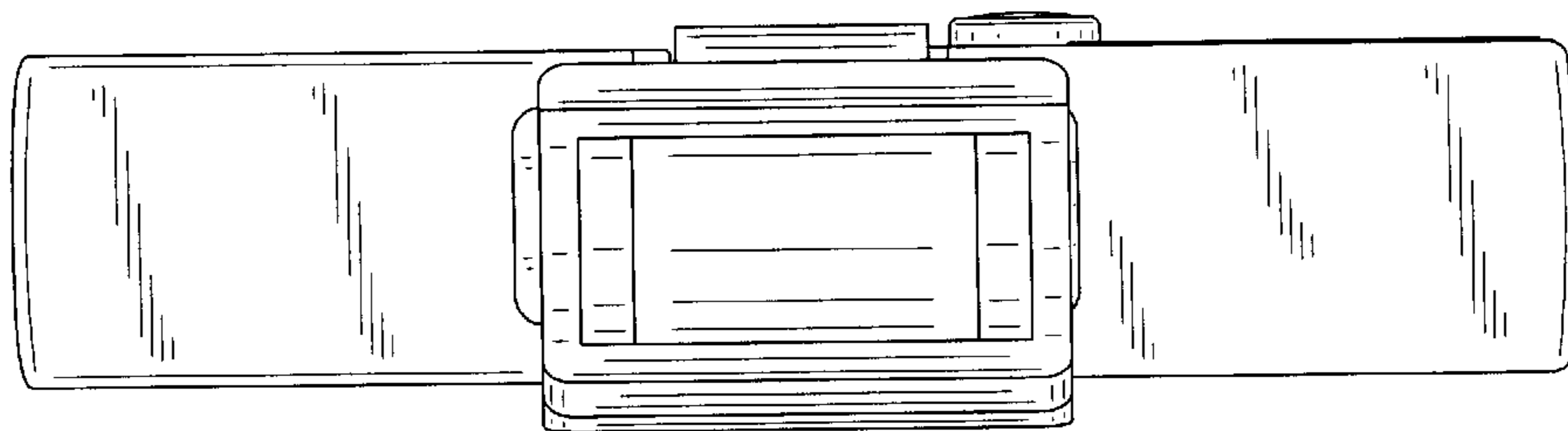


FIG. 4

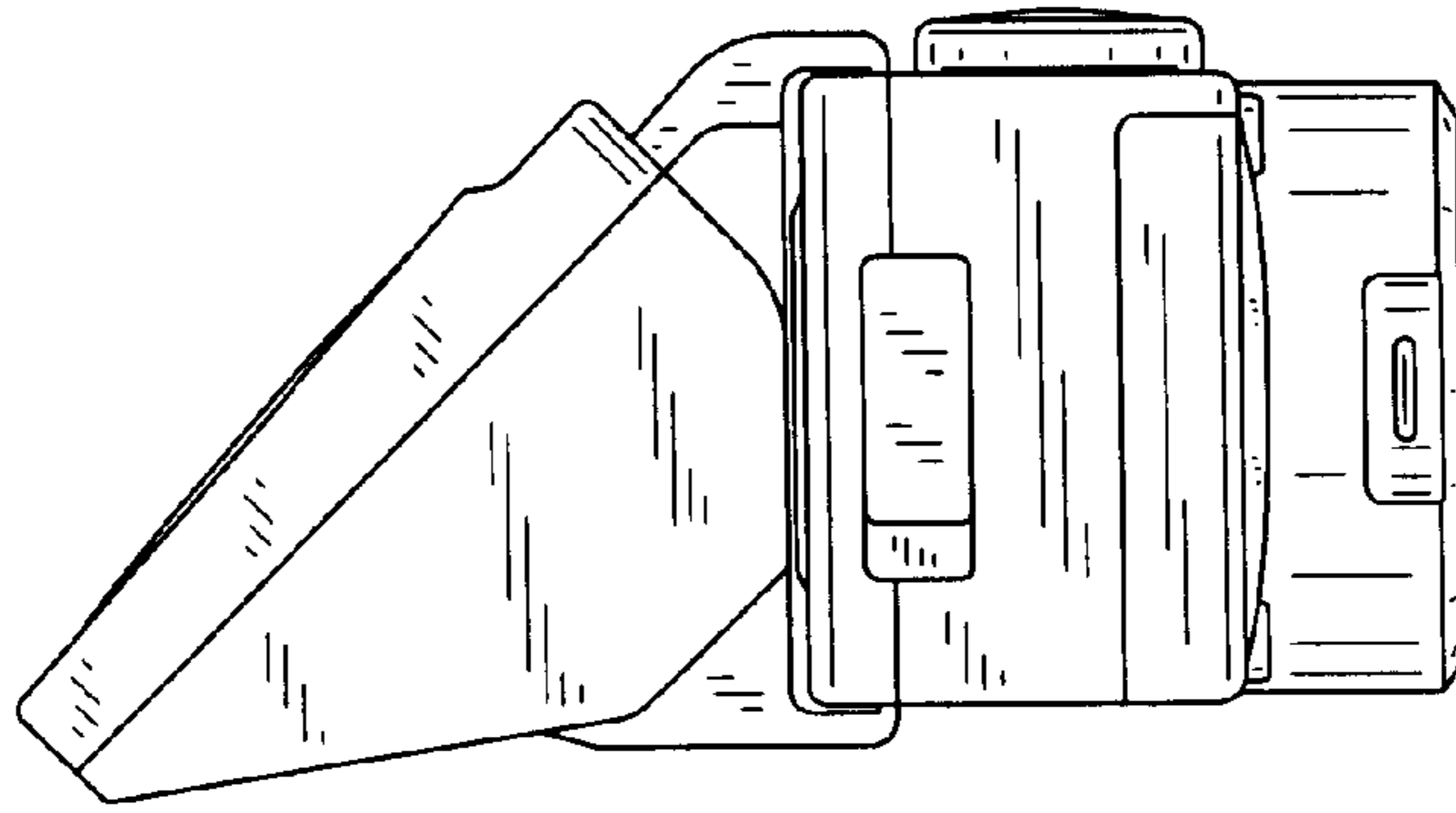


FIG. 5

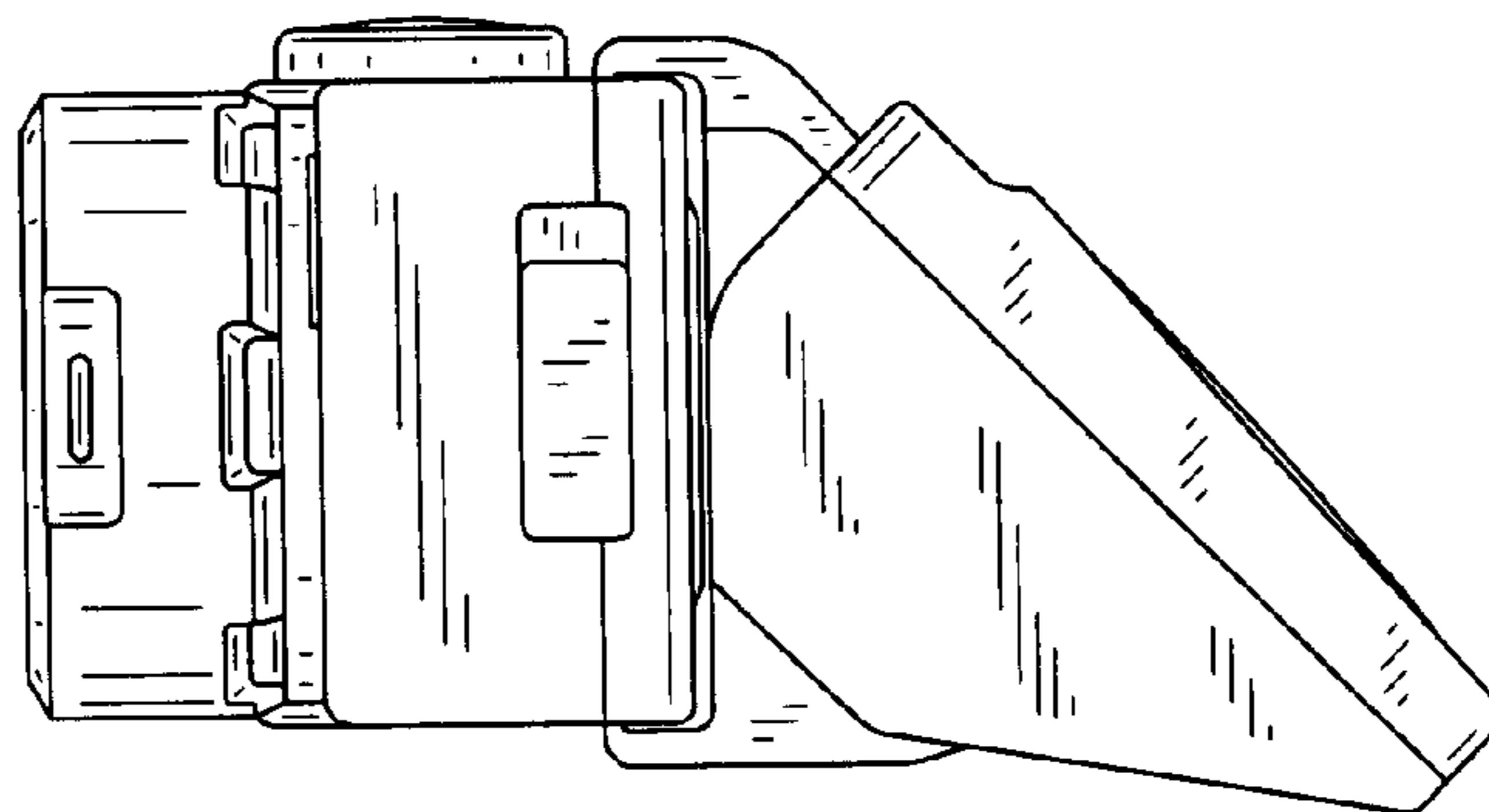


FIG. 6

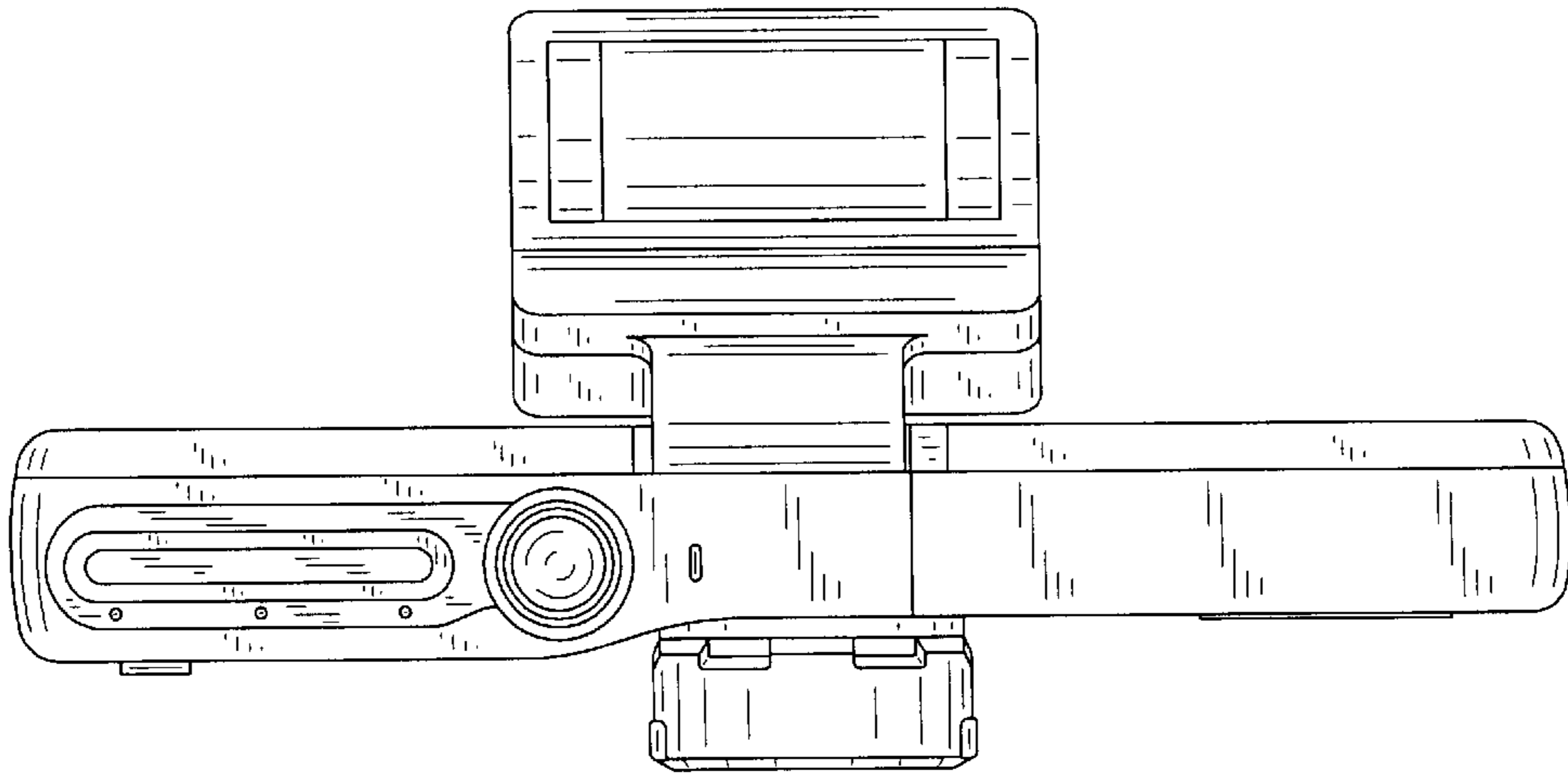


FIG. 7

