



US00D487103S

(12) **United States Design Patent**
Chin

(10) **Patent No.:** **US D487,103 S**

(45) **Date of Patent:** **** Feb. 24, 2004**

(54) **DIGITAL CAMERA FOR CELLULAR PHONE**

(75) Inventor: **Seo-Yong Chin**, Sunnam (KR)

(73) Assignee: **Infohand Company Limited**, Seoul (KR)

(**) Term: **14 Years**

(21) Appl. No.: **29/178,764**

(22) Filed: **Apr. 1, 2003**

(51) **LOC (7) Cl.** **16-01**

(52) **U.S. Cl.** **D16/202; D16/208; D16/218**

(58) **Field of Search** **D14/144, 240; D16/200, 202, 203, 204, 208, 209, 218; 348/373-376; 396/6, 7, 25, 535-541**

(56) **References Cited**

U.S. PATENT DOCUMENTS

5,576,781	A	*	11/1996	Deleeuw	396/6
D398,320	S	*	9/1998	Powell	D16/218
D426,251	S	*	6/2000	Wood	D16/218
D438,229	S	*	2/2001	Kawai	D16/218
D455,450	S	*	4/2002	Backs et al.	D16/218
D471,927	S	*	3/2003	Kim	D16/208

* cited by examiner

Primary Examiner—Adir Aronovich

(74) *Attorney, Agent, or Firm*—Robert E. Bushnell, Esq.

(57) **CLAIM**

The ornamental design for a digital camera for cellular phone, as shown and described.

DESCRIPTION

The claimed digital camera is used to take an image, which can be transmitted to a cellular phone or to a personal computer.

FIG. 1 is a front perspective view of a digital camera for cellular phone showing my new design;

FIG. 2 is a rear perspective view thereof;

FIG. 3 is a front view thereof;

FIG. 4 is a rear view thereof;

FIG. 5 is a top plan view thereof;

FIG. 6 is a bottom plan view thereof;

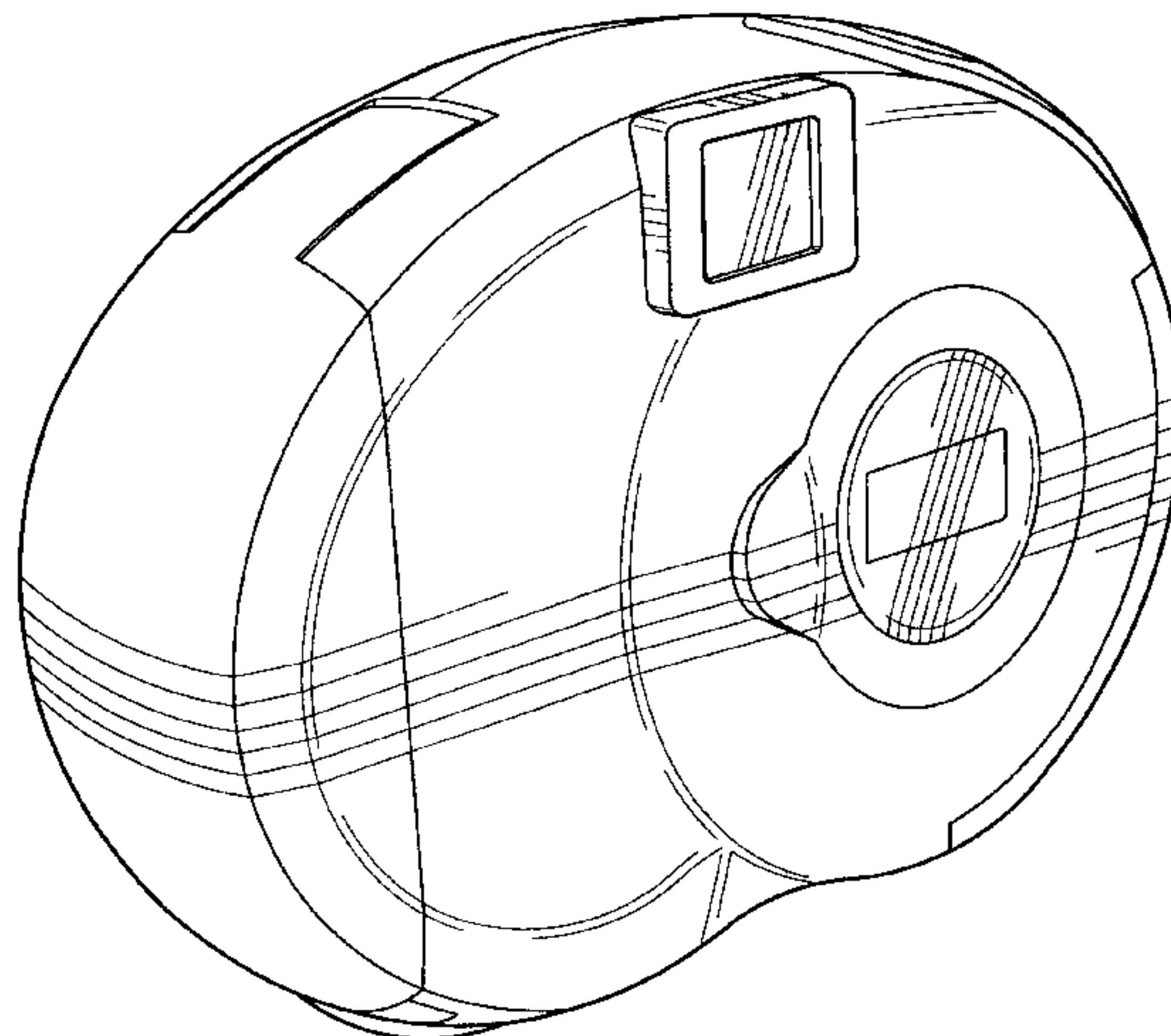
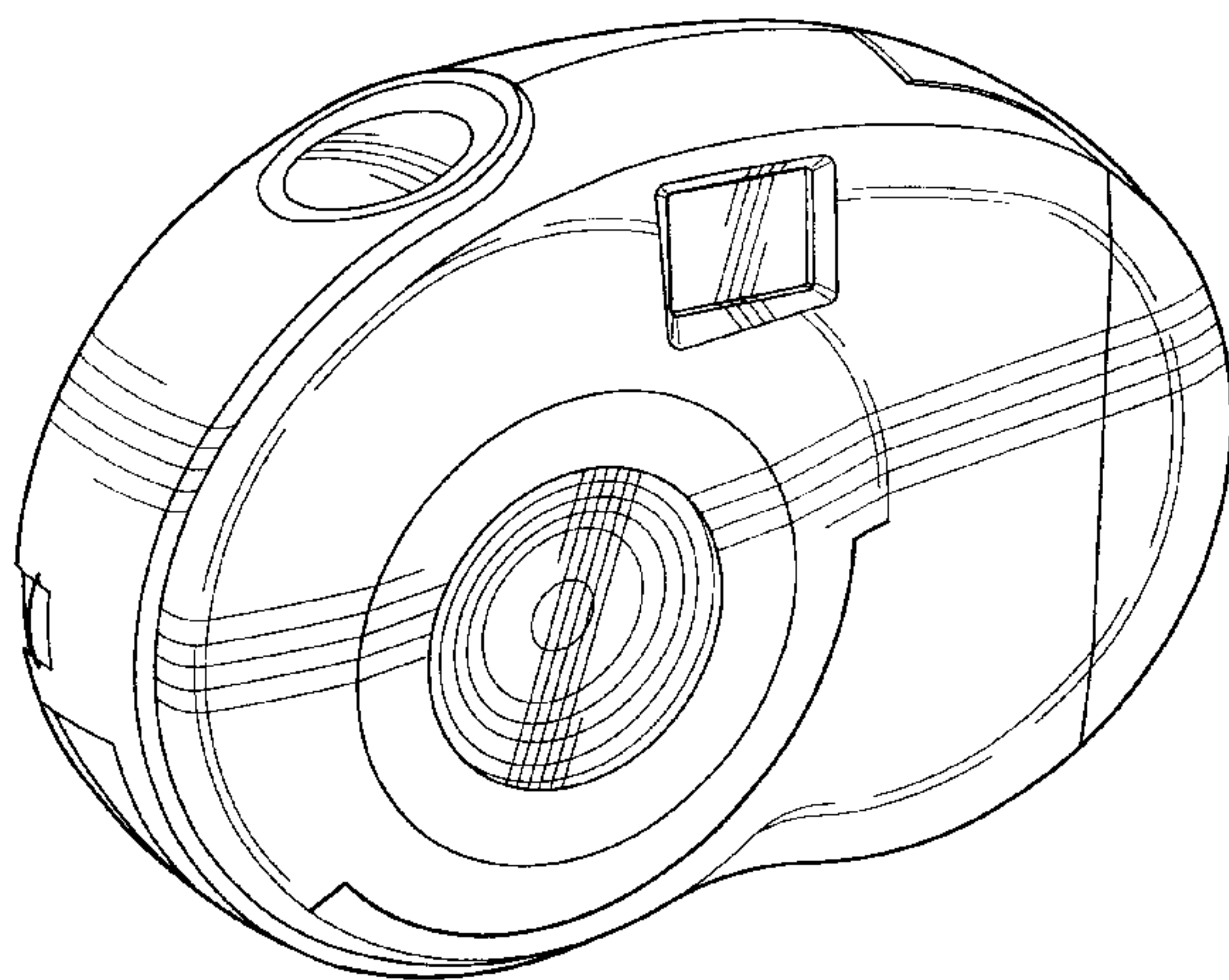
FIG. 7 is a left side view thereof;

FIG. 8 is a right side view thereof;

FIG. 9 is a front view thereof with protection cap opened for connection to a cellular phone; and,

FIG. 10 is a right side view thereof with protection cap opened.

1 Claim, 4 Drawing Sheets



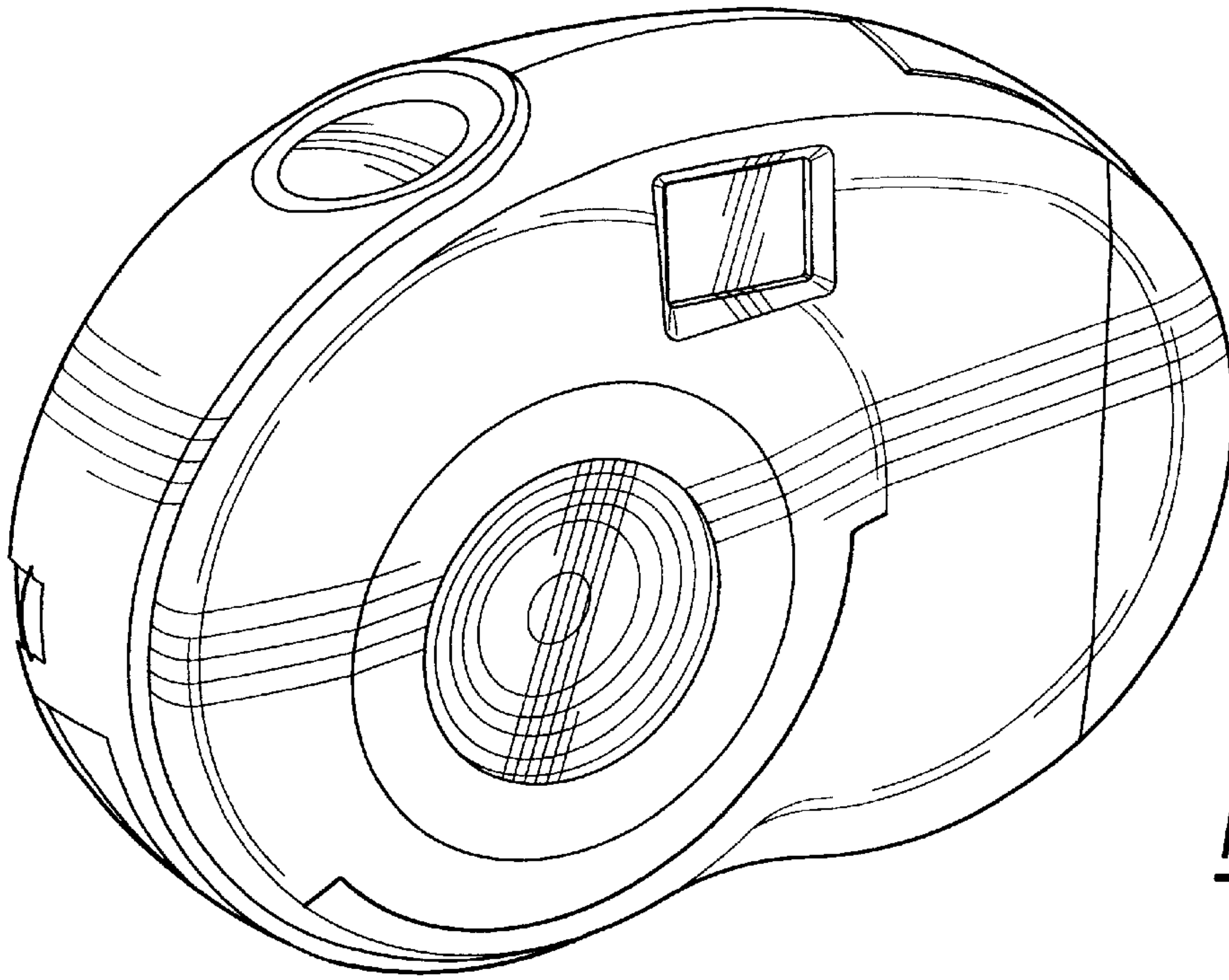


Fig-1

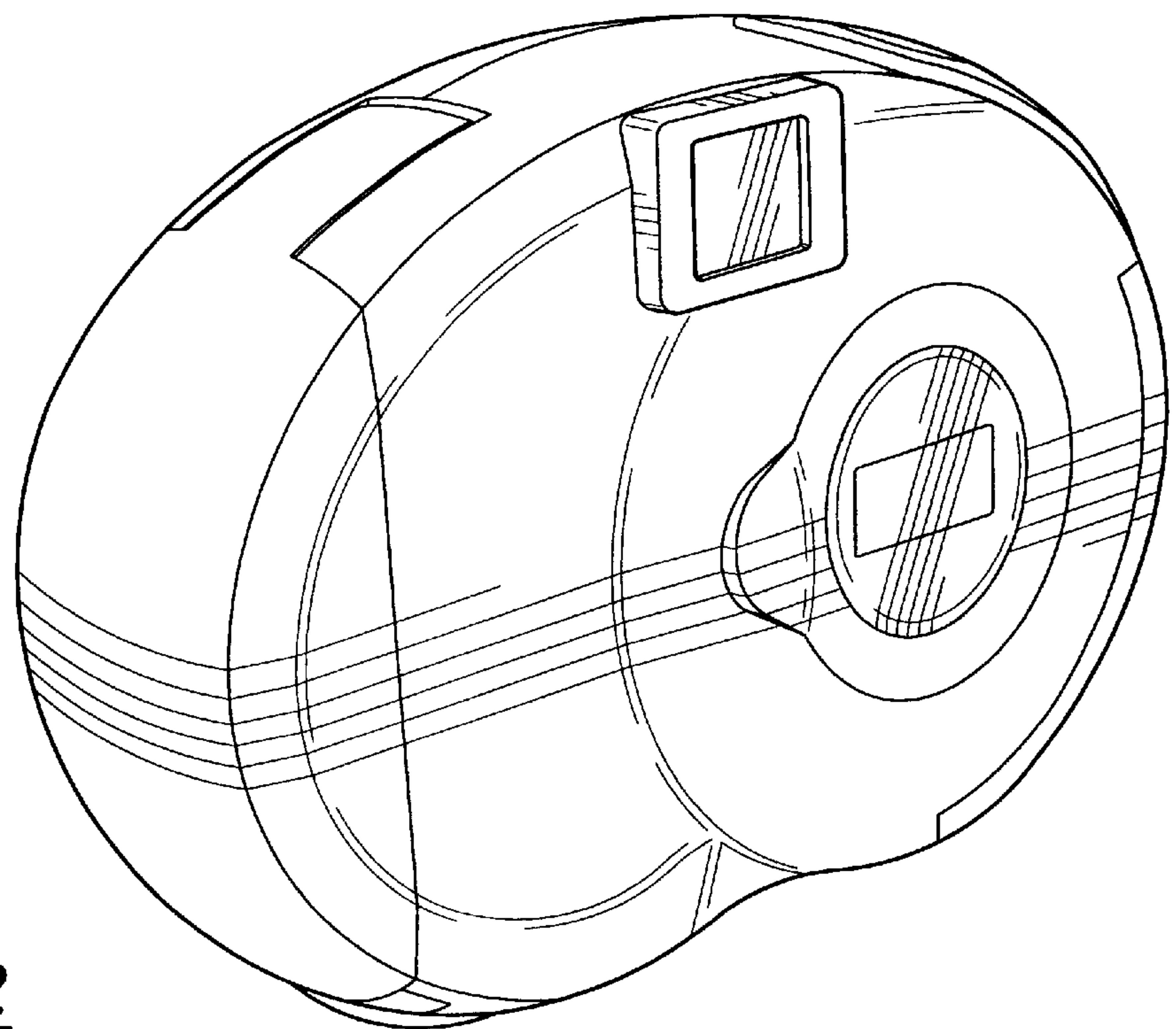


Fig-2

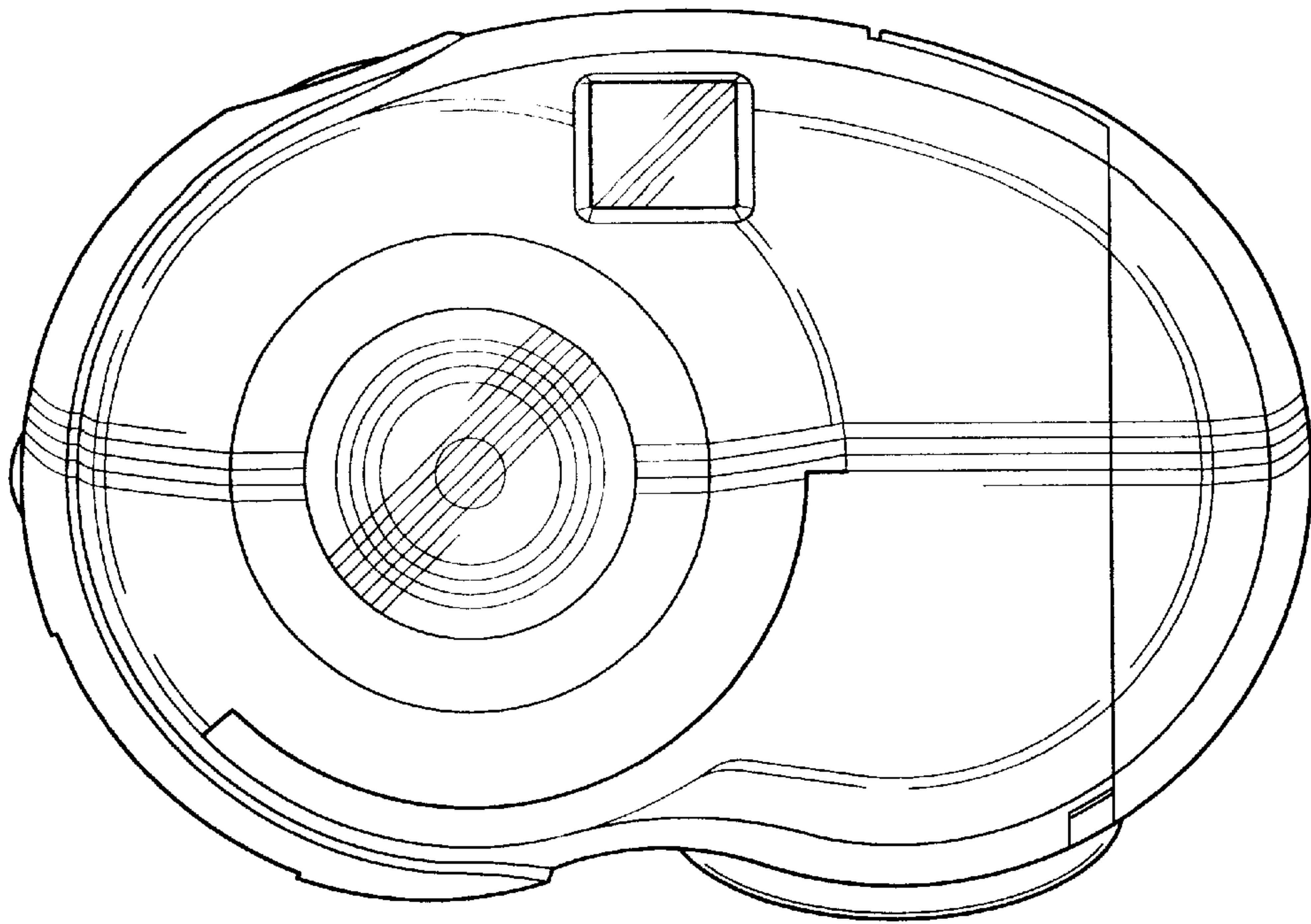


Fig-3

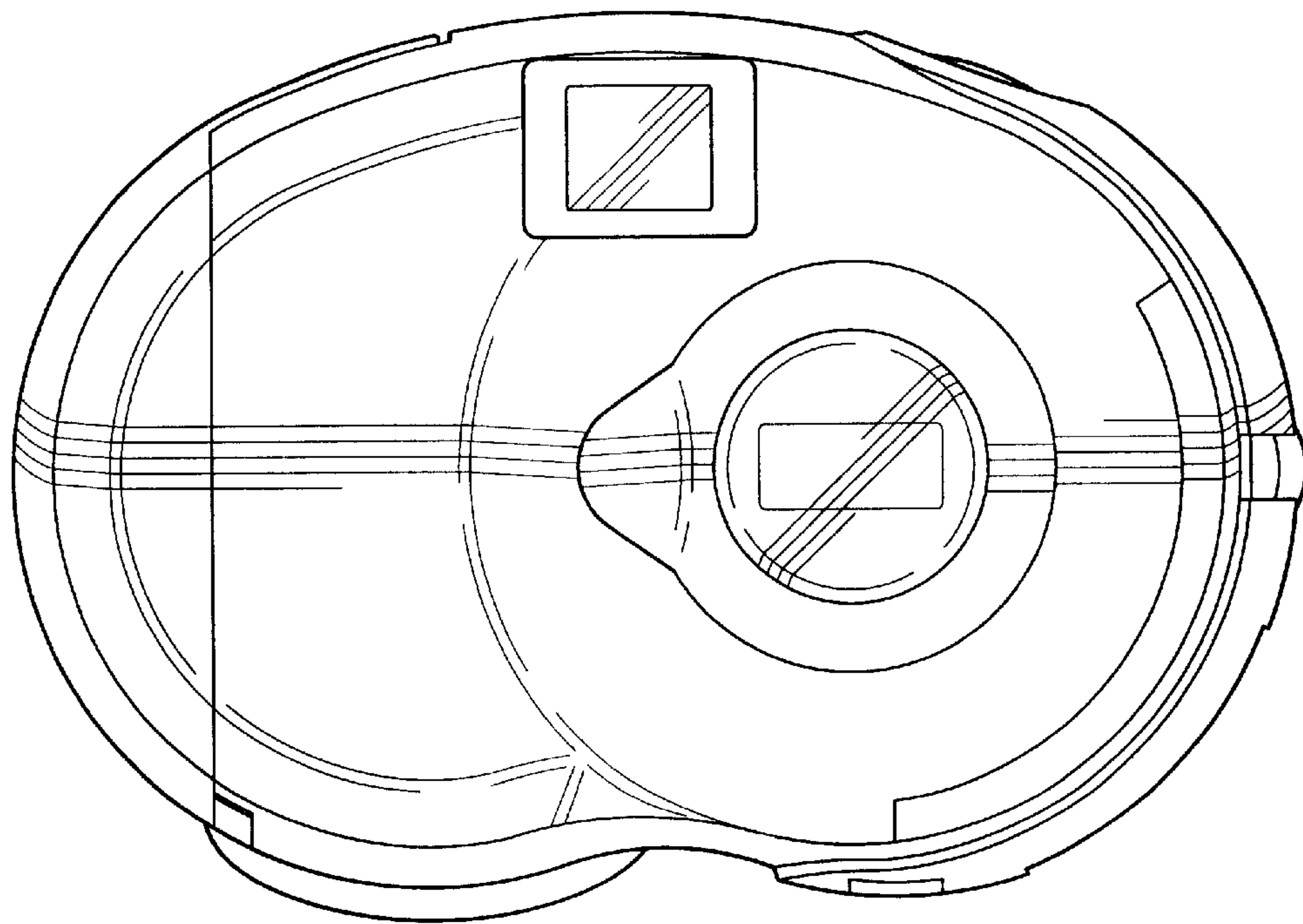


Fig-4

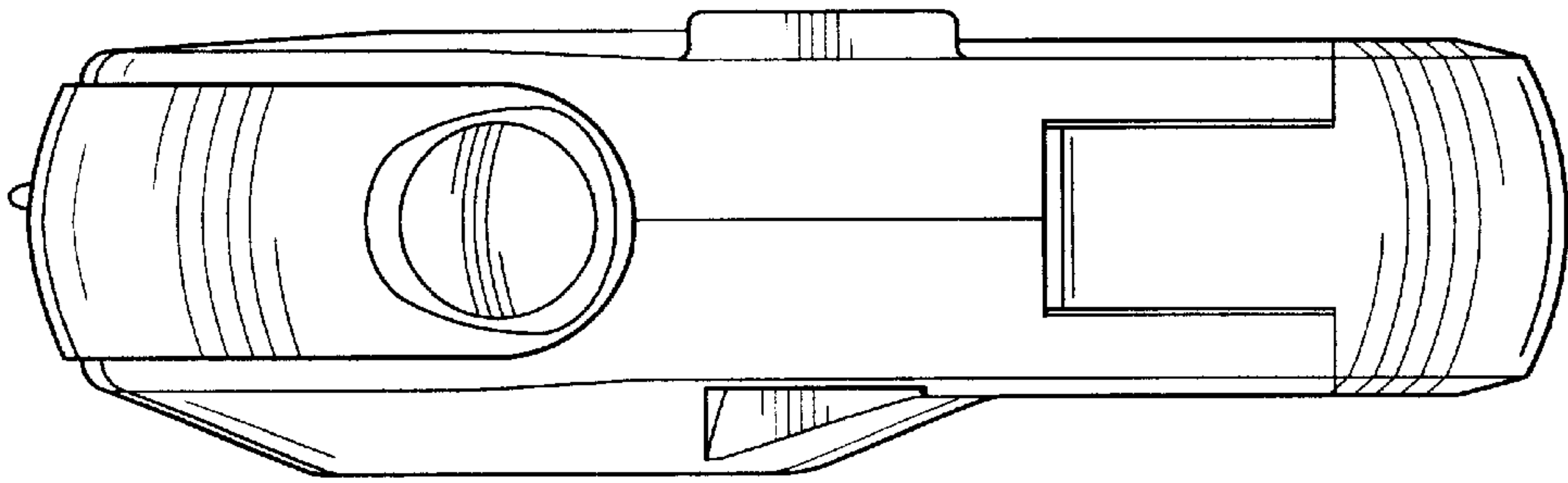


Fig-5

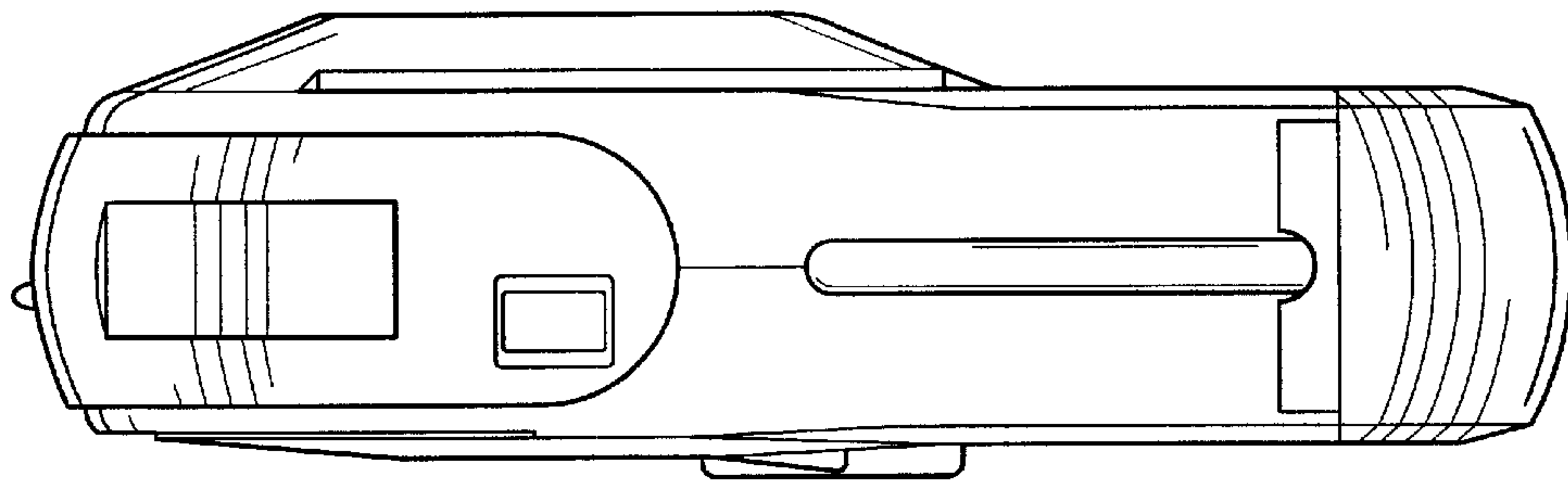


Fig-6

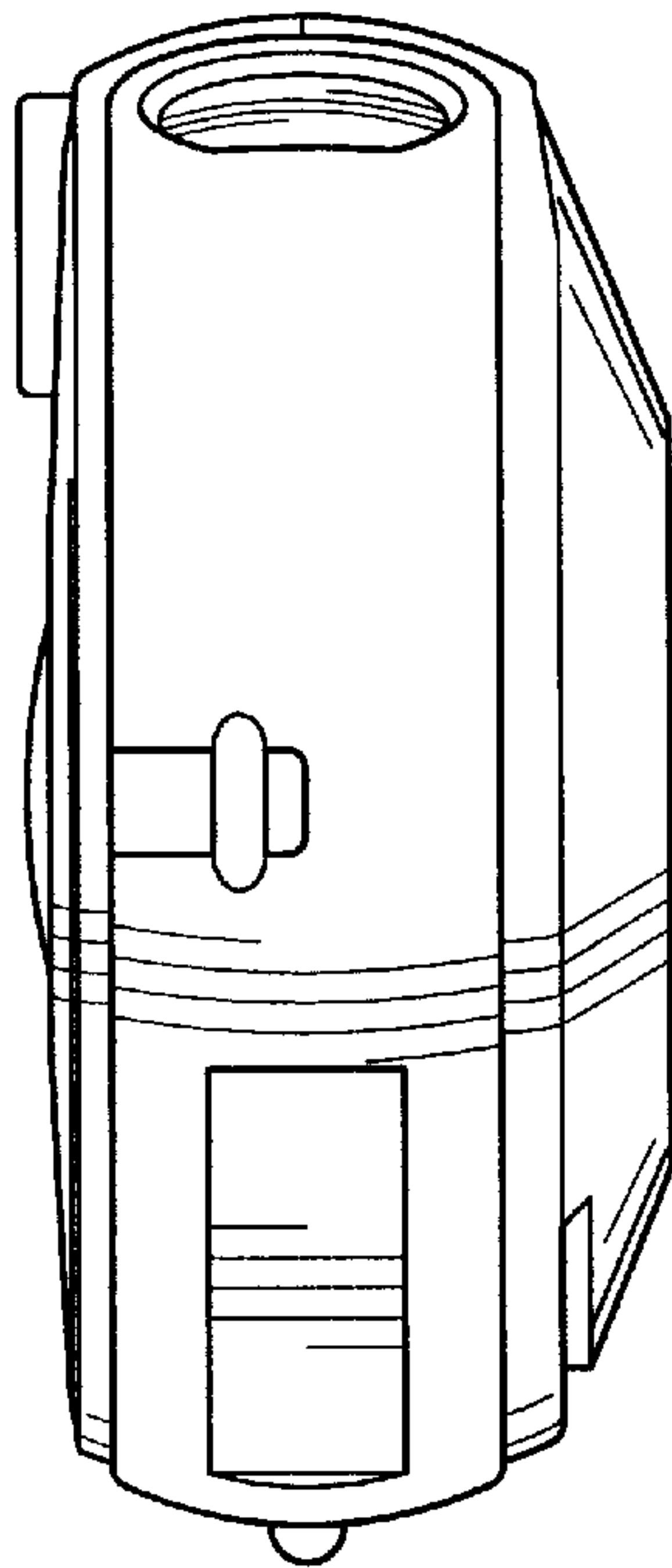


Fig-7

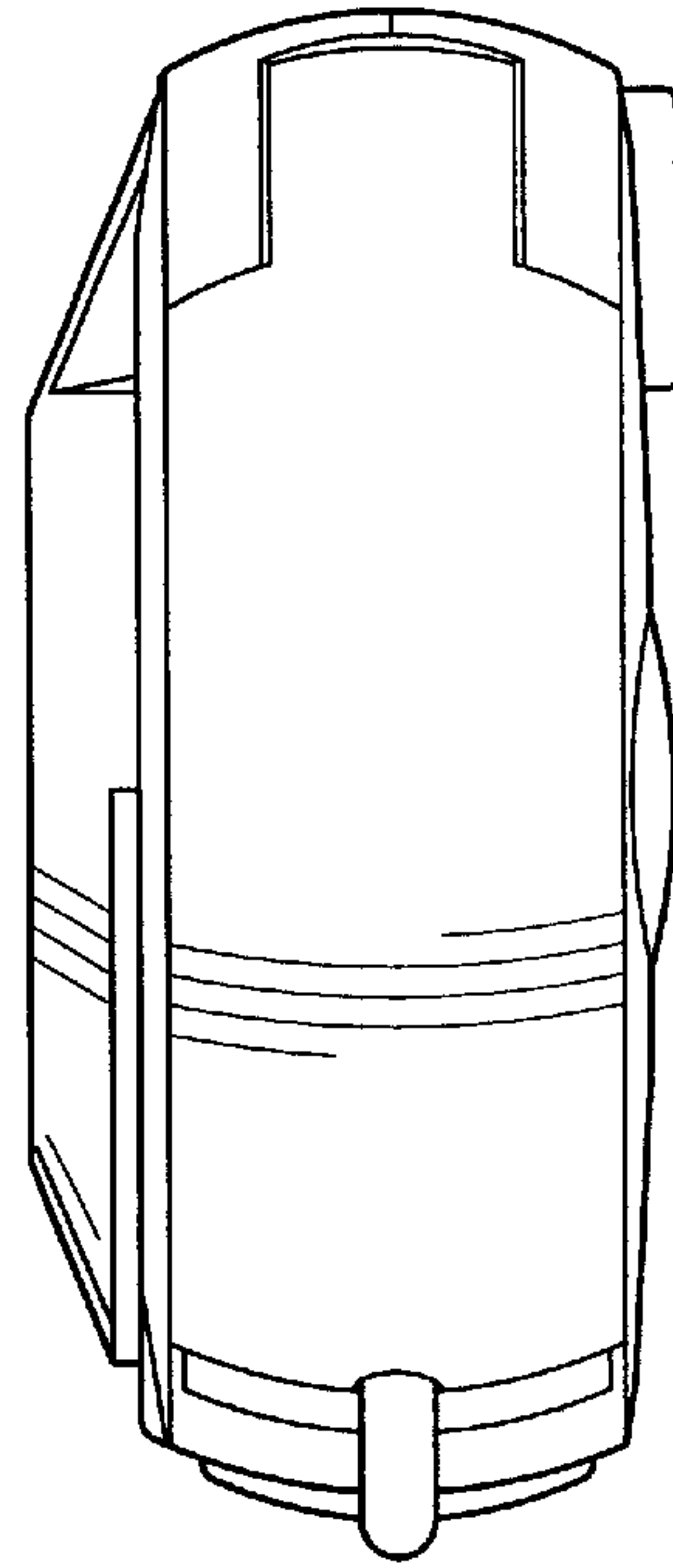


Fig-8

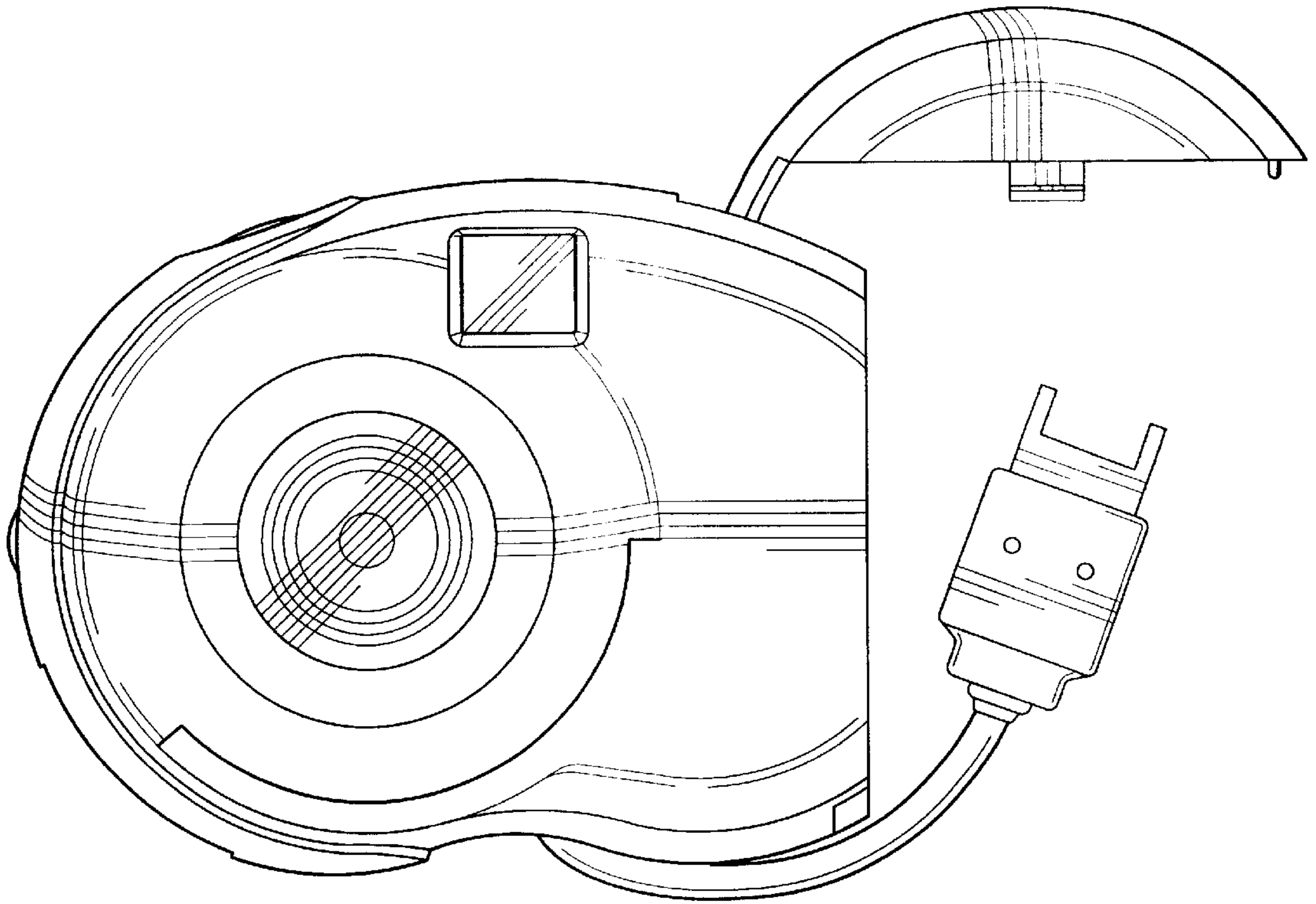


Fig-9

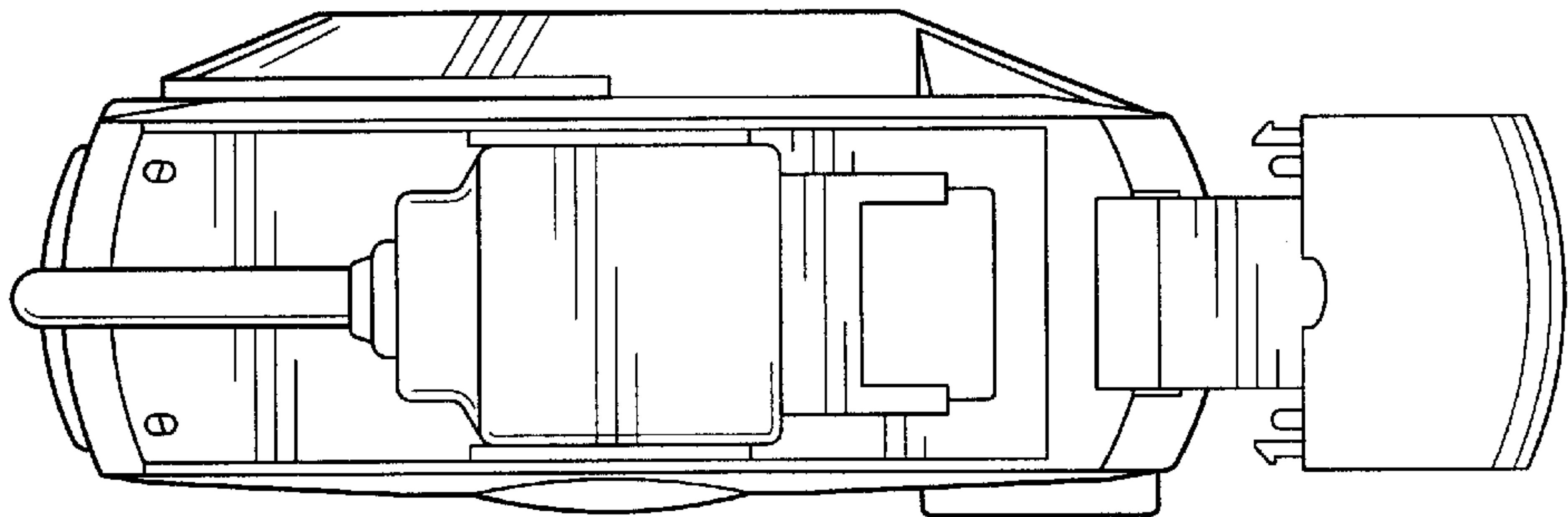


Fig-10