



US00D487101S

(12) **United States Design Patent**
Taoka

(10) **Patent No.:** **US D487,101 S**

(45) **Date of Patent:** **** Feb. 24, 2004**

(54) **GEAR HOUSING ASSEMBLY**

(75) Inventor: **Hiroshi Taoka**, Kanagawa (JP)

(73) Assignee: **Sumitomo Heavy Industries, Ltd.**,
Tokyo (JP)

(**) Term: **14 Years**

(21) Appl. No.: **29/179,606**

(22) Filed: **Apr. 14, 2003**

(51) **LOC (7) Cl.** **15-09**

(52) **U.S. Cl.** **D15/149**

(58) **Field of Search** D15/148, 149;
74/409, 395, 411, 606 R, 421 A, 421 R,
606 A, 413, 425, 424.75, 424.89, 464;
475/345, 83, 331-335; 184/109; 418/206.6,
206.7, 142, 144

(56) **References Cited**

U.S. PATENT DOCUMENTS

3,788,426 A	1/1974	Hull	184/109
4,023,433 A	5/1977	Schultz	74/425
4,825,727 A	5/1989	Komuro	74/606 R
D346,612 S	5/1994	Wong	D15/148
D406,596 S *	3/1999	Ziegler et al.	D15/148
6,032,550 A	3/2000	Rugh	74/425
D437,334 S	2/2001	Song	D15/148
6,183,231 B1 *	2/2001	Van Norman	418/206.6
D479,541 S *	9/2003	Lannoch	D15/148

FOREIGN PATENT DOCUMENTS

JP 859050 1/1993

* cited by examiner

Primary Examiner—Antoine Duval Davis

(74) *Attorney, Agent, or Firm*—Arent Fox Kintner Plotkin & Kahn

(57) **CLAIM**

The ornamental design for a gear housing assembly, as shown and described.

DESCRIPTION

FIG. 1 is a front view of a first embodiment showing my new design configured as a gear housing assembly;
 FIG. 2 is a top plan view thereof;
 FIG. 3 is a right side view thereof;
 FIG. 4 is a left side view thereof;
 FIG. 5 is a bottom view thereof;
 FIG. 6 is a rear view thereof;
 FIG. 7 is a front perspective view thereof;
 FIG. 8 is a rear perspective view thereof;
 FIG. 9 is a front view of a second embodiment showing my new design configured as a gear housing assembly with the output shaft shown in dotted line;
 FIG. 10 is a right side view thereof;
 FIG. 11 is a top plan view thereof;
 FIG. 12 is a left side view thereof;
 FIG. 13 is a bottom view thereof;
 FIG. 14 is a rear view thereof;
 FIG. 15 is a front perspective view thereof; and,
 FIG. 16 is a rear perspective view thereof.

The items shown in dotted line in the various views of the Figures do not form a part of my inventive design and are not claimed herein.

1 Claim, 8 Drawing Sheets

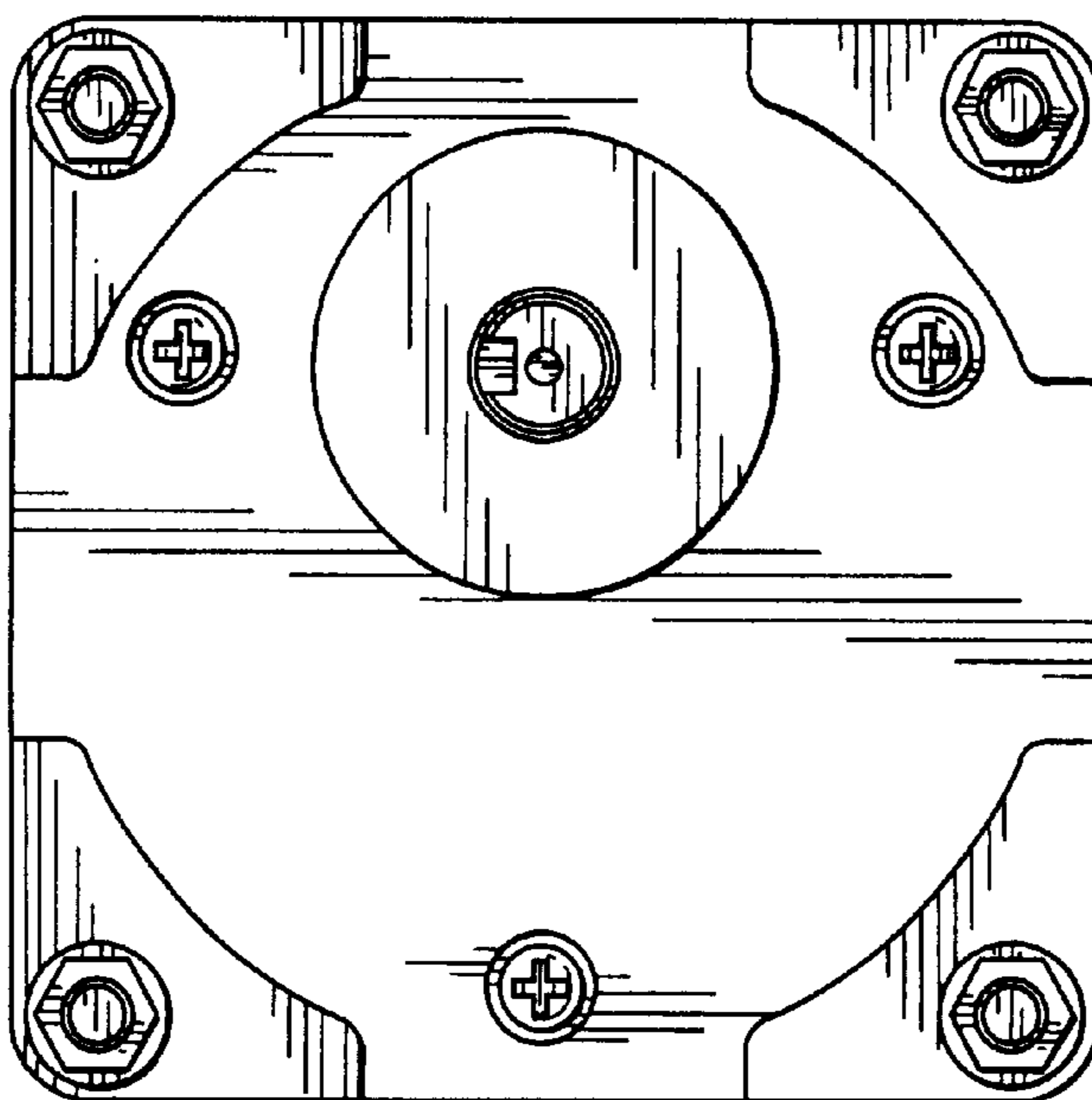


Fig.1

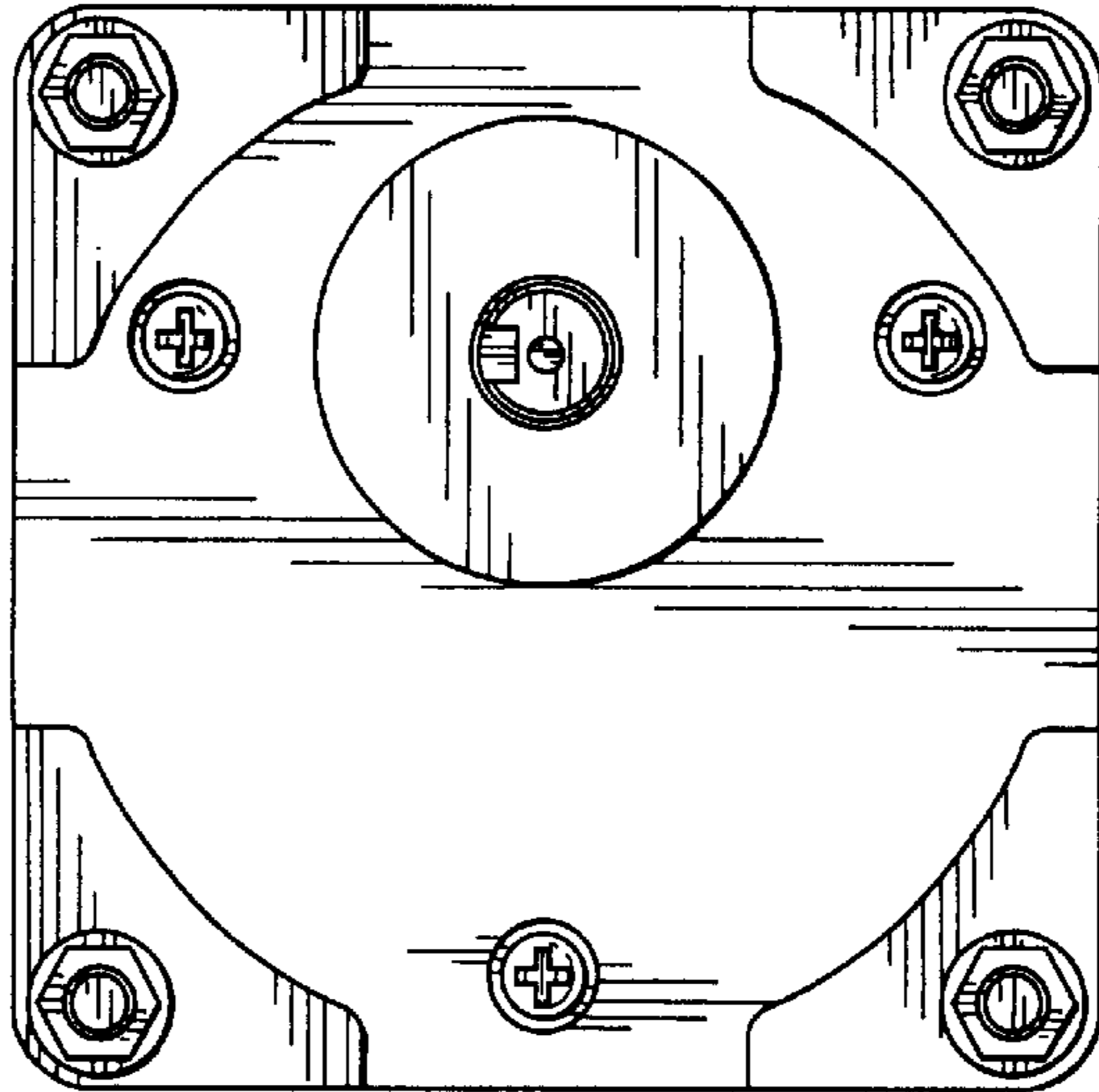


Fig.2

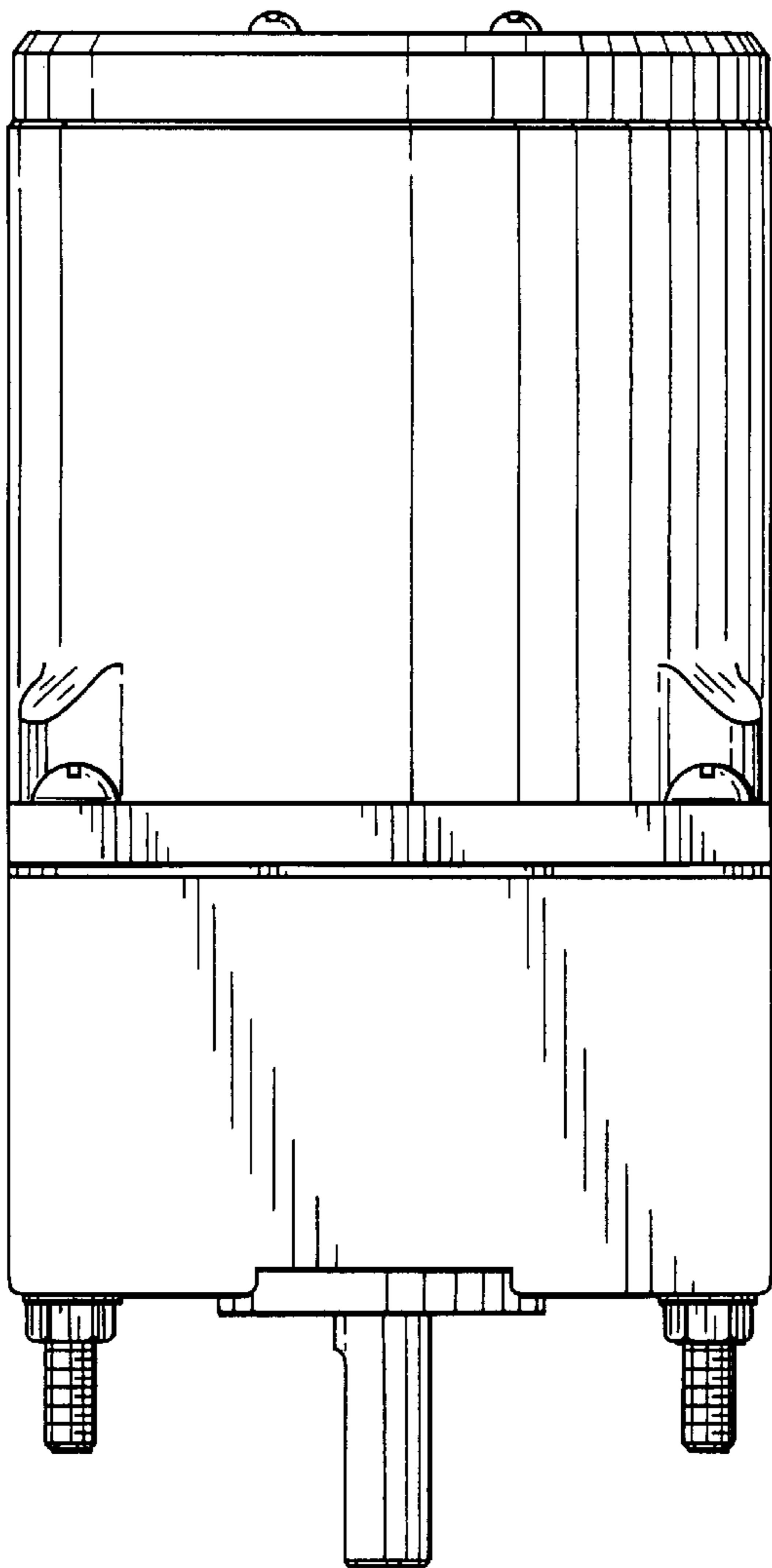


Fig.3

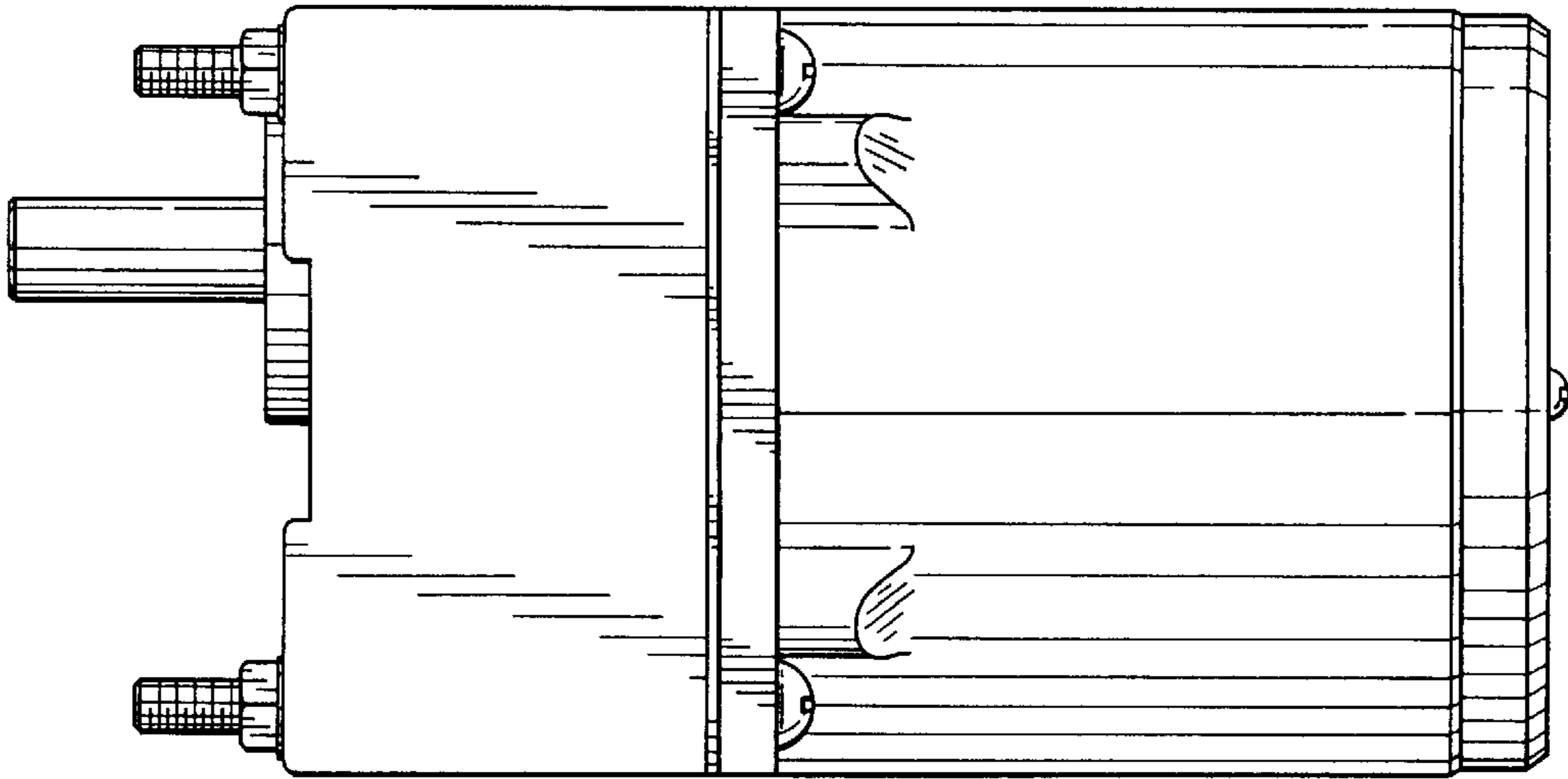


Fig.4

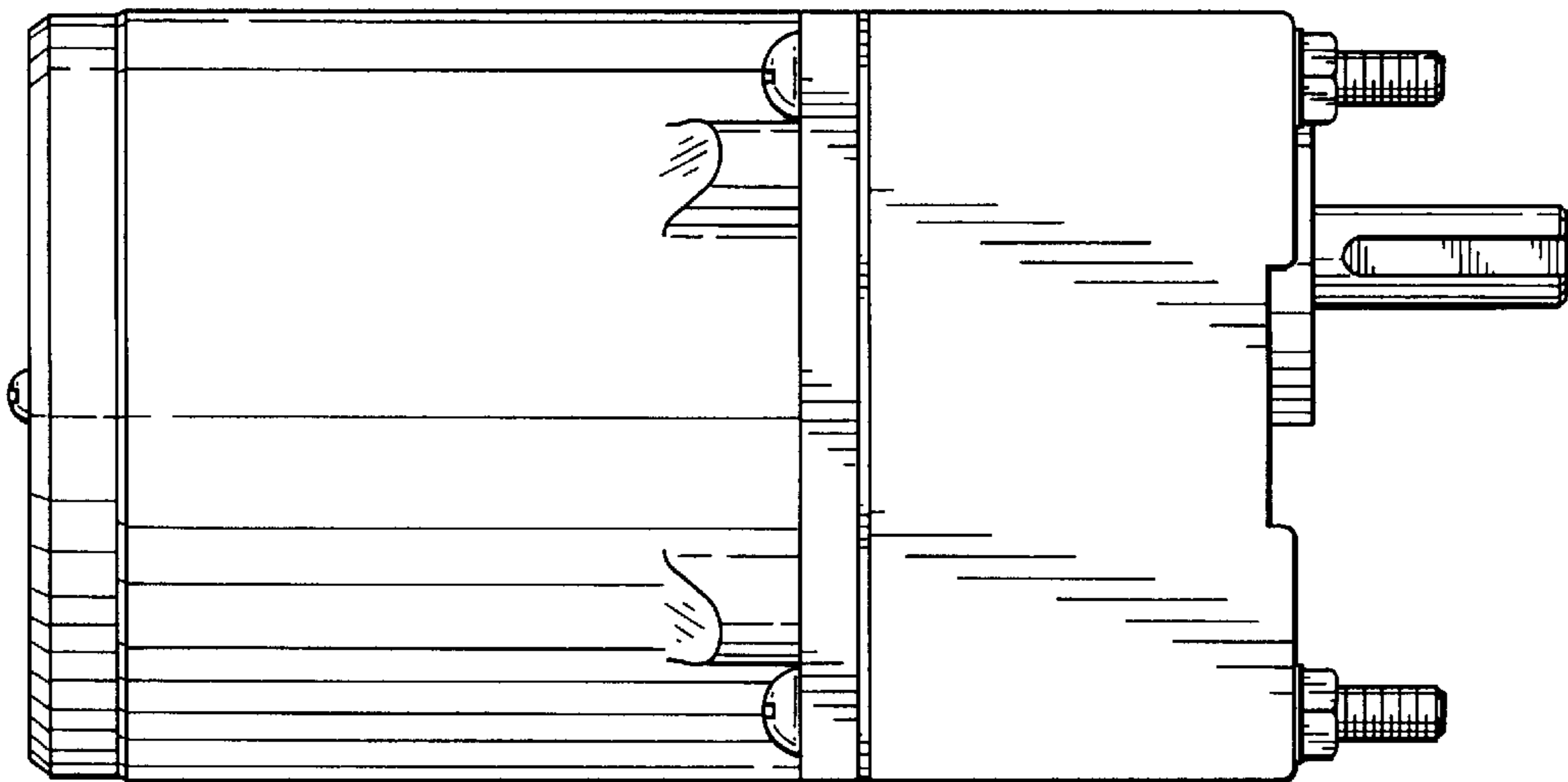


Fig.5

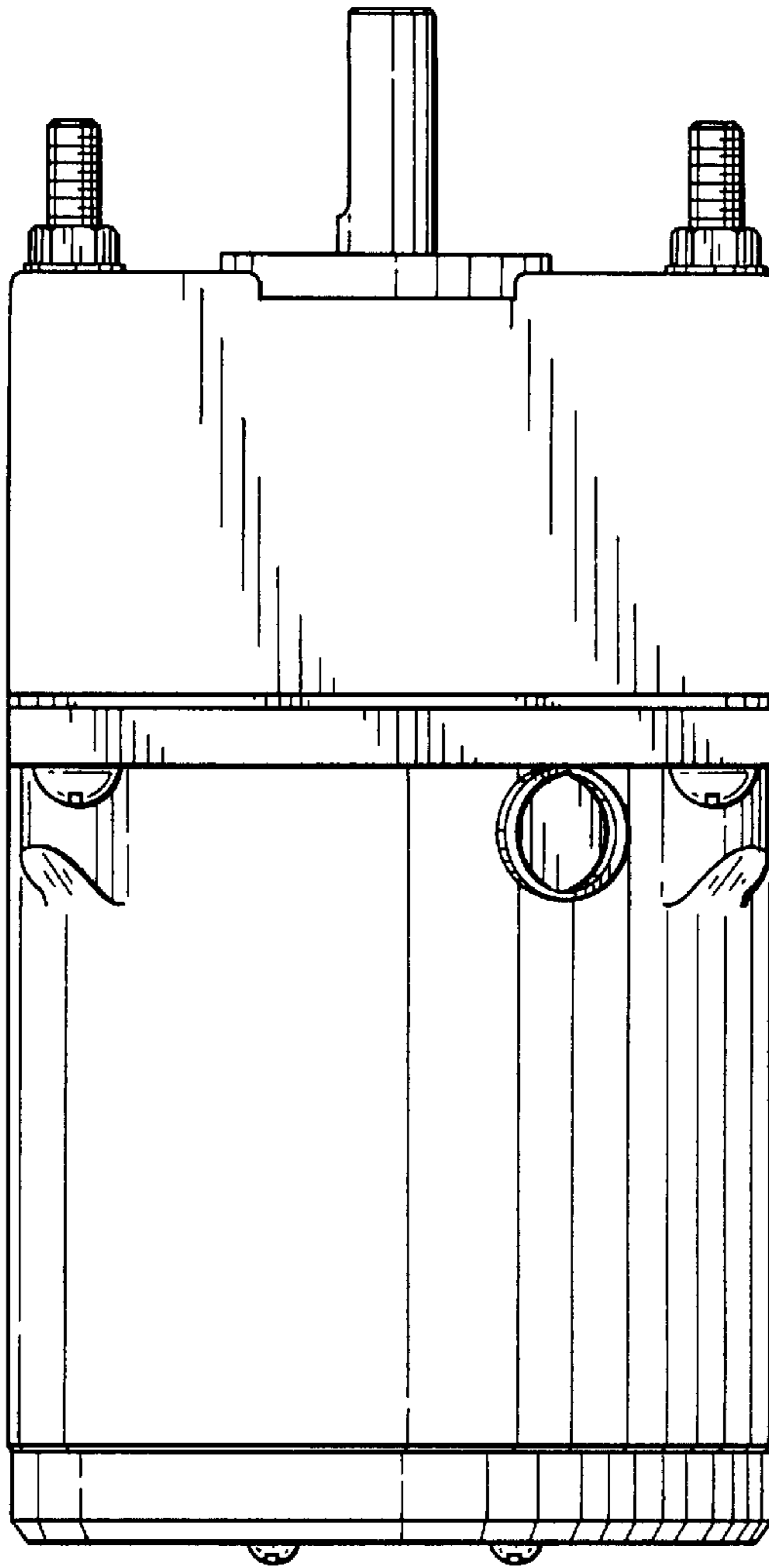
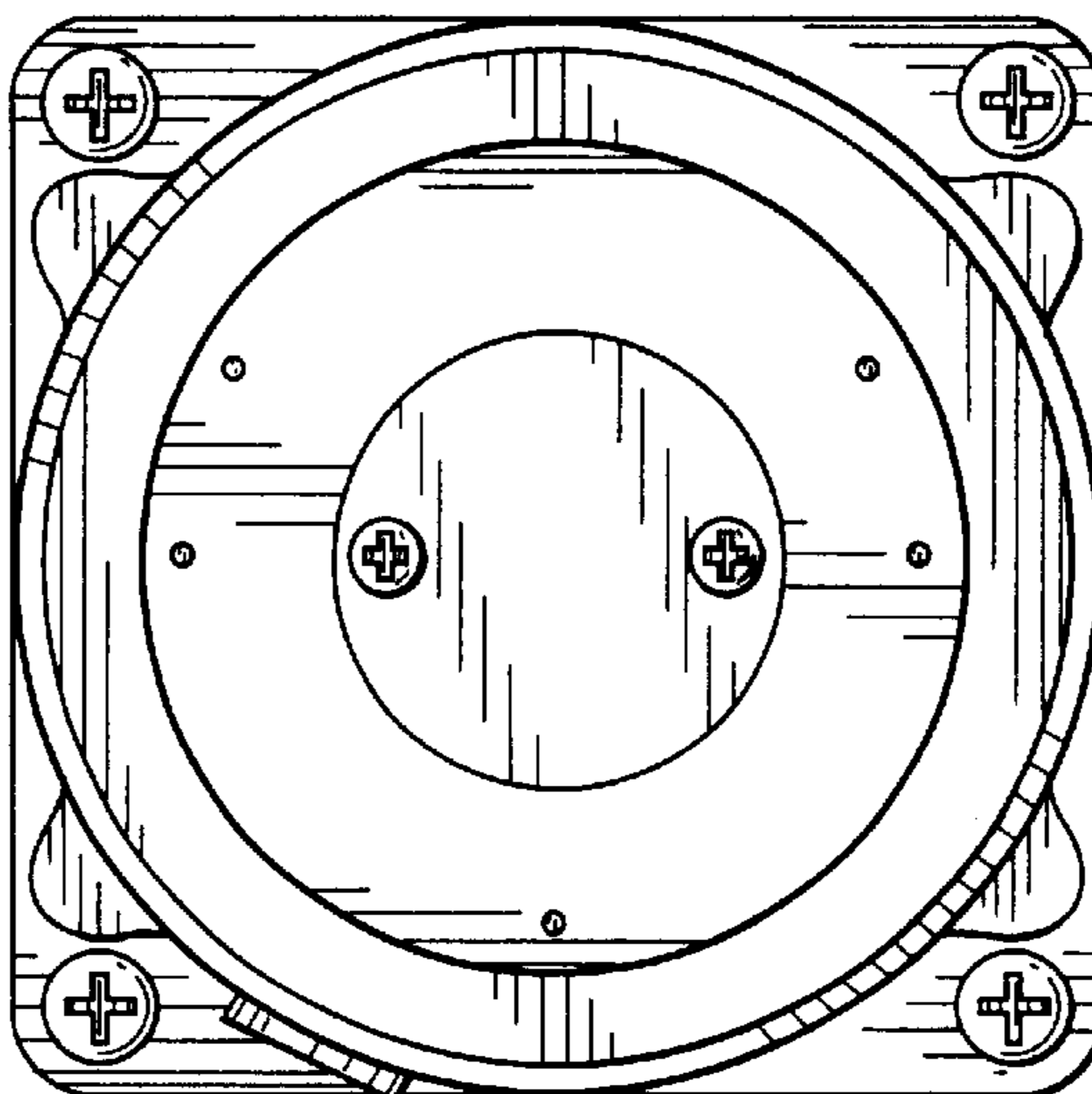


Fig.6



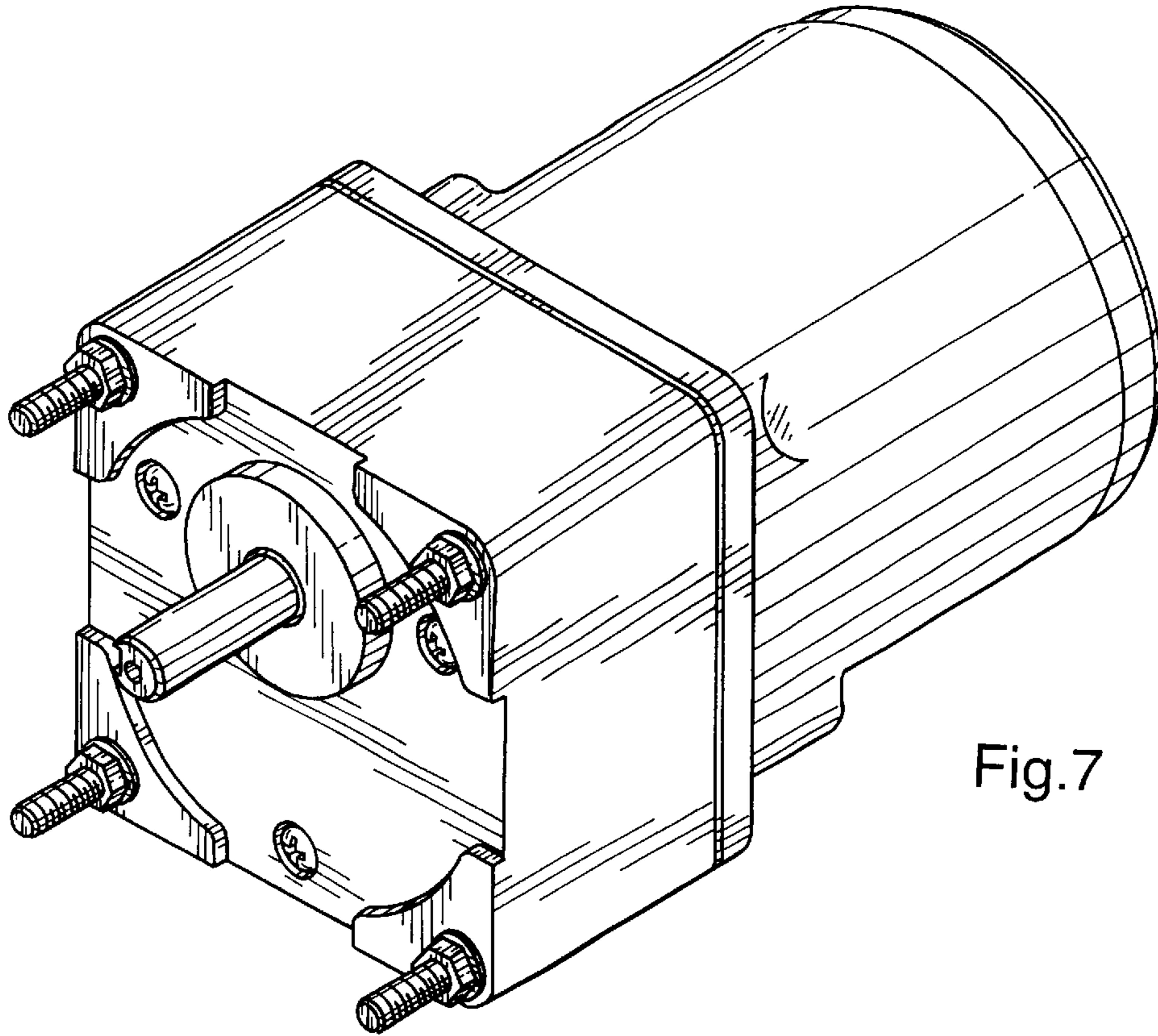


Fig. 8

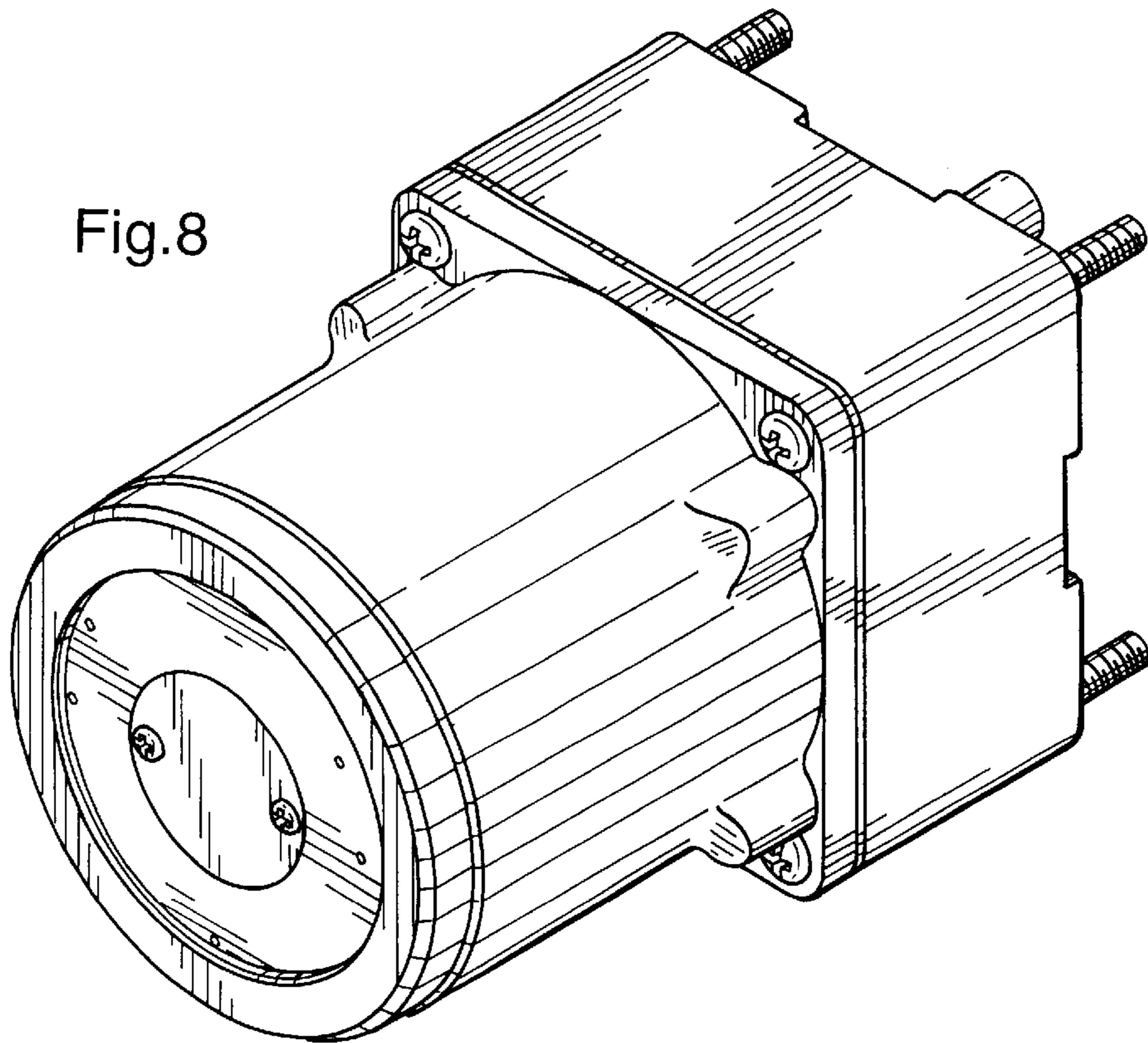


Fig.9

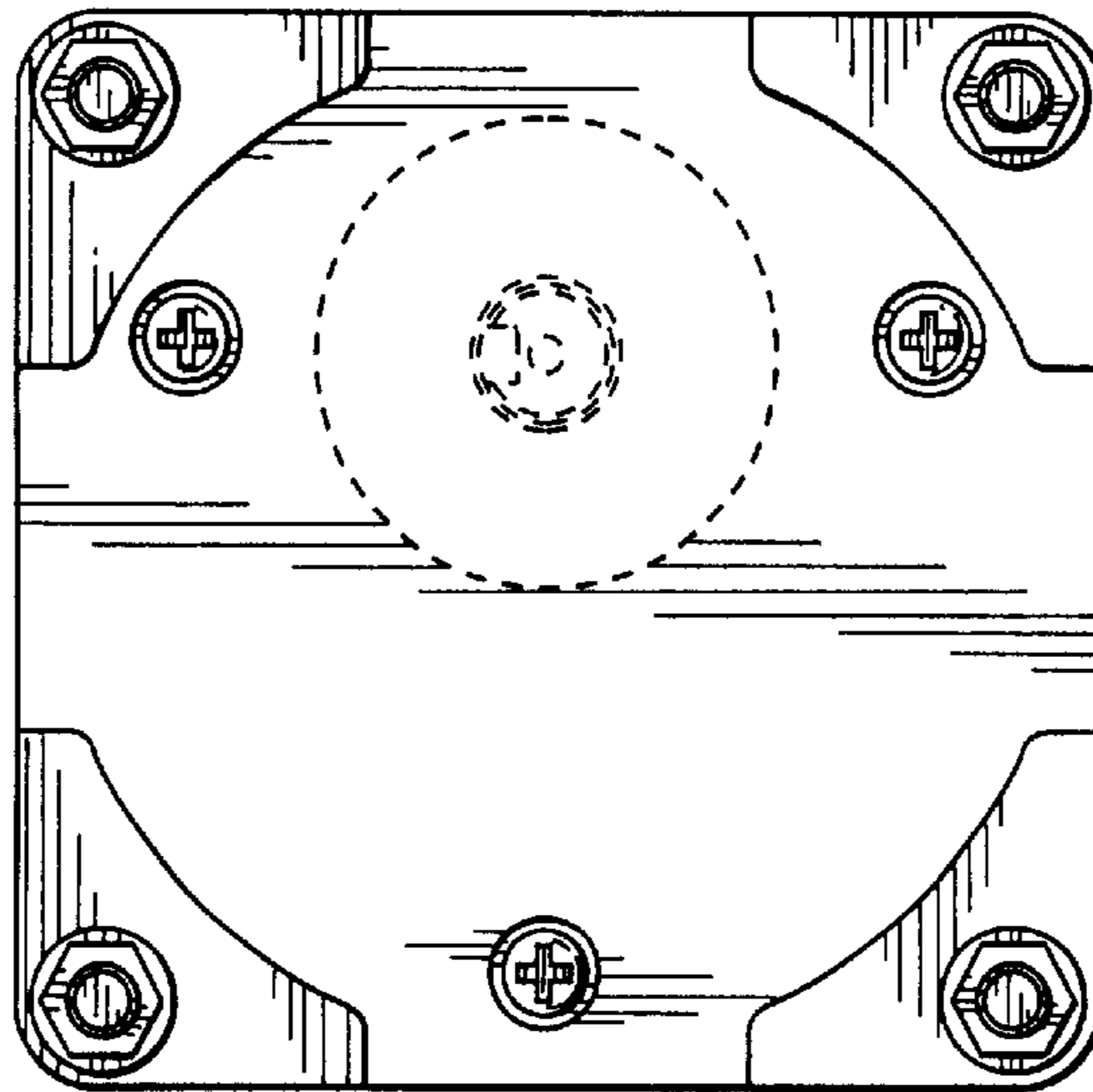


Fig.10

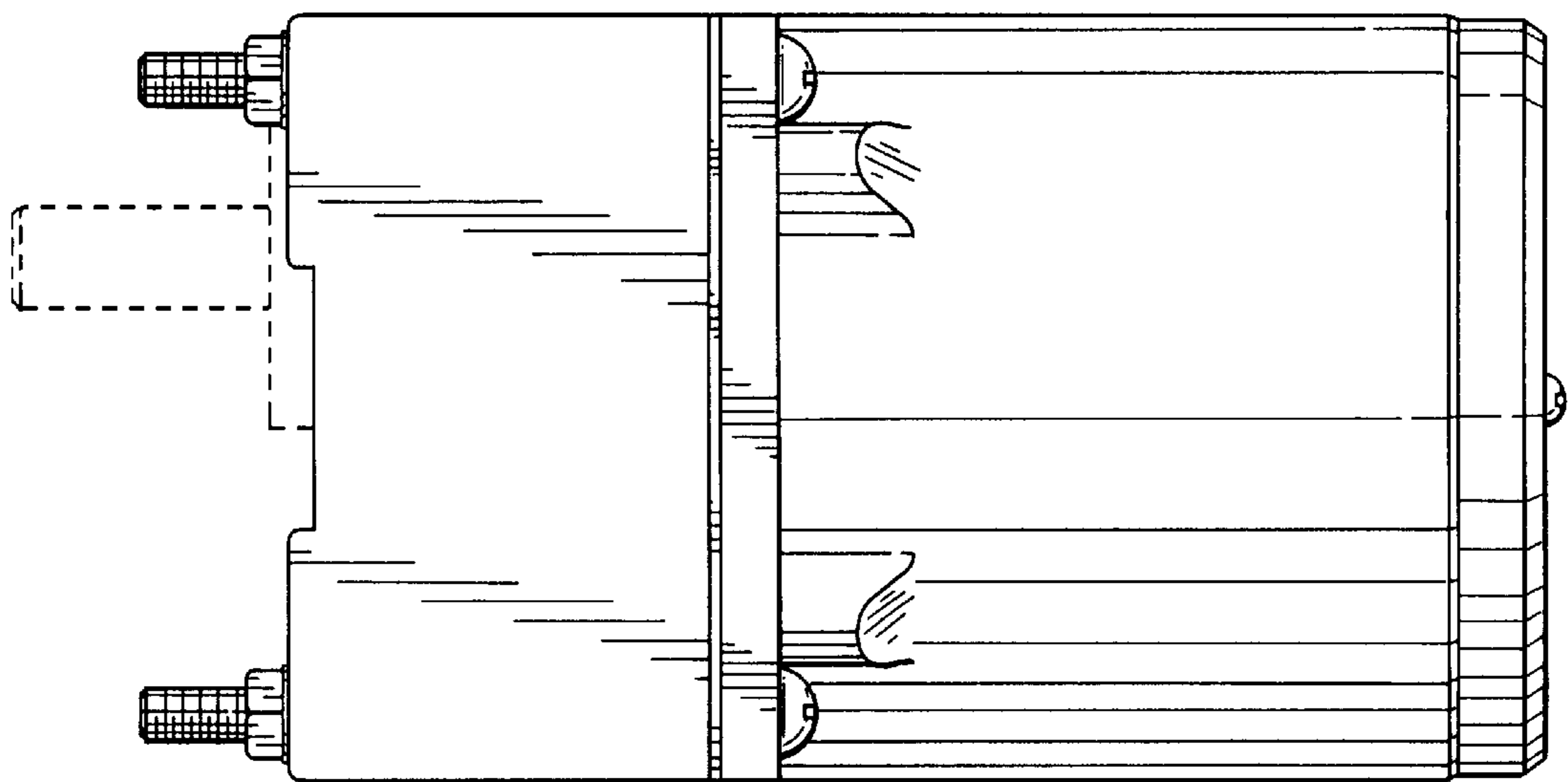


Fig.11

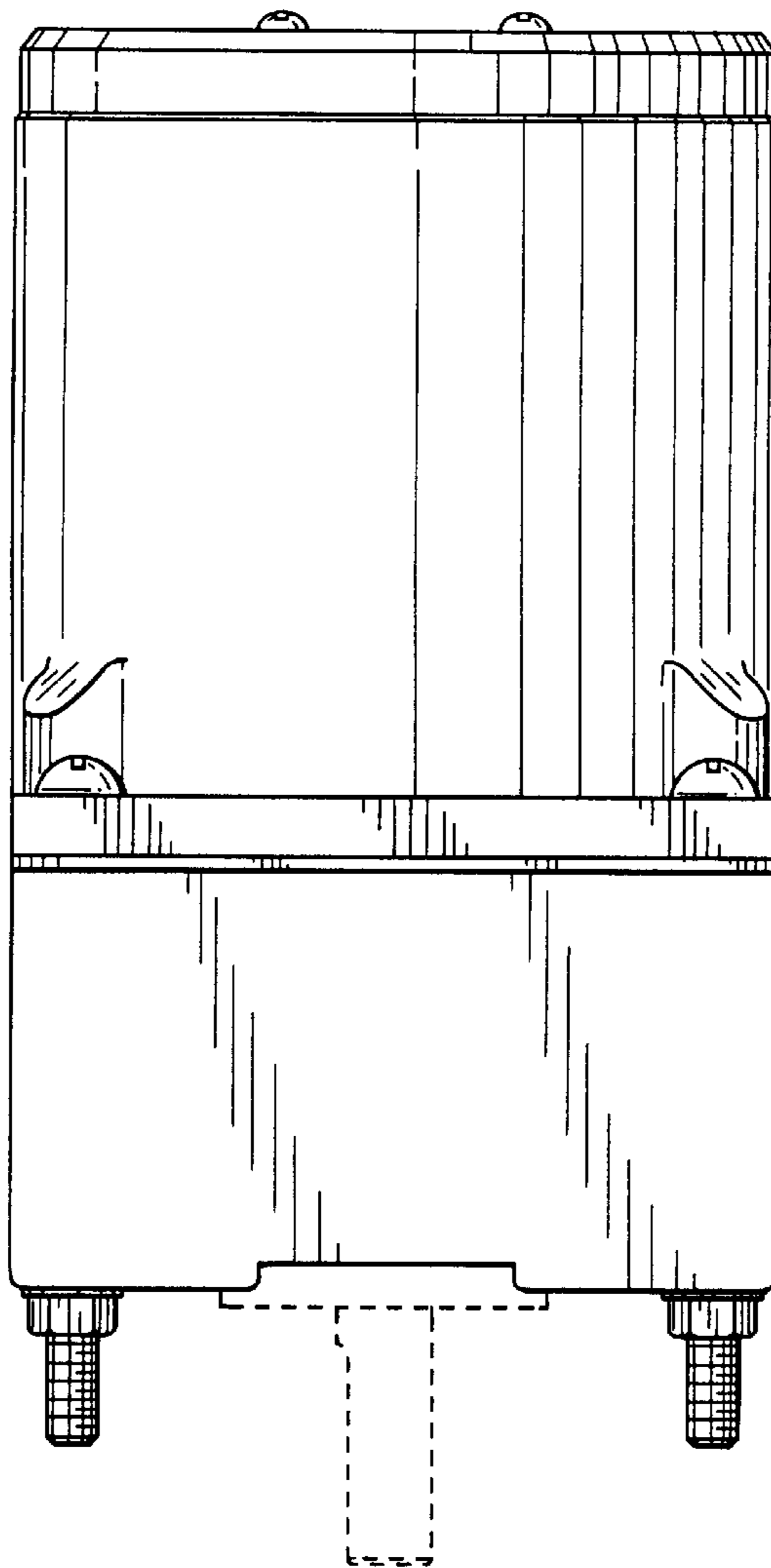


Fig.12

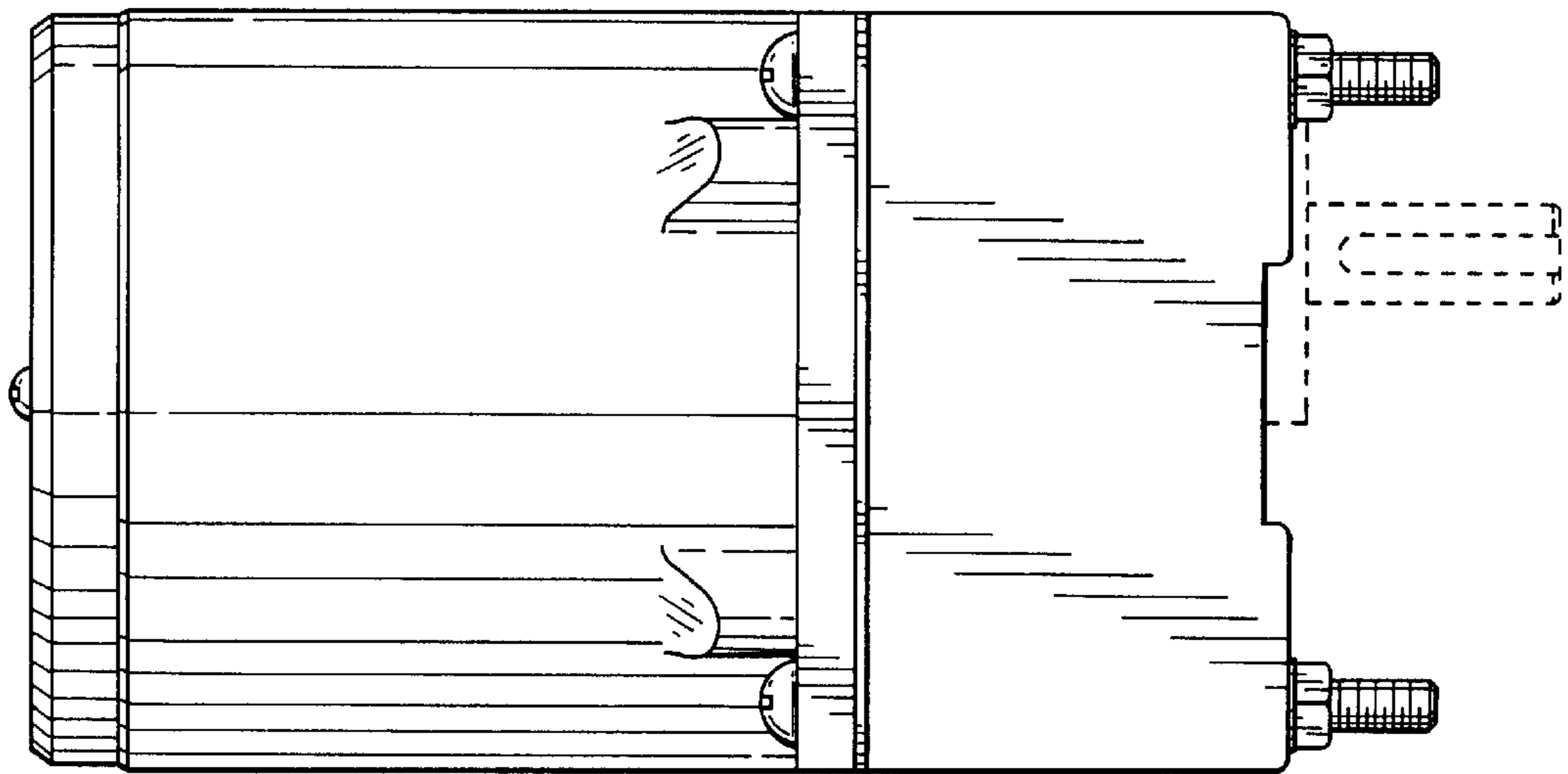


Fig.13

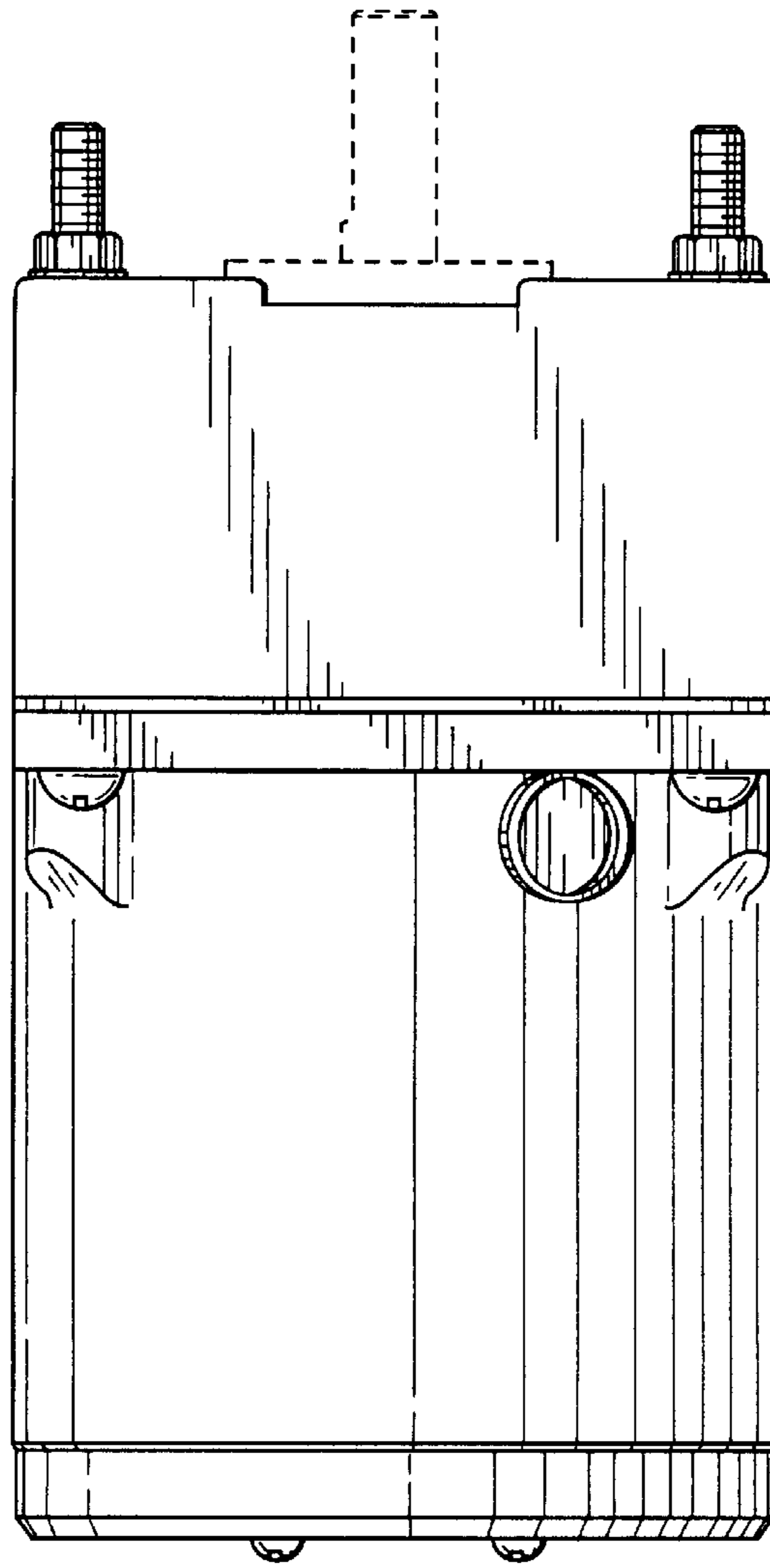
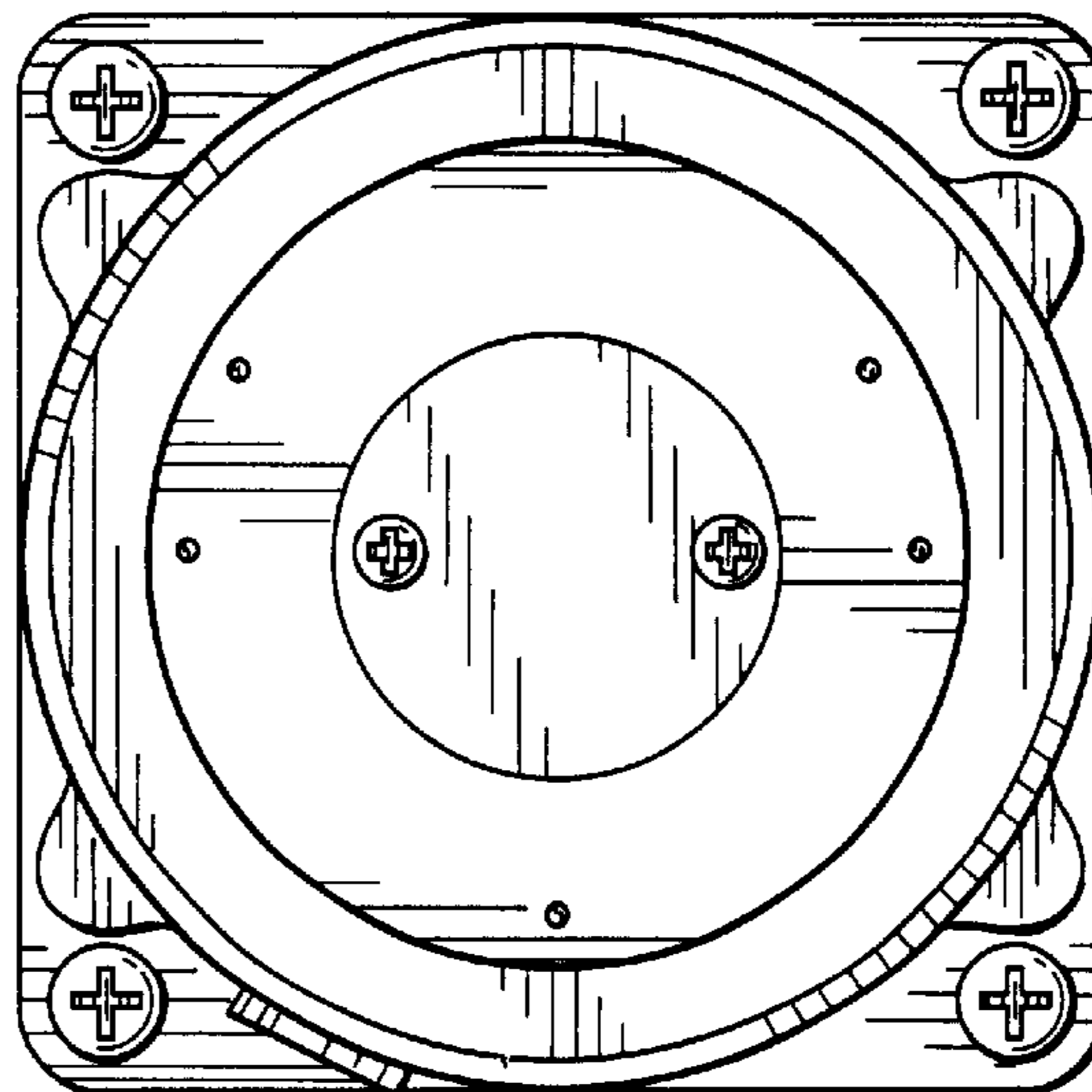


Fig.14



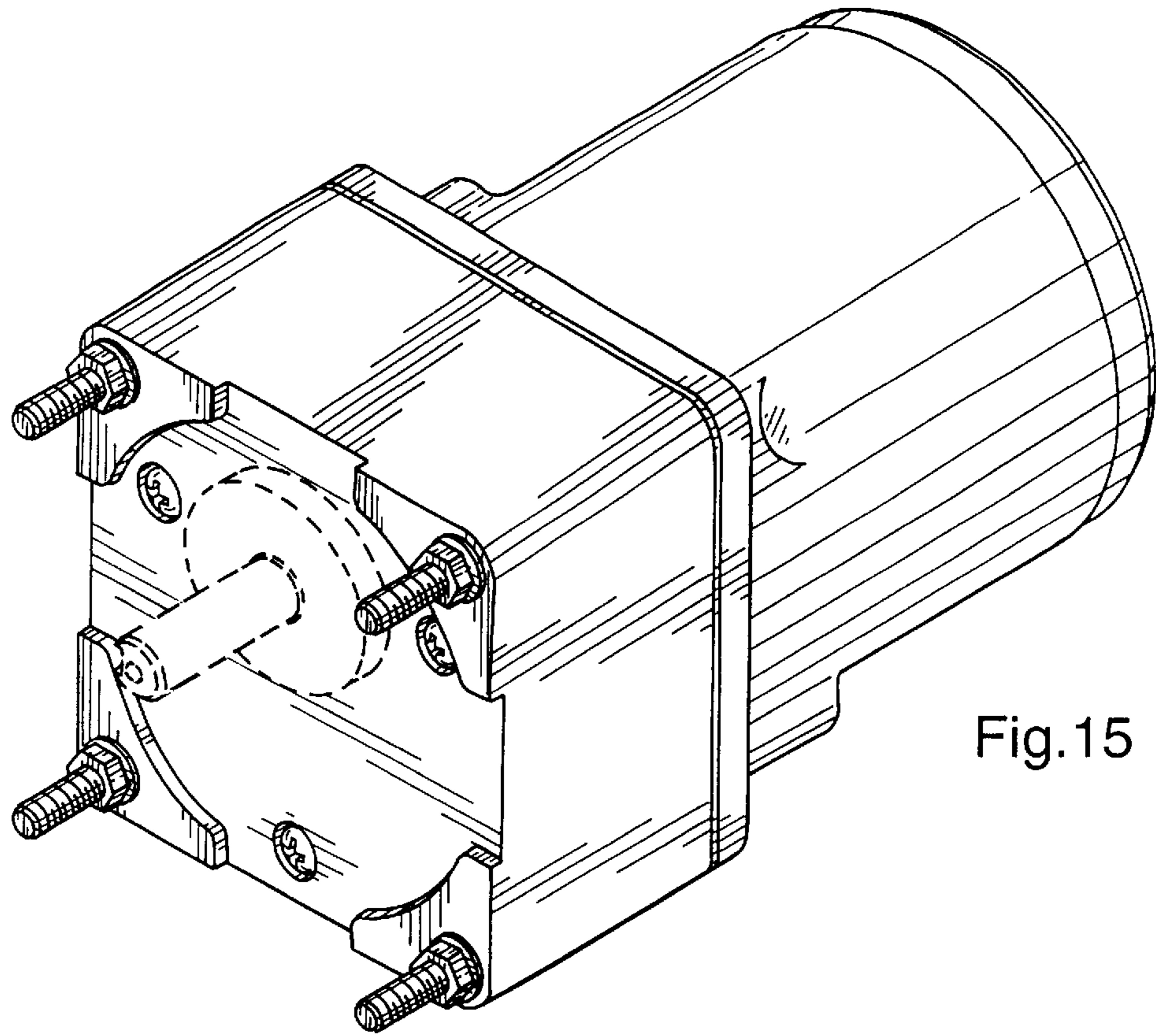


Fig. 15

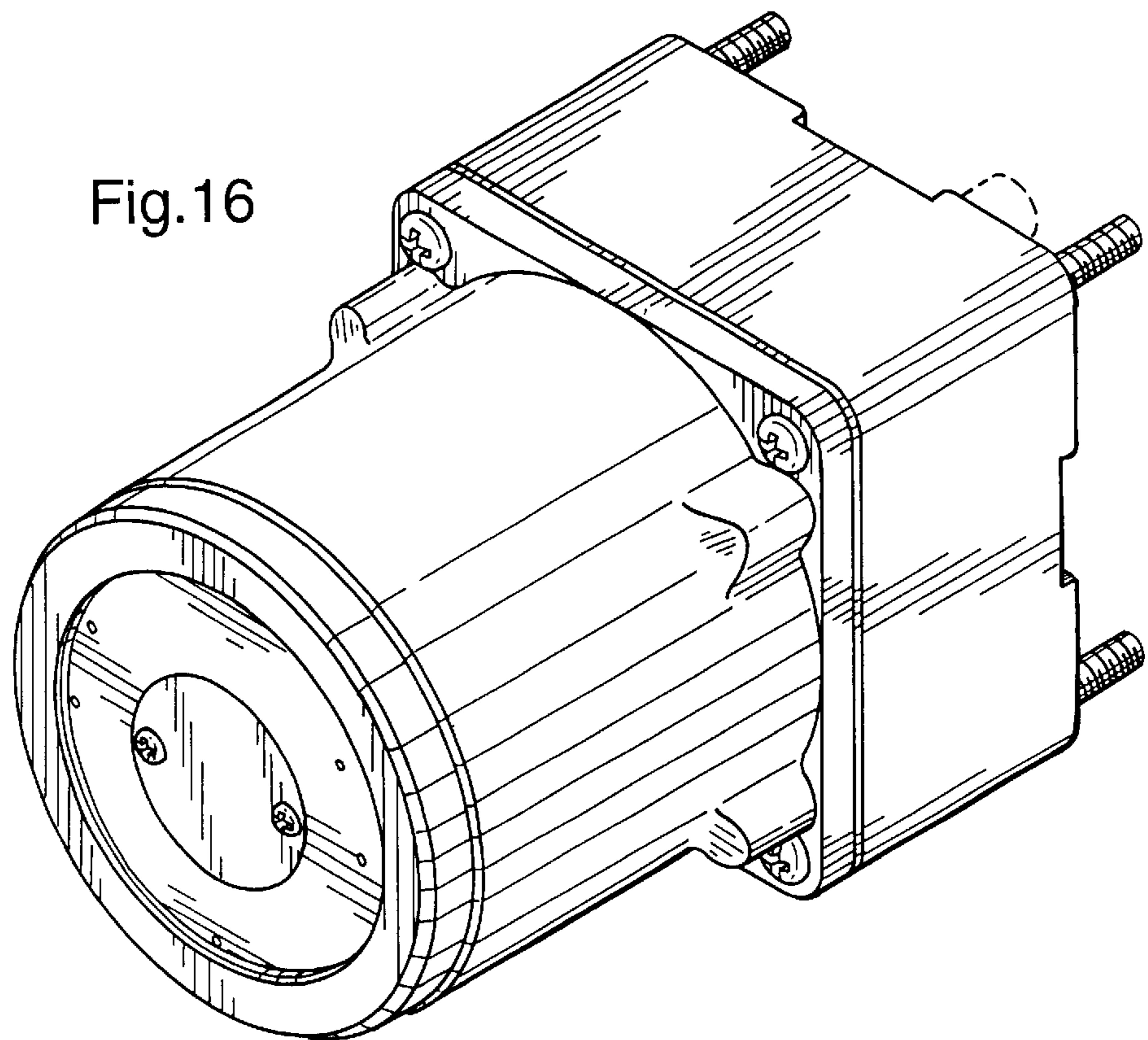


Fig. 16