



US00D487100S

(12) **United States Design Patent**
Tokach et al.

(10) **Patent No.:** **US D487,100 S**

(45) **Date of Patent:** **** Feb. 24, 2004**

(54) **MINI-EXCAVATOR CANOPY**

(75) Inventors: **Thomas J. Tokach**, Mandan, ND (US);
Michael D. Wetzel, Bismarck, ND
(US); **David W. Graf**, Bismarck, ND
(US); **Henry J. Weber**, Bismarck, ND
(US)

(73) Assignee: **Clark Equipment Company**, Woodcliff
Lake, NJ (US)

(**) Term: **14 Years**

(21) Appl. No.: **29/168,102**

(22) Filed: **Sep. 26, 2002**

(51) **LOC (7) Cl.** **15-03**

(52) **U.S. Cl.** **D15/30**

(58) **Field of Search** D15/30, 22-26;
180/89.1, 89.12, 900; 236/190.1; 414/660,
685, 694, 719, 743

(56) **References Cited**

U.S. PATENT DOCUMENTS

5,184,933 A 2/1993 Pei-qian et al. 414/725
D338,019 S * 8/1993 Bhambra D15/25
6,018,895 A 2/2000 Duppong et al. 37/348
D433,689 S * 11/2000 Kraft et al. D15/30

D436,605 S * 1/2001 Shaw et al. D15/30
6,170,180 B1 1/2001 Schaeff 37/443
6,357,231 B1 3/2002 Duppong 60/421

* cited by examiner

Primary Examiner—Mitchell Siegel
(74) *Attorney, Agent, or Firm*—Westman, Champlin &
Kelly, P.A.

(57) **CLAIM**

The ornamental design for a mini-excavator canopy, as
shown and described.

DESCRIPTION

FIG. 1 is a view in perspective as seen from the front, side
and top of the mini-excavator canopy showing our new
design with the vehicle shown in dashed lines representing
environment;

FIG. 2 is a view in perspective as seen from the front, top
and side opposite that shown in FIG. 1;

FIG. 3 is a view in side elevation;

FIG. 4 is a view in side elevation of the side opposite that
shown in FIG. 3;

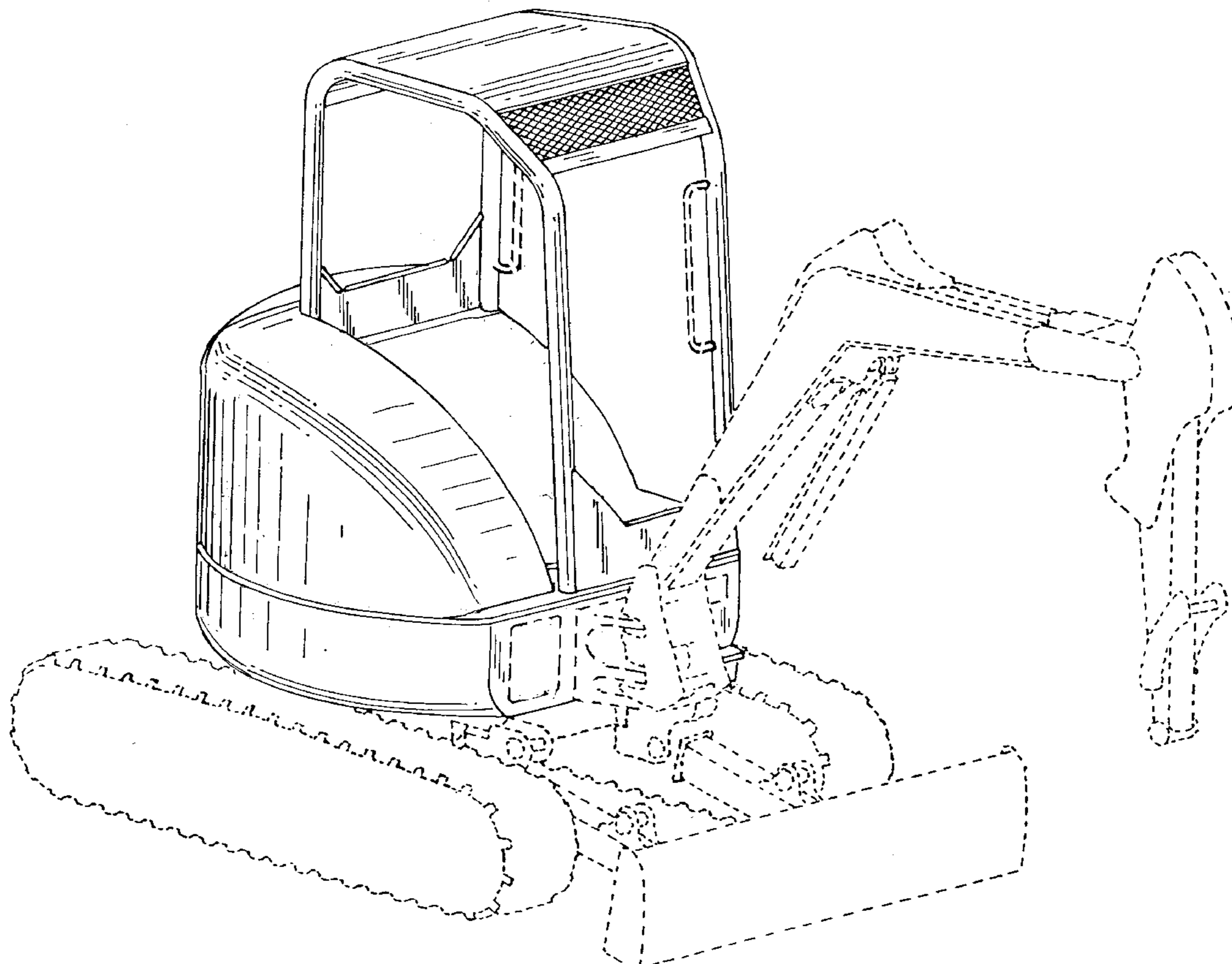
FIG. 5 is a view in front elevation;

FIG. 6 is a view in rear elevation;

FIG. 7 is a top plan view; and,

FIG. 8 is a bottom plan view.

1 Claim, 8 Drawing Sheets



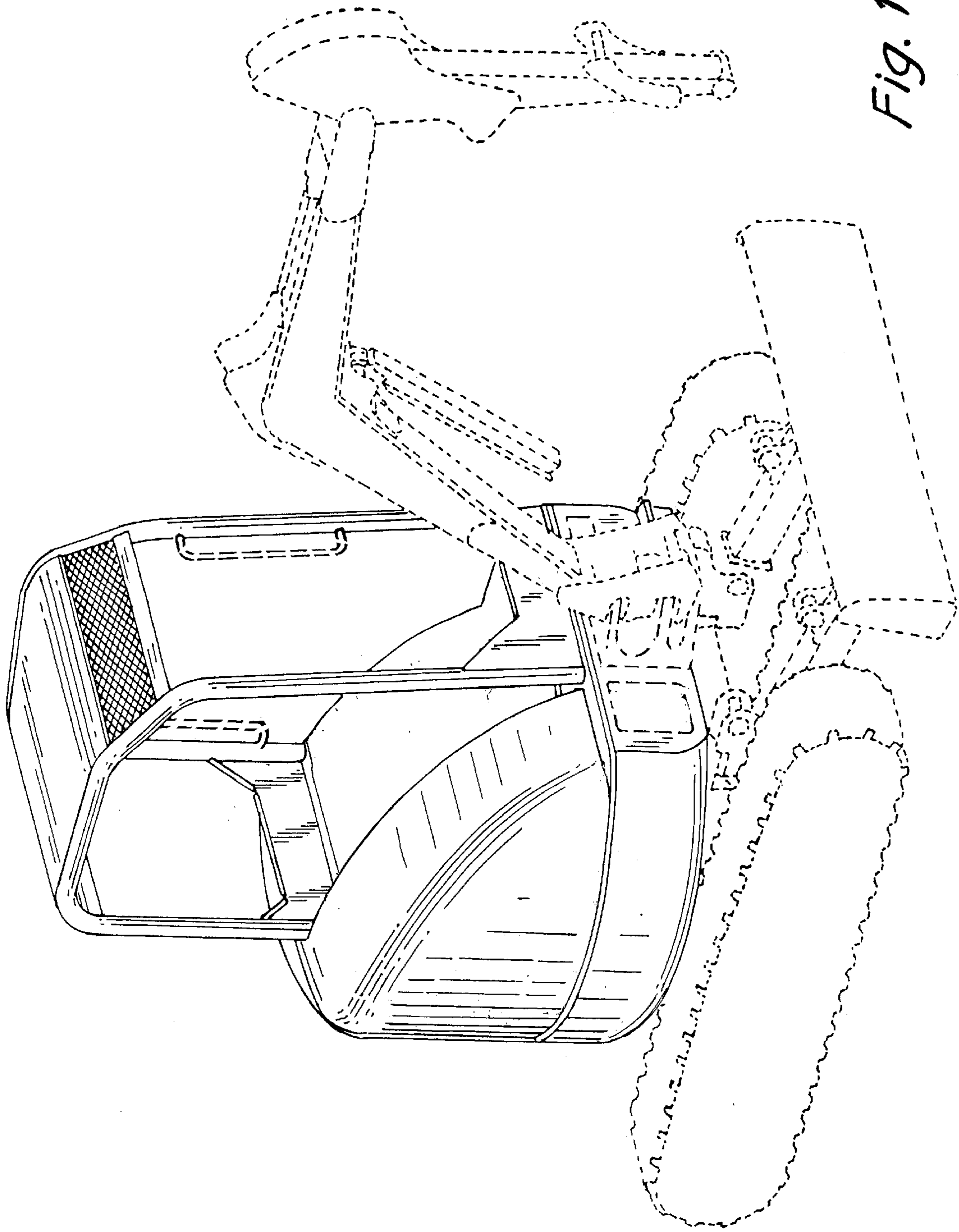
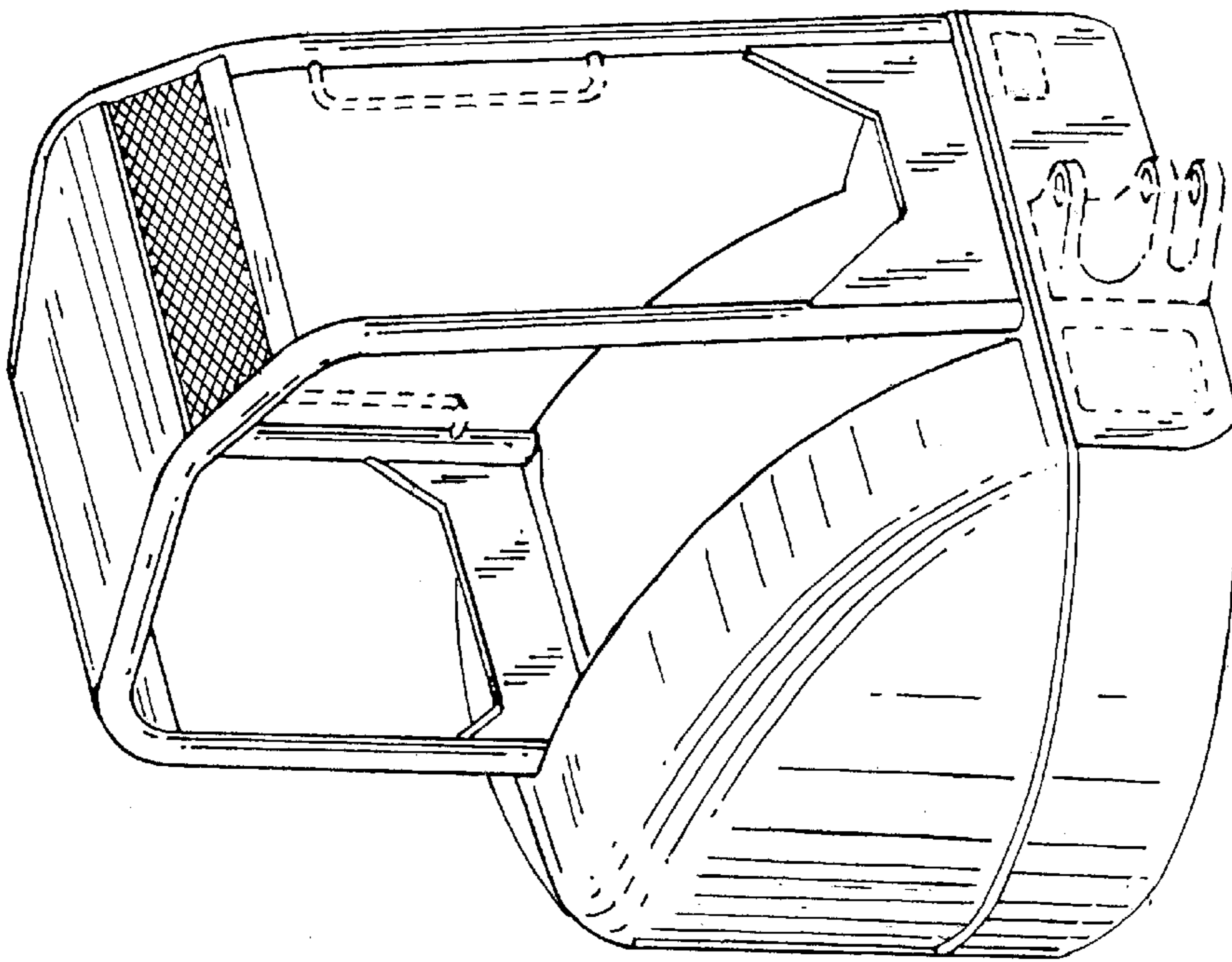


Fig. 1

Fig. 2



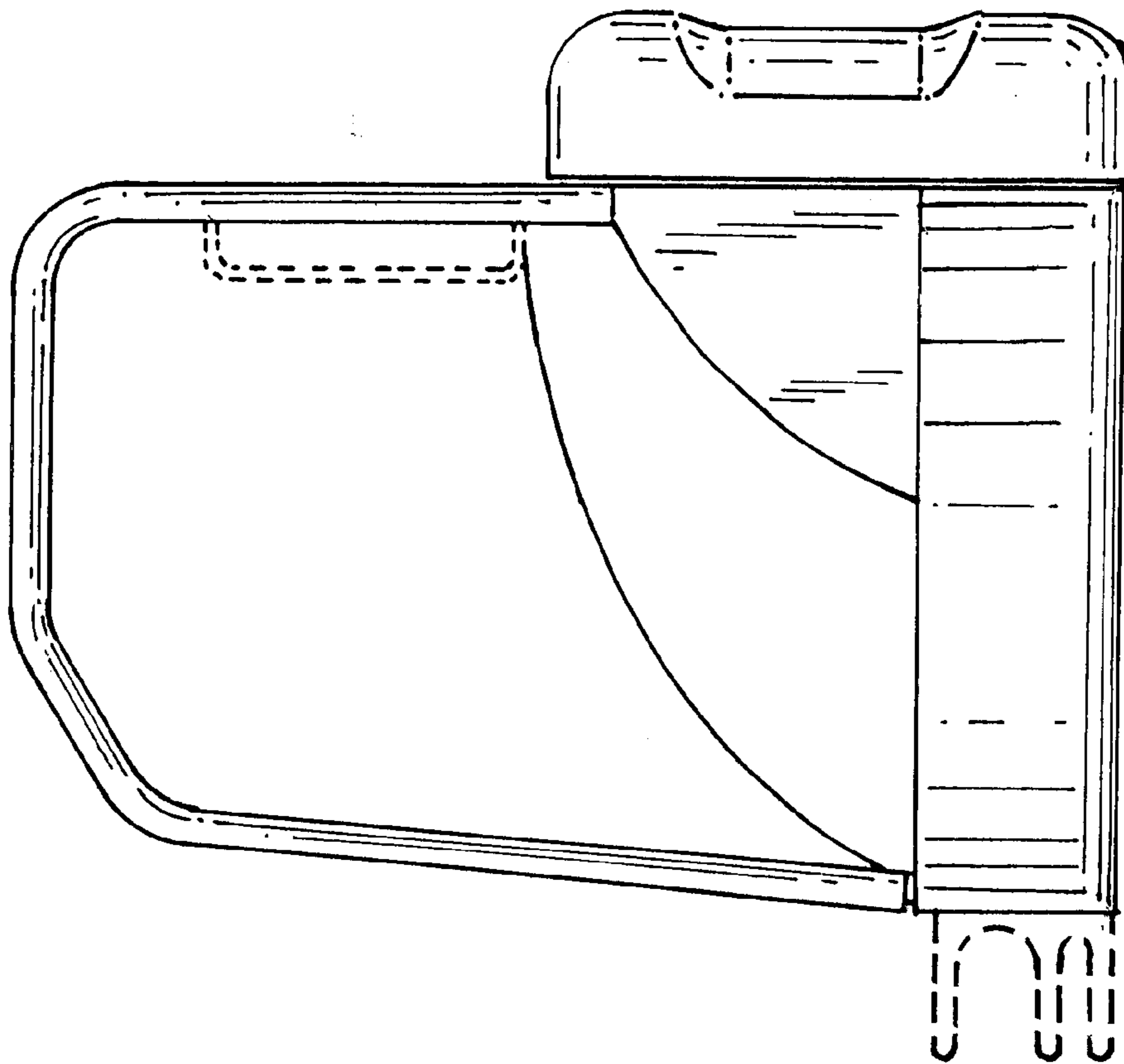


Fig. 3

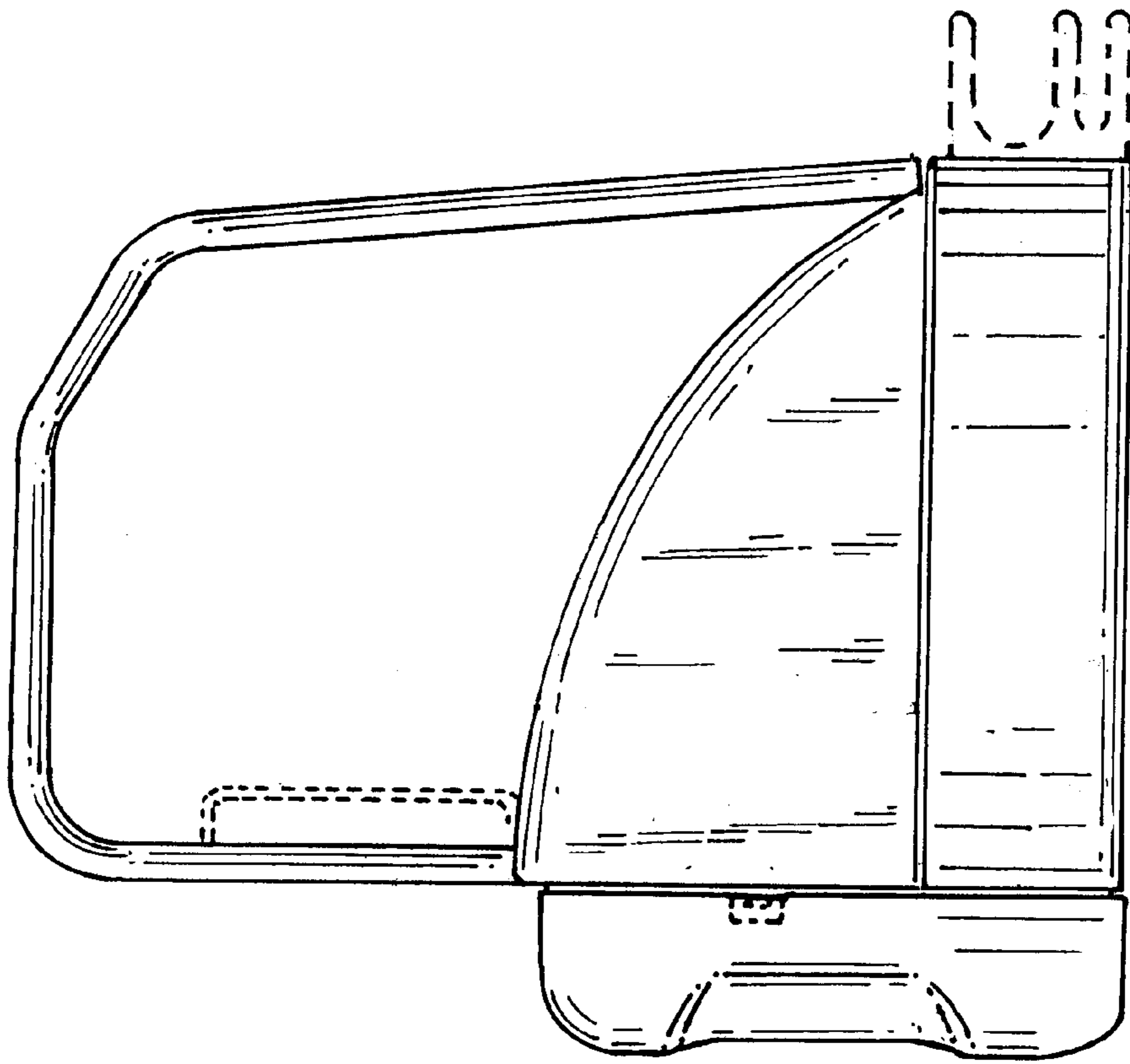


Fig. 4

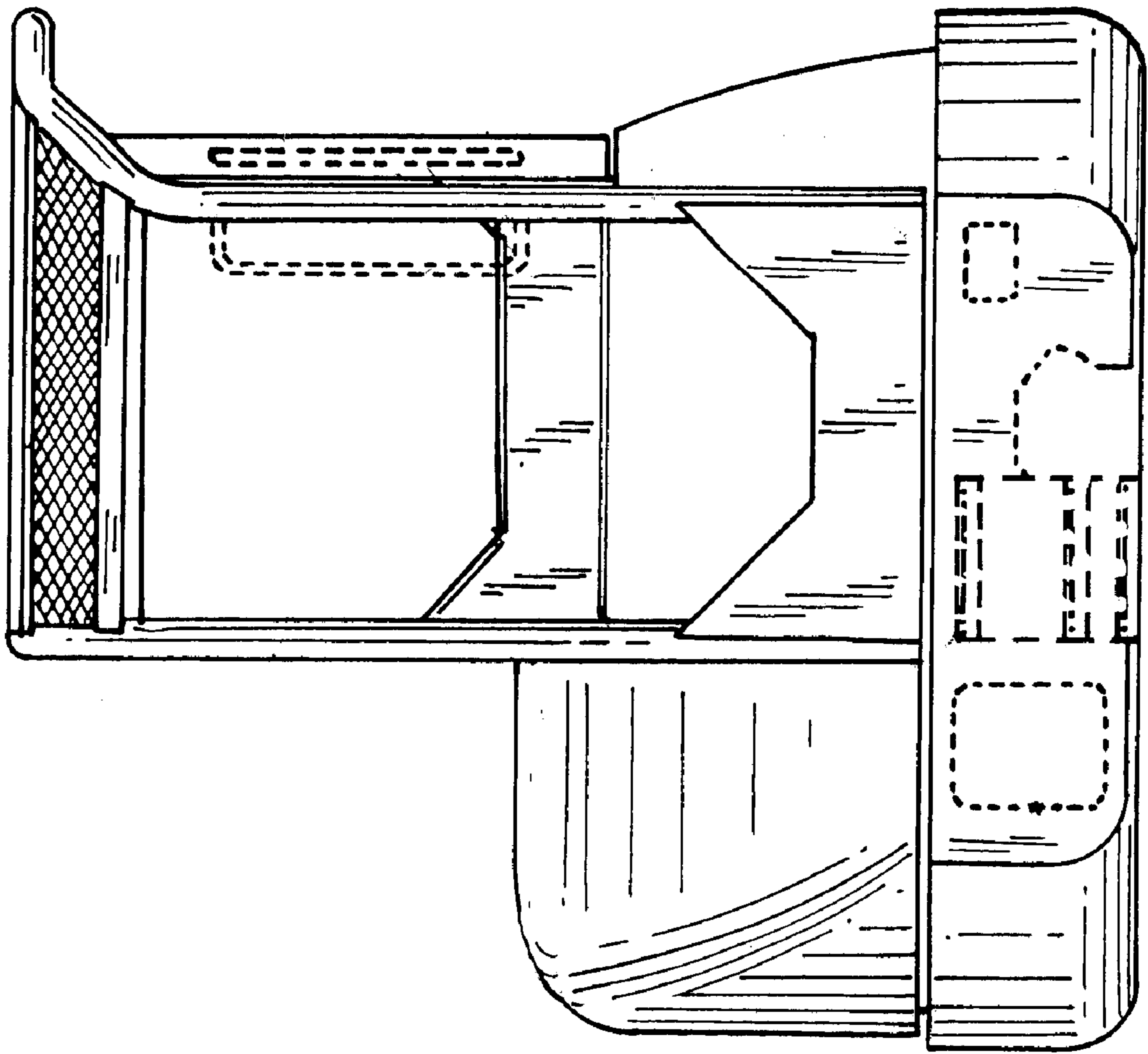
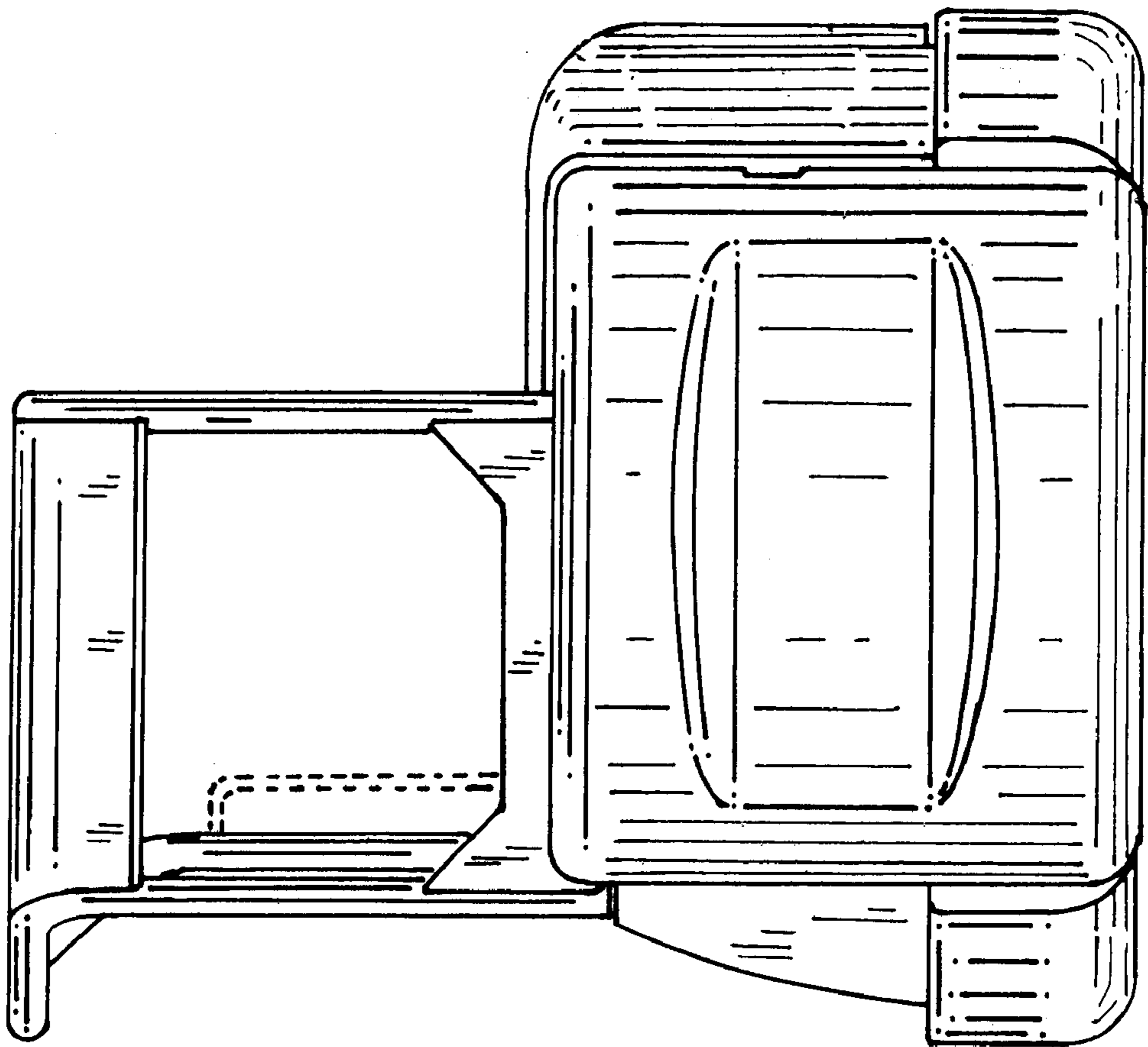


Fig. 5

Fig. 6



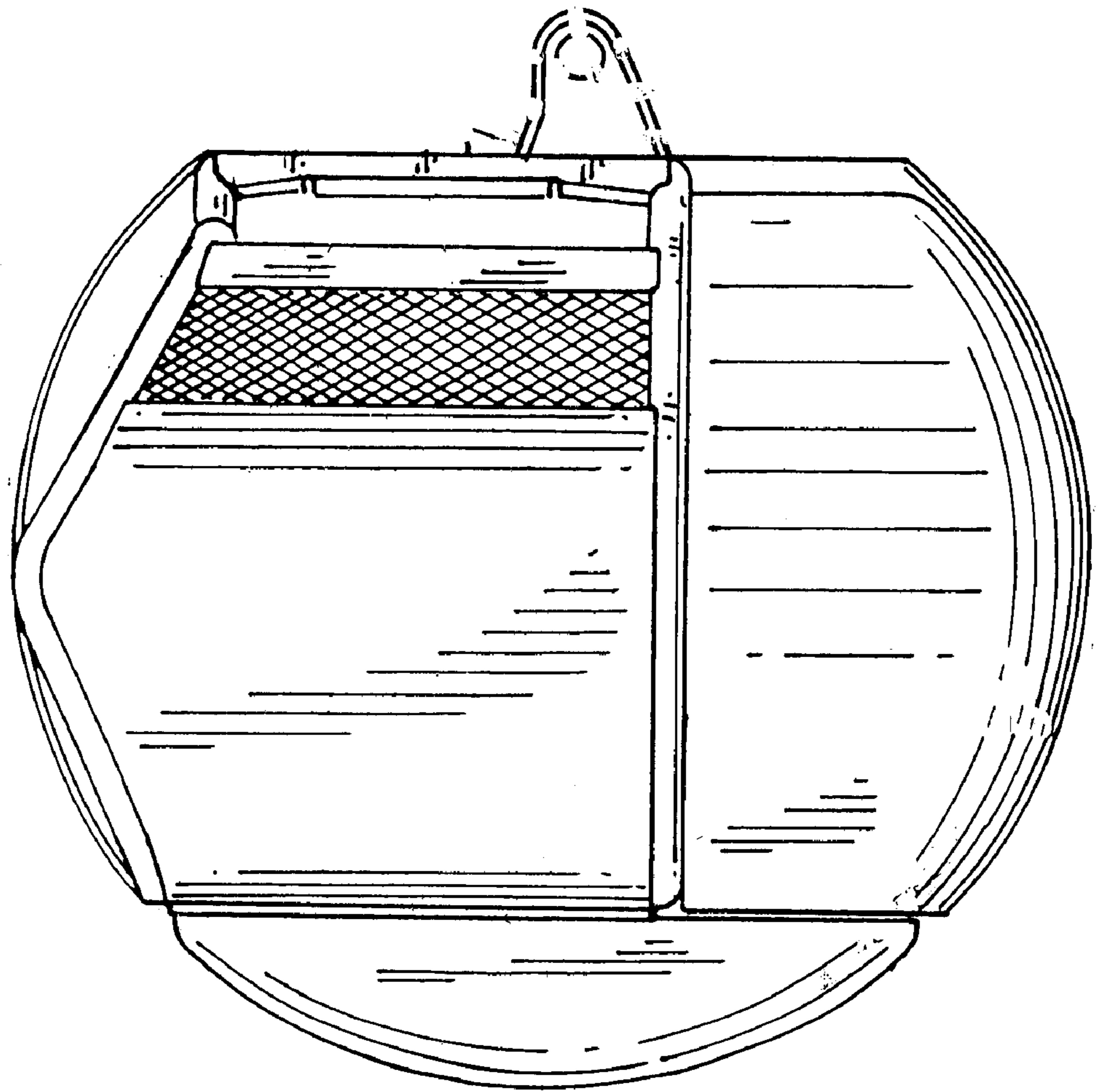
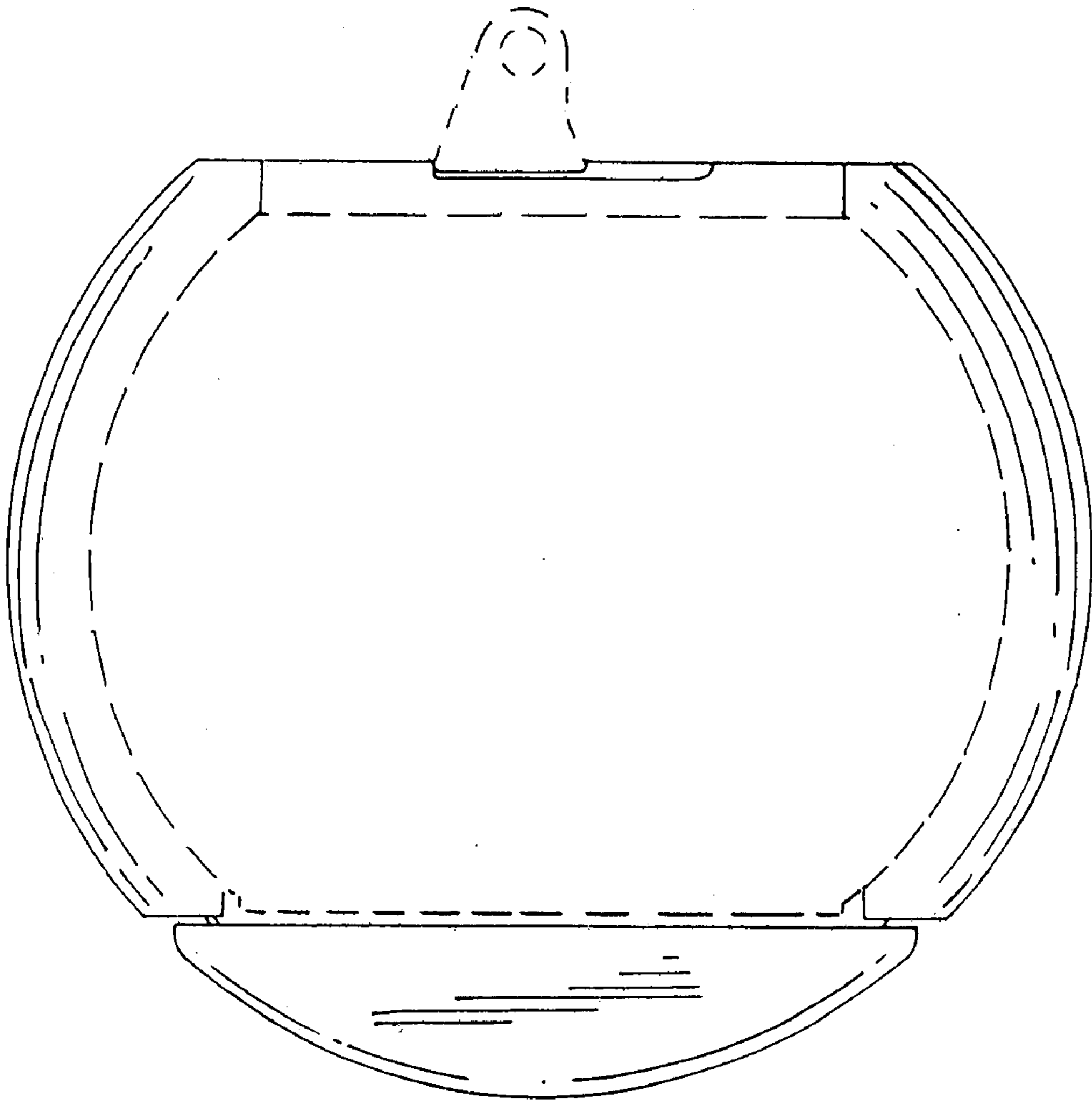


Fig. 7

Fig. 8



UNITED STATES PATENT AND TRADEMARK OFFICE
CERTIFICATE OF CORRECTION

PATENT NO. : Des. 487,100 S
DATED : February 24, 2004
INVENTOR(S) : Thomas J. Tokach et al.

Page 1 of 1

It is certified that error appears in the above-identified patent and that said Letters Patent is hereby corrected as shown below:

Title page,

Item [57], **DESCRIPTION,**

Line 5, delete "a view in" and insert -- another --.

Line 5, delete "as seen from the front, top".

Line 6, delete "and side opposite that shown in FIG. 1" and insert -- view with environmental portions of the vehicle removed --.

Line 7, delete "view in side elevation" and insert -- side elevation opposite the side shown in Figure 2 --.

Line 8, delete "view in".

Line 10, delete "view in front elevation" and insert -- front elevational view --.

Line 11, delete "view in rear elevation" and insert -- rear elevational view --.

Line 12, delete "and," and insert -- and --.

Signed and Sealed this

Twenty-ninth Day of June, 2004



JON W. DUDAS

Acting Director of the United States Patent and Trademark Office