



US00D487099S

(12) **United States Design Patent**
Bruns et al.

(10) **Patent No.:** **US D487,099 S**

(45) **Date of Patent:** **** Feb. 24, 2004**

(54) **MATERIAL FEED FINGER**

(76) Inventors: **Steven A. Bruns**, 120 Eastgate Dr. SE.,
Hutchinson, MN (US) 55350; **Mark W.**
Bruns, 120 Eastgate Dr. SE.,
Hutchinson, MN (US) 55350

(**) **Term:** **14 Years**

(21) **Appl. No.:** **29/152,510**

(22) **Filed:** **Dec. 26, 2001**

(51) **LOC (7) Cl.** **15-03**

(52) **U.S. Cl.** **D15/28**

(58) **Field of Search** D15/10, 11, 28,
D15/27; 37/420; 198/457.07, 408, 613,
693, 517, 692, 743; 56/10.26, 14.6

(56) **References Cited**

U.S. PATENT DOCUMENTS

| | | | |
|-------------|-----------|------------------|---------|
| 133,745 A | 12/1872 | Bristol | |
| 1,847,399 A | 3/1932 | Innes | |
| 1,896,626 A | 2/1933 | Innes | |
| 2,133,143 A | 10/1938 | Innes | |
| 2,286,095 A | 6/1942 | Innes | |
| 2,633,231 A | 3/1953 | Pilcher | |
| 2,644,292 A | 7/1953 | Oberholtz et al. | |
| 2,701,634 A | 2/1955 | Carroll | |
| 2,748,921 A | 6/1956 | White | |
| 2,849,103 A | 8/1958 | Scheffter et al. | |
| 2,893,537 A | 7/1959 | Krahn | |
| 2,895,590 A | 7/1959 | Snow | |
| 3,142,375 A | 7/1964 | Luke | |
| 3,215,259 A | 11/1965 | Evans | |
| 3,411,615 A | 11/1968 | Schwalm | |
| 3,613,346 A | 10/1971 | Hubbard | |
| 3,620,359 A | * 11/1971 | Smith | 198/743 |
| 3,785,132 A | 1/1974 | Wilson | |

| | | | |
|-------------|----------|-------------------|---------|
| 3,859,777 A | 1/1975 | Doering | |
| 3,880,073 A | * 4/1975 | Eberly et al. | 198/692 |
| 3,943,845 A | * 3/1976 | Mecklin et al. | 198/517 |
| D248,557 S | * 7/1978 | Gobin et al. | D15/17 |
| 4,271,956 A | 6/1981 | Hutchinson et al. | |
| 4,341,297 A | * 7/1982 | Turner | 198/408 |
| D289,172 S | 4/1987 | Bolinger | |
| 5,293,730 A | 3/1994 | Bich et al. | |
| D371,797 S | * 7/1996 | Bruns | D15/28 |

* cited by examiner

Primary Examiner—Mitchell Siegel

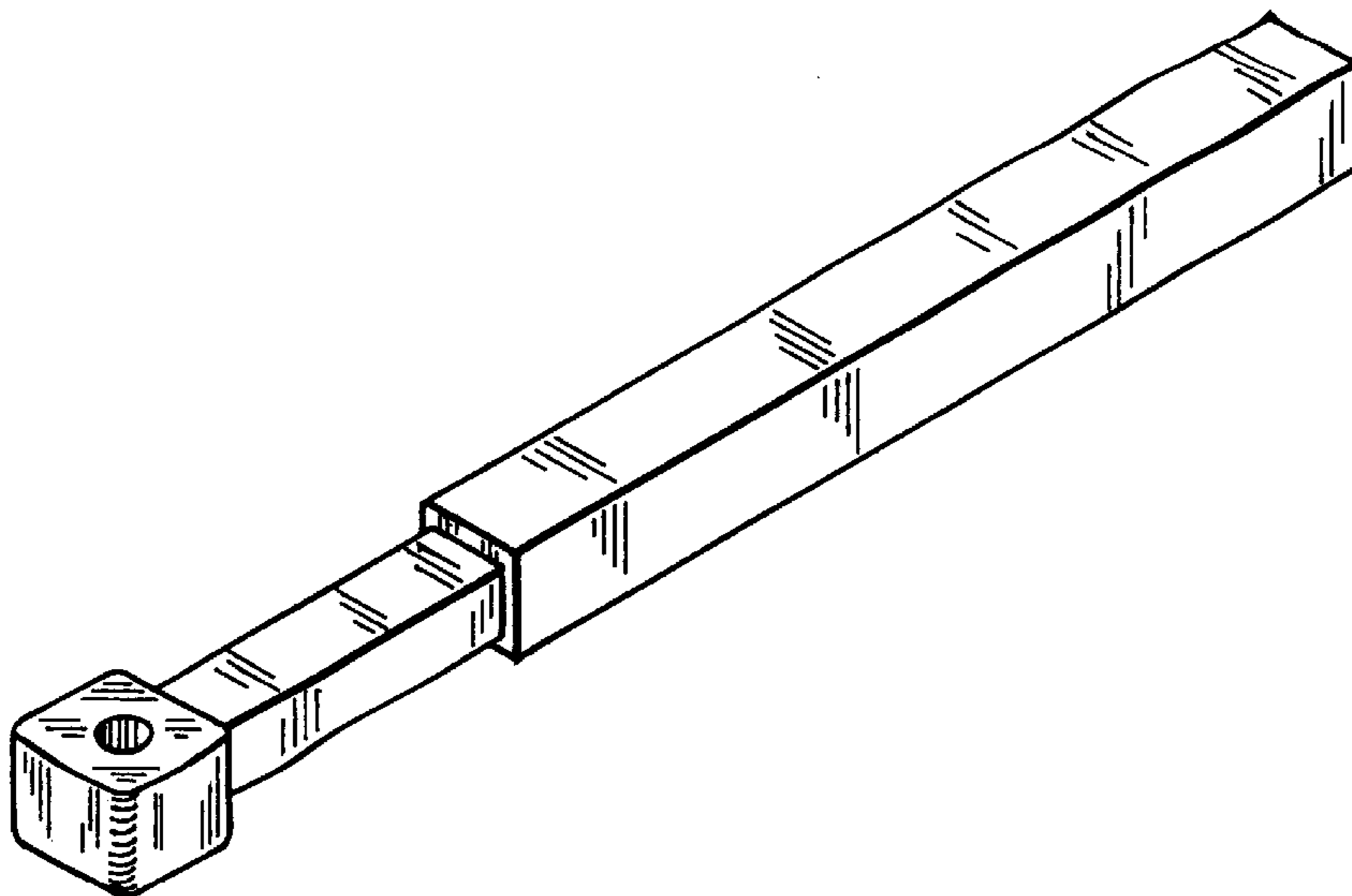
(57) **CLAIM**

The ornamental design of a material feed finger, as shown and described.

DESCRIPTION

FIG. 1 is a perspective view of a material feed finger of our new design;
 FIG. 2 is a top plan view thereof, the bottom plan view being a mirror image thereof;
 FIG. 3 is a front elevational view thereof, the rear elevational view being a mirror image thereof;
 FIG. 4 is an end elevational view of the left end thereof;
 FIG. 5 is an end elevational view of the right end thereof;
 FIG. 6 is a perspective view of a first modification of the material feed finger of FIG. 1;
 FIG. 7 is a top plan view of FIG. 6, the bottom plan view being a mirror image thereof;
 FIG. 8 is a front elevational view of FIG. 7, the rear elevational view being a mirror image thereof;
 FIG. 9 is an end elevational view of the left end of FIG. 6; and,
 FIG. 10 is an end elevational view of the right end of FIG. 6.

1 Claim, 2 Drawing Sheets



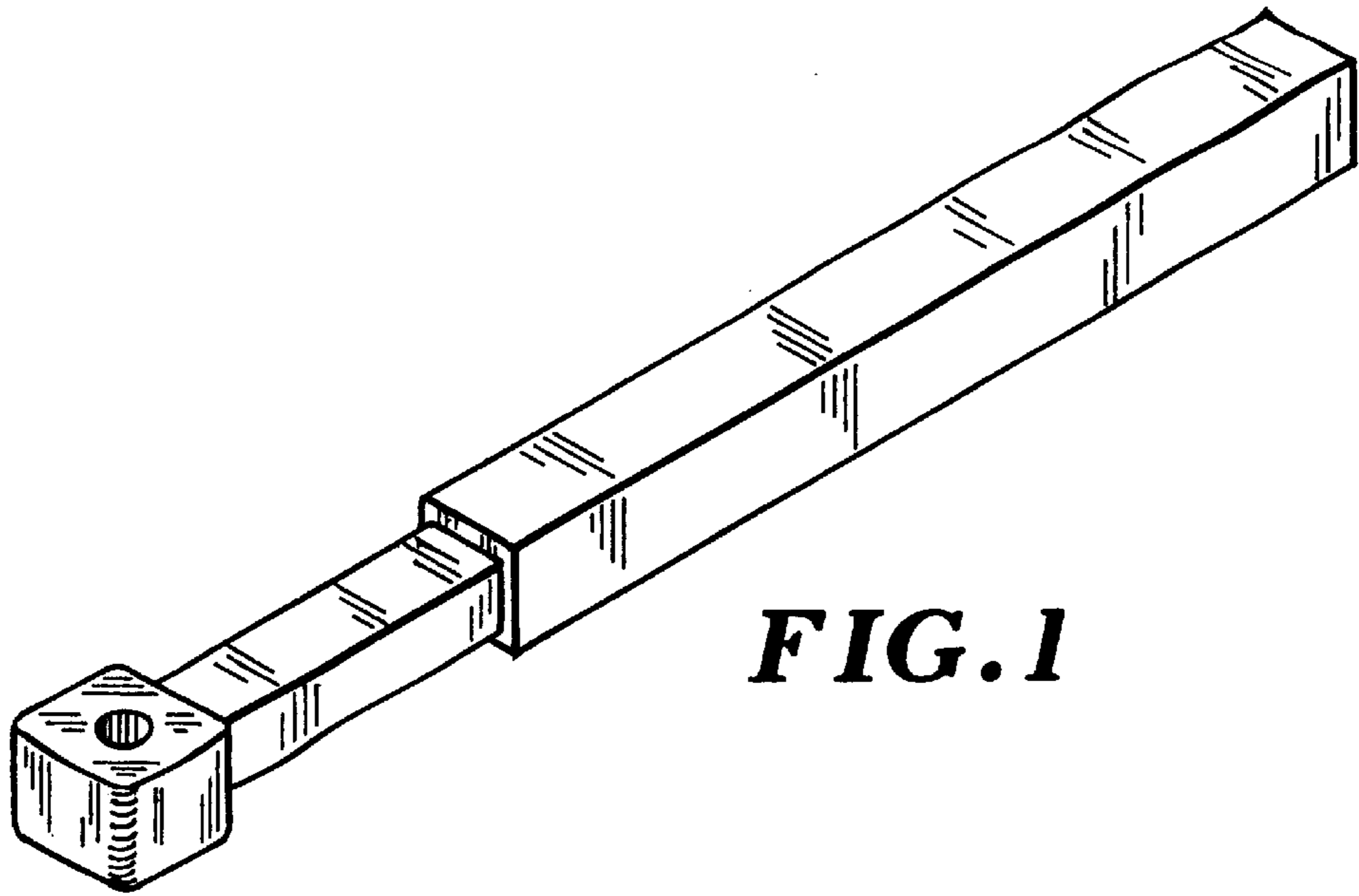


FIG. 1



FIG. 2



FIG. 3



FIG. 4



FIG. 5

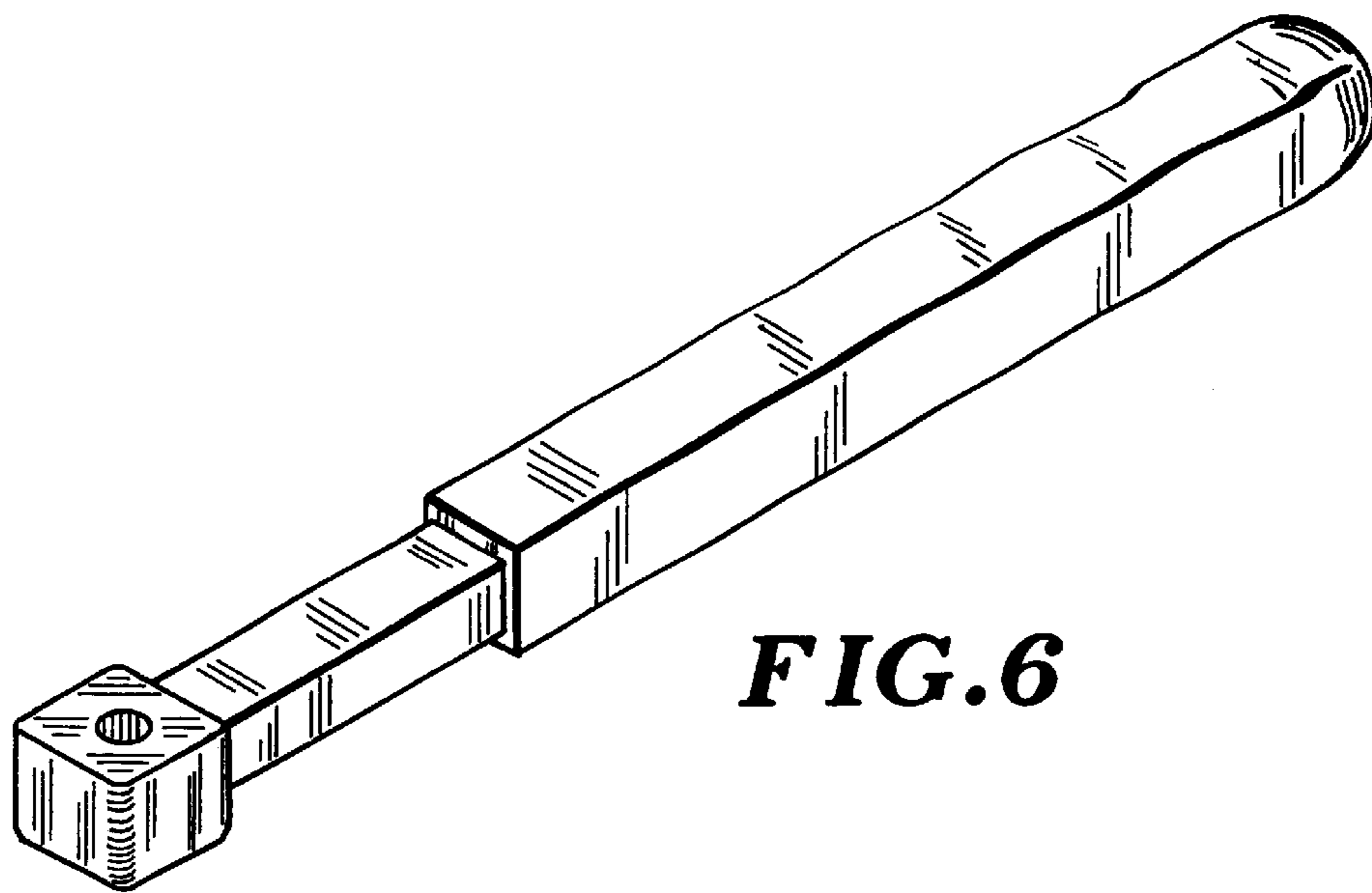


FIG. 6

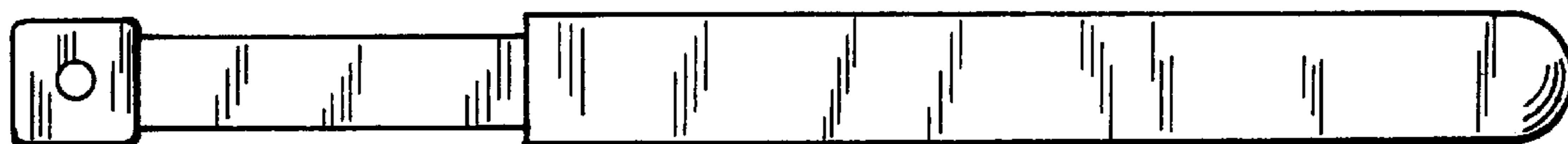


FIG. 7

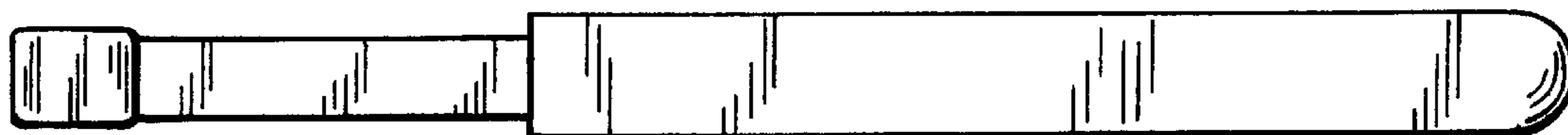


FIG. 8

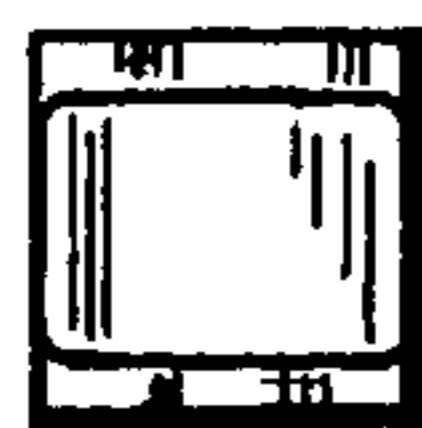


FIG. 9



FIG. 10