



US00D487098S

(12) **United States Design Patent**
Arfstrom et al.

(10) **Patent No.:** **US D487,098 S**

(45) **Date of Patent:** **** Feb. 24, 2004**

(54) **BLADE**

(75) **Inventors:** **Jack Edward Arfstrom**, Rubicon, WI (US); **John William Hopkins**, Charlotte, NC (US); **David James Pahl**, Charlotte, NC (US)

(73) **Assignee:** **Deere & Co.**, Moline, IL (US)

(**) **Term:** **14 Years**

(21) **Appl. No.:** **29/170,299**

(22) **Filed:** **Nov. 1, 2002**

(51) **LOC (7) Cl.** **15-03**

(52) **U.S. Cl.** **D15/17**

(58) **Field of Search** D15/14, 17, 28; 30/276, 347; 56/295, 255, 289, 13.4, 17.5

(56) **References Cited**

U.S. PATENT DOCUMENTS

2,627,156 A	2/1953	Carter	56/295
2,857,729 A	* 10/1958	Zoldok	56/295
3,252,304 A	5/1966	Moody	64/29
3,910,017 A	10/1975	Thorud et al.	56/295
4,229,933 A	10/1980	Bernard	56/295
4,594,843 A	6/1986	Andersson et al.	56/295
4,651,510 A	* 3/1987	Malutich	56/295
D289,524 S	* 4/1987	Andersson et al.	D15/17
5,271,212 A	12/1993	Anderson	56/12.7
5,284,006 A	2/1994	Sheldon	56/255

5,321,940 A	6/1994	Peterson	56/255
5,327,710 A	7/1994	Plamper et al.	56/255
5,353,581 A	10/1994	Rouse et al.	56/255
D357,691 S	4/1995	Bryant	D15/17
5,438,819 A	8/1995	Dallman	56/295
5,457,947 A	10/1995	Samejima et al.	56/16.7
5,669,213 A	9/1997	Britton	56/17.5
5,711,141 A	1/1998	Pitman et al.	56/255
6,052,979 A	4/2000	Tutschka	56/295
D440,580 S	* 4/2001	Cooper et al.	D15/17
D450,066 S	* 11/2001	Monesmith	D15/17
6,427,341 B1	8/2002	Lee	30/347

* cited by examiner

Primary Examiner—Mitchell Siegel

(57) **CLAIM**

The ornamental design for a blade, as shown and described.

DESCRIPTION

FIG. 1 is a left front elevated perspective view of a blade showing our new design.

FIG. 2 is a plan view of the blade design of FIG. 1.

FIG. 3 is a front view of the blade design of FIG. 1.

FIG. 4 is a bottom view of the blade design of FIG. 1.

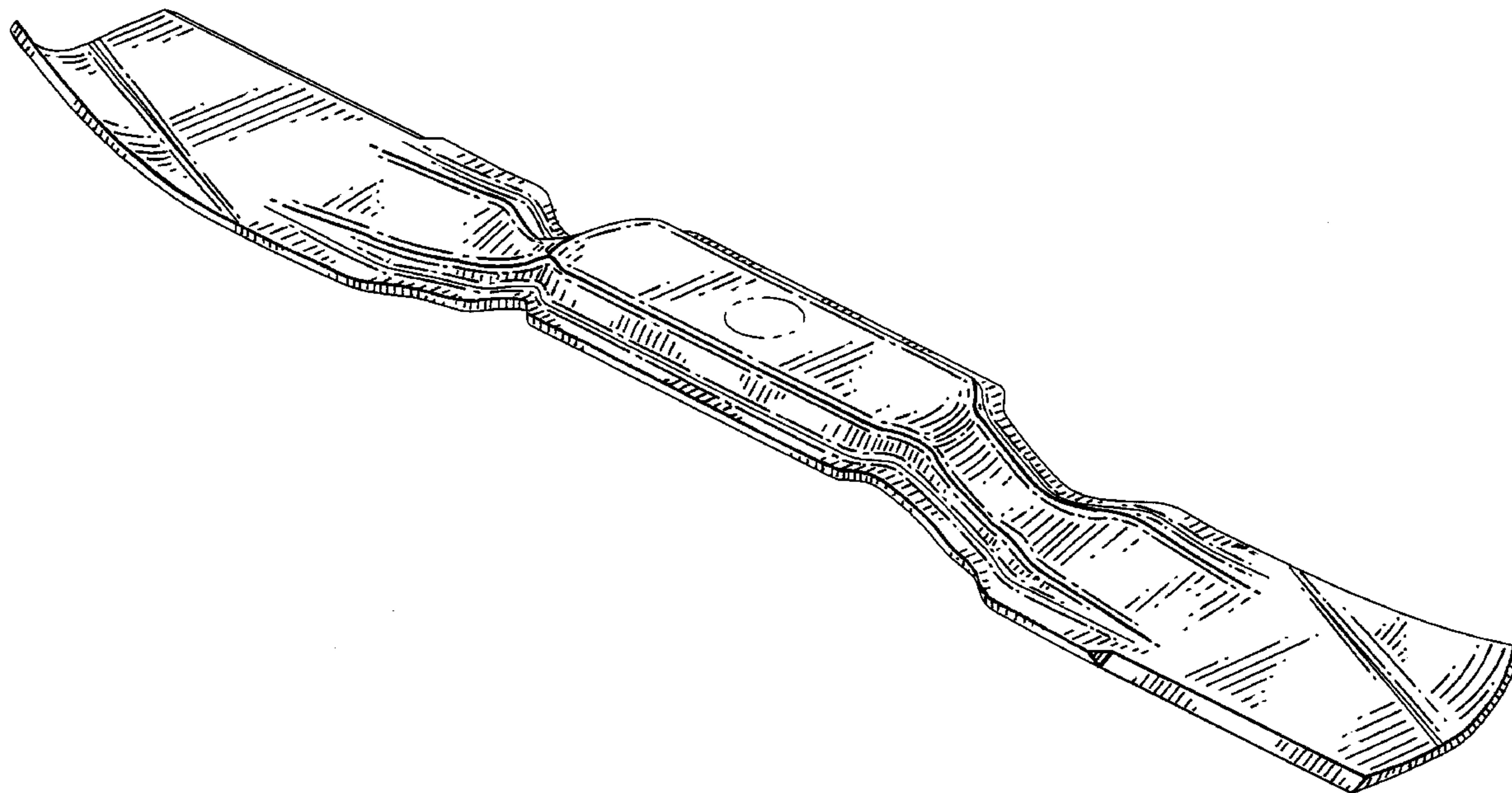
FIG. 5 is a rear view of the blade design of FIG. 1.

FIG. 6 is a left end view of the blade design of FIG. 1 and,

FIG. 7 is a right end view of the blade design of FIG. 1.

The broken line showing is for illustrative purposes only and forms no part of the claimed design.

1 Claim, 3 Drawing Sheets



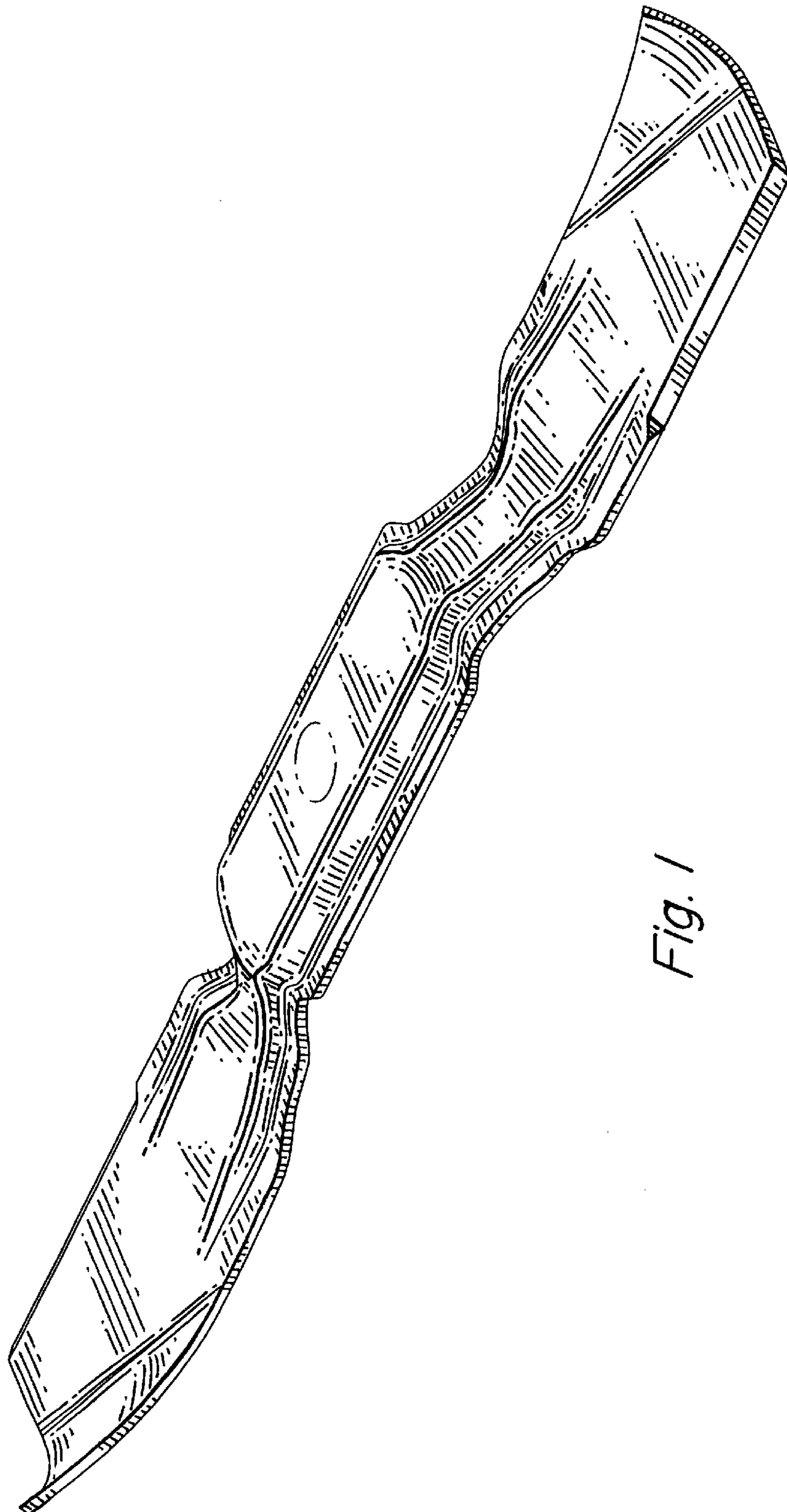


Fig. 1

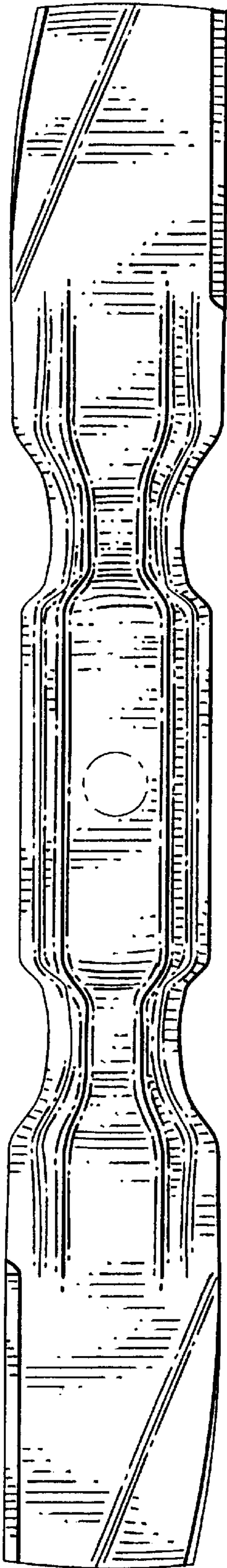


Fig. 2



Fig. 3

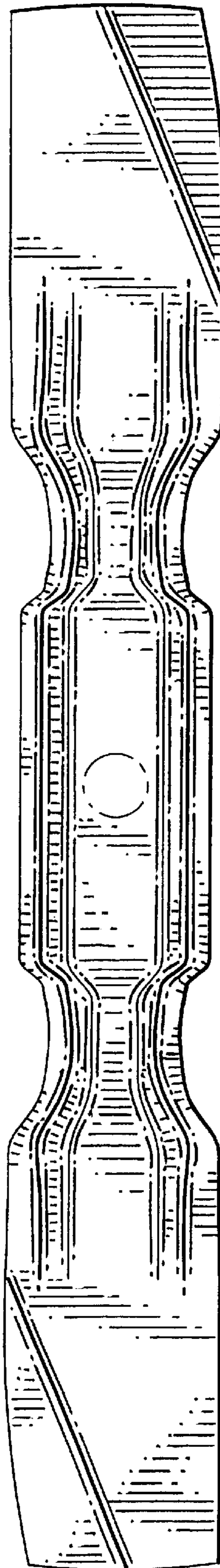


Fig. 4

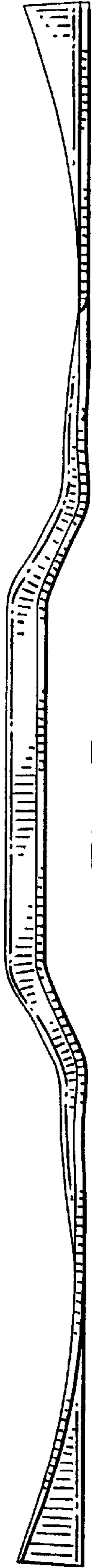


Fig. 5

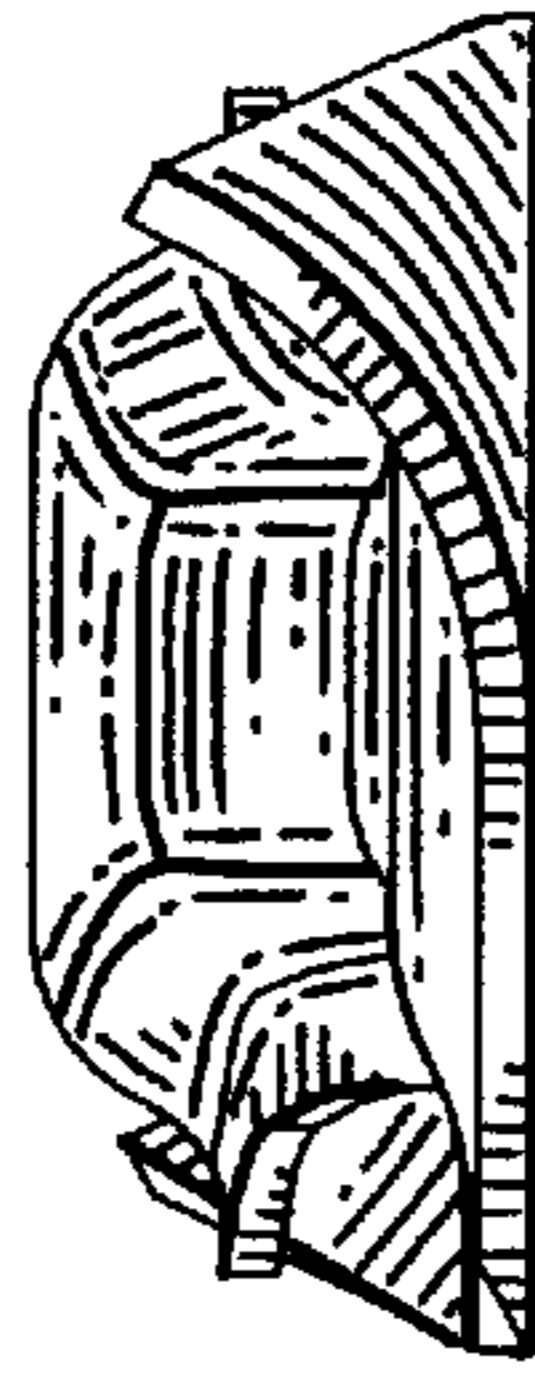


Fig. 6



Fig. 7