



US00D487097S

(12) **United States Design Patent**  
**Buck**

(10) **Patent No.:** **US D487,097 S**

(45) **Date of Patent:** **\*\* Feb. 24, 2004**

(54) **AIR COMPRESSOR**

(75) **Inventor:** **John E. Buck**, Cockeysville, MD (US)

(73) **Assignee:** **Black & Decker Inc.**, Newark, DE (US)

(\*\*) **Term:** **14 Years**

(21) **Appl. No.:** **29/178,053**

(22) **Filed:** **Mar. 20, 2003**

(51) **LOC (7) Cl.** ..... **15-02**

(52) **U.S. Cl.** ..... **D15/9**

(58) **Field of Search** ..... D15/7-9; 307/150;  
290/1 A; 137/899.4; 239/172; D13/112,  
114; 417/234; 280/47.18

D293,584 S	1/1988	Morgan	
D293,585 S	1/1988	Morgan	
4,722,673 A	2/1988	Grime et al.	
5,217,238 A	* 6/1993	Cyphers et al. ....	280/47.18
D352,292 S	11/1994	Morgan	
D352,293 S	11/1994	Morgan	
D352,294 S	11/1994	Morgan	
6,004,103 A	12/1999	Fisher et al.	
D423,518 S	4/2000	Milligan et al.	
D444,796 S	* 7/2001	Morgan .....	D15/9
D445,115 S	7/2001	Hutchinson et al.	
D449,311 S	10/2001	Graber et al.	
D450,061 S	* 11/2001	Graber et al. ....	D15/9
6,406,270 B1	6/2002	Kopel	
D460,763 S	* 7/2002	Buck .....	D15/9
D461,196 S	* 8/2002	Buck .....	D15/9
6,468,048 B1	10/2002	Burkholder et al.	
D471,918 S	* 3/2003	Buck .....	D15/9
D471,919 S	* 3/2003	Buck .....	D15/9
D472,519 S	* 4/2003	Buck .....	D13/114

(56) **References Cited**

**U.S. PATENT DOCUMENTS**

D140,642 S	3/1945	Mandt et al.	
D144,482 S	4/1946	Davis et al.	
2,434,675 A	1/1948	Simpson	
2,490,305 A	12/1949	Jones	
2,521,313 A	9/1950	Sproat	
D170,330 S	9/1953	Miller	
2,685,404 A	8/1954	Wohlmeyer	
2,772,921 A	12/1956	Nance	
2,804,259 A	8/1957	Ralston	
2,812,895 A	11/1957	Peeps	
2,826,354 A	3/1958	Field	
D185,000 S	4/1959	Hoover	
D197,860 S	3/1964	Winger	
3,433,415 A	3/1969	Enssle	
D223,039 S	2/1972	Widmer	
D231,132 S	* 4/1974	Seastrom .....	D15/7
D231,226 S	4/1974	Monroe	
D243,282 S	2/1977	Burenga	
4,077,747 A	3/1978	Burenga	
D249,265 S	9/1978	Nanjo	
D273,011 S	3/1984	Dudley	
D273,493 S	4/1984	Vitaloni	
D278,425 S	4/1985	Tochihiko	
D293,446 S	12/1987	Morgan	

\* cited by examiner

*Primary Examiner*—Ralf Seifert

(74) *Attorney, Agent, or Firm*—Michael P. Leary; Adan Ayala; Charles E. Yocum

(57) **CLAIM**

The ornamental design for an air compressor, as shown and described.

**DESCRIPTION**

FIG. 1 is a left rear perspective view of an air compressor showing a first embodiment of my new design.

FIG. 2 is a right side view of FIG. 1

FIG. 3 is a left side view of FIG. 1

FIG. 4 is a rear view of FIG. 1.0

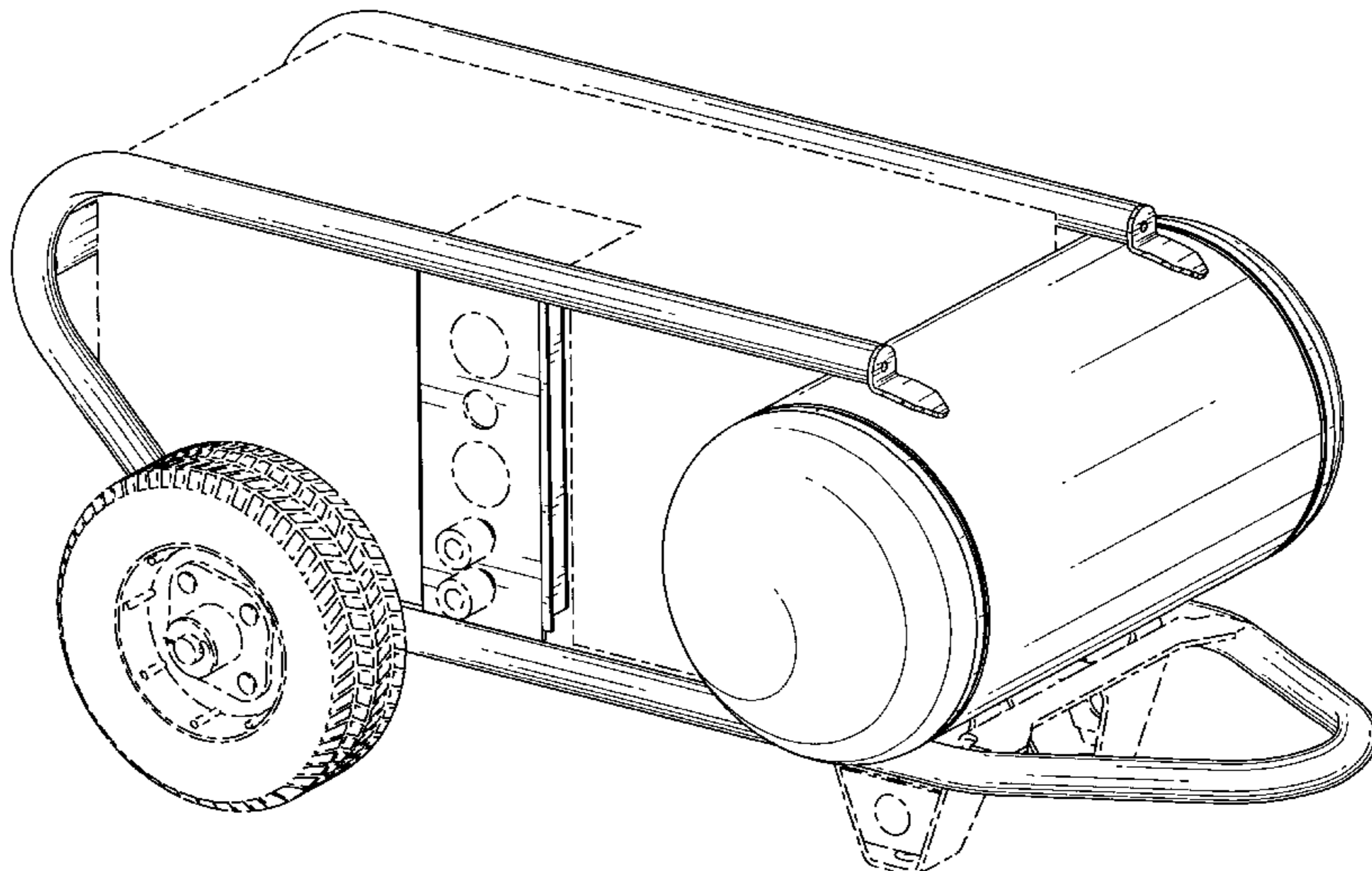
FIG. 5 is a front view of FIG. 1.

FIG. 6 is a top view of FIG. 1; and,

FIG. 7 is a bottom view of FIG. 1.

The dashed lines and the areas within the dashed lines form no part of the claimed ornamental design.

**1 Claim, 7 Drawing Sheets**



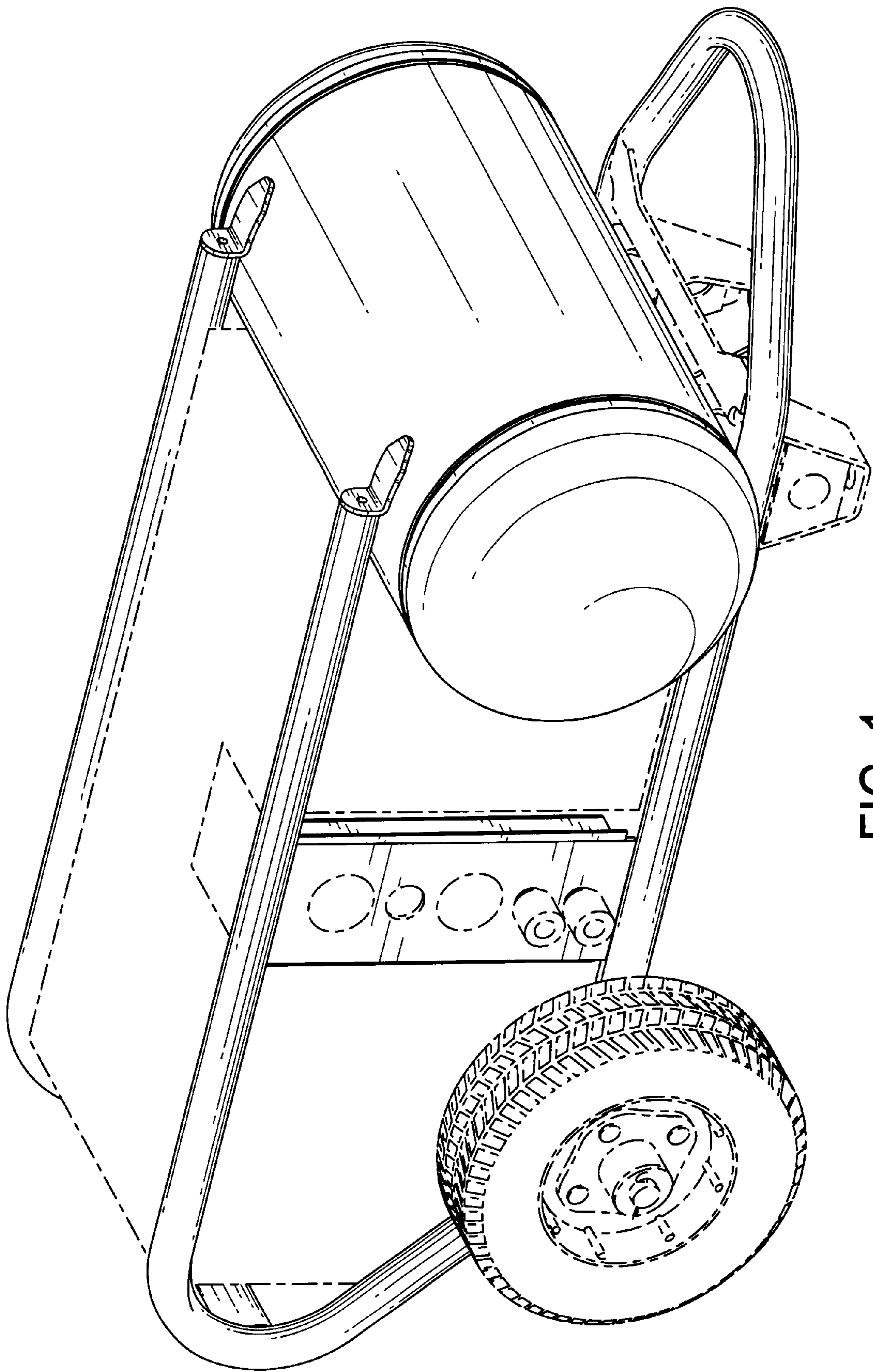


FIG. 1

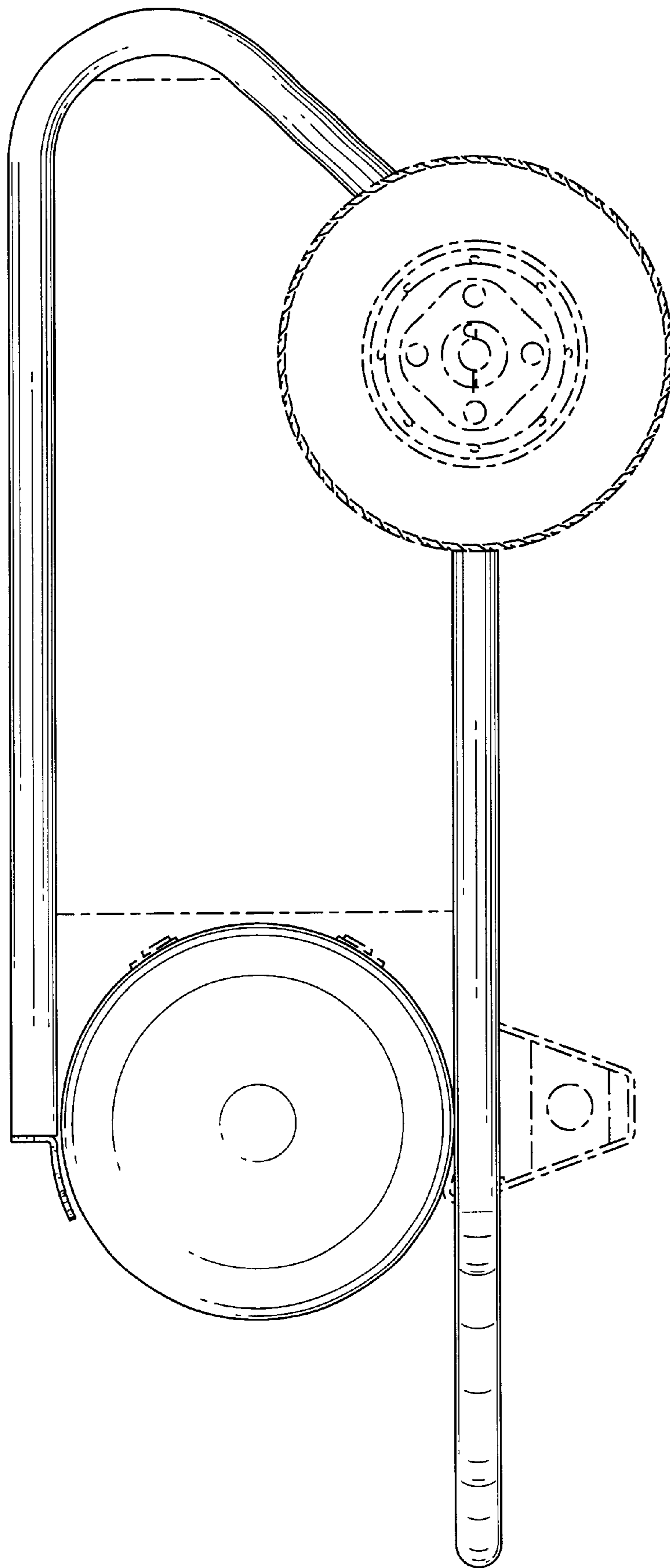


FIG. 2

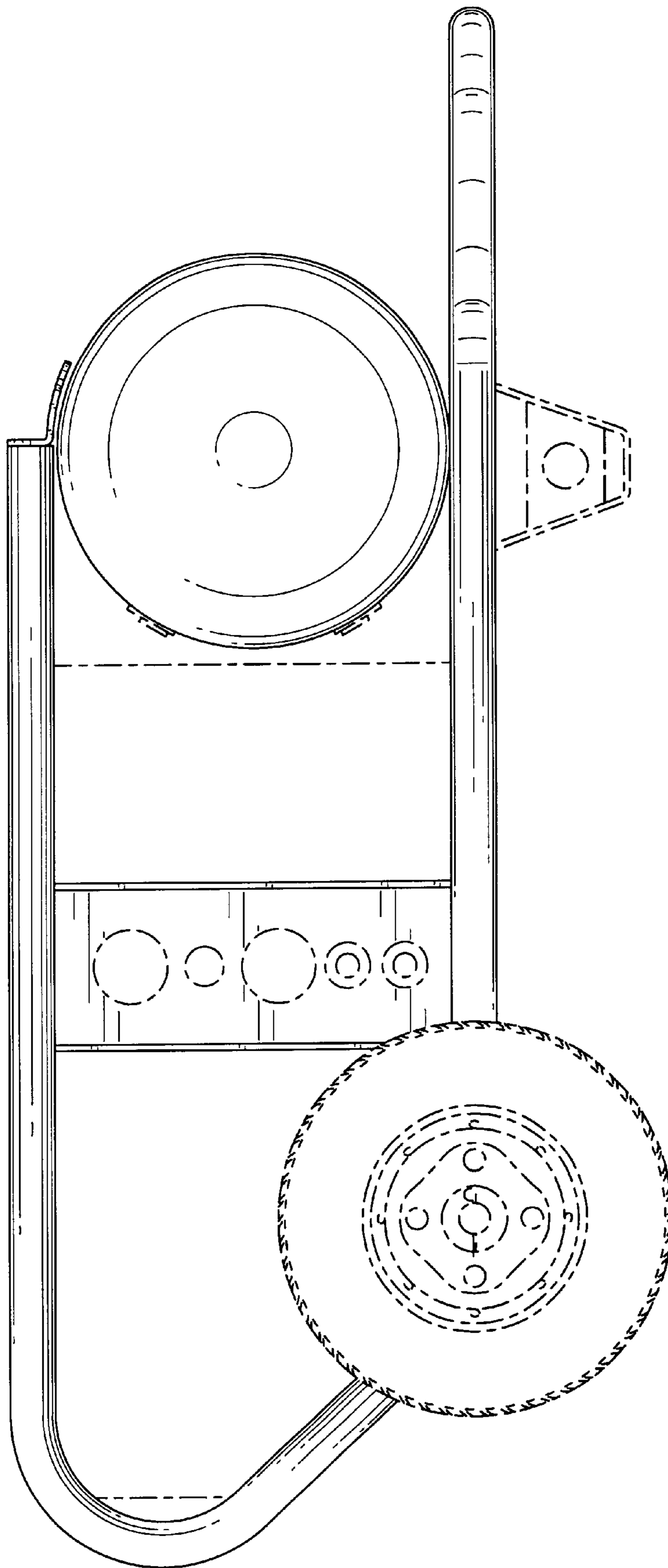


FIG. 3

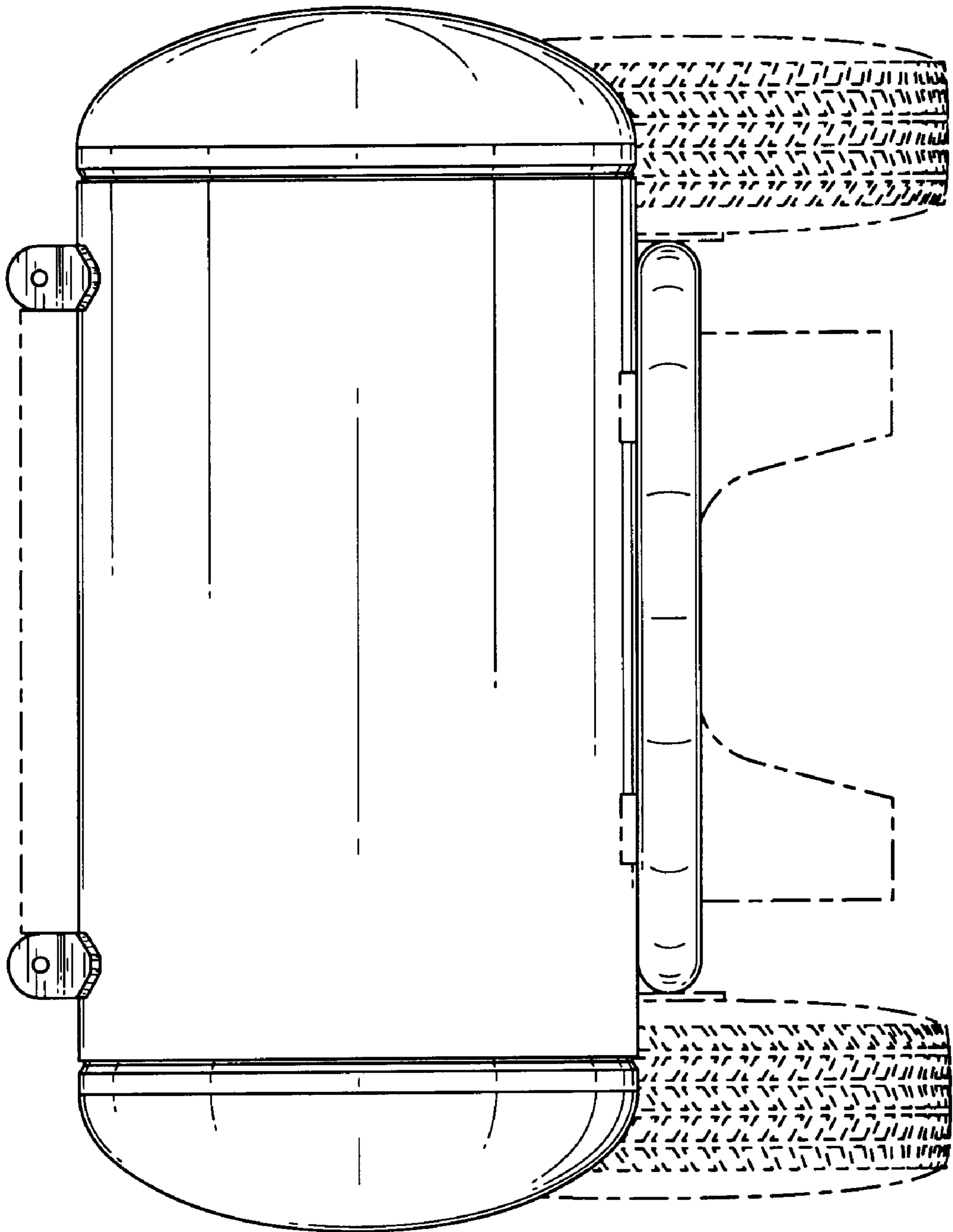


FIG. 4

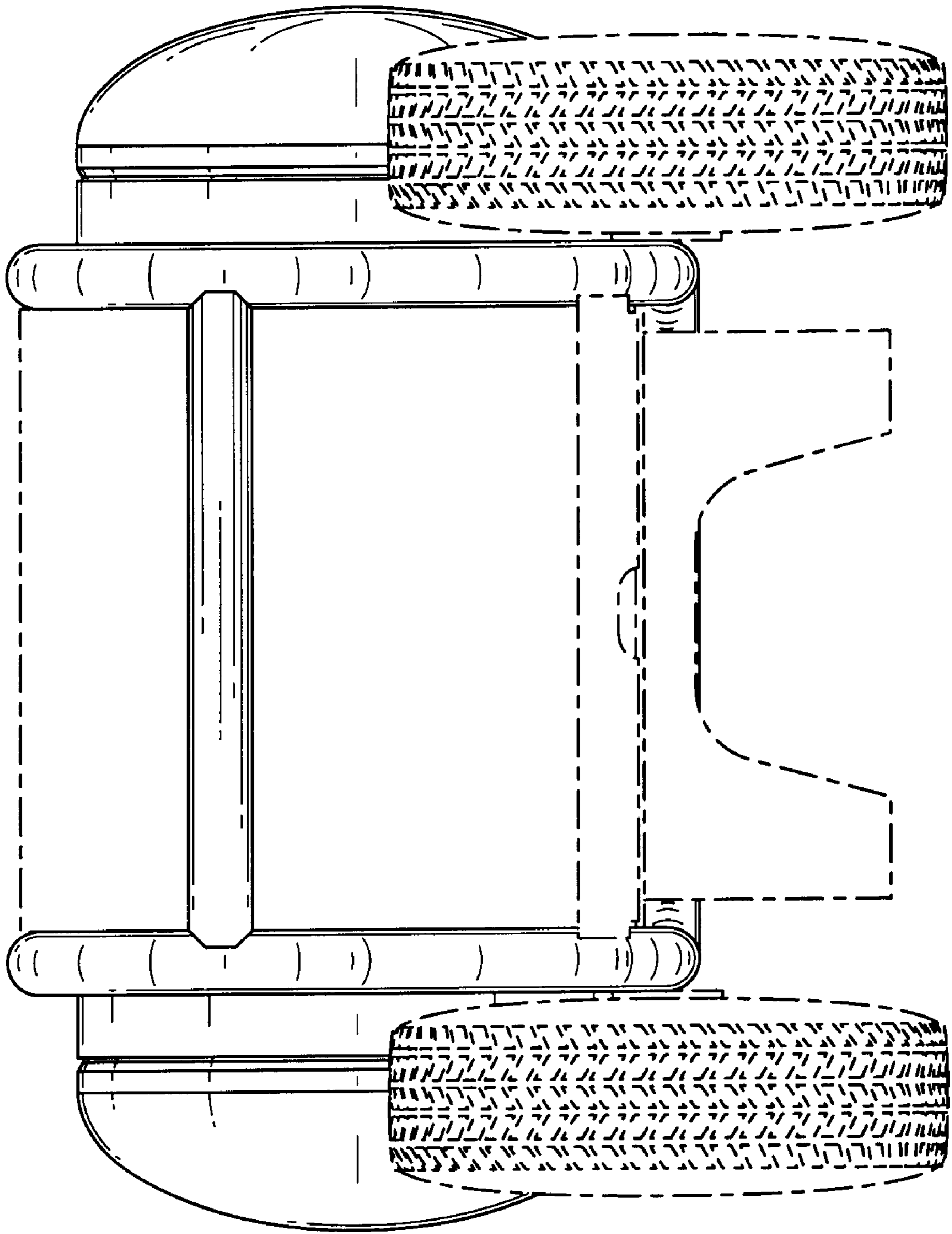


FIG. 5

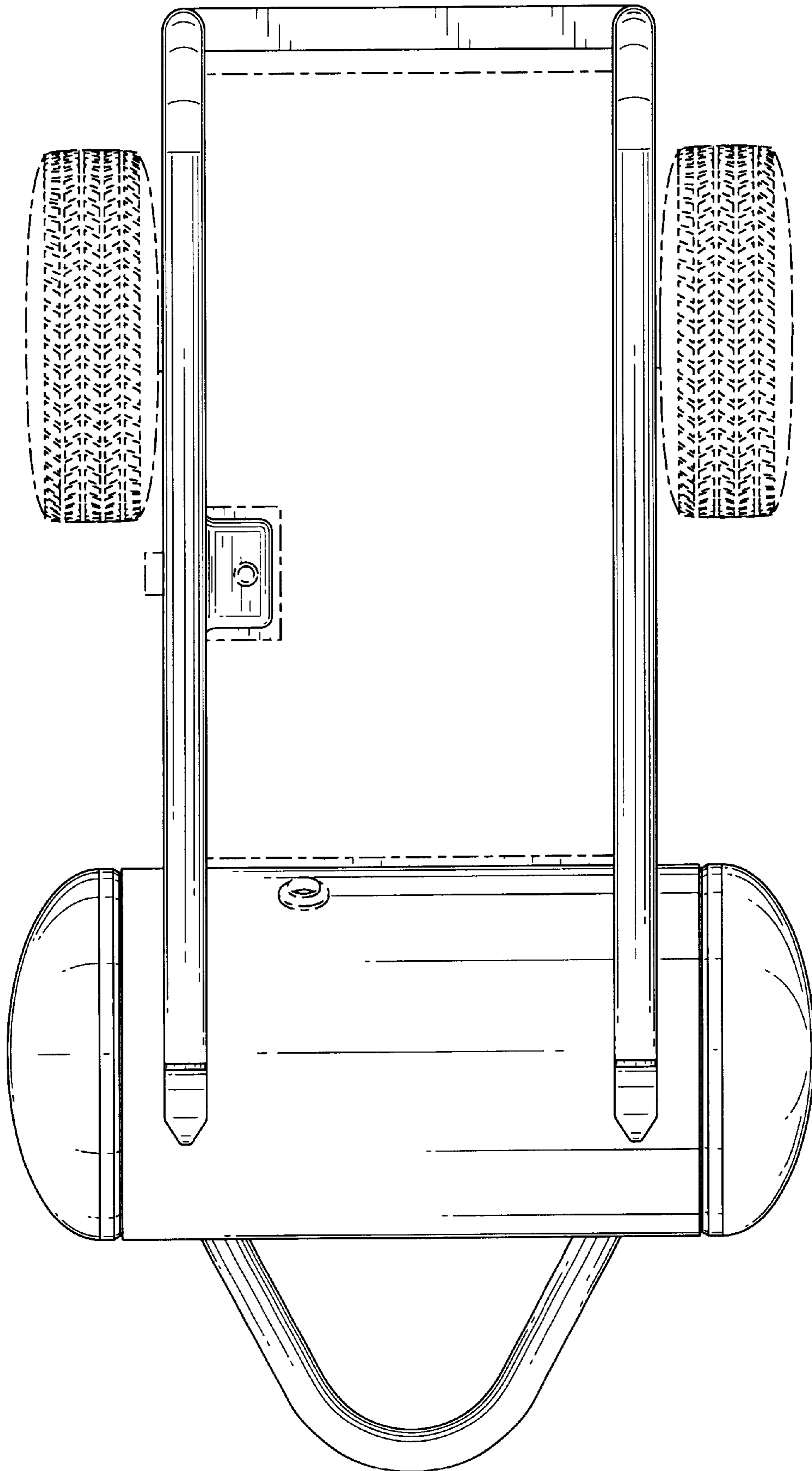


FIG. 6

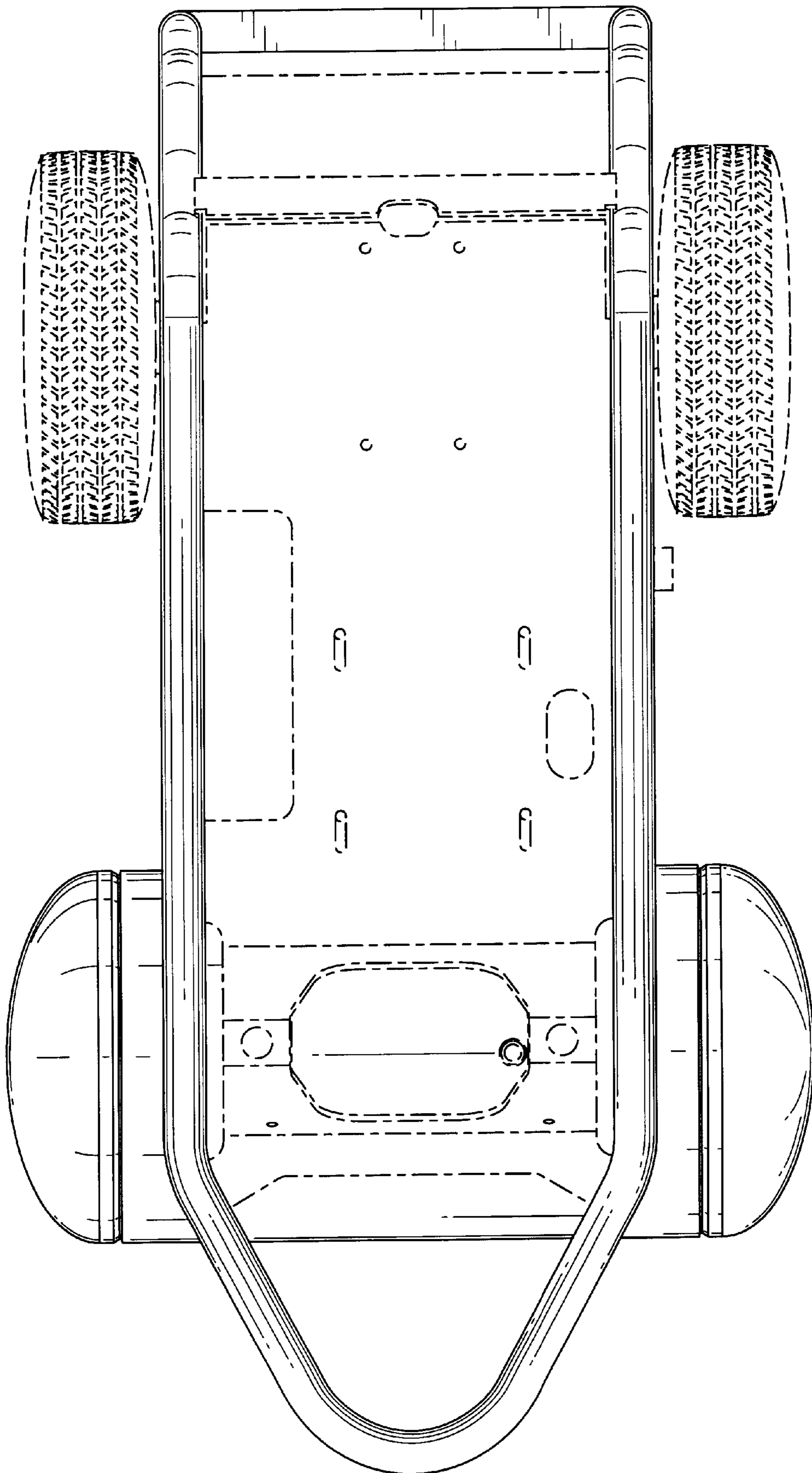


FIG. 7