



US00D487096S

(12) **United States Design Patent**  
**Buck**

(10) **Patent No.:** **US D487,096 S**

(45) **Date of Patent:** **\*\* Feb. 24, 2004**

- (54) **AIR COMPRESSOR**
- (75) Inventor: **John E. Buck**, Cockeysville, MD (US)
- (73) Assignee: **Black & Decker Inc.**, Newark, DE (US)
- (\*\*) Term: **14 Years**
- (21) Appl. No.: **29/178,028**
- (22) Filed: **Mar. 20, 2003**
- (51) **LOC (7) Cl.** ..... **15-02**
- (52) **U.S. Cl.** ..... **D15/9**
- (58) **Field of Search** ..... D15/7-9; 307/150; 290/1 A; 137/899.4; 239/172; D13/112, 114; 417/234; 280/47.18

- D293,446 S 12/1987 Morgan
- D293,584 S 1/1988 Morgan
- D293,585 S 1/1988 Morgan
- 4,722,673 A 2/1988 Grime et al.
- 5,217,238 A \* 6/1993 Cyphers et al. .... 280/47.18
- D352,292 S 11/1994 Morgan
- D352,293 S 11/1994 Morgan
- D352,294 S 11/1994 Morgan
- 6,004,103 A 12/1999 Fisher et al.
- D423,518 S 4/2000 Milligan et al.
- D445,115 S 7/2001 Hutchinson et al.
- D449,311 S 10/2001 Graber et al.
- D450,061 S \* 11/2001 Graber et al. .... D15/9
- 6,406,270 B1 6/2002 Kopel
- D460,763 S \* 7/2002 Buck ..... D15/9
- D461,196 S \* 8/2002 Buck ..... D15/9
- 6,468,048 B1 10/2002 Burkholder et al.
- D471,918 S \* 3/2003 Buck ..... D15/9
- D471,919 S \* 3/2003 Buck ..... D15/9
- D472,519 S \* 4/2003 Buck ..... D13/114

(56) **References Cited**

**U.S. PATENT DOCUMENTS**

- D140,642 S 3/1945 Mandt et al.
- D144,482 S 4/1946 Davis et al.
- 2,434,675 A 1/1948 Simpson
- 2,490,305 A 12/1949 Jones
- 2,521,313 A 9/1950 Sproat
- D170,330 S 9/1953 Miller
- 2,685,404 A 8/1954 Wohlmeyer
- 2,772,921 A 12/1956 Nance
- 2,804,259 A 8/1957 Ralston
- 2,812,895 A 11/1957 Peeps
- 2,826,354 A 3/1958 Field
- D185,000 S 4/1959 Hoover
- D197,860 S 3/1964 Winger
- 3,433,415 A 3/1969 Enssle
- D223,039 S 2/1972 Widmer
- D231,132 S \* 4/1974 Seastrom ..... D15/7
- D231,226 S 4/1974 Monroe
- D243,282 S 2/1977 Burenga
- 4,077,747 A 3/1978 Burenga
- D249,265 S 9/1978 Nanjo
- D273,011 S 3/1984 Dudley
- D273,493 S 4/1984 Vitaloni
- D278,425 S 4/1985 Toshihiko

\* cited by examiner

*Primary Examiner*—Ralf Seifert

(74) *Attorney, Agent, or Firm*—Michael P. Leary; Adan Ayala; Charles E. Yocum

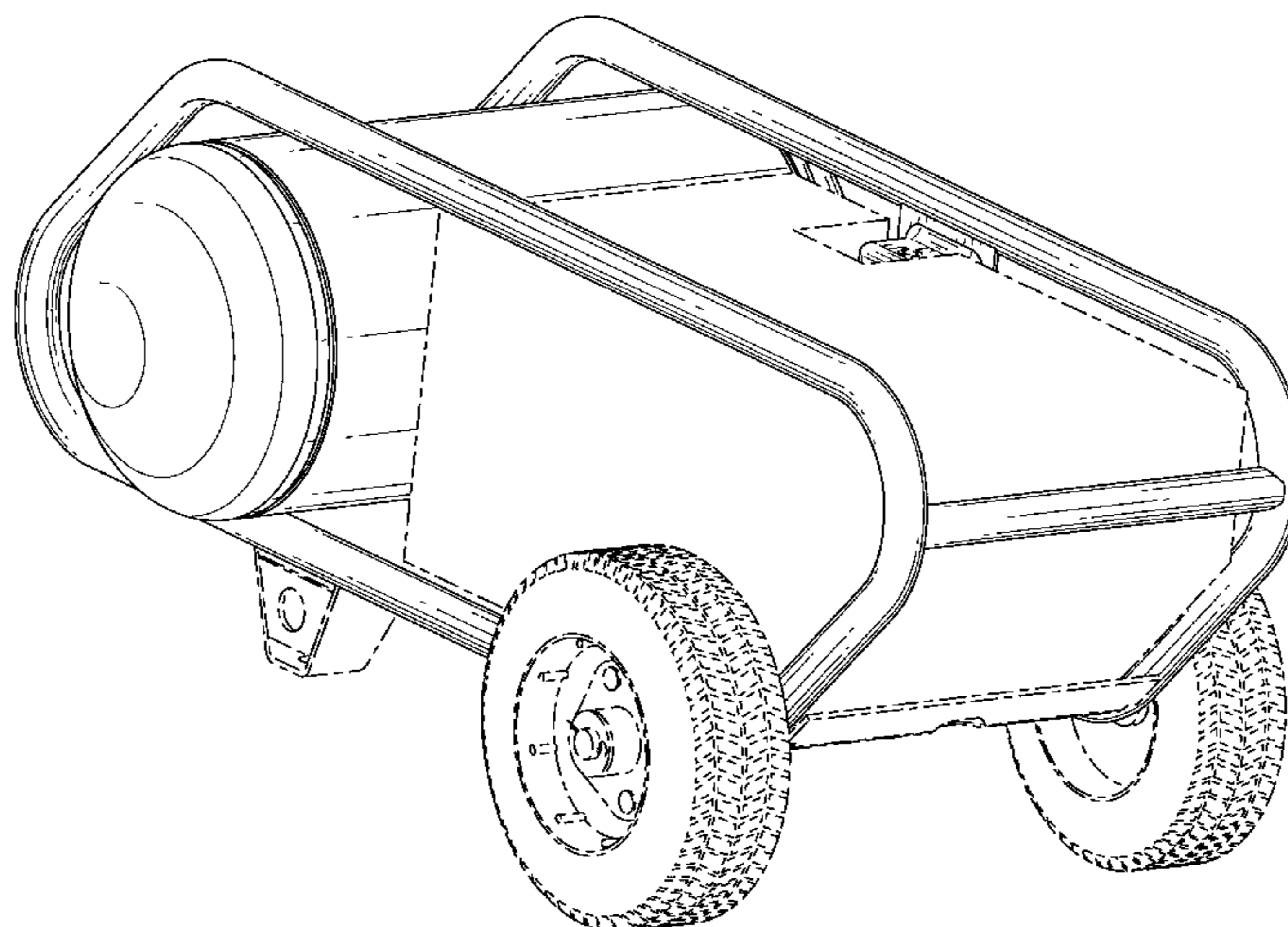
(57) **CLAIM**

The ornamental design for an air compressor, as shown and described.

**DESCRIPTION**

FIG. 1 is a right front perspective view of an air compressor showing a first embodiment of my new design.  
 FIG. 2 is a right side view of FIG. 1  
 FIG. 3 is a left side view of FIG. 1  
 FIG. 4 is a rear view of FIG. 1  
 FIG. 5 is a front view of FIG. 1.  
 FIG. 6 is a top view of FIG. 1; and,  
 FIG. 7 is a bottom view of FIG. 1.  
 The dashed lines and the areas within the dashed lines form no part of the claimed ornamental design.

**1 Claim, 7 Drawing Sheets**



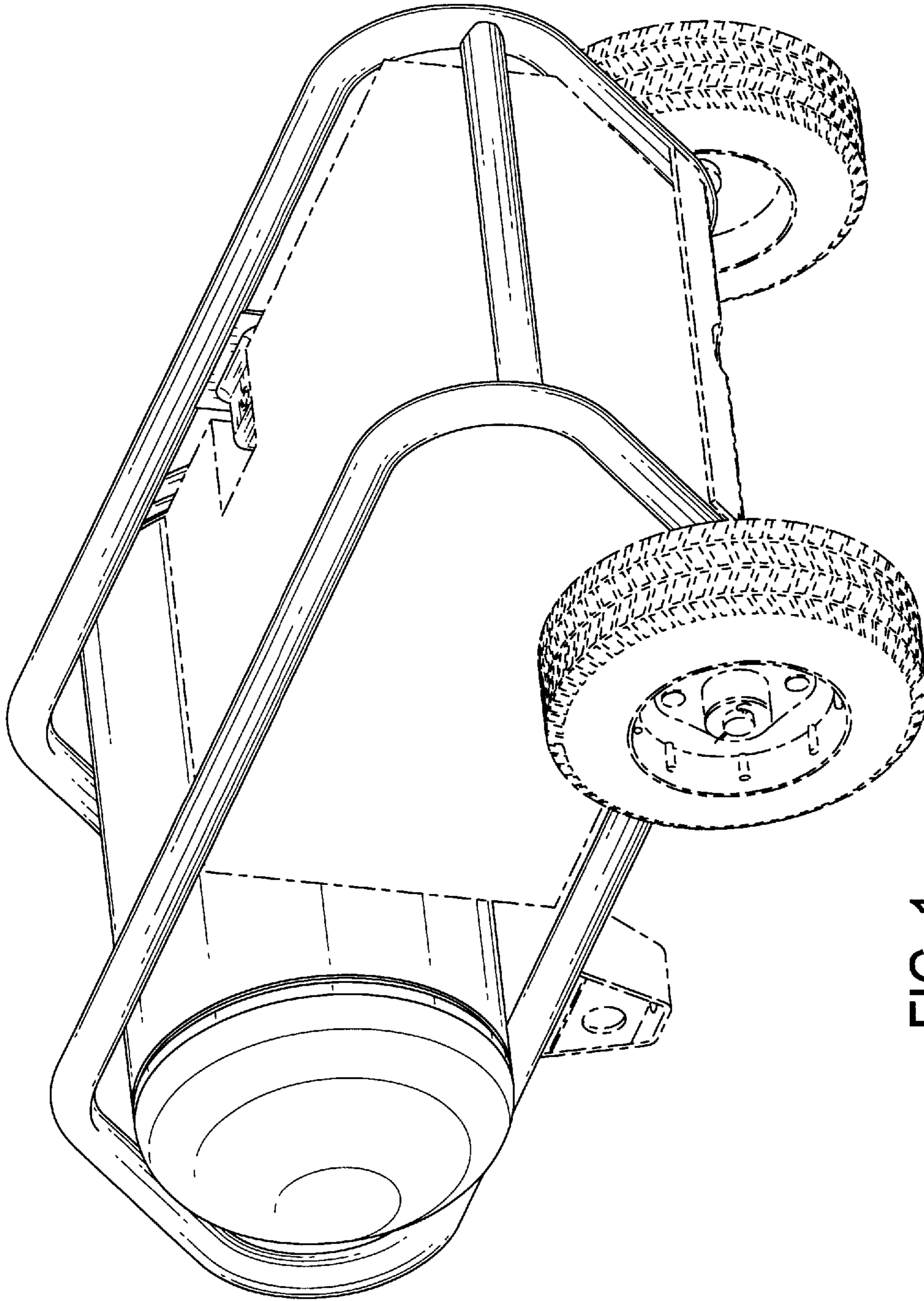


FIG. 1

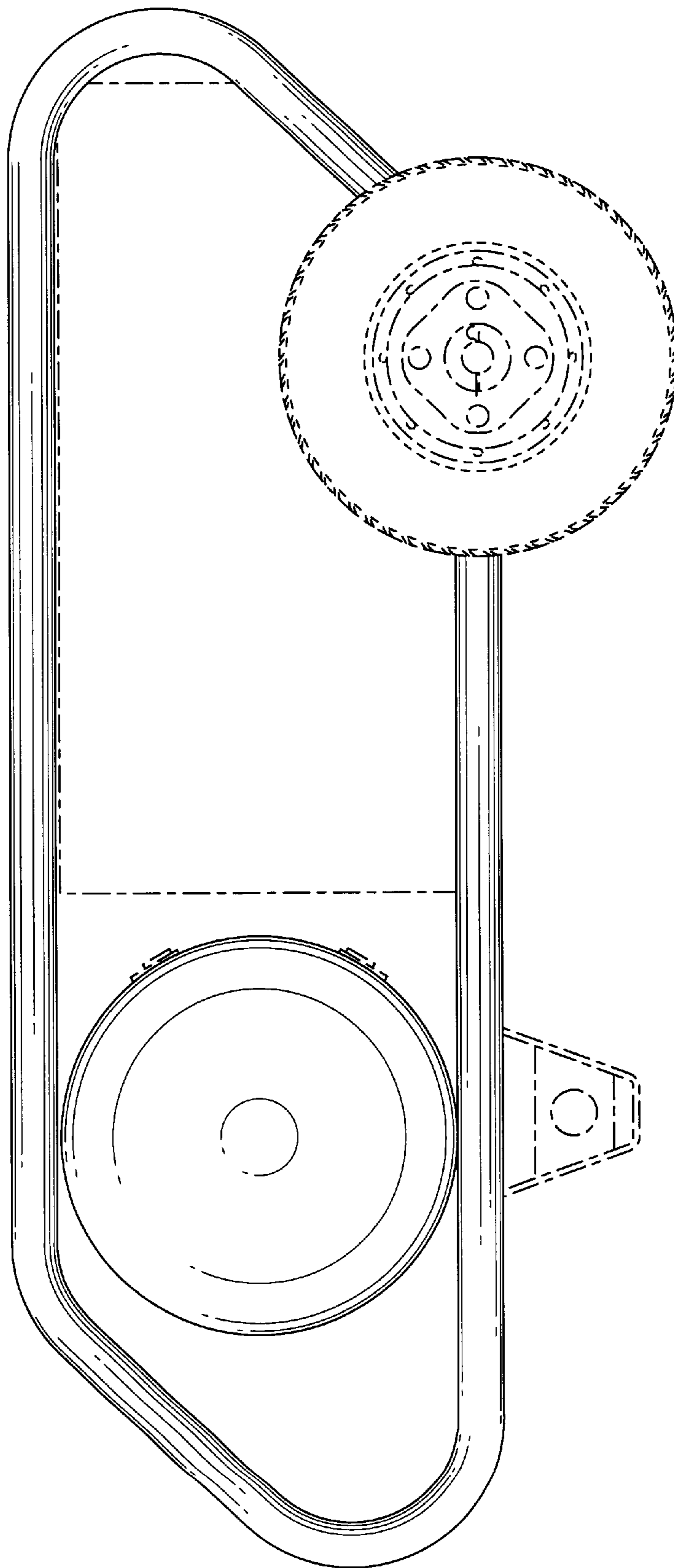


FIG. 2

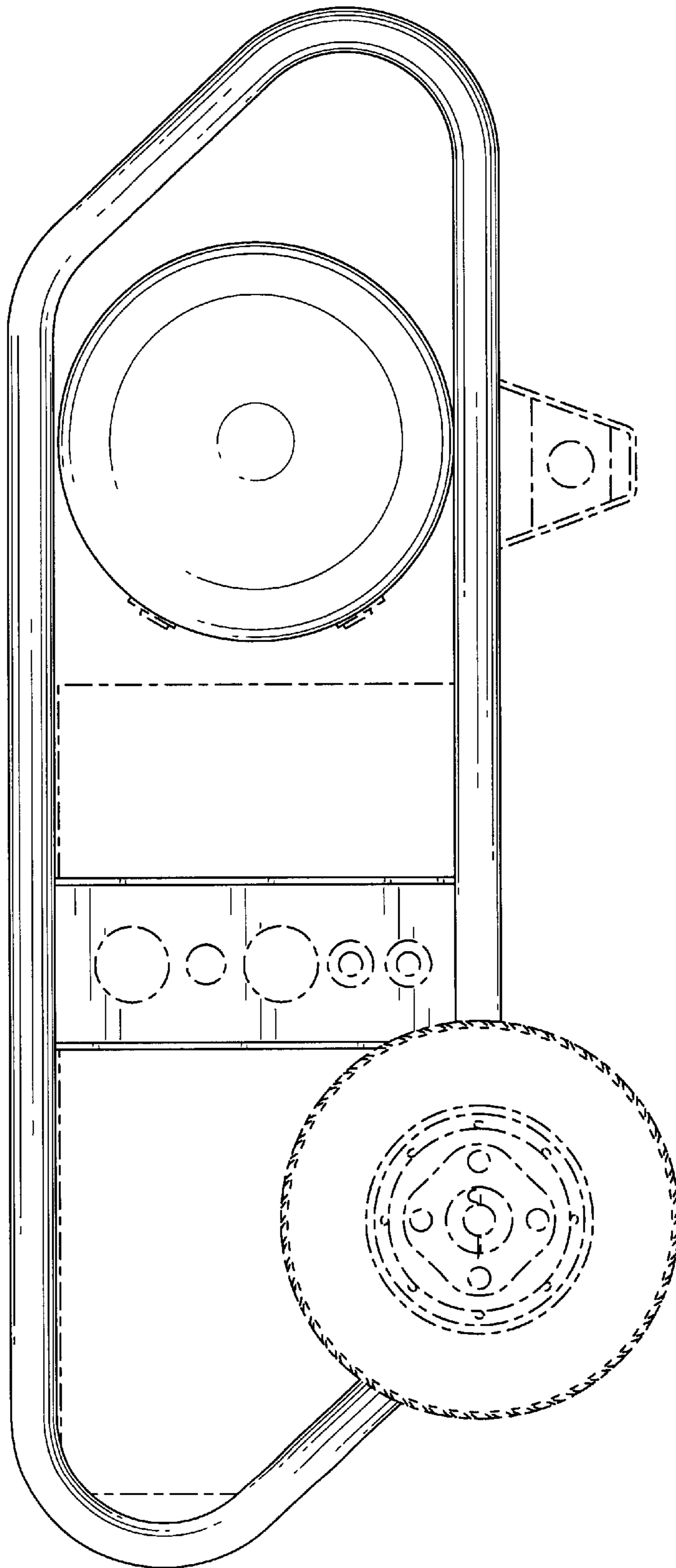


FIG. 3

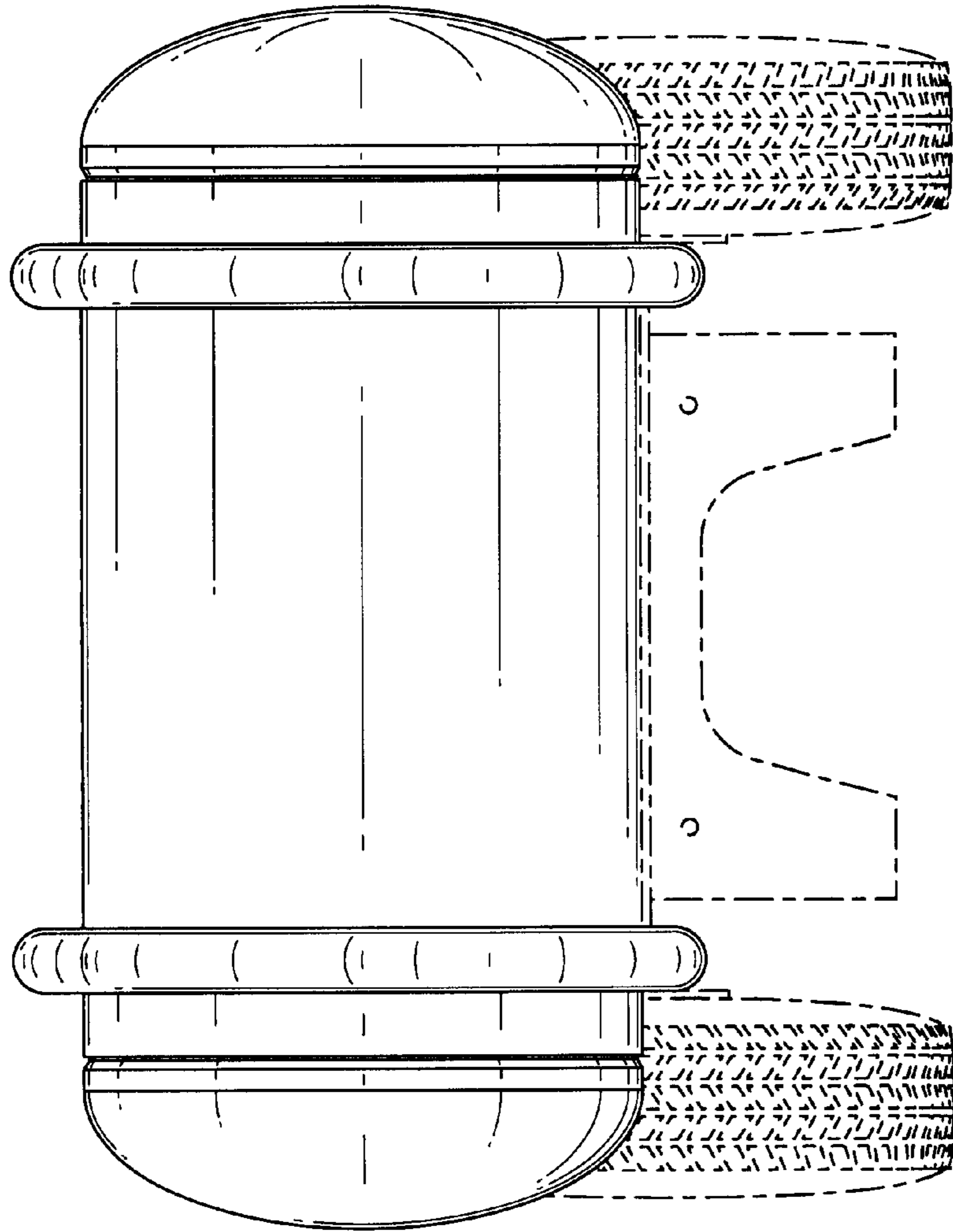


FIG. 4

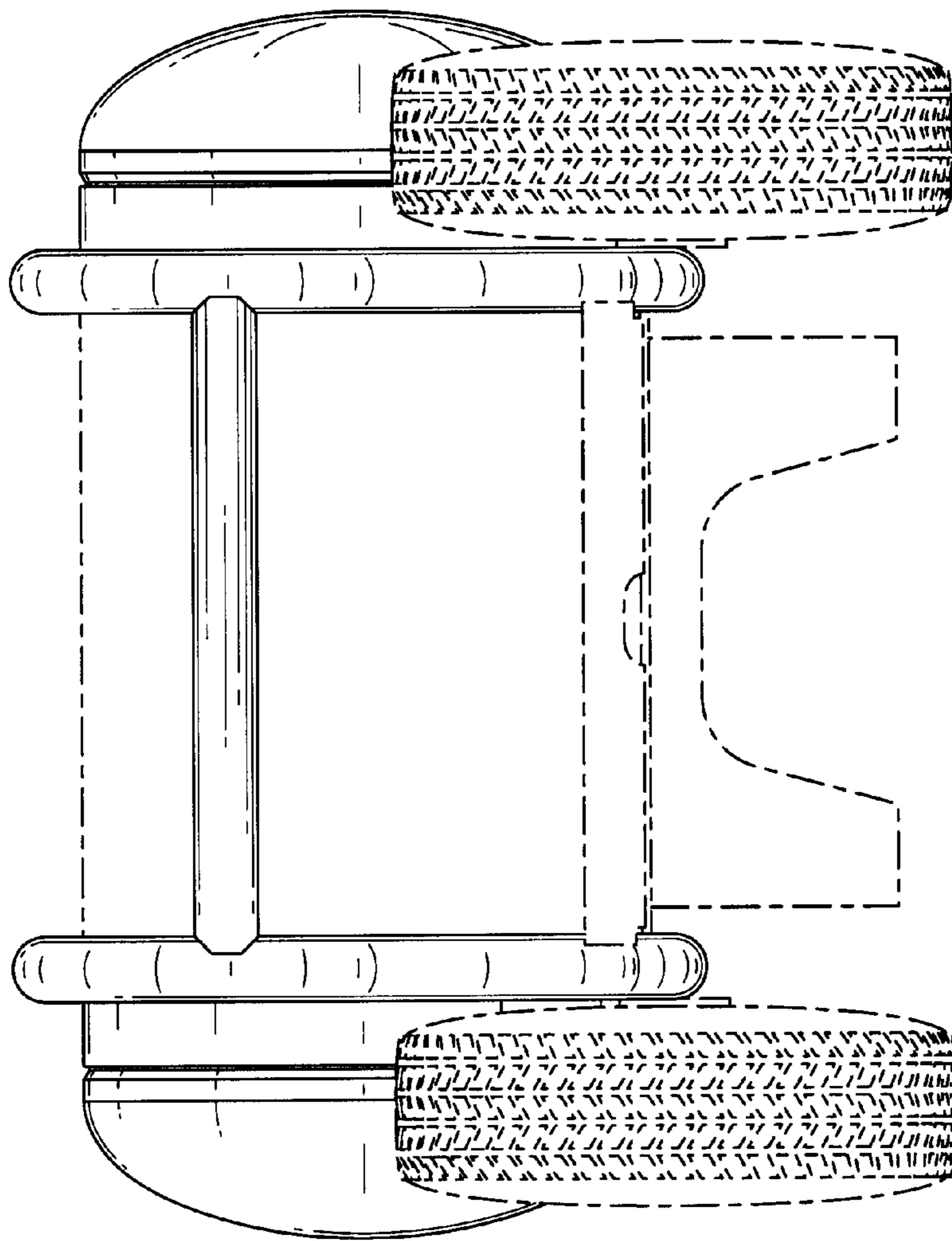


FIG. 5

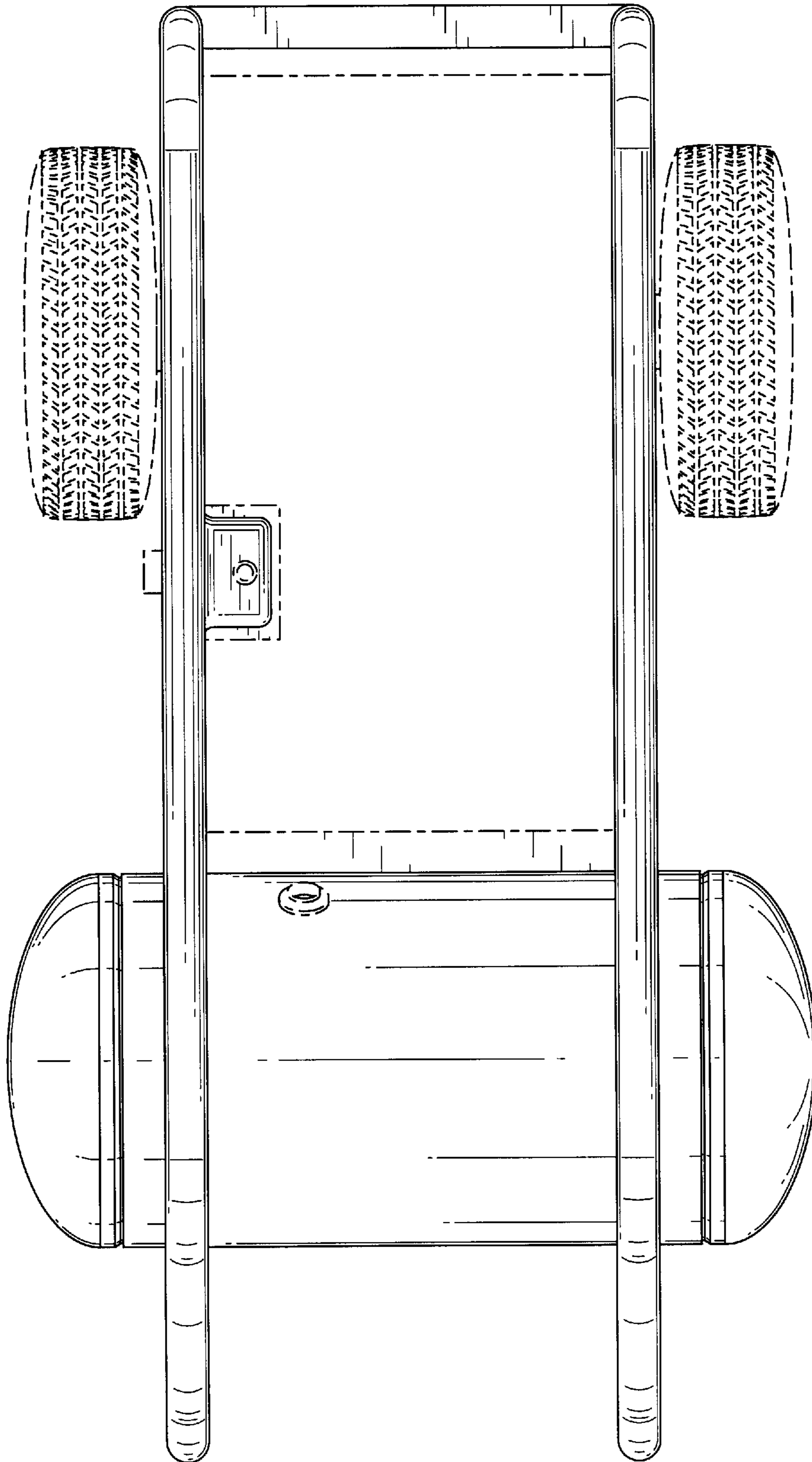


FIG. 6

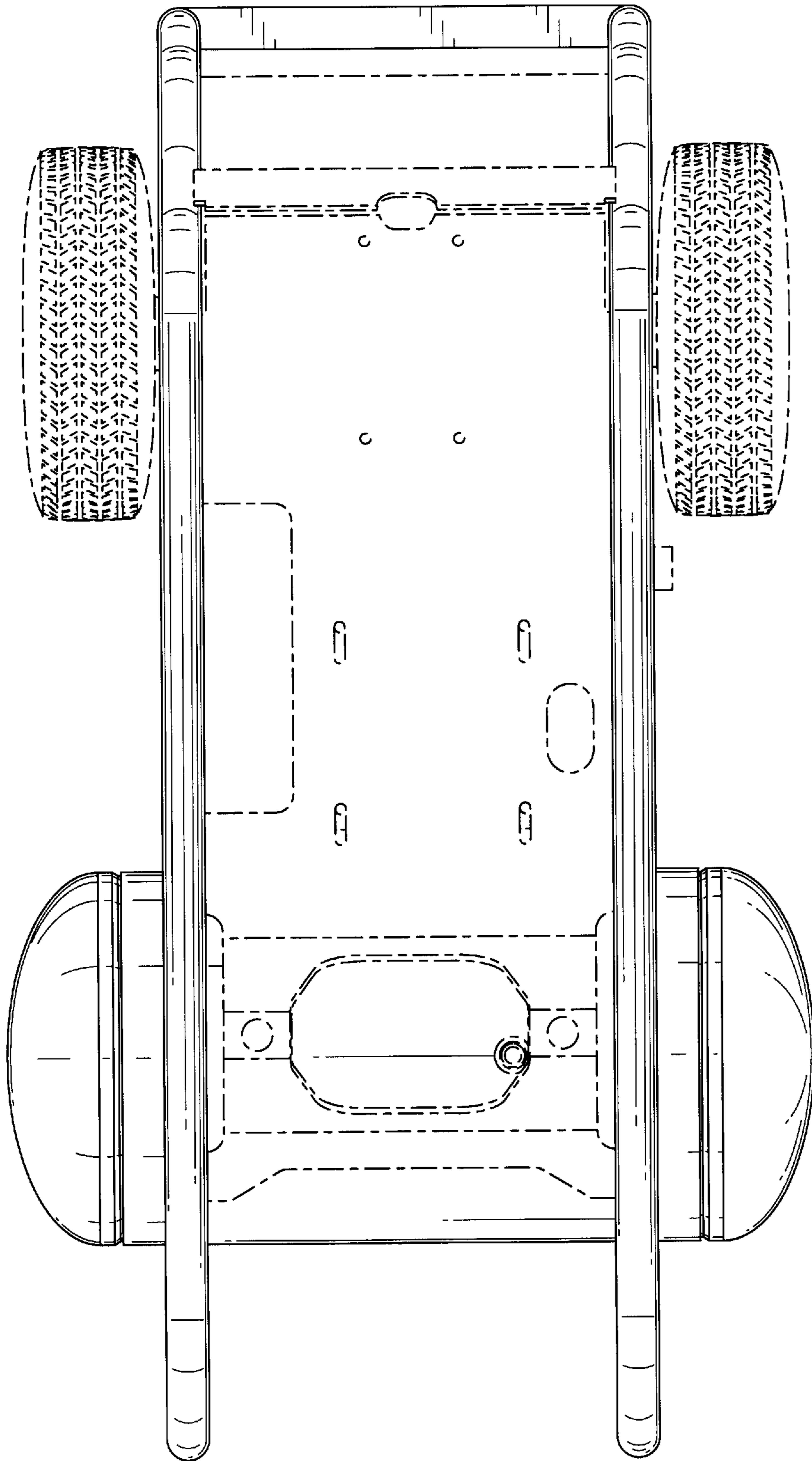


FIG. 7