



US00D487095S

(12) **United States Design Patent**
Oka

(10) **Patent No.:** **US D487,095 S**

(45) **Date of Patent:** **** Feb. 24, 2004**

(54) **DISC CARTRIDGE**

(75) **Inventor:** **Hiroki Oka, Tokyo (JP)**

(73) **Assignee:** **Sony Corporation, Tokyo (JP)**

(**) **Term:** **14 Years**

(21) **Appl. No.:** **29/181,462**

(22) **Filed:** **May 13, 2003**

(51) **LOC (7) Cl.** **14-99**

(52) **U.S. Cl.** **D14/483**

(58) **Field of Search** D14/474, 478-483,
D14/435; D21/332; 242/348; 360/132, 133,
135; 369/291, 272, 274, 280, 292; 206/307-313,
308.1; D3/218

(56) **References Cited**

U.S. PATENT DOCUMENTS

D350,951 S	*	9/1994	Tseng	D14/435
5,653,638 A	*	8/1997	Nagata	463/44
5,671,109 A	*	9/1997	Summer et al.	360/133
5,694,278 A	*	12/1997	Summer	360/133
D400,523 S	*	11/1998	Tetenuma	D14/183
D412,187 S	*	7/1999	Kitamori	D21/332
D428,013 S	*	7/2000	Fairchild et al.	D21/332
6,267,678 B1	*	7/2001	Kubo et al.	463/44

D449,078 S * 10/2001 Fujita D14/435

D451,099 S * 11/2001 Lee D14/435

D474,184 S * 5/2003 Taniguchi et al. D14/435

D474,777 S 5/2003 Nittsu

D475,059 S 5/2003 Nittsu

* cited by examiner

Primary Examiner—Prabhakar Deshmukh

(74) *Attorney, Agent, or Firm*—Rader, Fishman & Grauer
PLLC

(57) **CLAIM**

The ornamental design for a disc cartridge, as shown and described.

DESCRIPTION

FIG. 1 is a rear left top perspective view of a disc cartridge showing my new design;

FIG. 2 is a front right top perspective view thereof;

FIG. 3 is a rear elevational view thereof;

FIG. 4 is a left side elevational view thereof;

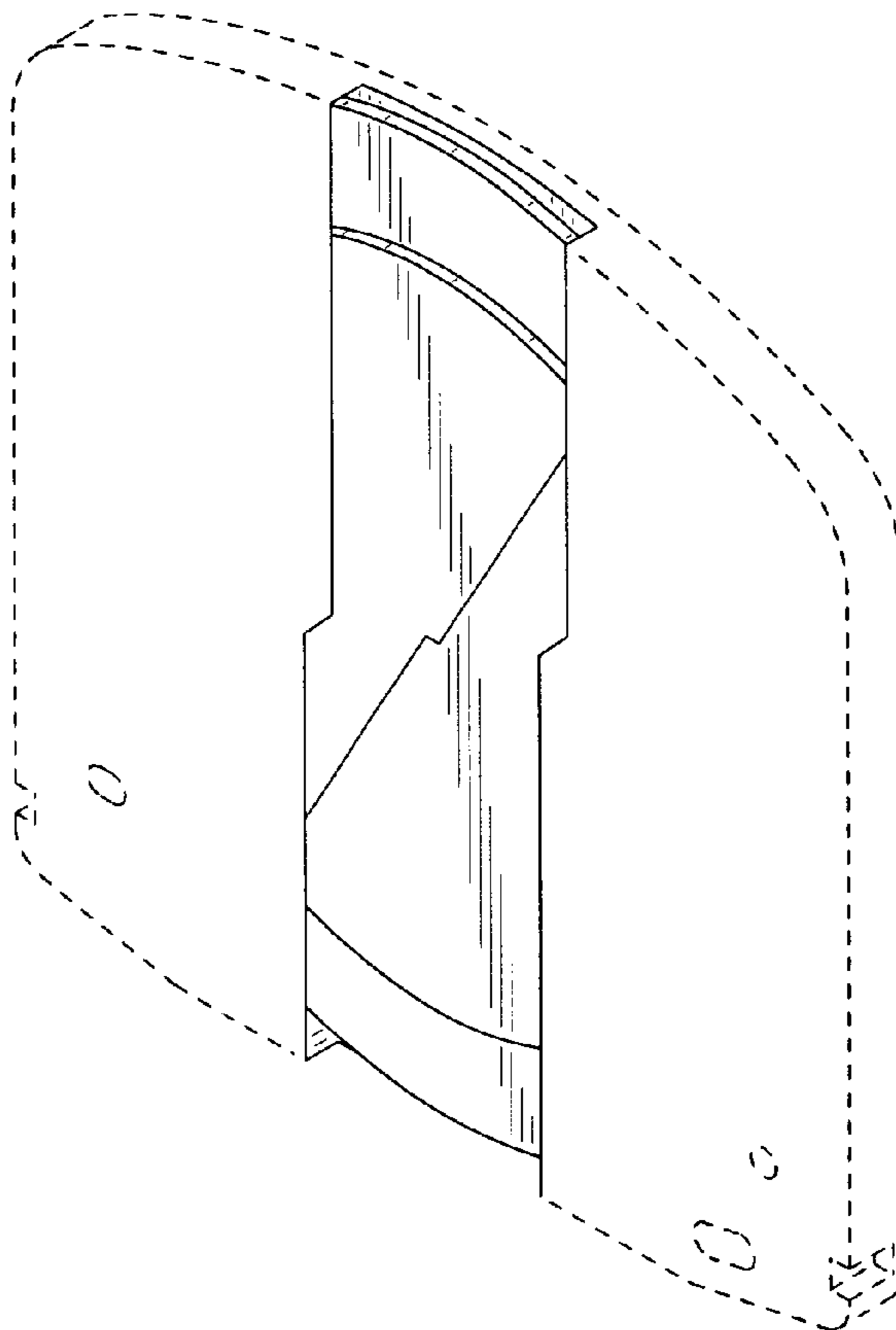
FIG. 5 is a right side elevational view thereof;

FIG. 6 is a top plan view thereof; and,

FIG. 7 is a bottom plan view thereof.

Portions in broken lines shown in FIGS. 1-7 are for illustrative purposes only and form no part of claimed design.

1 Claim, 5 Drawing Sheets



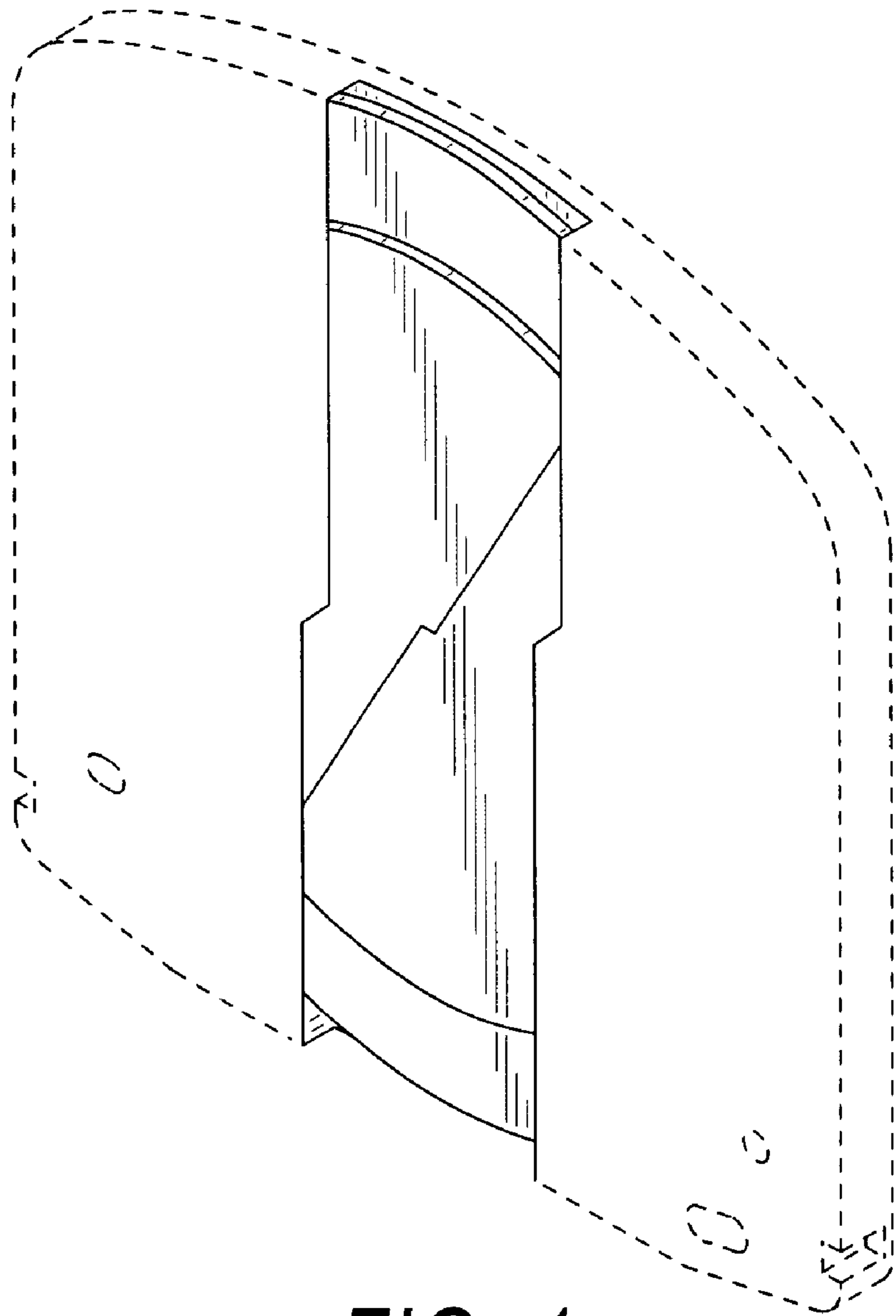


FIG. 1

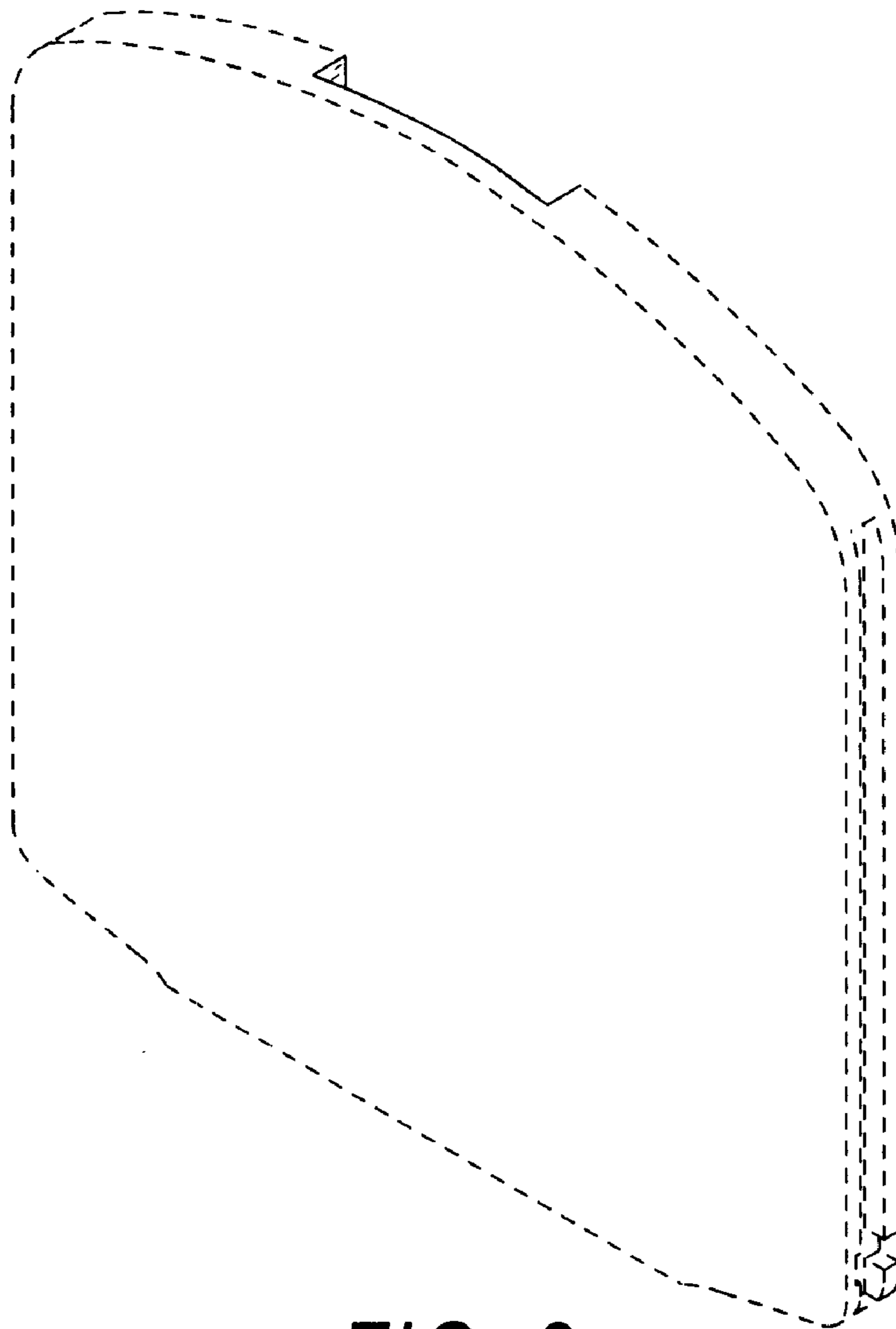


FIG. 2

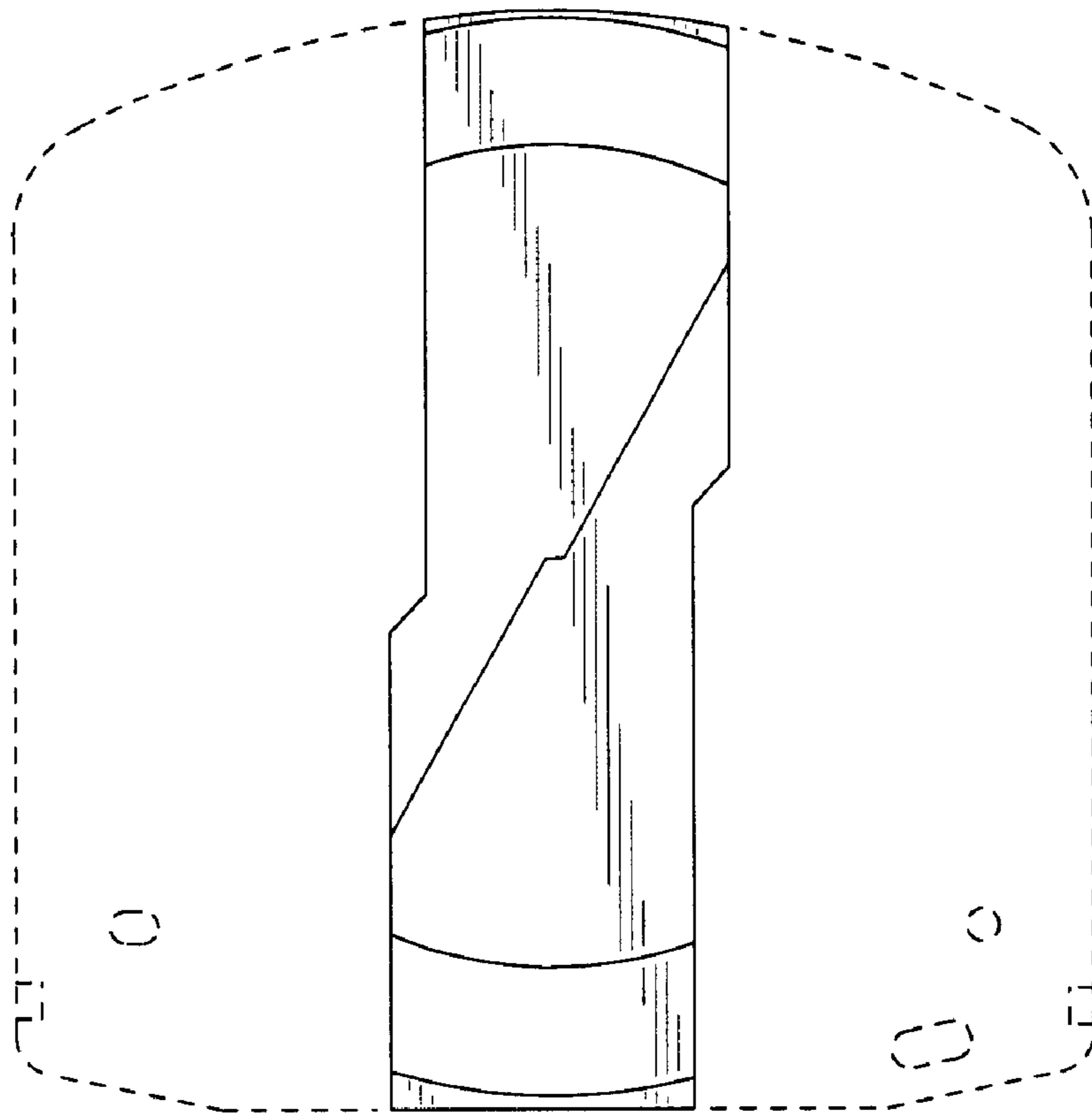


FIG. 3



FIG. 4



FIG. 5

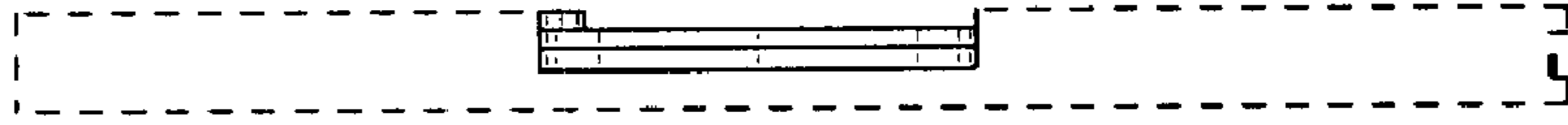


FIG. 6

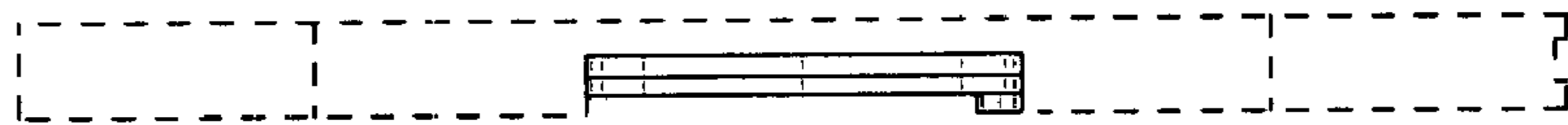


FIG. 7