



US00D487094S

(12) **United States Design Patent**
Serbinski et al.

(10) **Patent No.:** **US D487,094 S**

(45) **Date of Patent:** **** Feb. 24, 2004**

(54) **FLAT PANEL MONITOR STAND**

(75) Inventors: **Andrew Serbinski**, Annandale, NJ (US); **Jason C. Billig**, Hoboken, NJ (US); **Mirzat Koc**, Brooklyn, NY (US); **Mark I. Rosen**, Franklin Lakes, NJ (US)

(73) Assignee: **3M Innovative Properties Company**, St. Paul, MN (US)

(**) Term: **14 Years**

(21) Appl. No.: **29/158,555**

(22) Filed: **Apr. 5, 2002**

(51) **LOC (7) Cl.** **14-02**

(52) **U.S. Cl.** **D14/451**

(58) **Field of Search** D14/448, 451, D14/452, 239; 361/681, 682; 248/917, 918, 919, 346.01, 278.1, 157; 349/58

(56) **References Cited**

U.S. PATENT DOCUMENTS

D414,164 S 9/1999 Rorke et al.
D415,768 S * 10/1999 Howell D14/451

6,378,830 B1 * 4/2002 Lu 248/278.1
6,517,040 B1 * 2/2003 Wen 248/278.1
2003/0075649 A1 * 4/2003 Jeong et al. 248/157
2003/0174259 A1 * 9/2003 Yang 349/58

* cited by examiner

Primary Examiner—Kay H. Chin

(74) *Attorney, Agent, or Firm*—Robert J. Pechman

(57) **CLAIM**

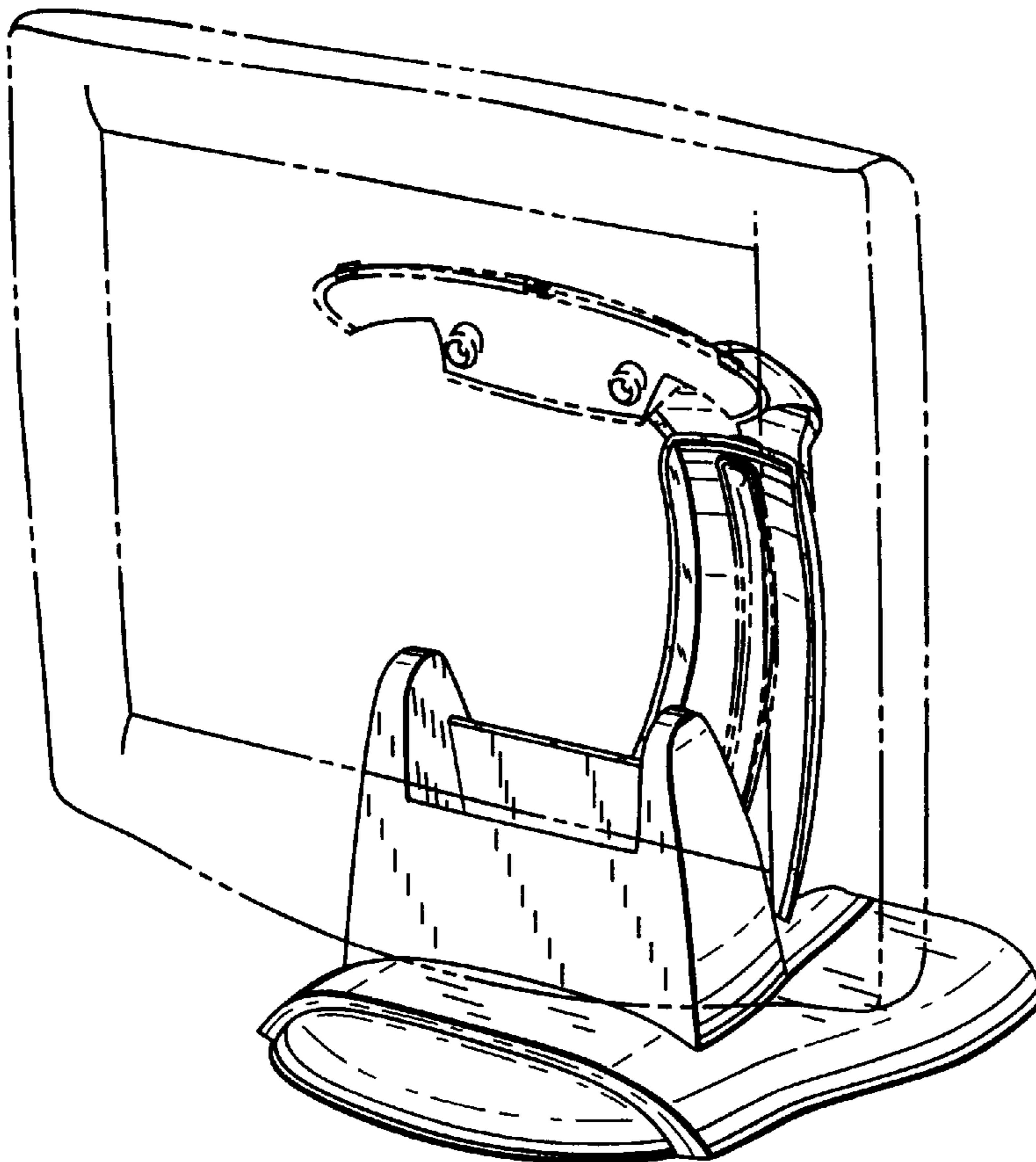
The ornamental design for a flat panel monitor stand, as shown and described.

DESCRIPTION

FIG. 1 is a front perspective view of a flat panel monitor stand showing my new design; FIG. 2 is a rear perspective view thereof; FIG. 3 is a side view thereof; FIG. 4 is a front view thereof; FIG. 5 is a rear view thereof; FIG. 6 is a top view thereof; and, FIG. 7 is a bottom view thereof.

The broken lines are for illustrative purposes only and form no part of the claimed design.

1 Claim, 4 Drawing Sheets



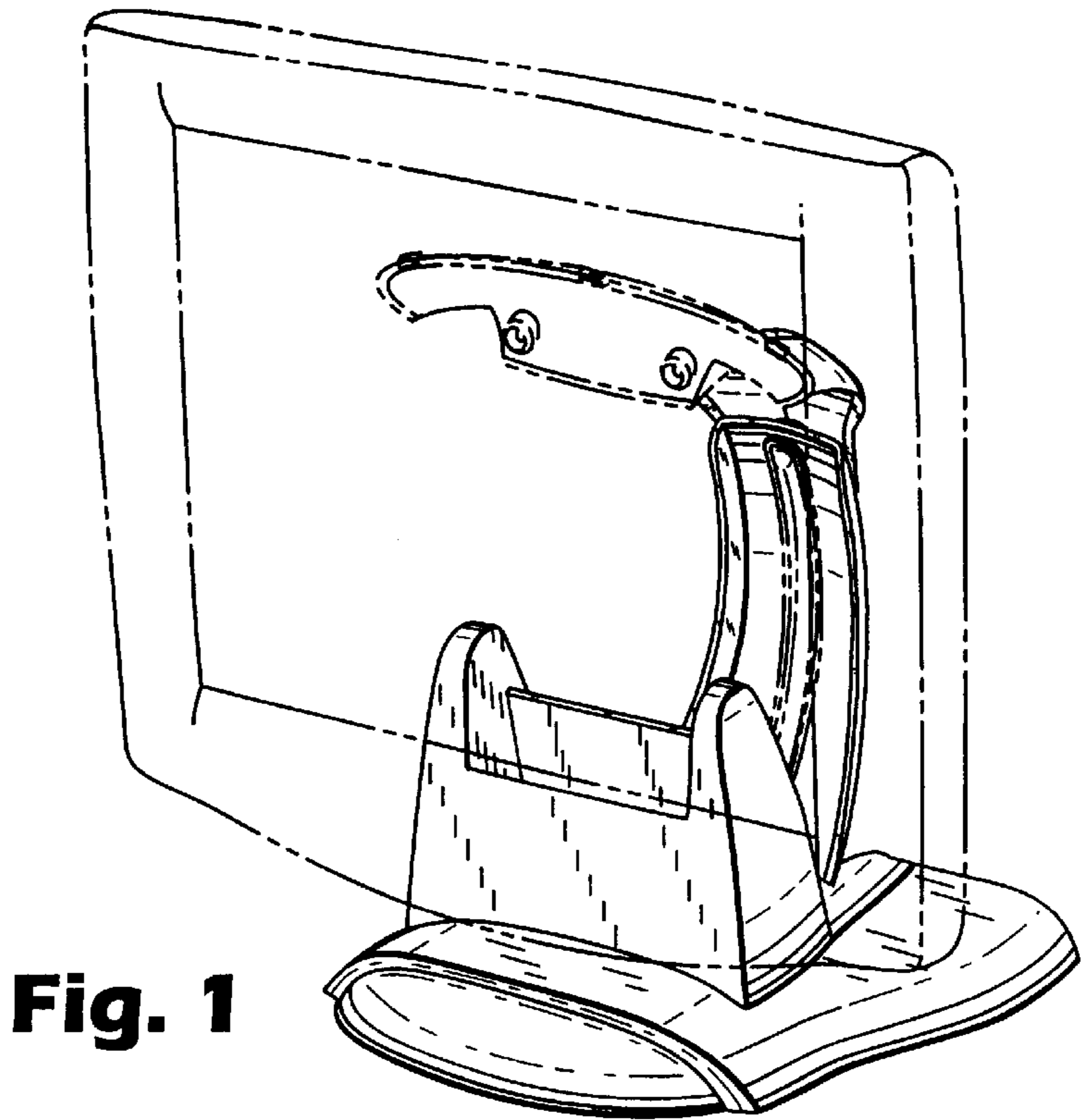


Fig. 1

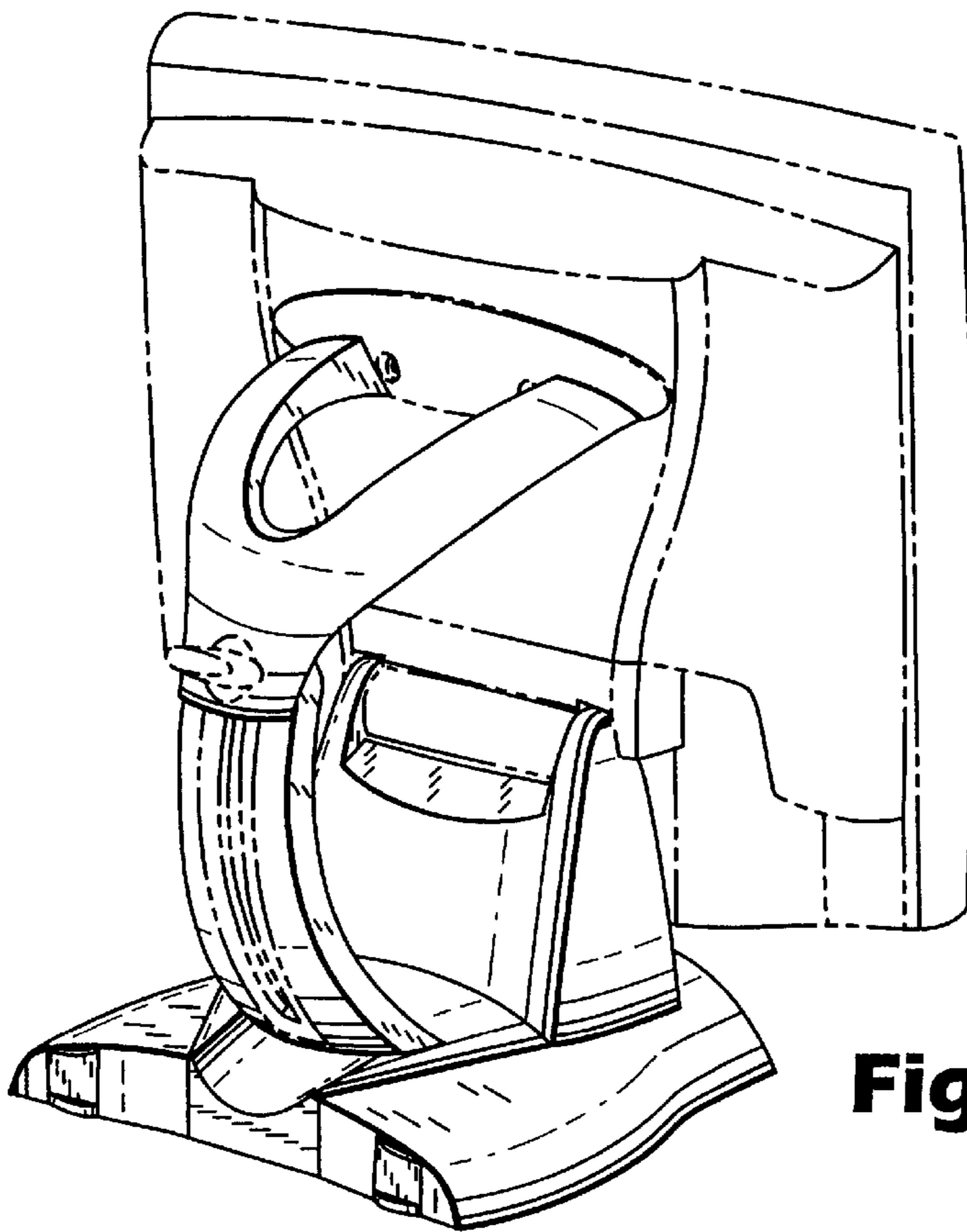


Fig. 2

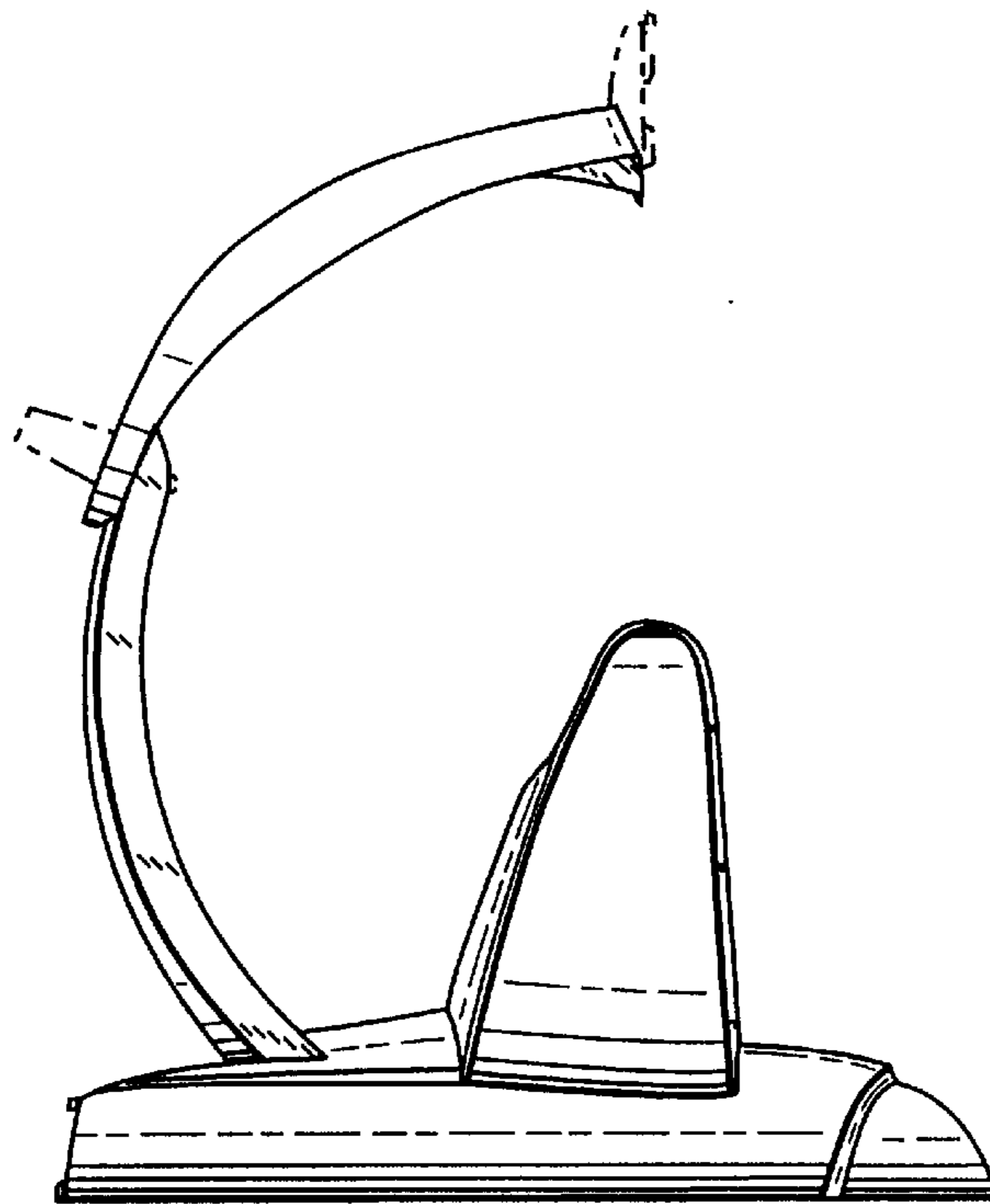


Fig. 3

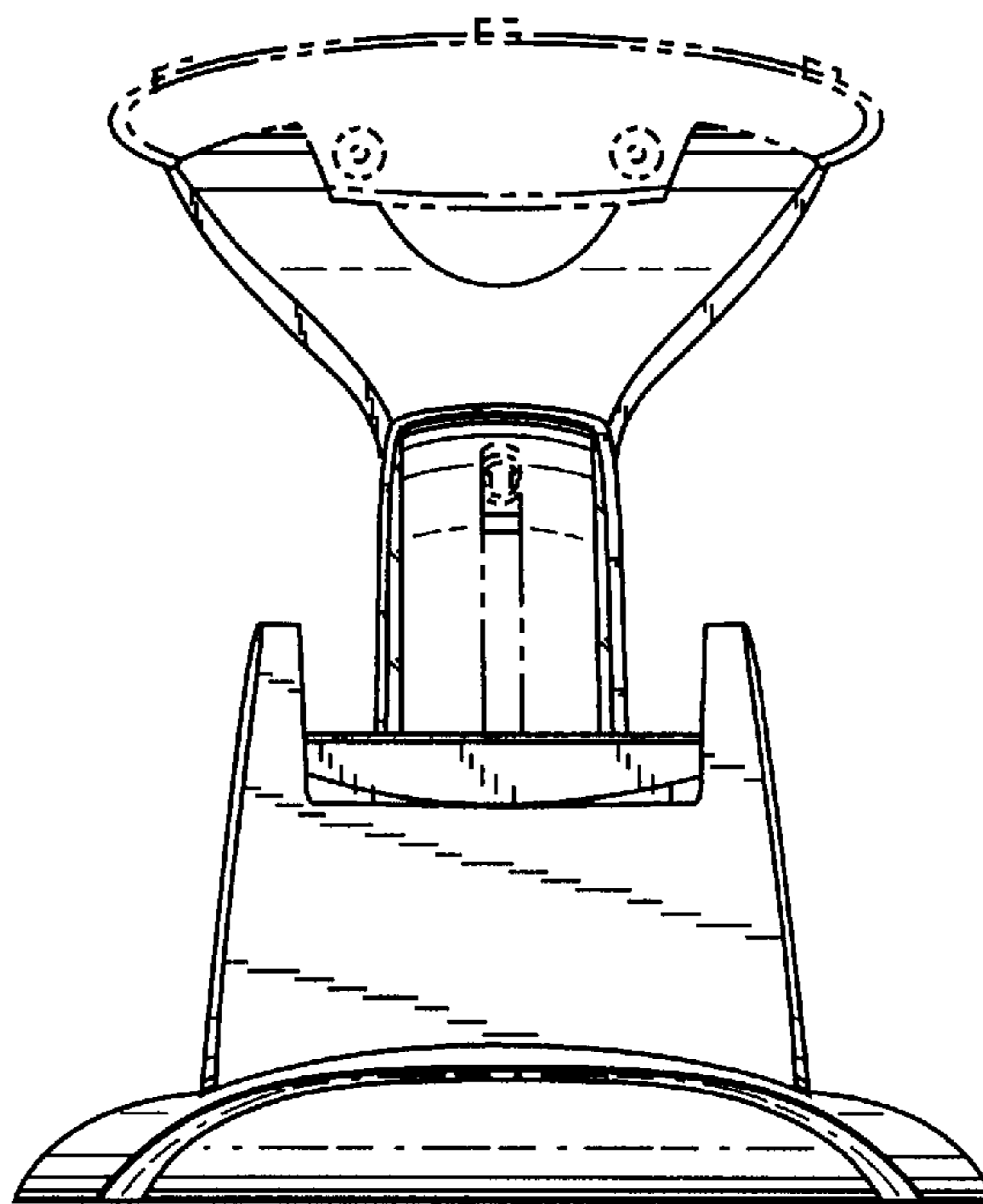


Fig. 4

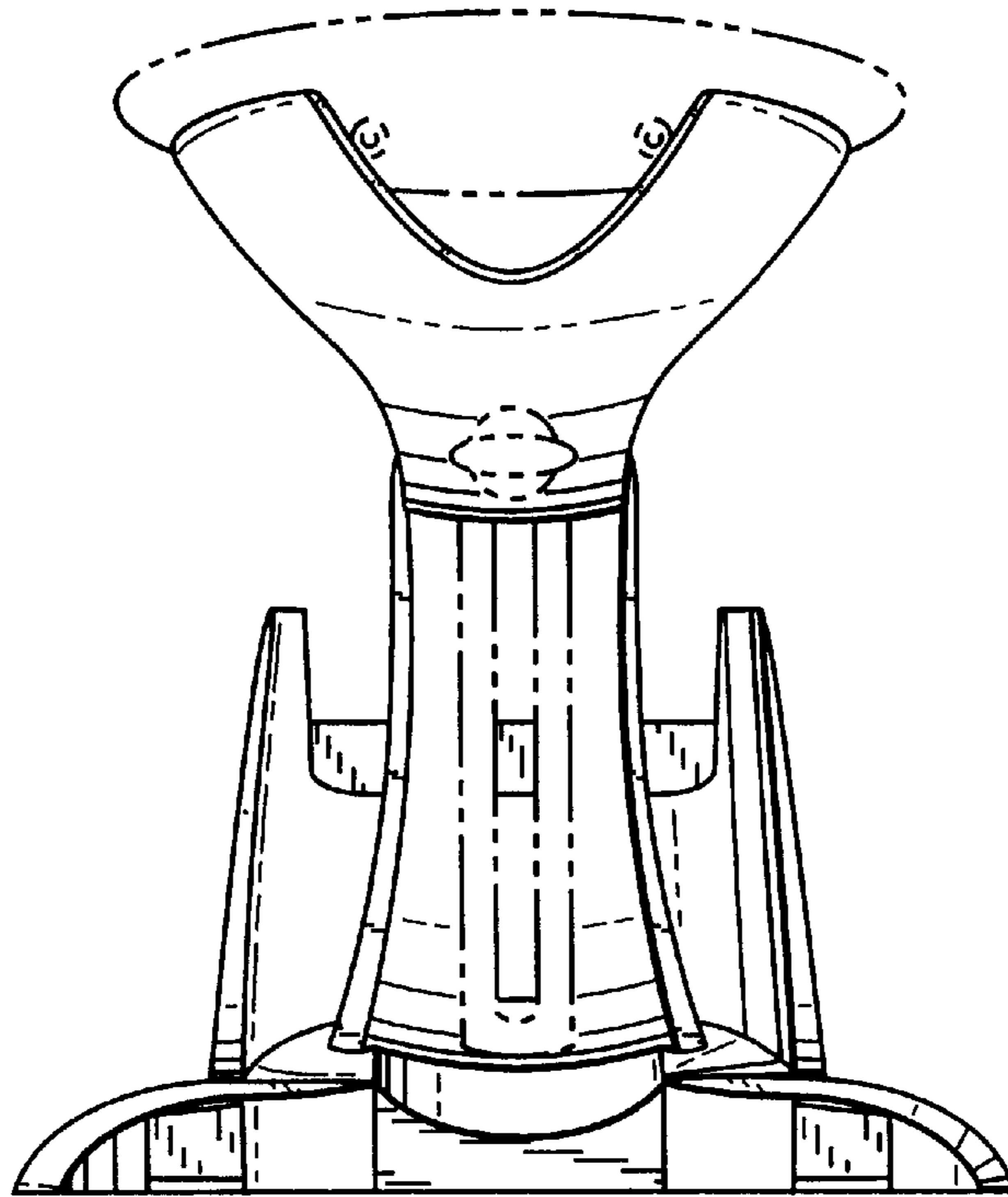


Fig. 5

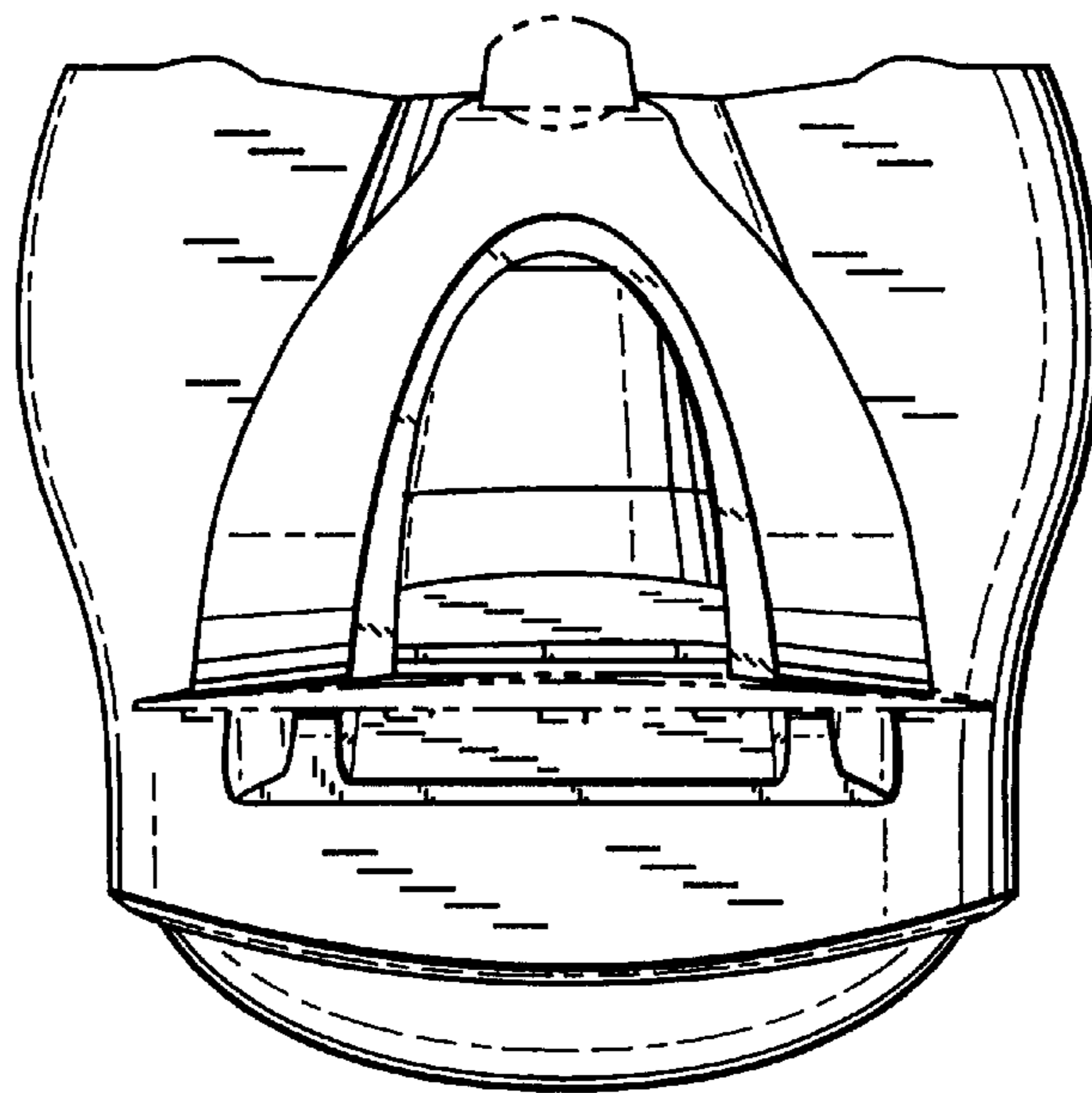


Fig. 6

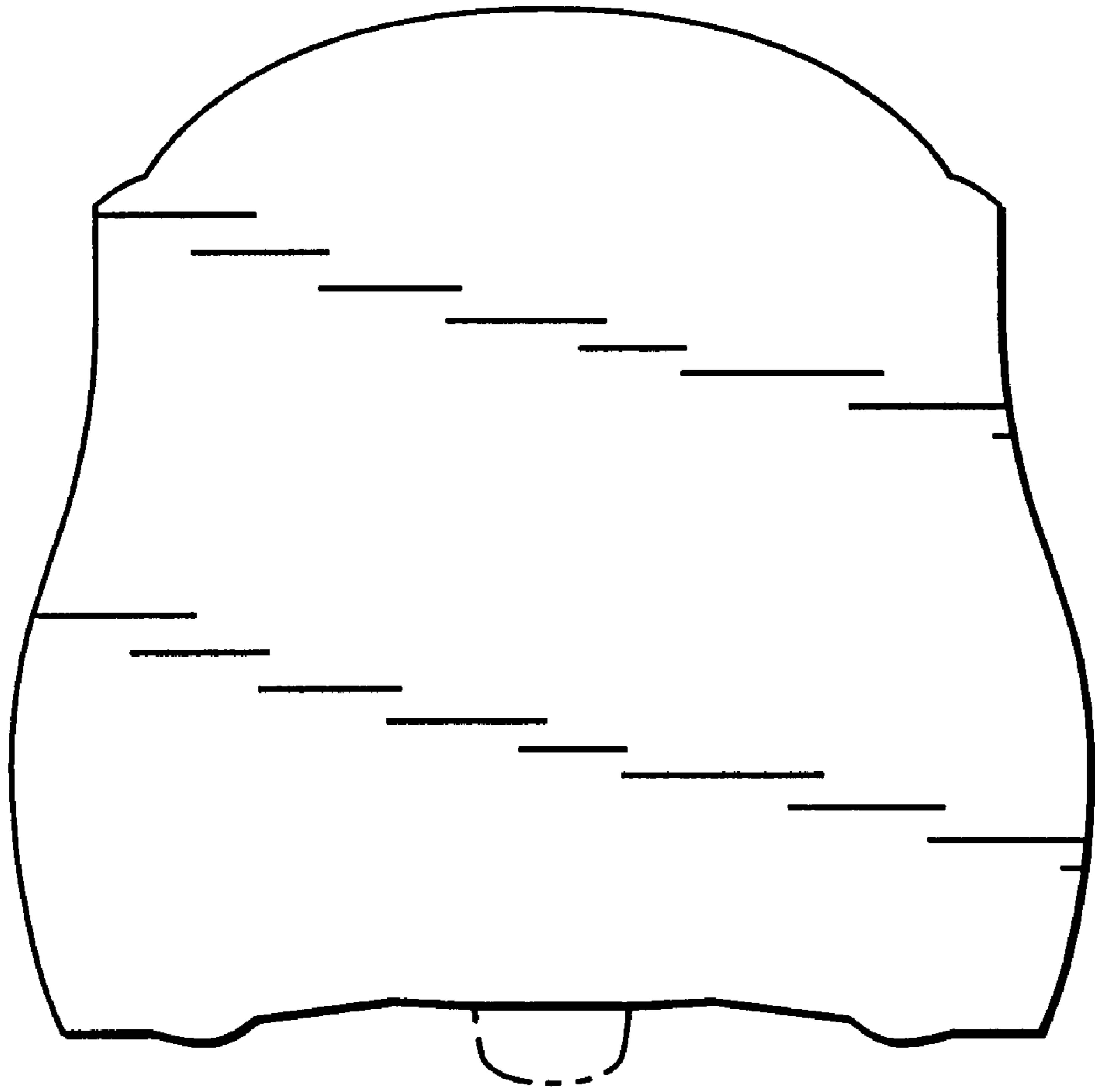


Fig. 7