



US00D487093S

(12) **United States Design Patent**
Hassett

(10) **Patent No.:** **US D487,093 S**

(45) **Date of Patent:** **** Feb. 24, 2004**

(54) **ACCESSORY VISOR FOR A COMPUTER MONITOR**

(75) Inventor: **Eric S. Hassett**, Golden, CO (US)

(73) Assignee: **Case Logic, Inc.**, Longmont, CO (US)

(**) Term: **14 Years**

(21) Appl. No.: **29/176,971**

(22) Filed: **Feb. 27, 2003**

(51) **LOC (7) Cl.** **14-02**

(52) **U.S. Cl.** **D14/448; D3/304**

(58) **Field of Search** D14/432, 448,
D14/439; D3/328, 218, 224, 226, 303,
310, 304, 315; 248/205.3, 311.2, 918; 312/223.3;
361/683, 680, 681; 206/305; 224/270, 616,
929, 407, 572, 901.4

(56) **References Cited**

U.S. PATENT DOCUMENTS

| | | | | | | |
|-----------|----|---|---------|----------------|-------|---------|
| 4,974,760 | A | * | 12/1990 | Miller | | 224/407 |
| 5,511,710 | A | * | 4/1996 | Woods et al. | | 224/407 |
| D381,947 | S | | 8/1997 | Bergh et al. | | D12/191 |
| 5,762,246 | A | | 6/1998 | Drew | | 224/312 |
| D397,229 | S | * | 8/1998 | Winters et al. | | D25/68 |
| D415,731 | S | | 10/1999 | Bergh | | D12/417 |
| D432,490 | S | | 10/2000 | Golenz | | D12/417 |
| D446,765 | S | | 8/2001 | Bergh et al. | | D12/417 |
| 6,381,127 | B1 | * | 4/2002 | Maddali et al. | | 361/683 |

OTHER PUBLICATIONS

Case Logic 2003 Catalog, p. 17.

* cited by examiner

Primary Examiner—Kay H. Chin

(74) *Attorney, Agent, or Firm*—Sheridan Ross P.C.

(57) **CLAIM**

The ornamental design for an accessory visor for a computer monitor, as shown and described.

DESCRIPTION

FIG. 1 is a front perspective view of an accessory visor for a computer monitor showing my new design, the broken lines depicting environment and forming no part of the claimed design;

FIG. 2 is a front perspective view of the invention illustrated in FIG. 1;

FIG. 3 is a front elevation view of the invention illustrated in FIG. 1;

FIG. 4 is a rear elevation view of the invention illustrated in FIG. 1;

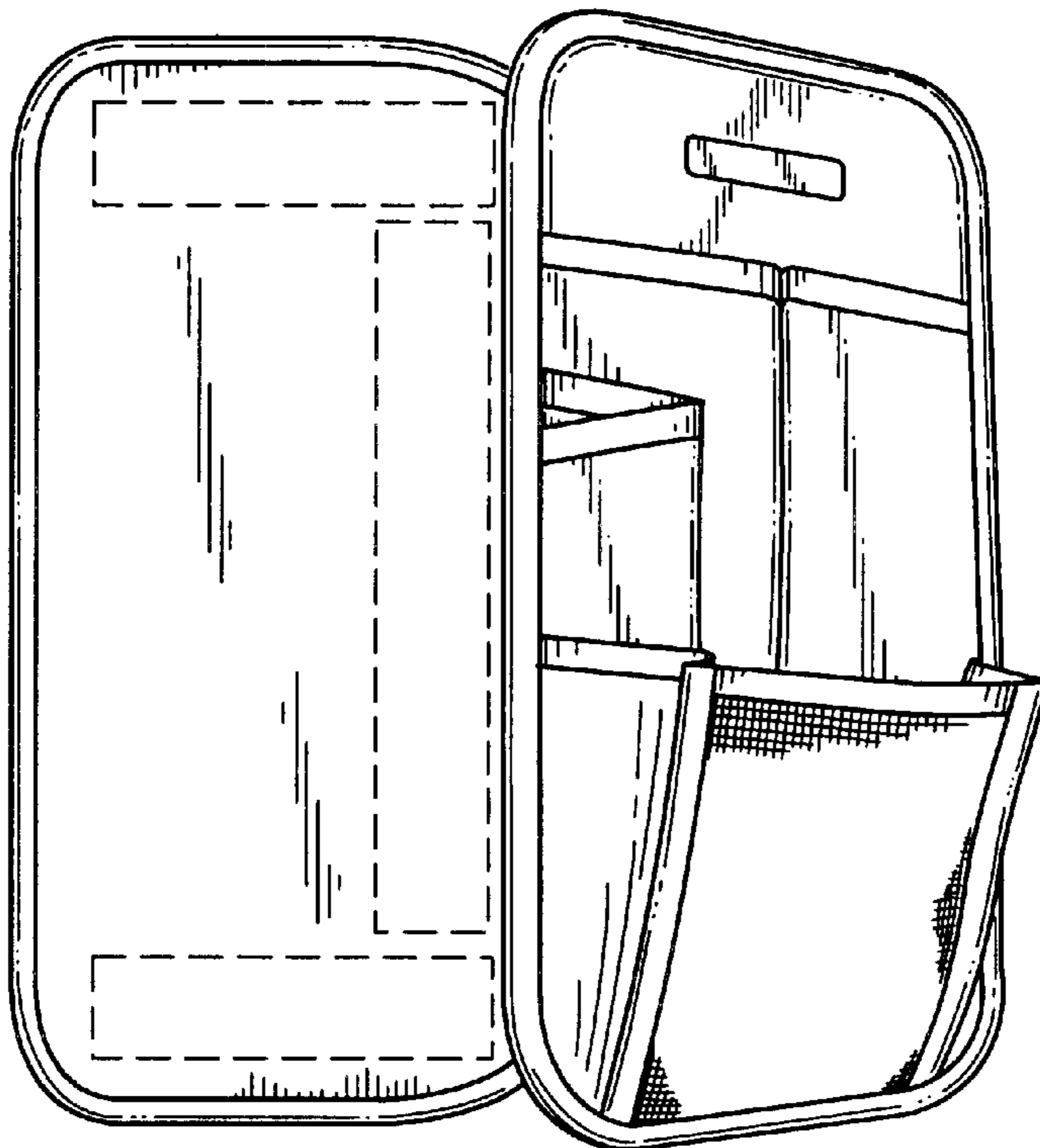
FIG. 5 is right elevation view of the invention illustrated in FIG. 1;

FIG. 6 is a left elevation view of the invention illustrated in FIG. 1;

FIG. 7 is a top plan view of the invention illustrated in FIG. 1; and,

FIG. 8 is a bottom plan view of the invention illustrated in FIG. 1.

1 Claim, 4 Drawing Sheets



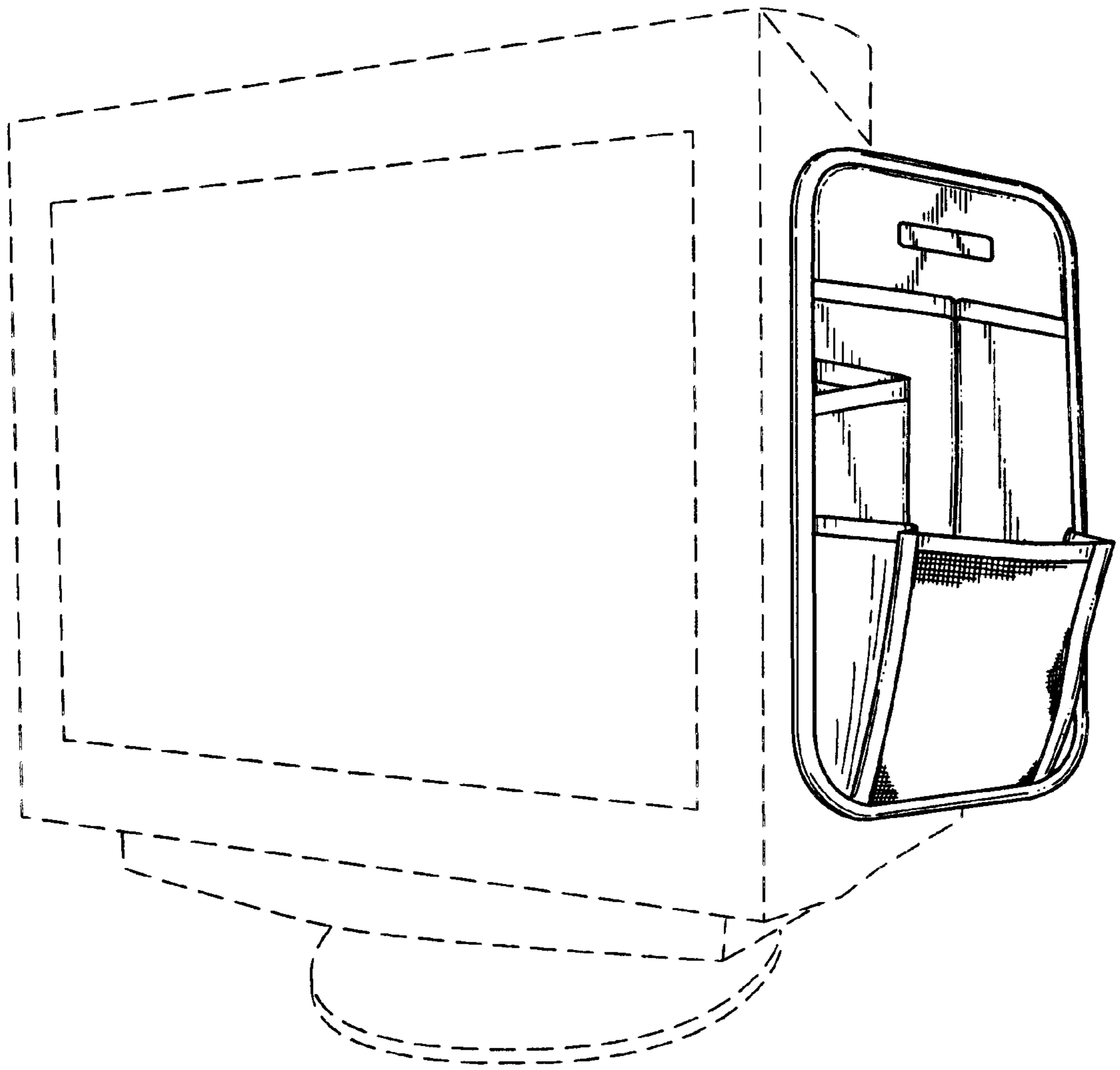


FIG. 1

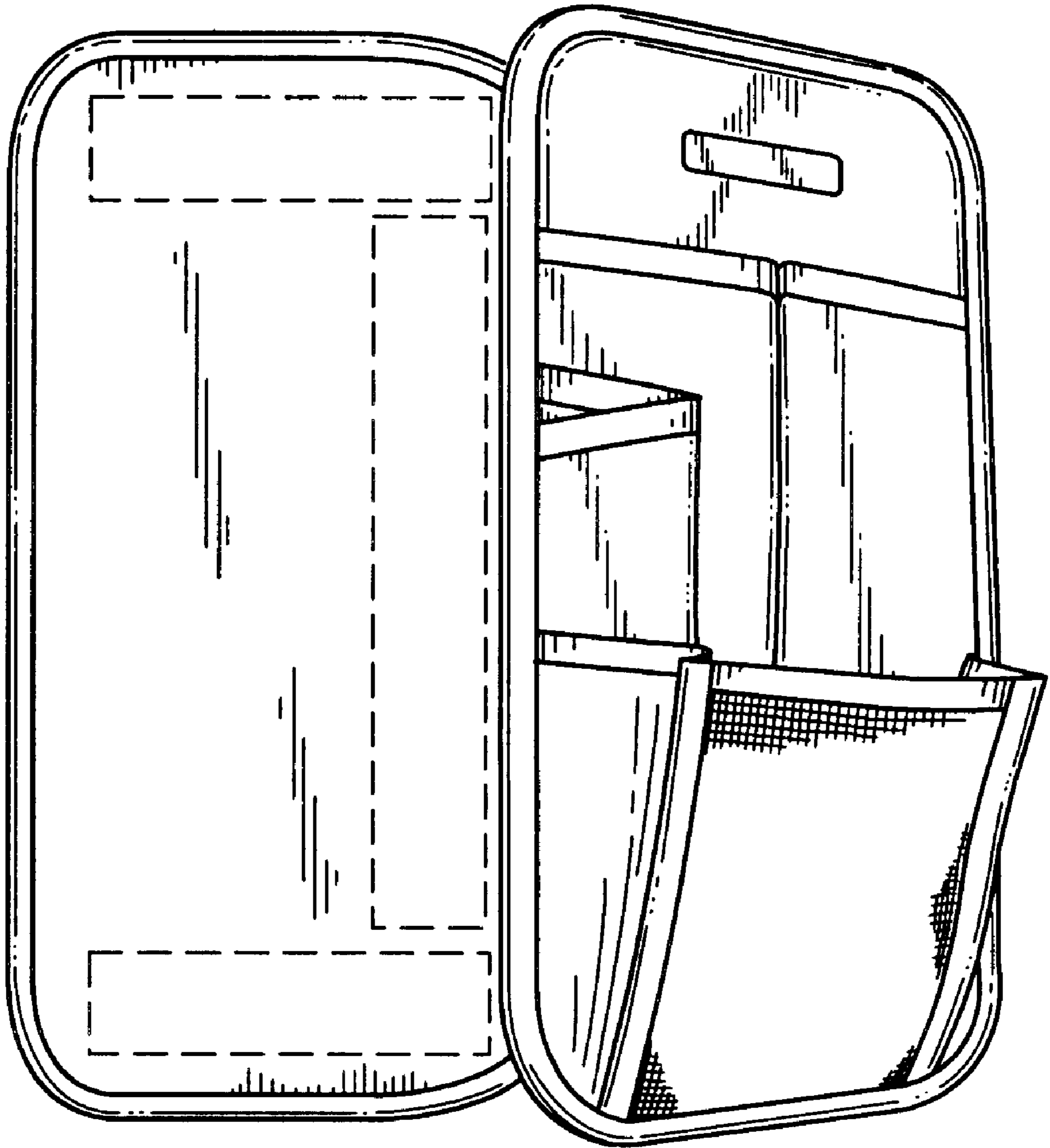


FIG.2

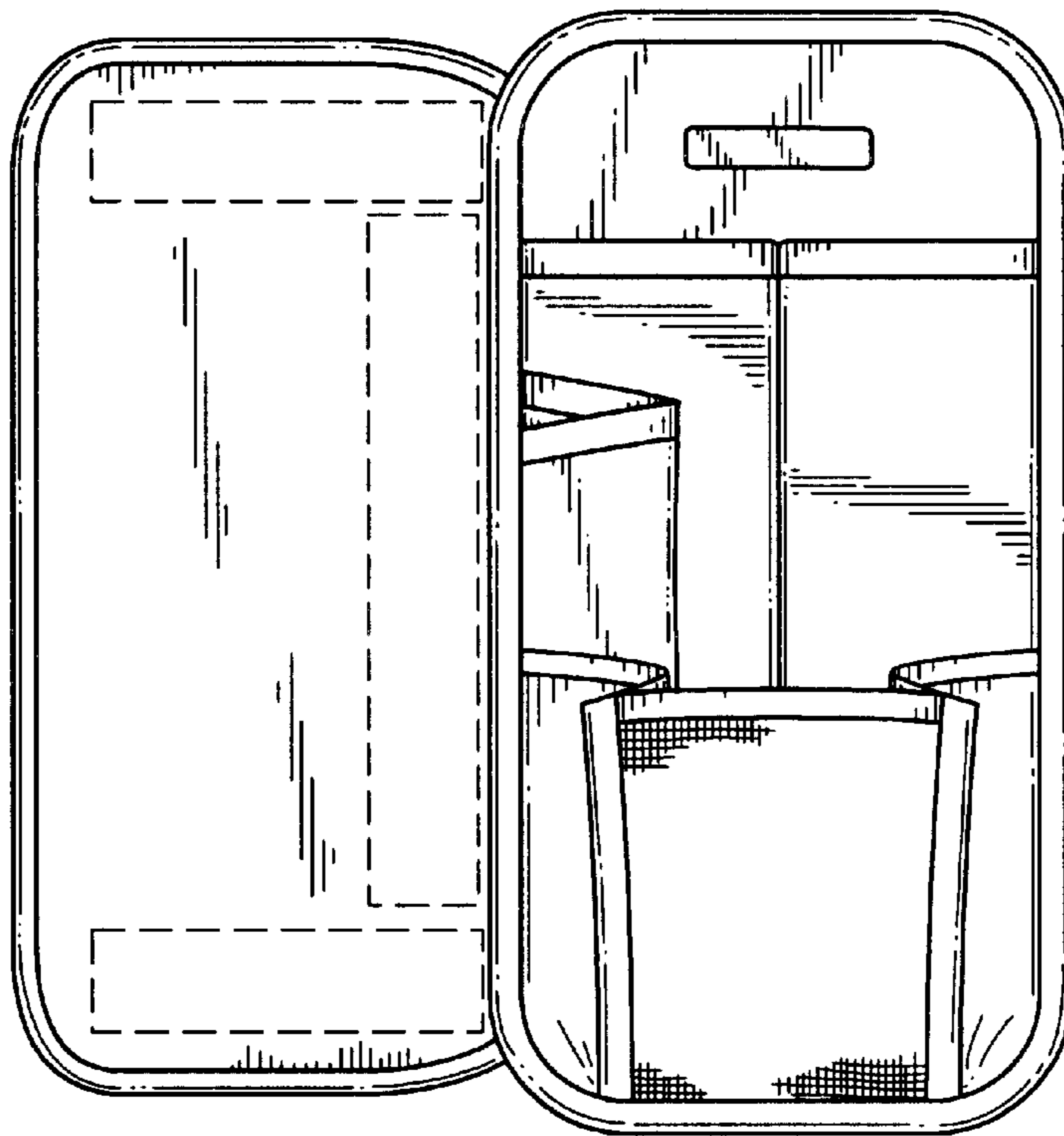


FIG.3

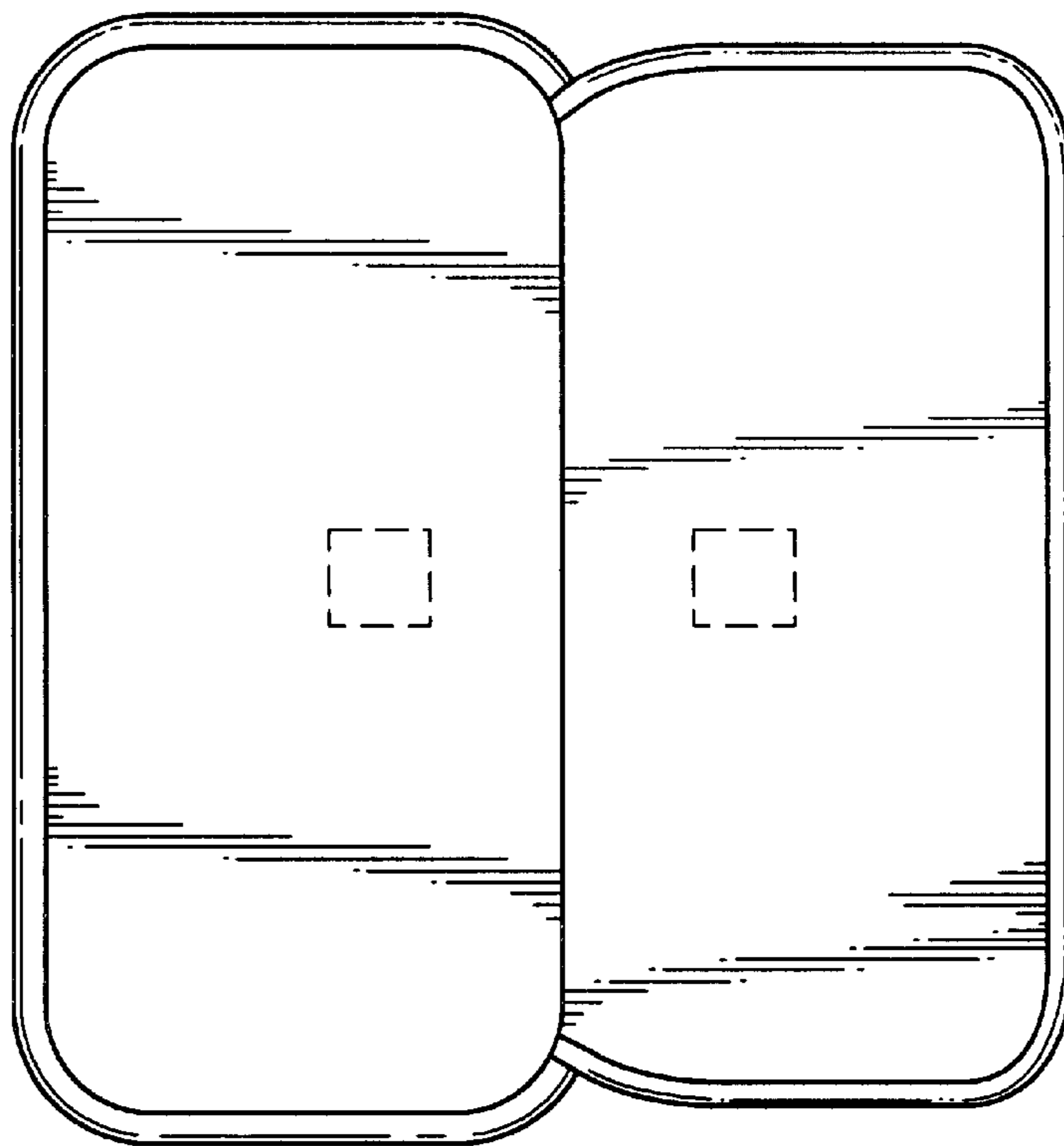


FIG.4



FIG. 6



FIG. 5



FIG. 7



FIG. 8