



US00D487090S

(12) **United States Design Patent**
Wilson et al.

(10) **Patent No.:** **US D487,090 S**

(45) **Date of Patent:** **** Feb. 24, 2004**

(54) **COMPUTER EQUIPMENT**

(75) Inventors: **Helena Wilson**, Camberley (GB);
James Robert Kitchen, Nr Tadley (GB);
Nigel D. Ritson, Aldershot (GB);
Andrew P. Tosh, Arlington, MA (US);
Christopher H. Frank, San Jose, CA (US);
James Mark Stanton, San Jose, CA (US);
June Lee, San Francisco, CA (US)

(73) Assignee: **Sun Microsystems, Inc.**, Santa Clara, CA (US)

(**) Term: **14 Years**

(21) Appl. No.: **29/172,886**

(22) Filed: **Dec. 18, 2002**

(30) **Foreign Application Priority Data**

Jun. 18, 2002 (GB) 3004560
Jun. 20, 2002 (GB) 3004633

(51) **LOC (7) Cl.** **14-02**

(52) **U.S. Cl.** **D14/439**

(58) **Field of Search** D14/300-313,
D14/348-356, 441, 444, 445, 446, 432,
439; 312/223.2; 361/683, 684, 687, 690,
695, 724-730, 796; 710/100

(56) **References Cited**

U.S. PATENT DOCUMENTS

5,359,492 A * 10/1994 Porter 361/683
5,995,377 A * 11/1999 Tusler et al. 361/796
6,018,125 A * 1/2000 Collins et al. 174/35 R
D423,479 S * 4/2000 Alo et al. D14/432
6,052,278 A * 4/2000 Tanzer et al. 361/685
6,064,568 A * 5/2000 Schmitt 361/685
6,067,225 A * 5/2000 Reznikov et al. 361/685
6,154,361 A * 11/2000 Anderson et al. 361/685

D442,181 S * 5/2001 Alo et al. D14/432
6,424,523 B1 * 7/2002 Curtis et al. 361/685
6,424,526 B1 * 7/2002 Heard 361/687
6,473,300 B1 * 10/2002 Youngquist et al. 361/685
6,498,723 B1 * 12/2002 Konshak et al. 361/685
D469,084 S * 1/2003 Frank D14/313
D475,027 S * 5/2003 Frank et al. D13/182
6,560,098 B1 * 5/2003 Beinor, Jr. et al. 361/685
D476,990 S * 7/2003 Lee et al. D14/363
2002/0141153 A1 * 10/2002 Su 361/687
2002/0199048 A1 * 12/2002 Rabinovitz 710/100
2003/0011979 A1 * 1/2003 Tanzer 361/685
2003/0011981 A1 * 1/2003 Curtis 361/685
2003/0030977 A1 * 2/2003 Garnett et al. 361/687

* cited by examiner

Primary Examiner—Joel Sincavage

(74) *Attorney, Agent, or Firm*—Meyertons Hood Kivlin
Kowert & Goetzl, P.C.; B. Noël Kivlin

(57) **CLAIM**

The ornamental design for computer equipment, as shown and described.

DESCRIPTION

FIG. 1 is a front perspective view from above and one side of a computer equipment.

FIG. 2 is a rear perspective view from below and other side of a computer equipment.

FIG. 3 is a side view of computer equipment.

FIG. 4 is another side view of computer equipment.

FIG. 5 is a plan view of computer equipment.

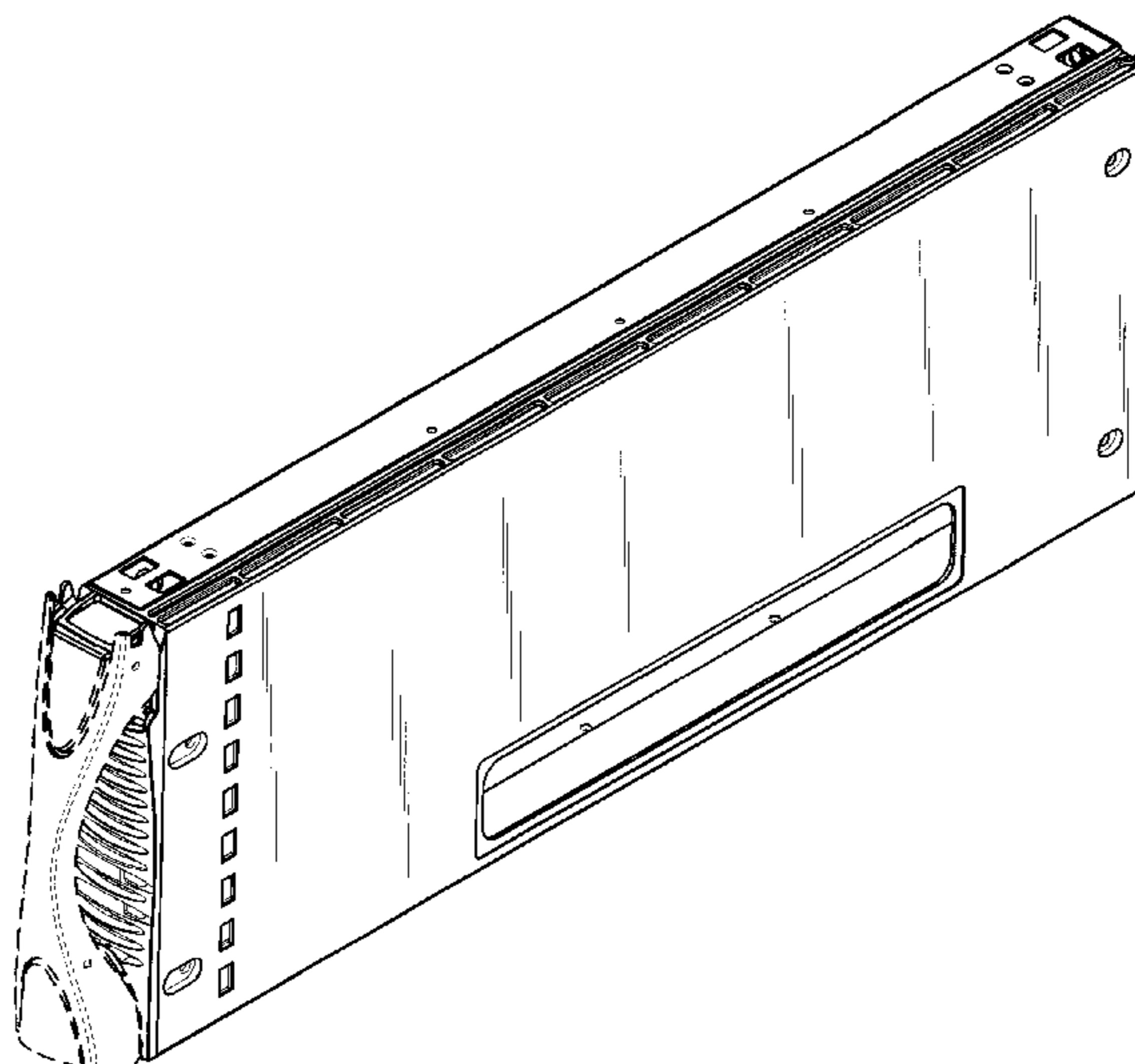
FIG. 6 is an underneath plan view of computer equipment.

FIG. 7 is a front view of computer equipment; and,

FIG. 8 is a rear view of computer equipment.

The portions of the drawings shown in broken lines are for illustrative purposes only and form no part of the claimed design.

1 Claim, 4 Drawing Sheets



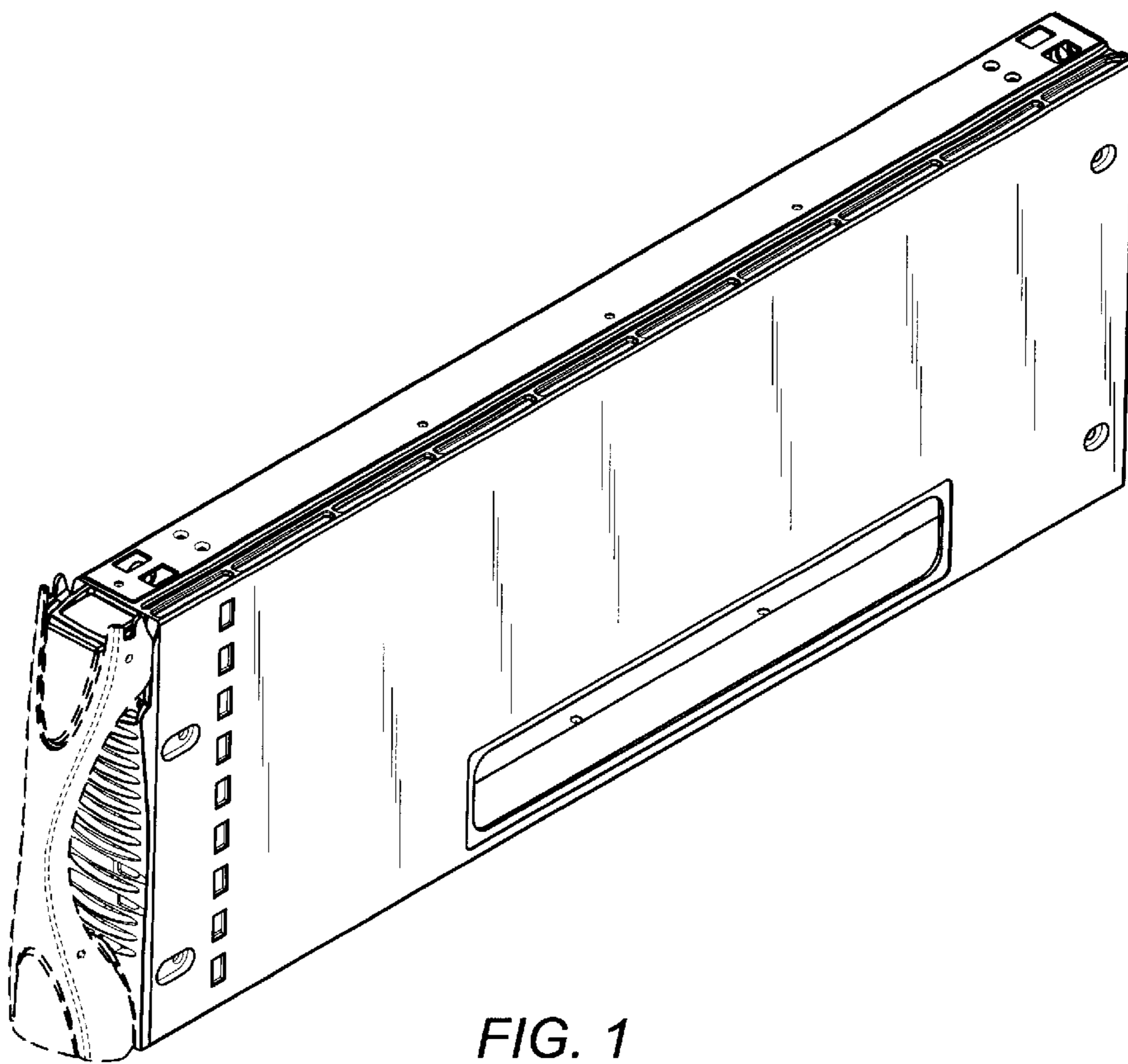


FIG. 1

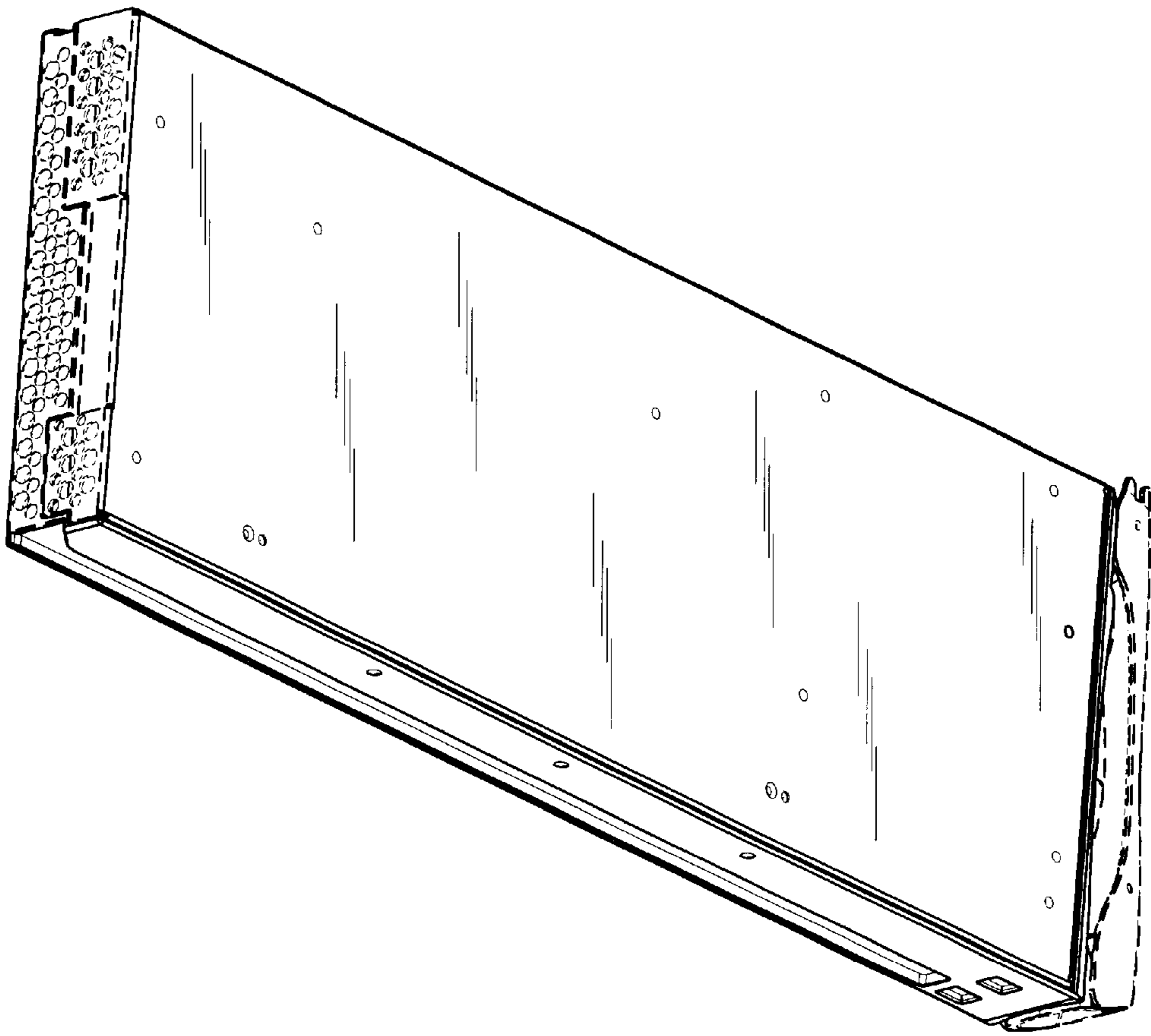


FIG. 2

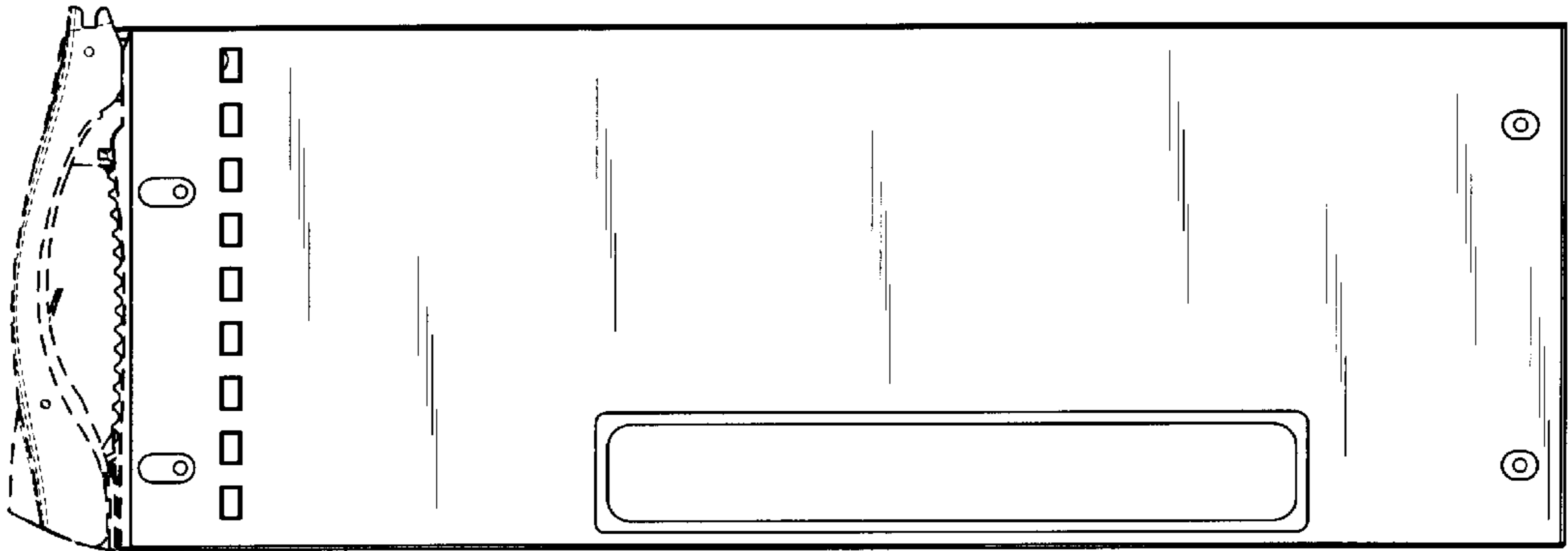


FIG. 3

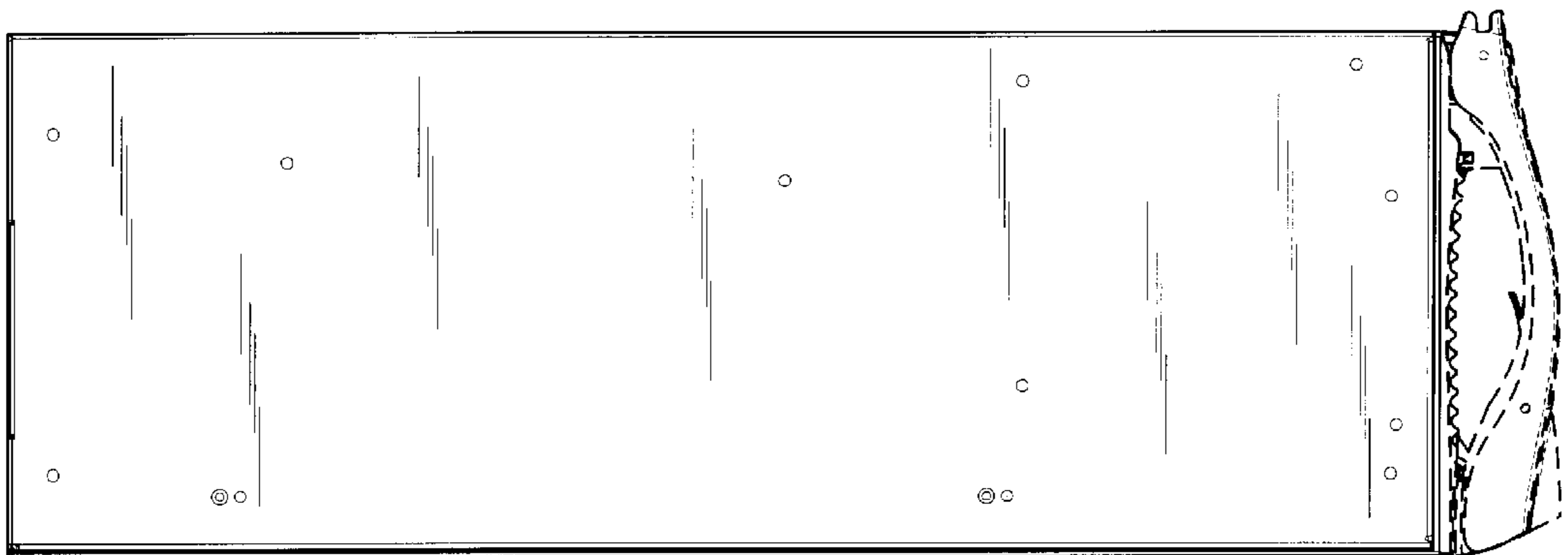


FIG. 4

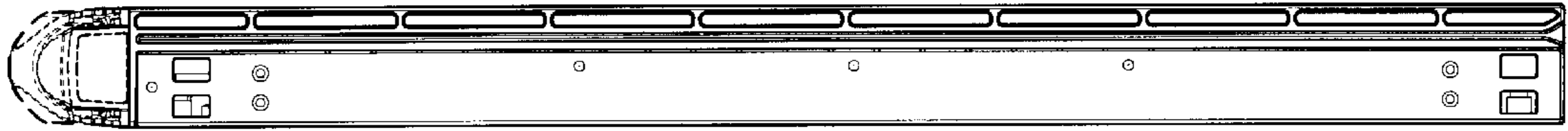


FIG. 5

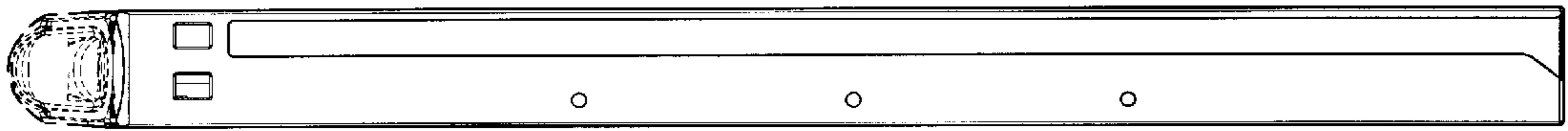


FIG. 6

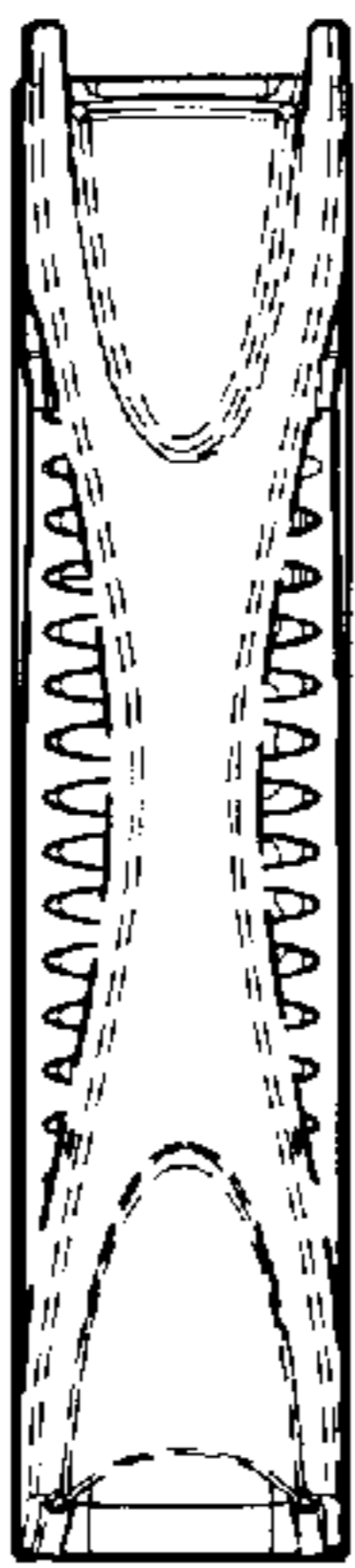


FIG. 7

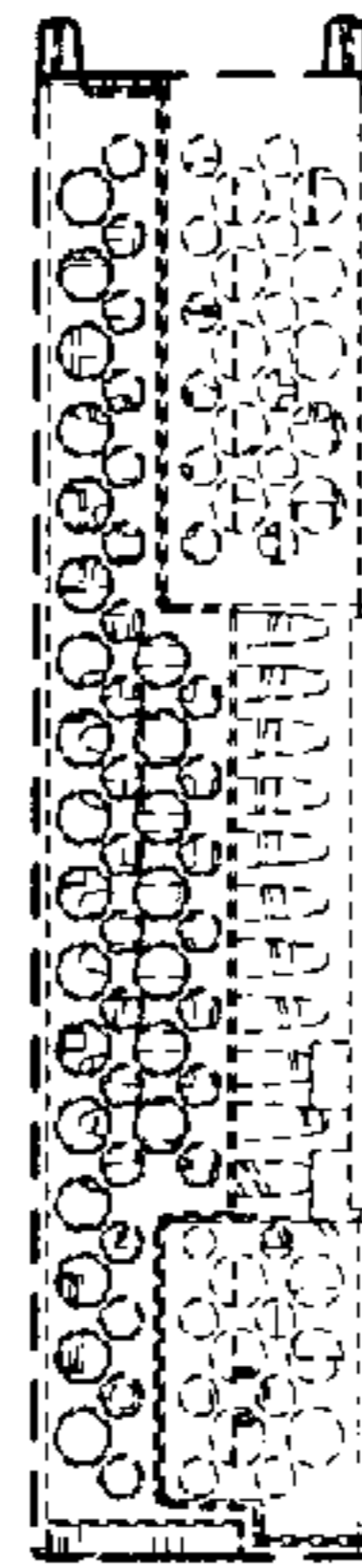


FIG. 8