



US00D487086S

(12) **United States Design Patent**
Chung

(10) **Patent No.:** **US D487,086 S**

(45) **Date of Patent:** **** Feb. 24, 2004**

(54) **NETWORK DEVICE**

(75) Inventor: **Ming-Tsai Chung**, Hsinchu (TW)

(73) Assignee: **D-Link Corporation**, Hsinchu (TW)

(**) Term: **14 Years**

(21) Appl. No.: **29/166,748**

(22) Filed: **Sep. 5, 2002**

(51) **LOC (7) Cl.** **14-02**

(52) **U.S. Cl.** **D14/356; D14/433**

(58) **Field of Search** **D14/356-358,**
D14/433, 240; D13/162, 184, 199, 123,
110; 361/680-686, 690-696; 439/717; 220/4.02

(56) **References Cited**

U.S. PATENT DOCUMENTS

D418,487 S	*	1/2000	Gallahan et al.	D14/356
D425,021 S	*	5/2000	Ko	D13/123
6,085,925 A	*	7/2000	Chung	220/4.02
D434,040 S	*	11/2000	Yasufuku et al.	D14/433

D434,374 S	*	11/2000	Ko	D13/123
D435,044 S	*	12/2000	Oviatt et al.	D14/356
6,328,612 B1	*	12/2001	Chung	439/717

* cited by examiner

Primary Examiner—Freda Nunn

(74) *Attorney, Agent, or Firm*—Bacon & Thomas, PLLC

(57) **CLAIM**

The ornamental design for a network device, as shown and described.

DESCRIPTION

FIG. 1 is a perspective view of a network device showing my new design.

FIG. 2 is a front elevational view thereof;

FIG. 3 is a rear elevational view thereof;

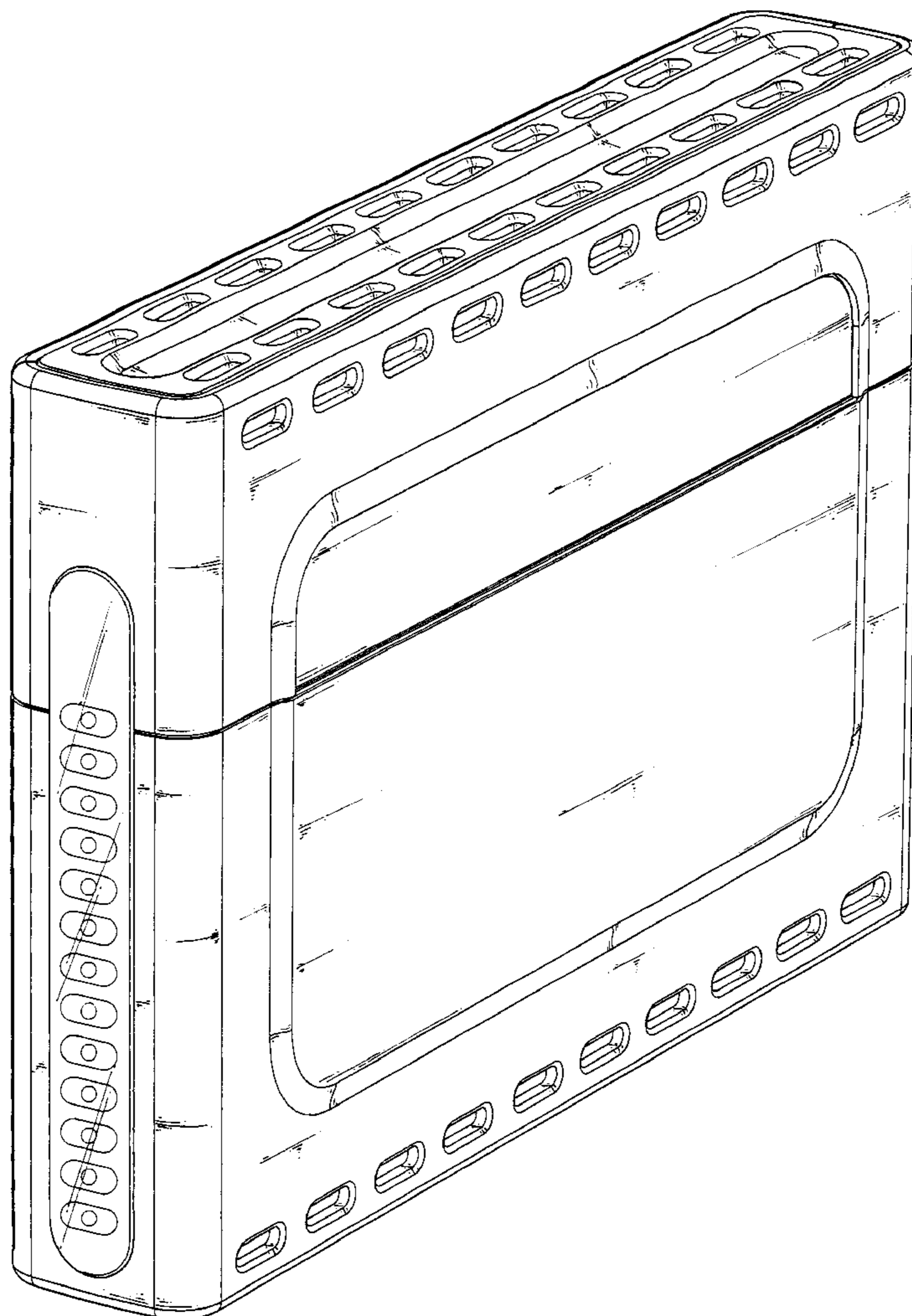
FIG. 4 is a left side elevational view thereof;

FIG. 5 is a right side elevational view thereof;

FIG. 6 is a top plan view thereof; and,

FIG. 7 is a bottom plan view thereof.

1 Claim, 5 Drawing Sheets



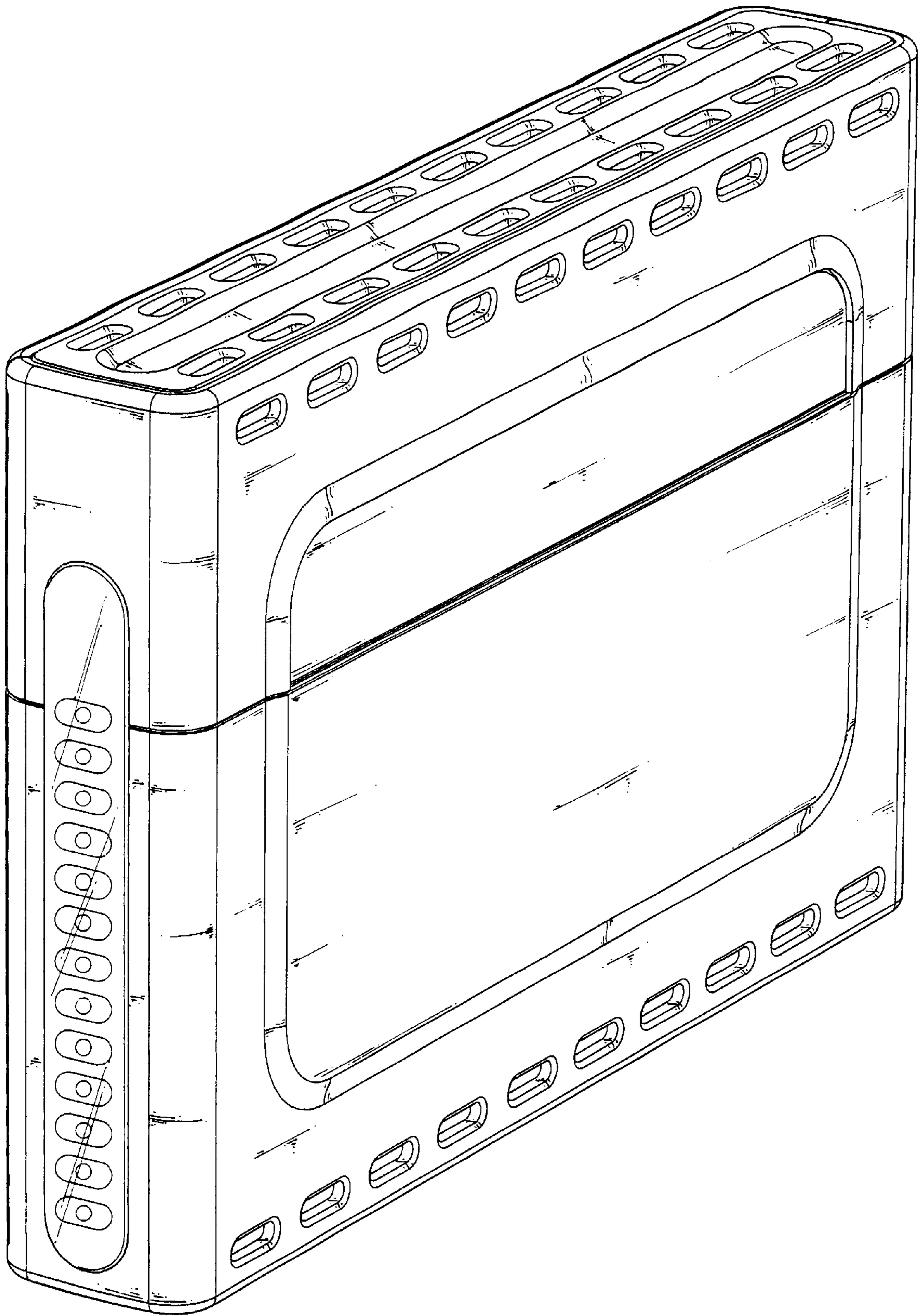


FIG. 1

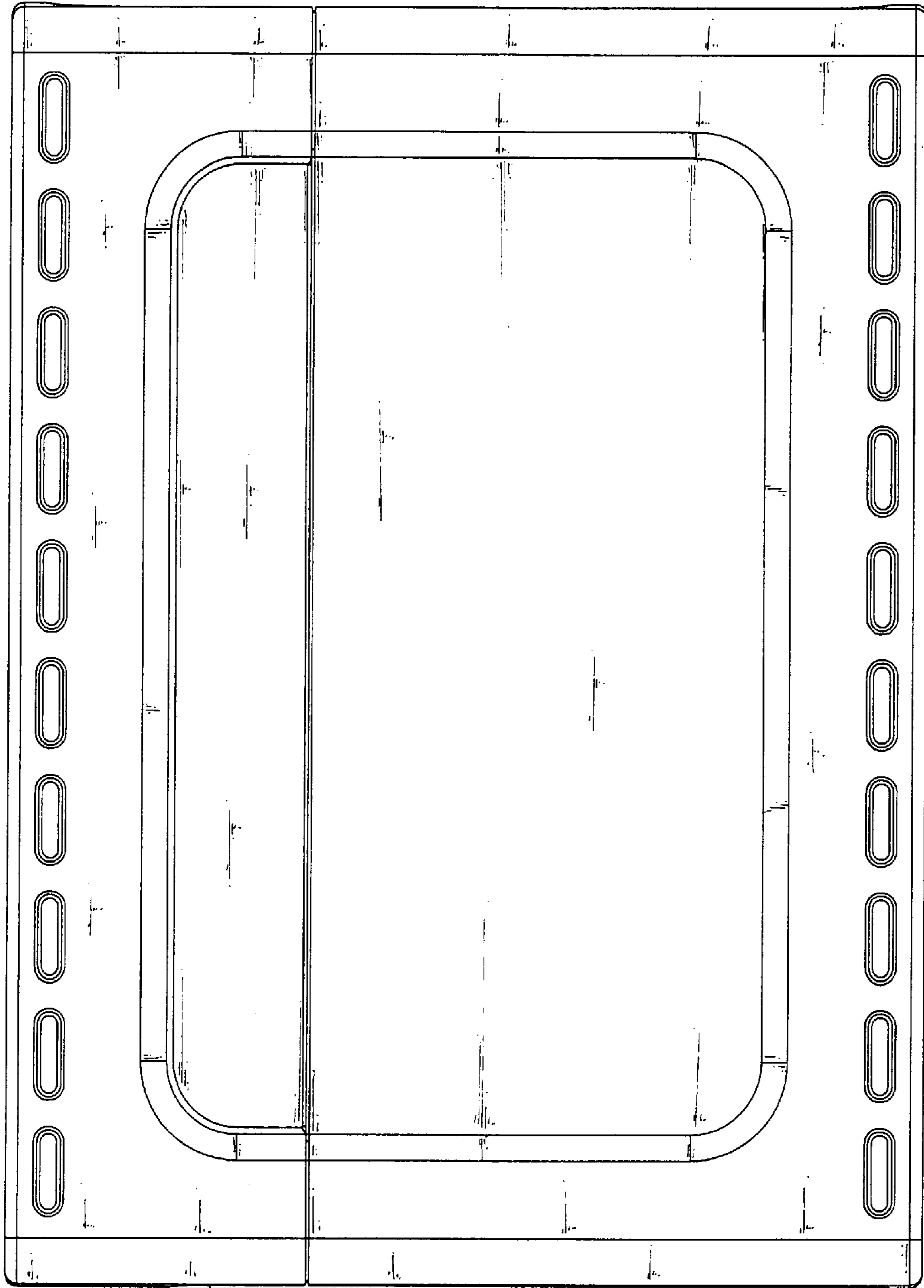


FIG. 2

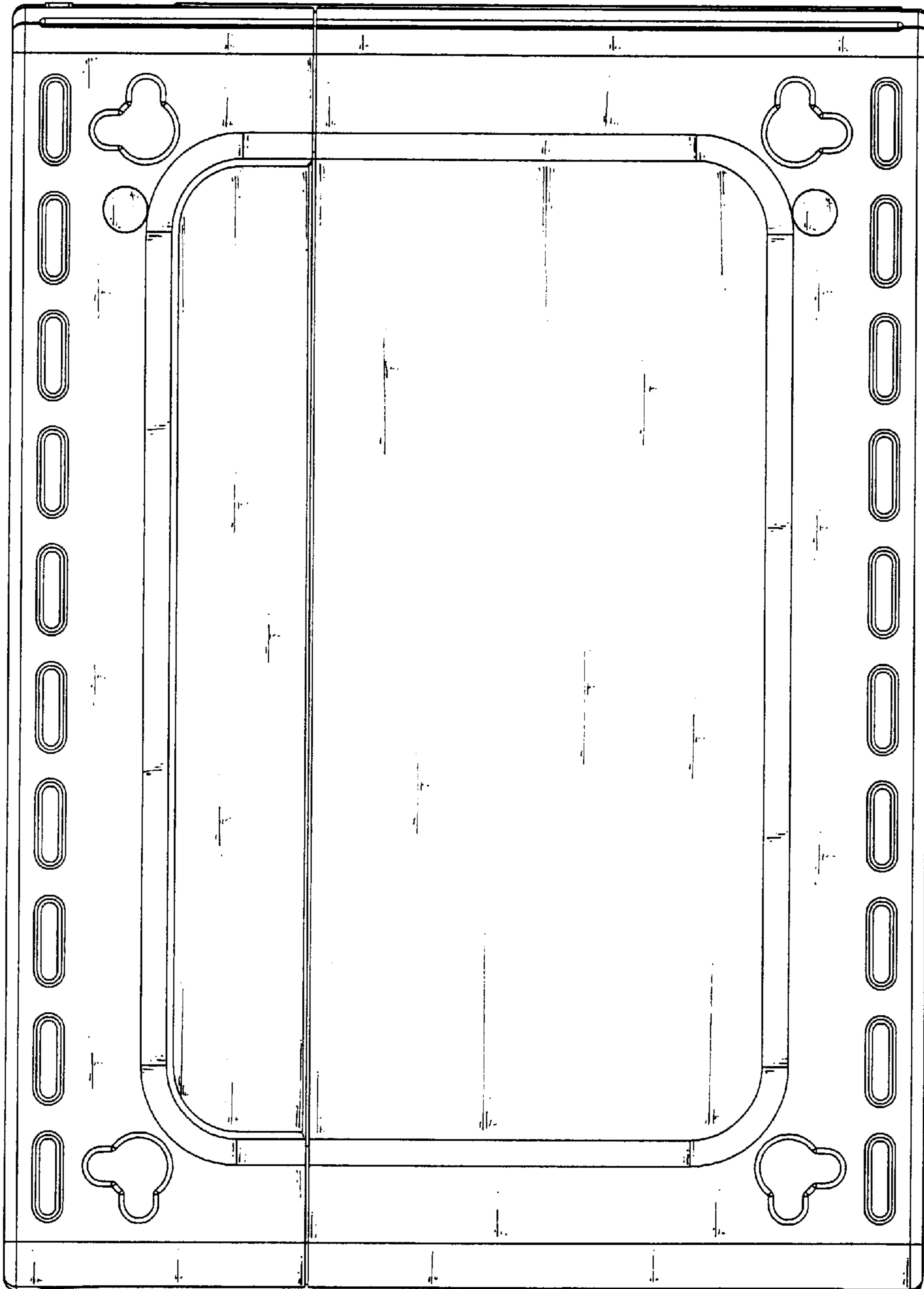


FIG. 3

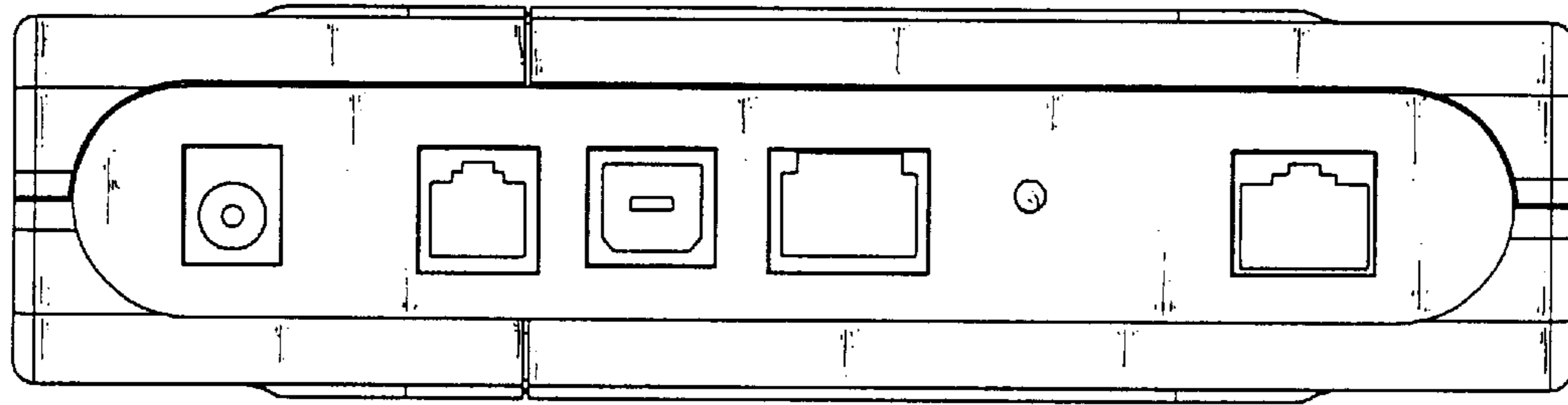


FIG. 5

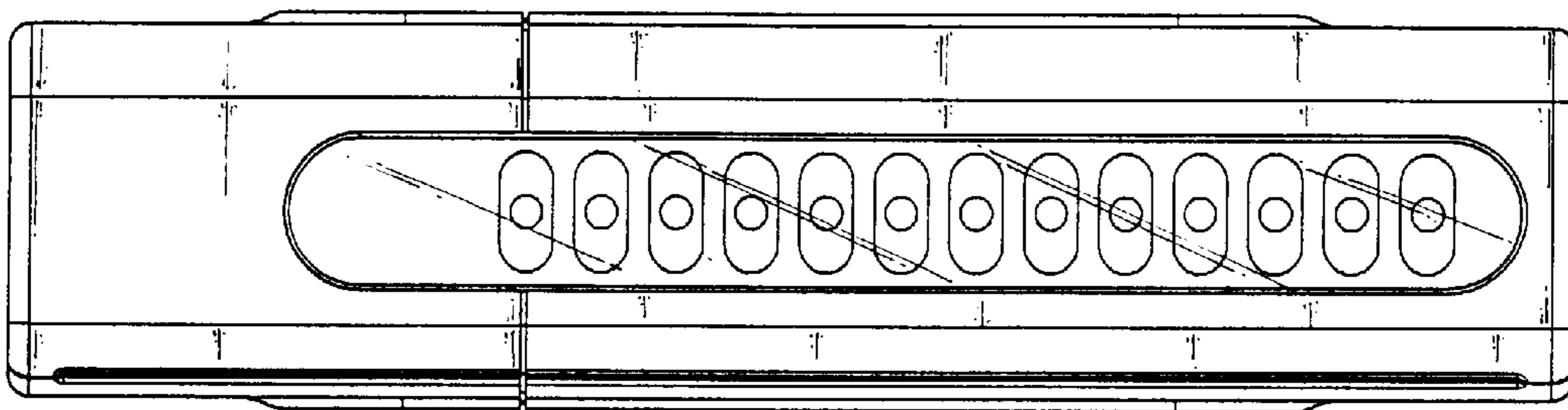


FIG. 4

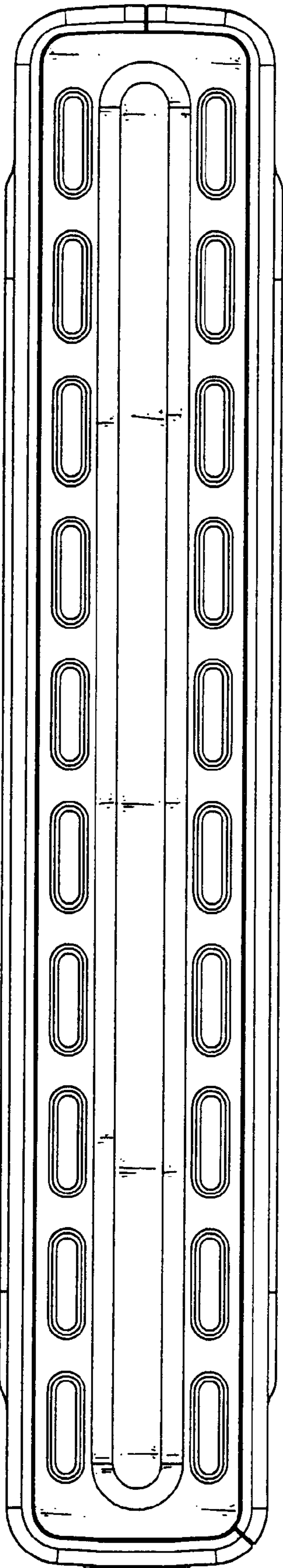


FIG. 6

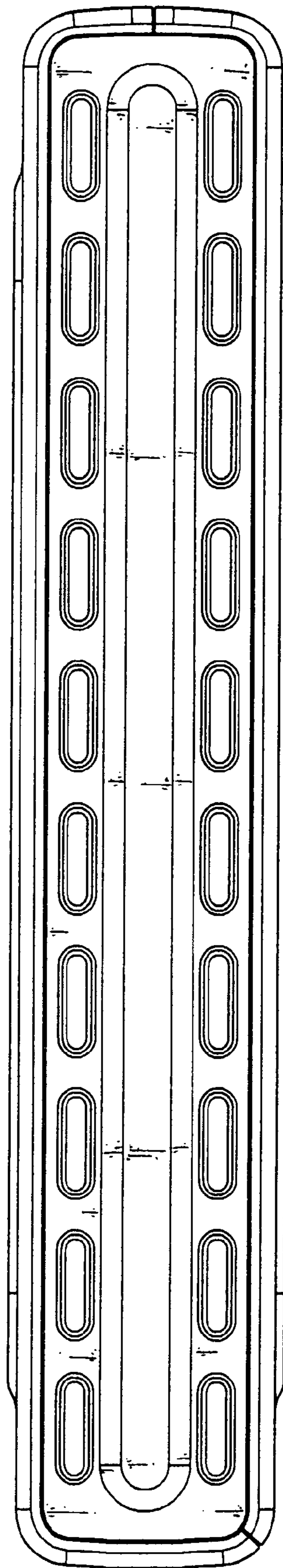


FIG. 7