



US00D487083S

(12) **United States Design Patent**
Asahina et al.

(10) **Patent No.:** **US D487,083 S**

(45) **Date of Patent:** **** Feb. 24, 2004**

(54) **TELEPHONE RECEIVER WITH A SPEAKER**

(75) Inventors: **Masato Asahina**, Yamanashi-ken (JP);
Masahito Furuya, Yamanashi-ken (JP)

(73) Assignee: **Citizen Electronics Co., Ltd.**,
Yamanashi-ken (JP)

(**) Term: **14 Years**

(21) Appl. No.: **29/165,070**

(22) Filed: **Aug. 6, 2002**

(51) **LOC (7) Cl.** **14-03**

(52) **U.S. Cl.** **D14/248**; D14/216; D14/249

(58) **Field of Search** D14/137, 138,
D14/218, 147-148, 247-24, 249, 212, 144,
240, 204, 210, 341-347, 216, 215; 379/433.01-433.13,
419, 434, 428.01-428.04, 420.01-420.04,
440, 437, 447, 451, 452; 455/550.1-90.3;
D21/517; 381/396; 181/153

(56) **References Cited**

U.S. PATENT DOCUMENTS

D274,429	S	*	6/1984	Walker, Jr.	D14/249
D274,516	S	*	7/1984	Walker, Jr.	D14/249
D301,332	S	*	5/1989	Schwartz	D13/168
D320,798	S	*	10/1991	Holt	D14/249
5,166,984	A	*	11/1992	Hsiao	381/199
5,195,142	A	*	3/1993	D'Avolio et al.	381/173
5,231,659	A	*	7/1993	Abraham et al.	379/433
D362,442	S	*	9/1995	Goldfarb	D14/216
D376,593	S	*	12/1996	Riggs	D14/137
D384,076	S	*	9/1997	Lazzeroni et al.	D14/216
D395,898	S	*	7/1998	Suzuki	D14/249
6,072,887	A	*	6/2000	Wei	381/412
D446,785	S	*	8/2001	Ohta	D14/216
D469,071	S	*	1/2003	Hsu	D14/142

D469,417	S	*	1/2003	Hsu	D14/142
D469,418	S	*	1/2003	Hsu	D14/142
6,570,992	B1	*	5/2003	Folan et al.	381/365
2002/0114473	A1	*	8/2002	Kuwabara	381/87
2003/0044040	A1	*	3/2003	Lee	381/396
2003/0059079	A1	*	3/2003	Asahina	381/396
2003/0076969	A1	*	4/2003	Han	381/165
2003/0086562	A1	*	5/2003	Wong	379/420.1
2003/0095680	A1	*	5/2003	Kim	381/409

OTHER PUBLICATIONS

<http://www.c-e.co.jp/e/products/index4.html>, (c) 1999, site visited Sep. 23, 2003, Multi-function Receiver and Speaker CSR Series.*

* cited by examiner

Primary Examiner—Jeffrey Asch

(74) *Attorney, Agent, or Firm*—Dennison, Schultz,
Dougherty & MacDonald

(57) **CLAIM**

The ornamental design for a telephone receiver with a speaker, as shown and described.

DESCRIPTION

FIG. 1 is a front view of a telephone receiver with a speaker embodying our new design;
FIG. 2 is a top plan view thereof;
FIG. 3 is a rear view thereof;
FIG. 4 is a bottom view thereof;
FIG. 5 is a right side view thereof;
FIG. 6 is a left side view thereof;
FIG. 7 is a perspective view of the telephone receiver; and,
FIG. 8 is a perspective view as viewed from the portion below the telephone receiver.

1 Claim, 4 Drawing Sheets

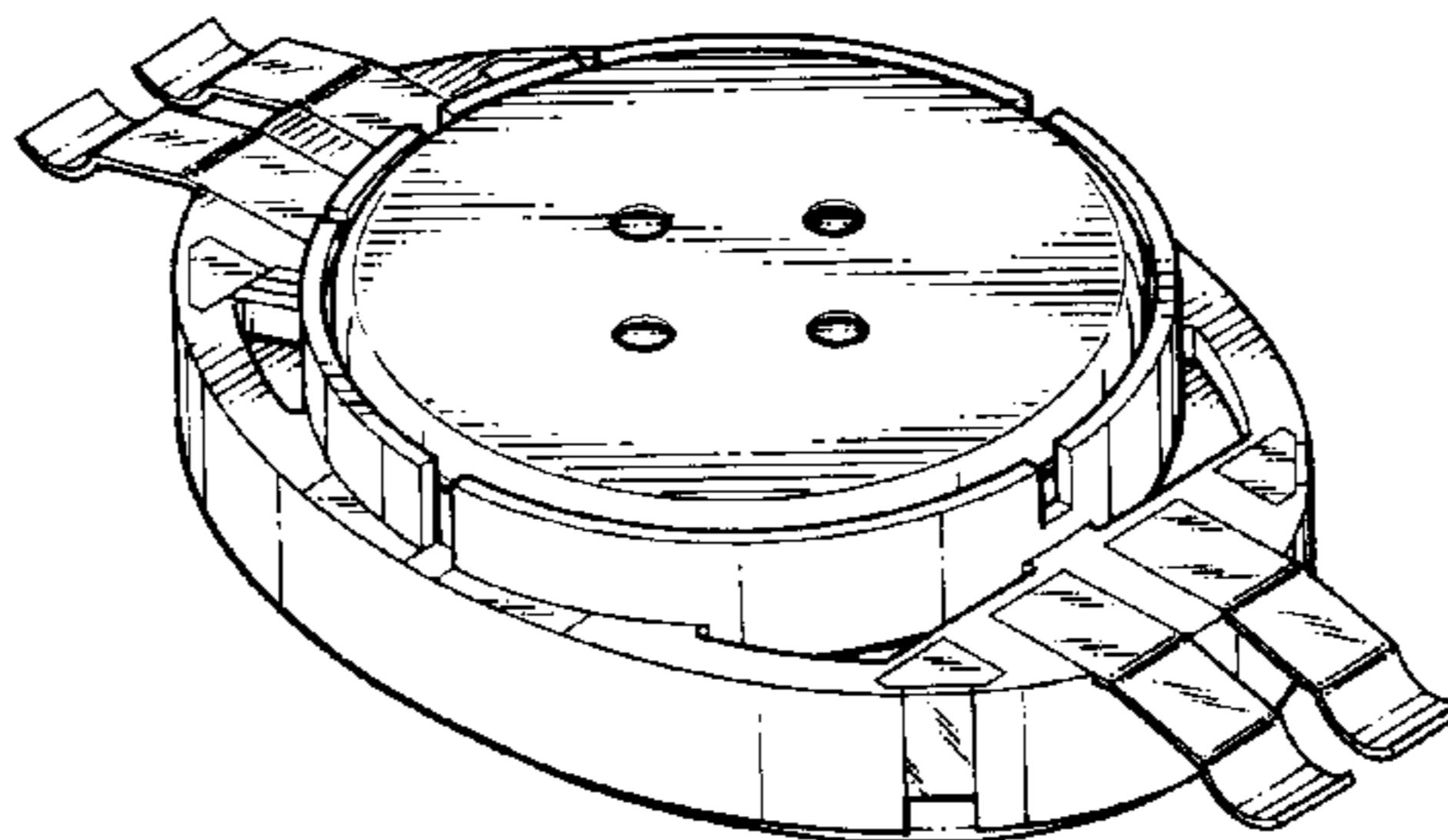
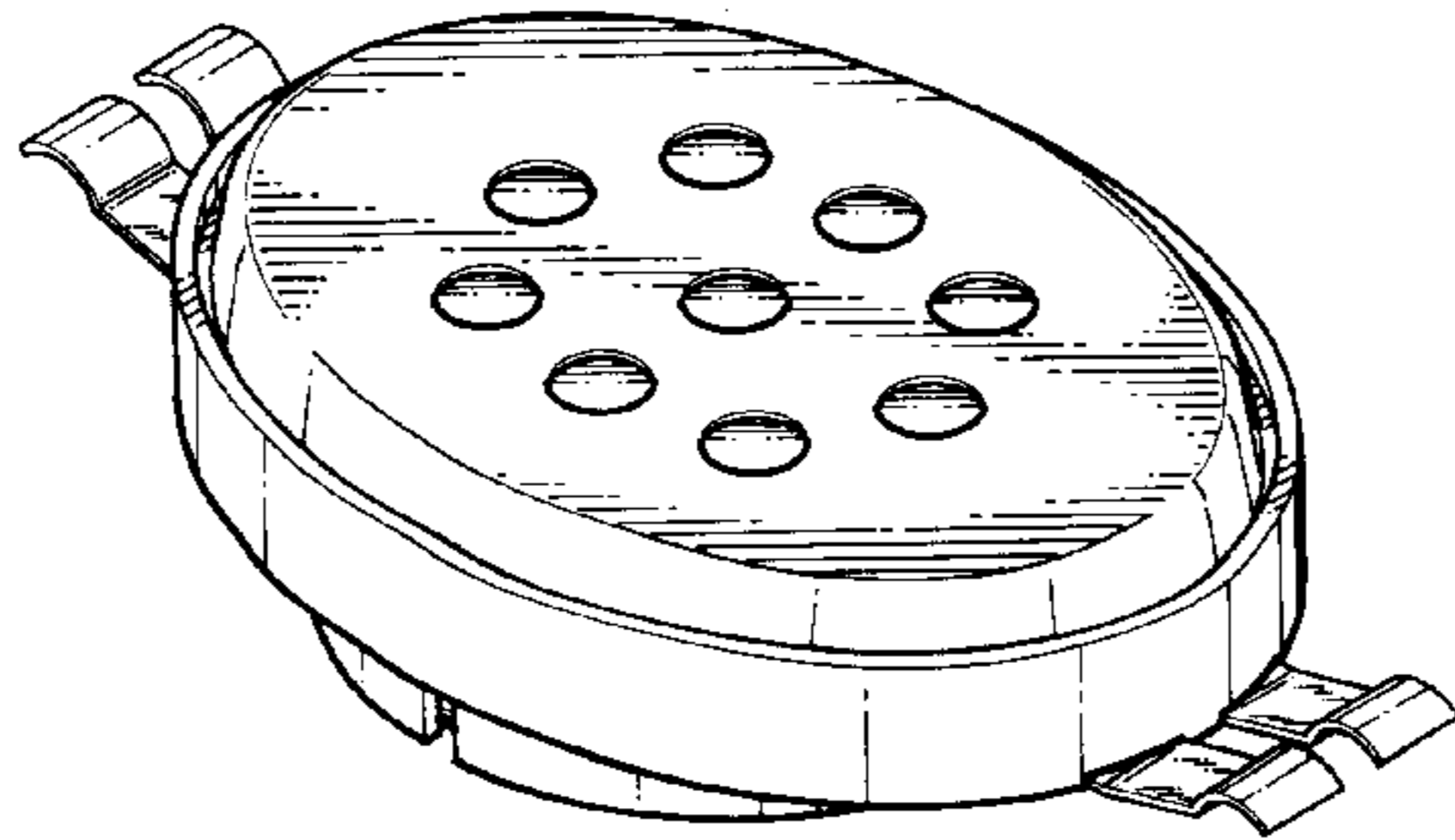


Fig. 1

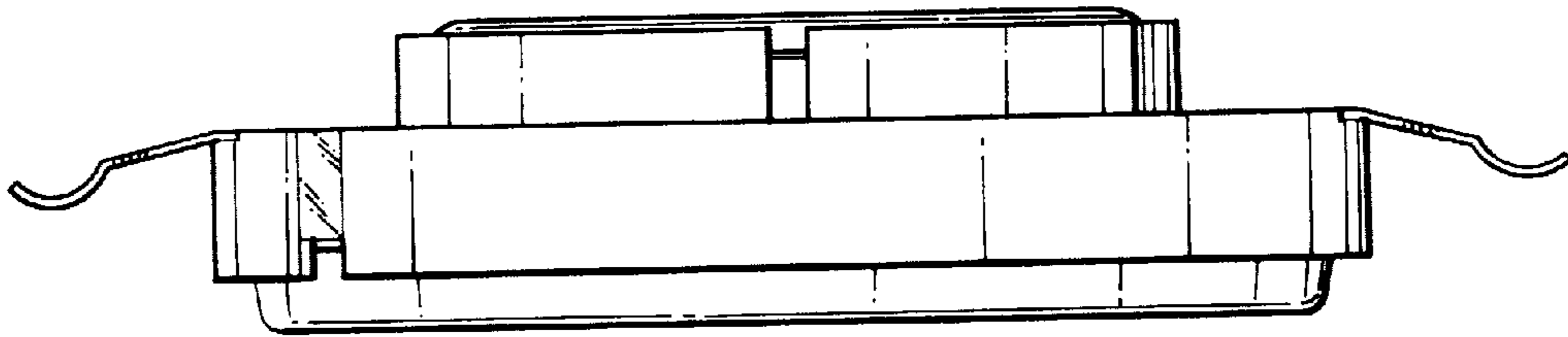


Fig. 2

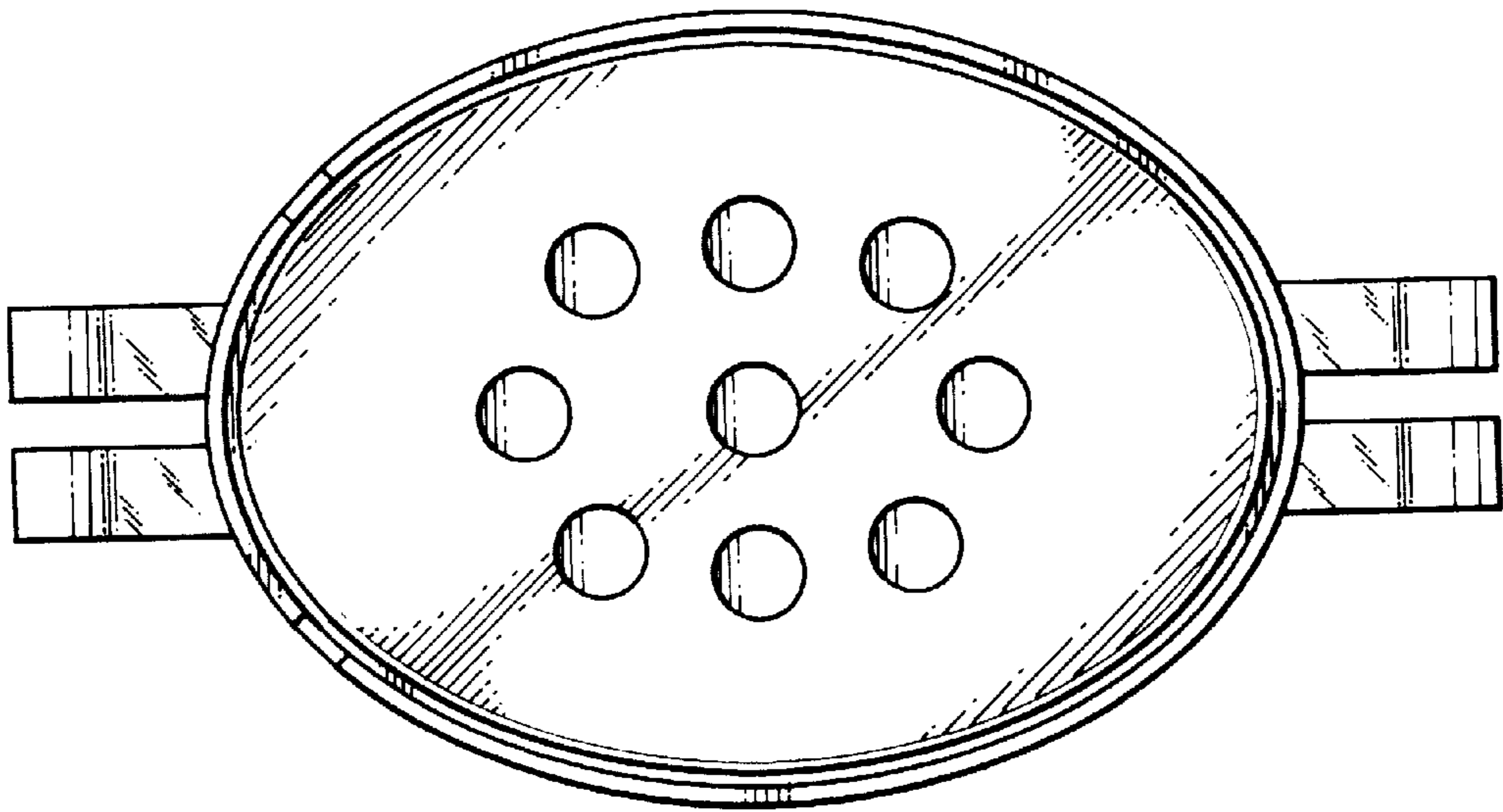


Fig. 3

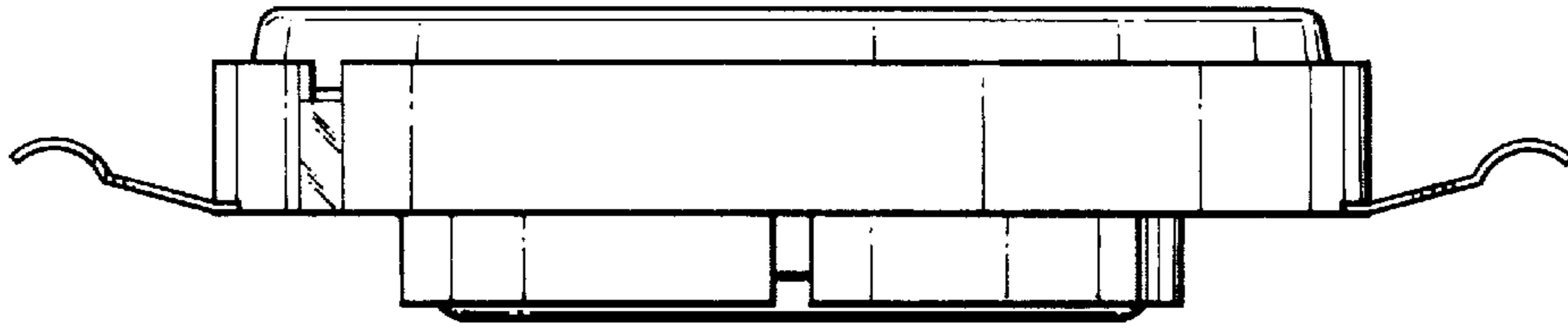


Fig. 4

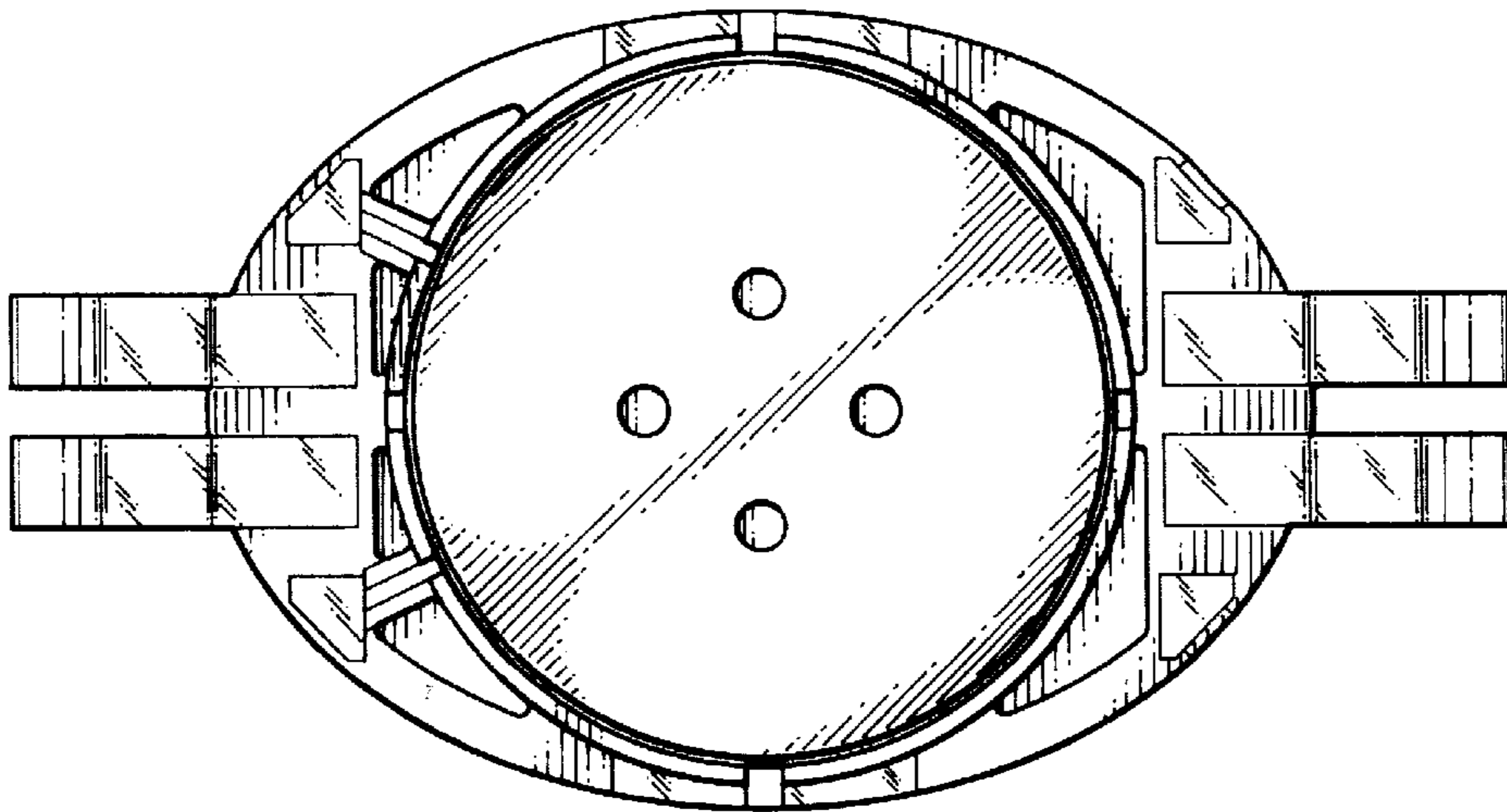


Fig. 5

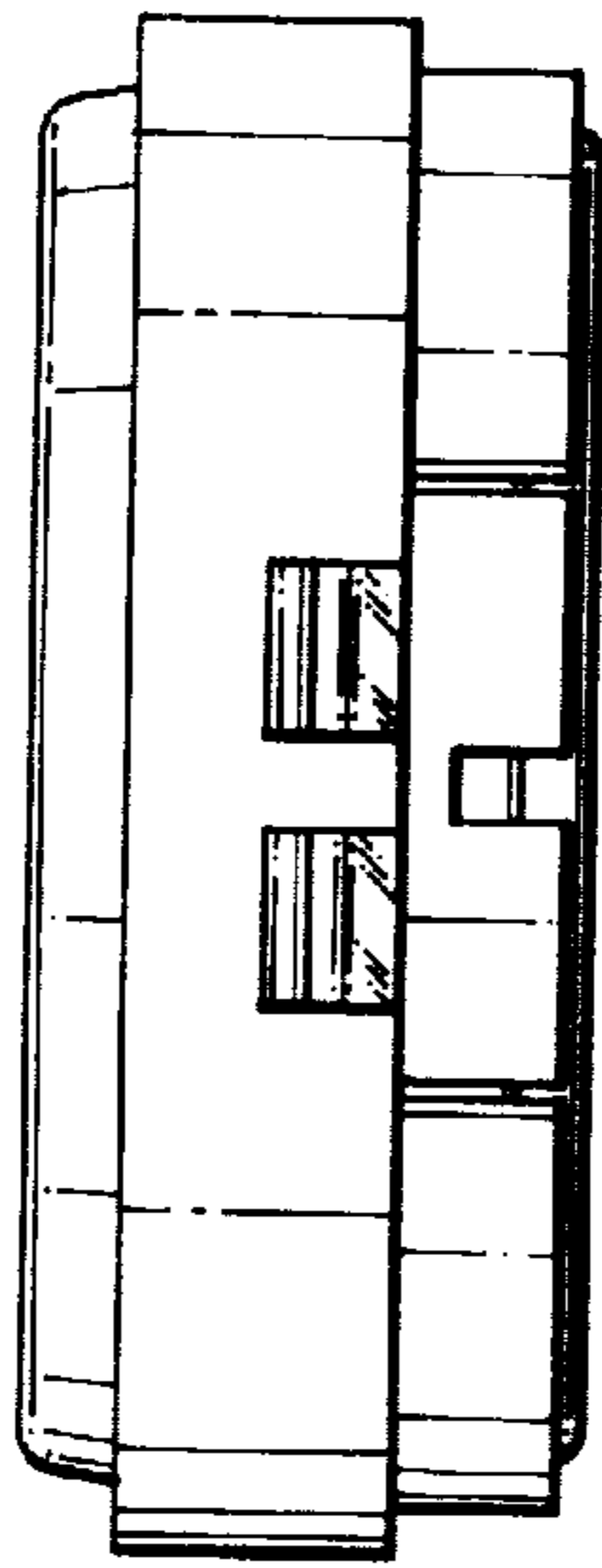


Fig. 6

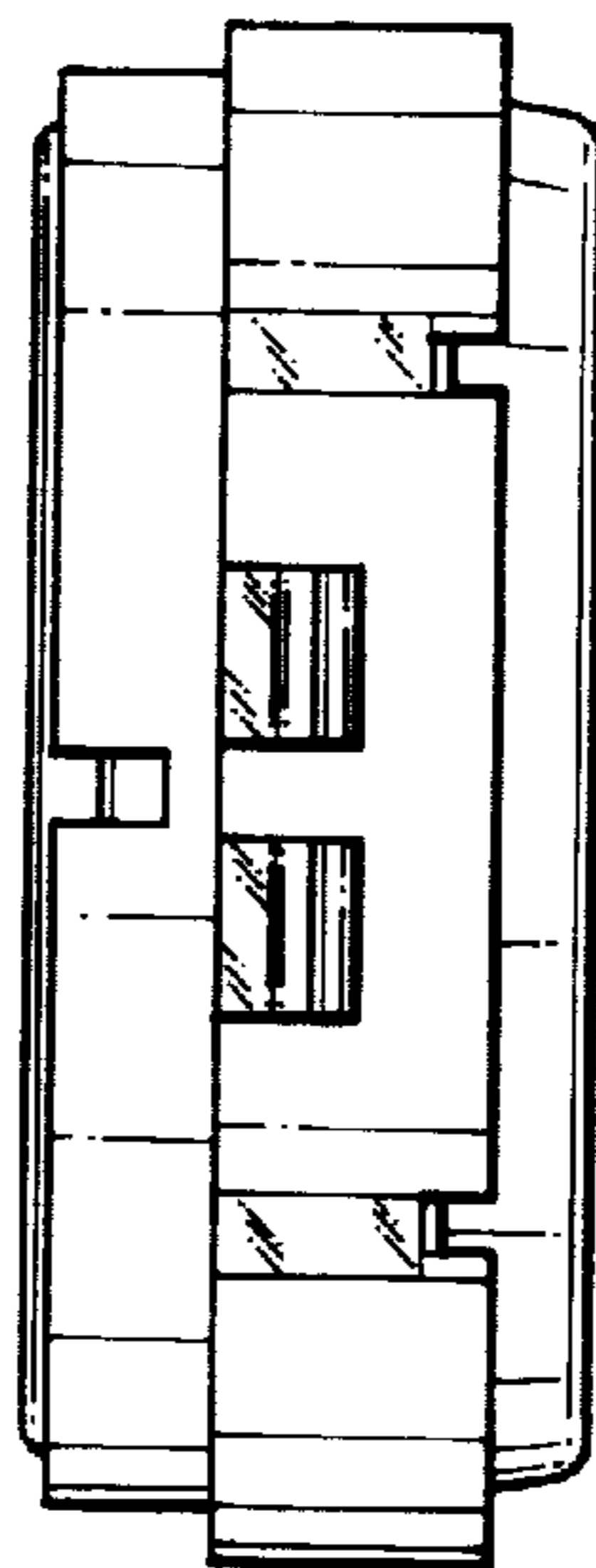


Fig. 7

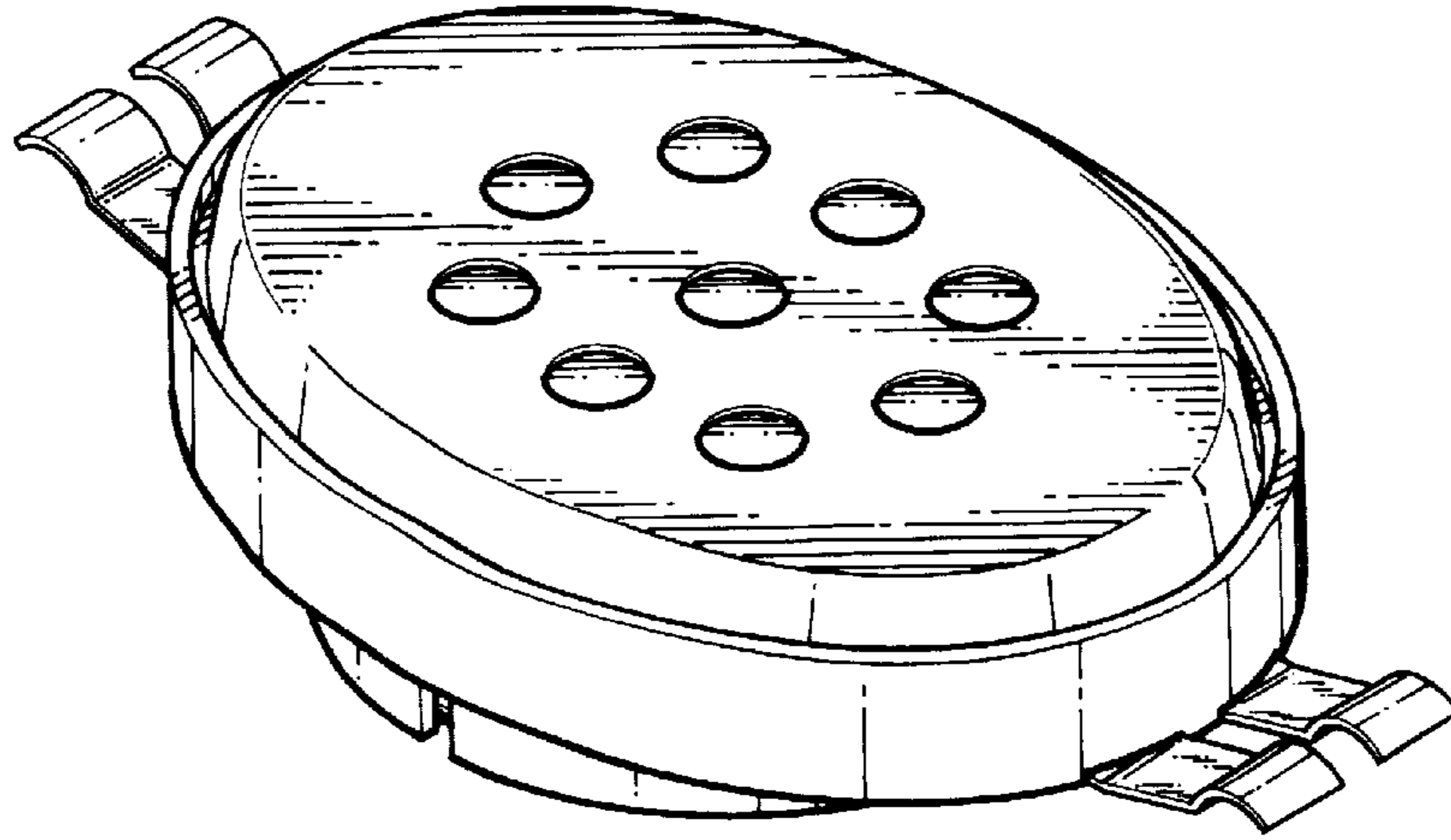


Fig. 8

