



US00D487082S

(12) **United States Design Patent**
Wang et al.

(10) **Patent No.: US D487,082 S**

(45) **Date of Patent: ** Feb. 24, 2004**

(54) **KEYPAD**

(75) Inventors: **Feng-Chun Wang**, Taichung (TW);
Gwo-Chyuan Chen, Taipei (TW)

(73) Assignee: **Quanta Computer, Inc.**, Tao Yuan
Shien (TW)

(**) Term: **14 Years**

(21) Appl. No.: **29/168,987**

(22) Filed: **Oct. 10, 2002**

(51) **LOC (7) Cl. 14-03**

(52) **U.S. Cl. D14/247**

(58) **Field of Search** D14/137, 138,
D14/218, 399, 147-148, 426, 387, 247-249,
429, 453, 144, 455, 456, 244, 246, 341-347,
338-340; 379/433.01-433.13, 434, 419,
420.01-420.04, 428.01-428.02, 440, 368-370;
455/550.1-90.3; D10/37, 126; D18/2, 7;
D21/517; D11/80; D28/78, 79, 82; 345/168,
169; D13/168

(56) **References Cited**

U.S. PATENT DOCUMENTS

D213,832 S	*	4/1969	Hagelbarger	D14/246
D248,650 S	*	7/1978	Bellenger et al.	D14/247
4,255,806 A	*	3/1981	Fahrenschon et al.	368/240
D292,286 S	*	10/1987	Basch	D14/143
D298,517 S	*	11/1988	Fontana	D10/126
D322,415 S	*	12/1991	Ritchie	D10/126
D354,922 S	*	1/1995	Gartner	D10/106
D371,791 S	*	7/1996	Patton	D14/218
D371,792 S	*	7/1996	Patton	D14/218
D371,793 S	*	7/1996	Patton	D14/218
D378,201 S	*	2/1997	Svast	D10/126

D386,152 S	*	11/1997	Warneke	D14/100
D401,577 S	*	11/1998	Yamaguchi	D14/138
5,901,223 A	*	5/1999	Wicks et al.	379/433.13
D413,600 S	*	9/1999	Cheng et al.	D14/218
D440,970 S	*	4/2001	Henderson et al.	D14/399
D448,018 S	*	9/2001	Arjomand et al.	D14/218
D456,791 S	*	5/2002	Forakis et al.	D14/138
D457,149 S	*	5/2002	Arpe	D14/138
6,420,959 B1	*	7/2002	Lizzi	340/7.39
D469,367 S	*	1/2003	Mirabelli et al.	D10/65
D472,837 S	*	4/2003	Moritz et al.	D10/128
D474,478 S	*	5/2003	Laverick et al.	D14/456
6,593,914 B1	*	7/2003	Nuovo et al.	345/169
2003/0044000 A1	*	3/2003	Kfoury et al.	379/433.04

* cited by examiner

Primary Examiner—Jeffrey Asch

(57) **CLAIM**

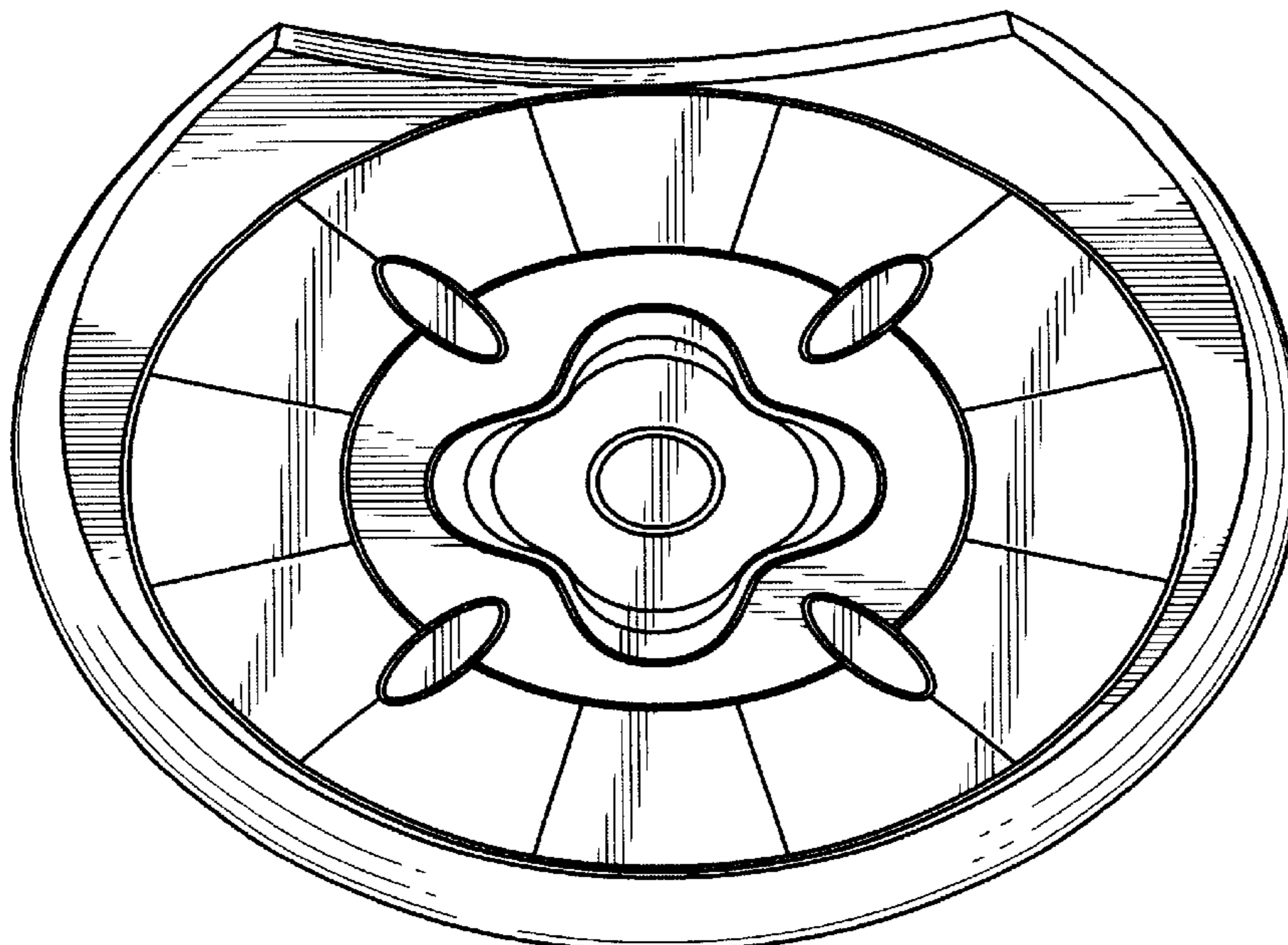
The ornamental design for a keypad, as shown and described.

DESCRIPTION

FIG. 1 is a perspective view, as viewed from the front, of a keypad showing our new design;
FIG. 2 is a front elevational view thereof;
FIG. 3 is a left side elevational view thereof;
FIG. 4 is a right side elevational view thereof;
FIG. 5 is a top plan view thereof;
FIG. 6 is a bottom plan view thereof;
FIG. 7 is a rear elevational view thereof; and,
FIG. 8 is a front, side perspective view thereof showing the state of use.

The broken line showing of a cellular phone shown in FIG. 8 is for illustration purposes only and forms no part of the claimed invention.

1 Claim, 3 Drawing Sheets



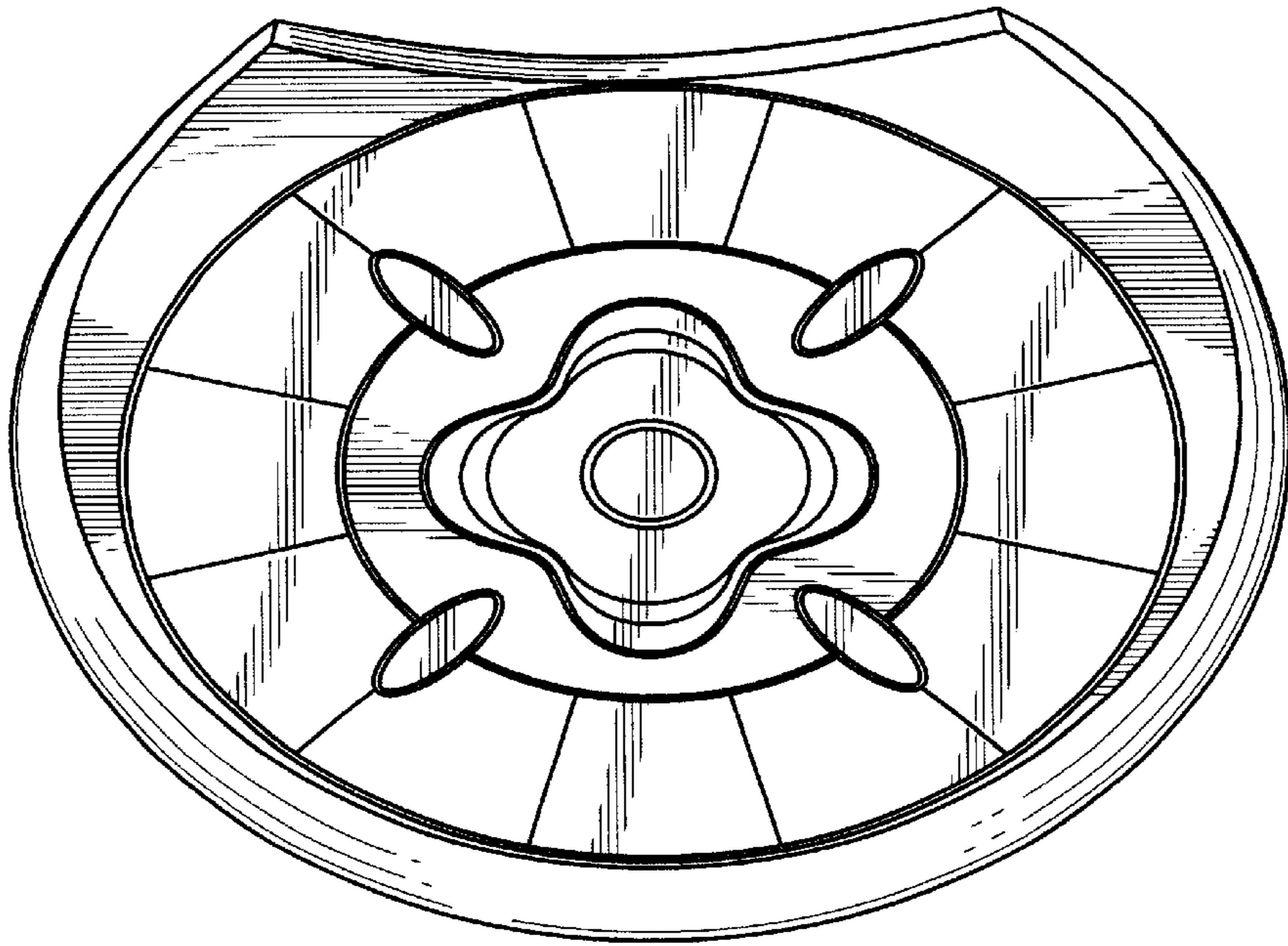


Fig. 1

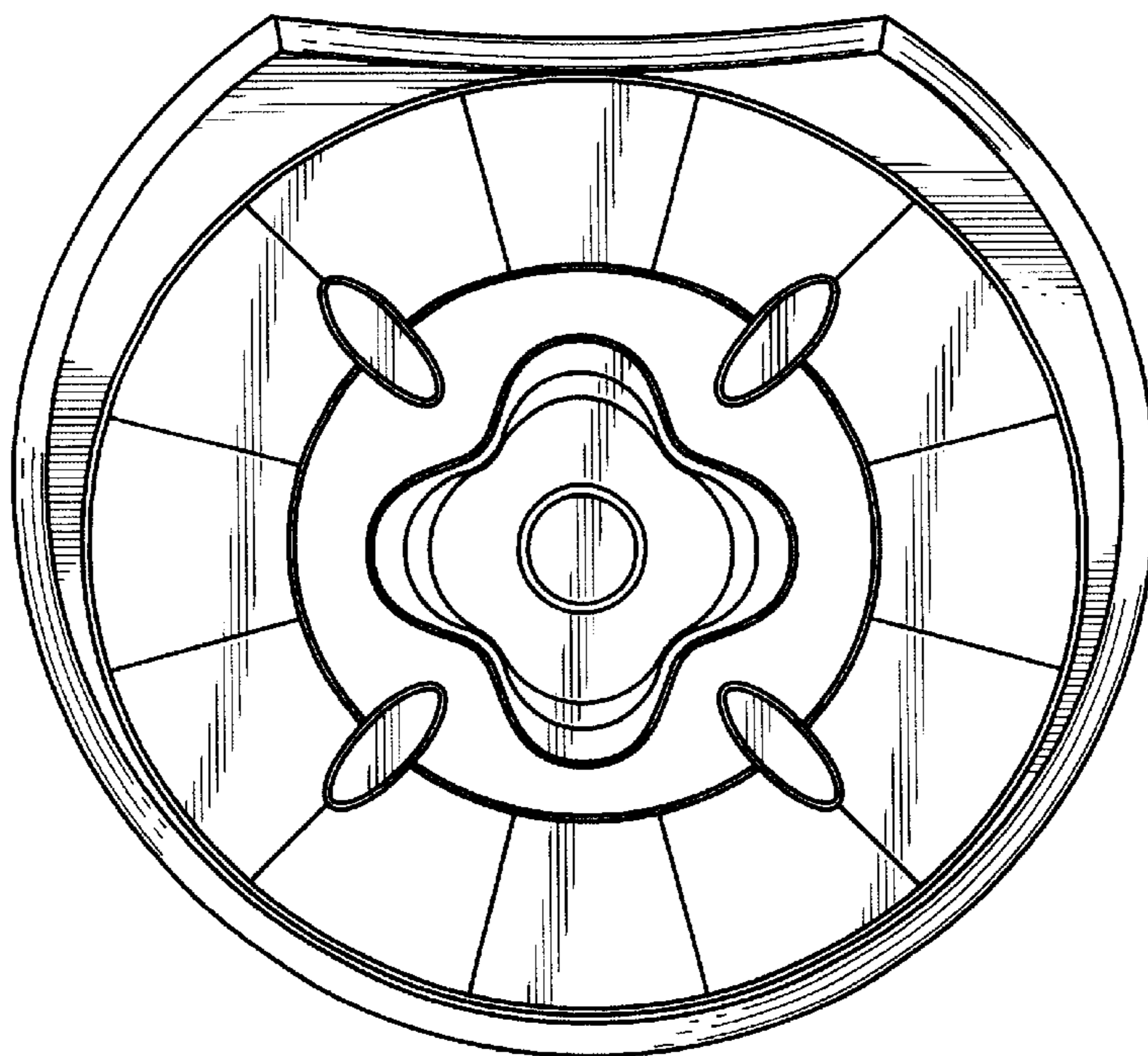


Fig. 2



Fig. 3



Fig. 5



Fig. 6

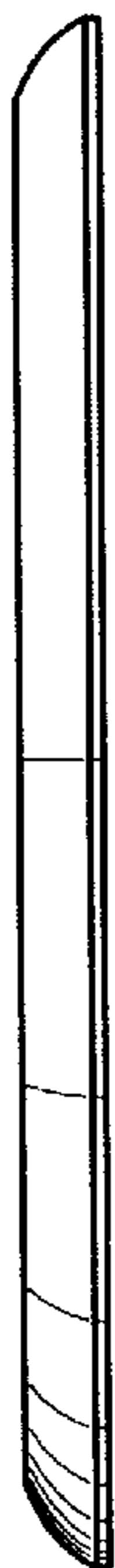


Fig. 4

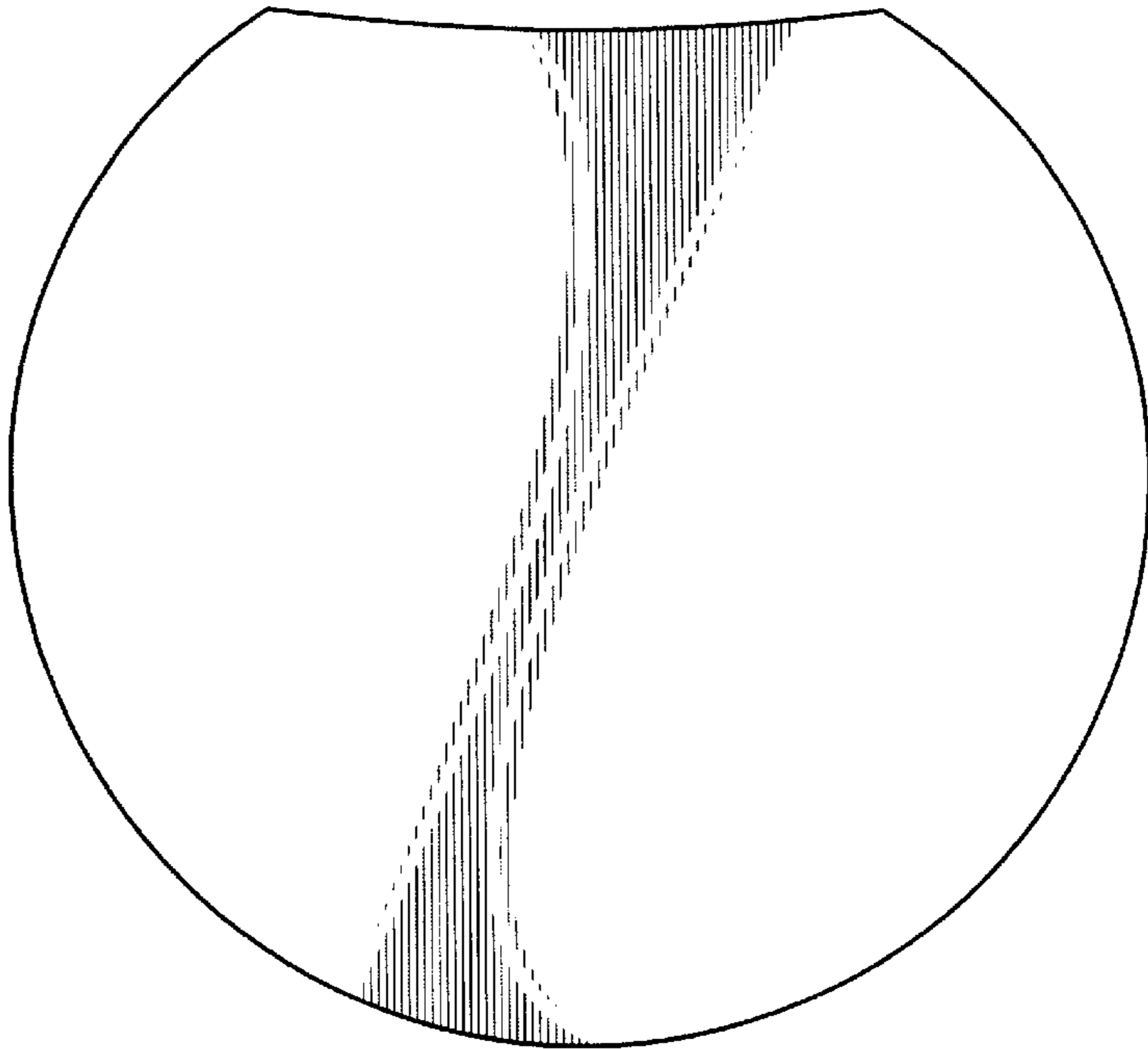


Fig. 7

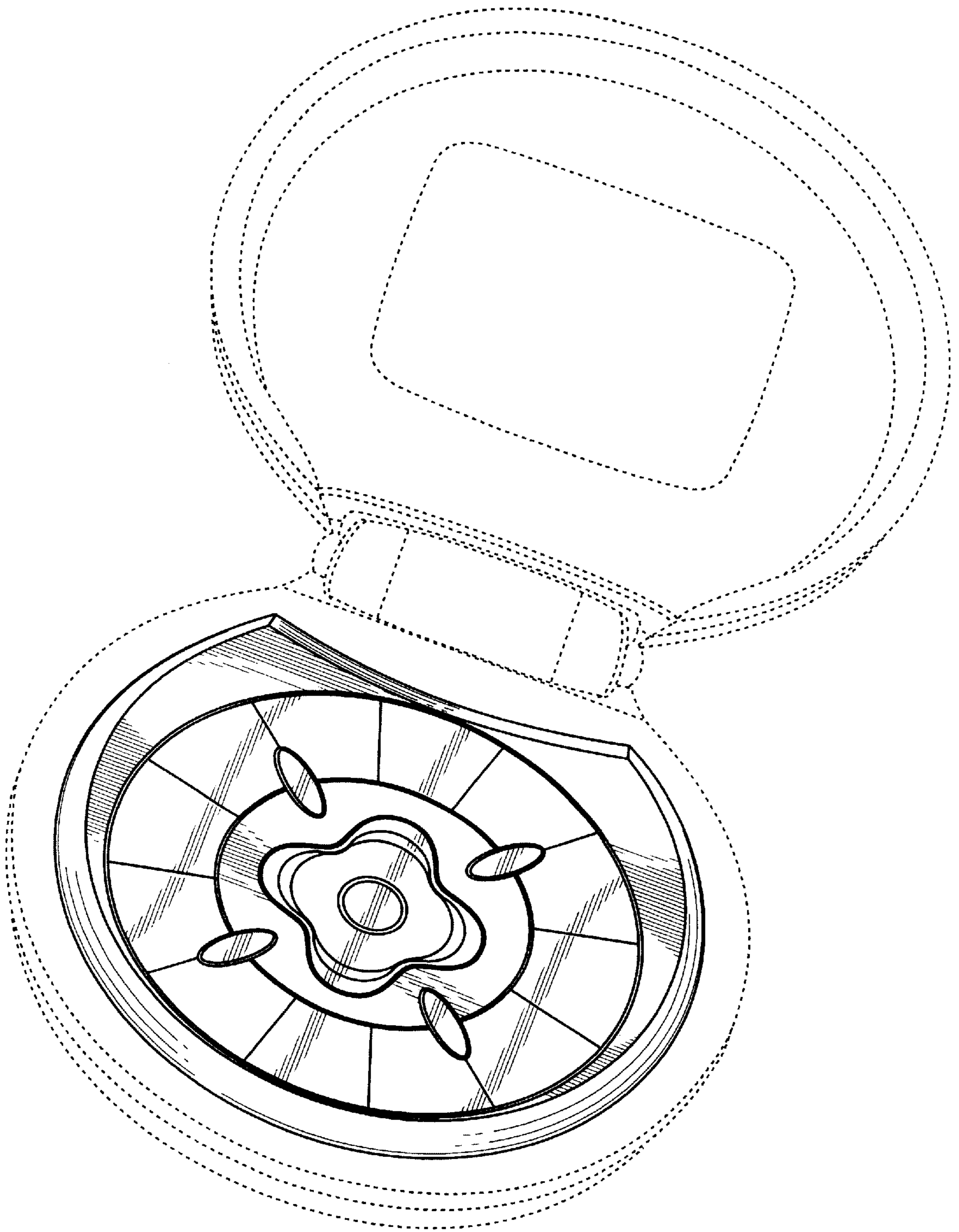


Fig. 8