



US00D487077S

(12) **United States Design Patent**  
**Obata**

(10) **Patent No.:** **US D487,077 S**

(45) **Date of Patent:** **\*\* Feb. 24, 2004**

(54) **EARPHONE**

(75) **Inventor:** **Shinichi Obata**, Tokyo (JP)

(73) **Assignee:** **Sony Corporation**, Tokyo (JP)

(\*\*) **Term:** **14 Years**

(21) **Appl. No.:** **29/174,910**

(22) **Filed:** **Jan. 28, 2003**

(51) **LOC (7) Cl.** ..... **14-01**

(52) **U.S. Cl.** ..... **D14/223**

(58) **Field of Search** ..... D14/192, 205,  
D14/206, 223, 249; D24/174; 181/129,  
130, 135, 137; 379/430; 381/381

(56) **References Cited**

**U.S. PATENT DOCUMENTS**

4,720,857	A	*	1/1988	Burris et al.	.....	379/430
4,981,194	A	*	1/1991	Kamon et al.	.....	181/129
5,048,092	A	*	9/1991	Yamagishi et al.	.....	381/380 X
D337,118	S	*	7/1993	Seikita	.....	D14/223
D337,589	S	*	7/1993	Wada	.....	D14/223
D353,379	S	*	12/1994	Nakamura et al.	.....	D14/223
D357,921	S	*	5/1995	Ming-Chin	.....	D14/223
D369,349	S	*	4/1996	Hayashi	.....	D14/223
D402,661	S	*	12/1998	Hayashi	.....	D14/223

D431,553	S		10/2000	Suzuki		
D463,789	S	*	10/2002	DeKalb et al.	.....	D14/223
D474,171	S	*	5/2003	Suzuki	.....	D14/206

**OTHER PUBLICATIONS**

Catalog "SONY Value up," p. 9, Sony (Jan. 2002).  
Catalog "Panasonic Dockin style CD," p. 13, Matsushita (Sep. 2002).

\* cited by examiner

*Primary Examiner*—Paula A. Mortimer

(74) *Attorney, Agent, or Firm*—Rader, Fishman & Grauer PLLC

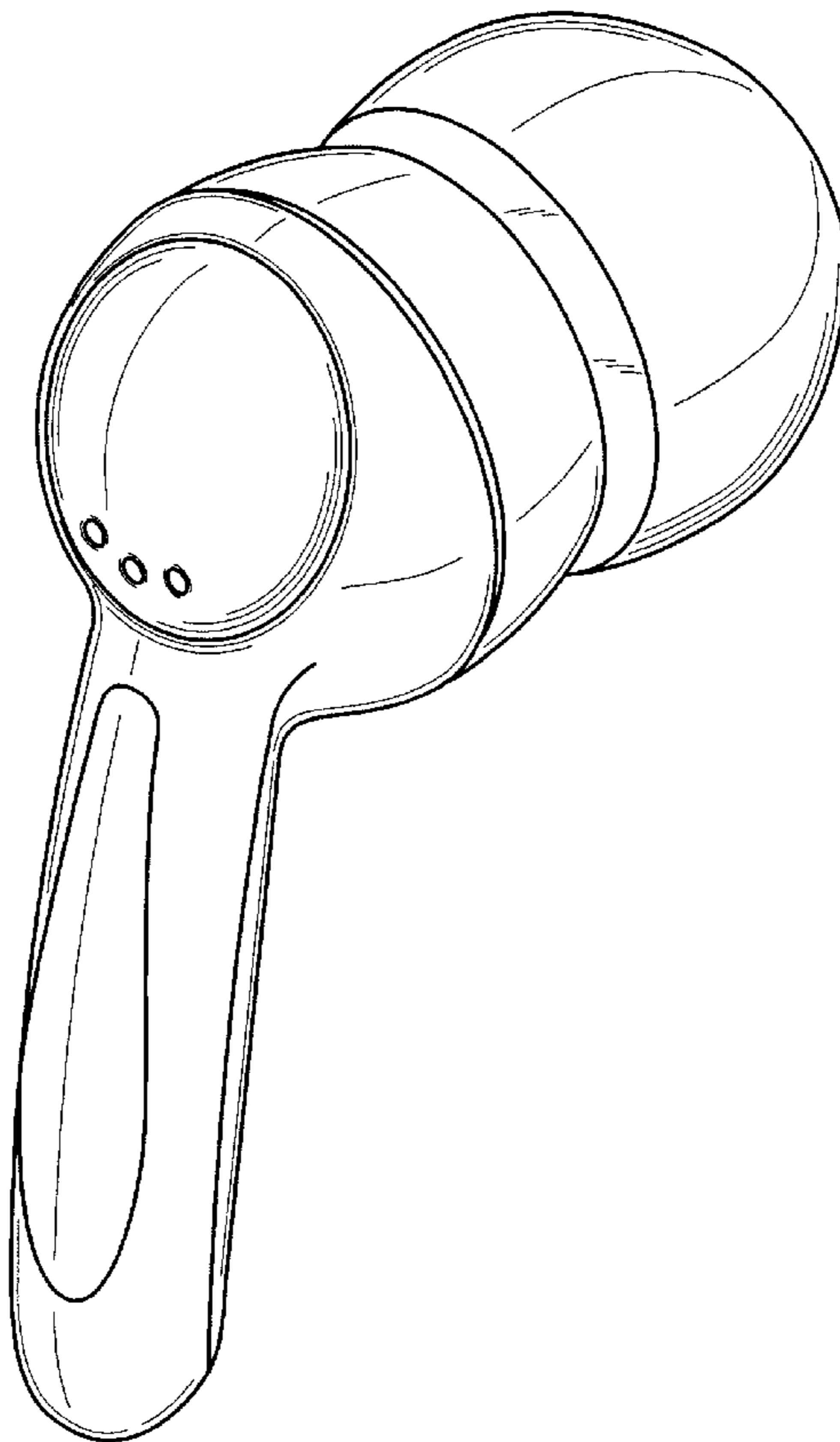
(57) **CLAIM**

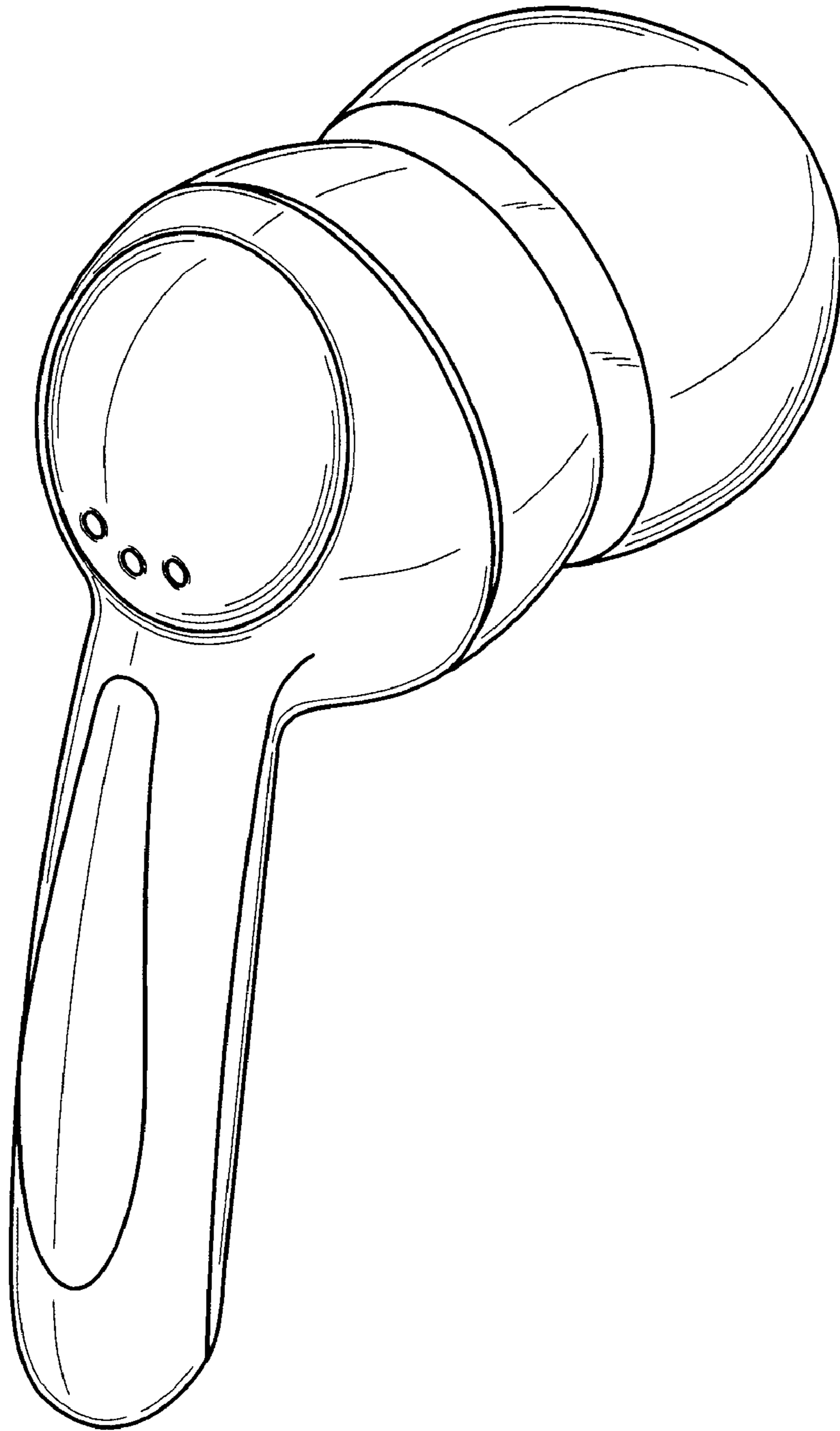
The ornamental design for an earphone, as shown.

**DESCRIPTION**

FIG. 1 is a perspective view of an earphone showing my new design;  
FIG. 2 is a front elevational view thereof;  
FIG. 3 is a rear elevational view thereof;  
FIG. 4 is a left side elevational view thereof;  
FIG. 5 is a right side elevational view thereof;  
FIG. 6 is a top plan view thereof; and,  
FIG. 7 is a bottom plan view thereof.

**1 Claim, 4 Drawing Sheets**





*FIG. 1*

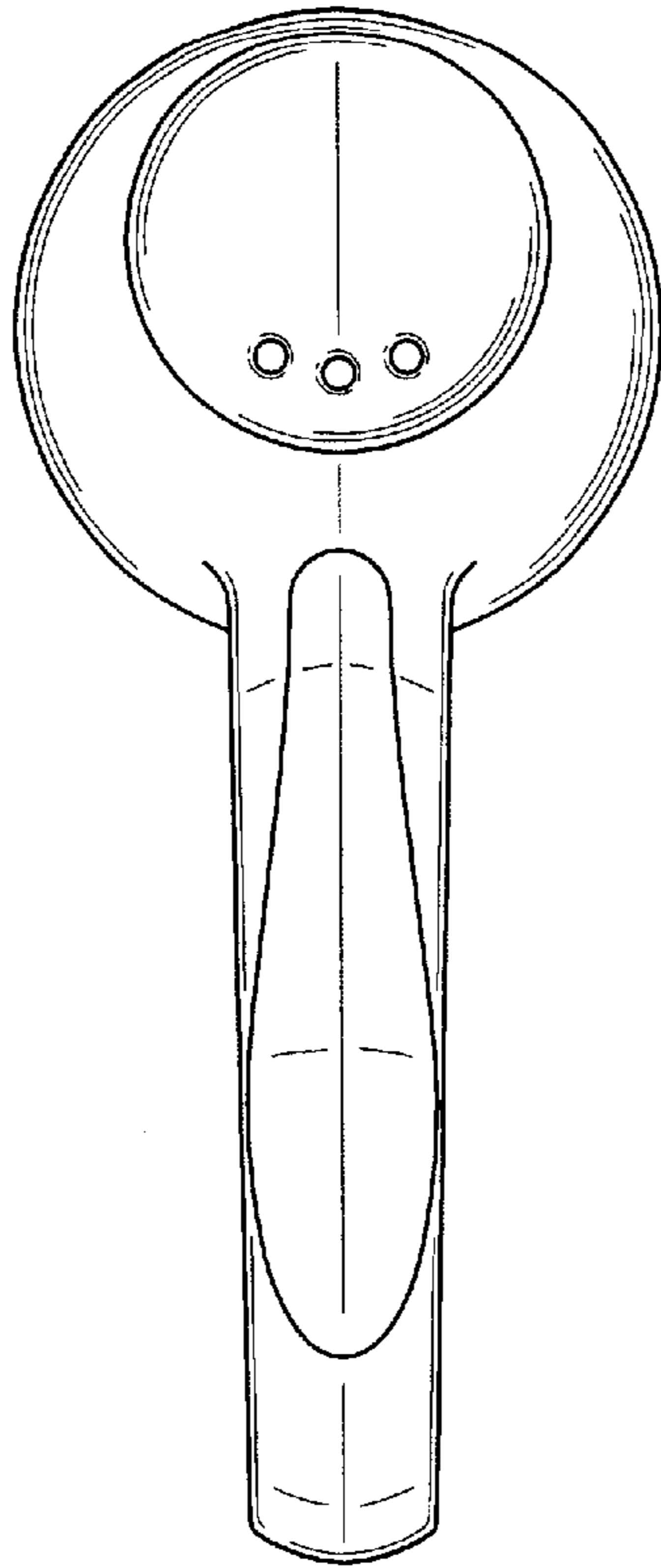


FIG. 2

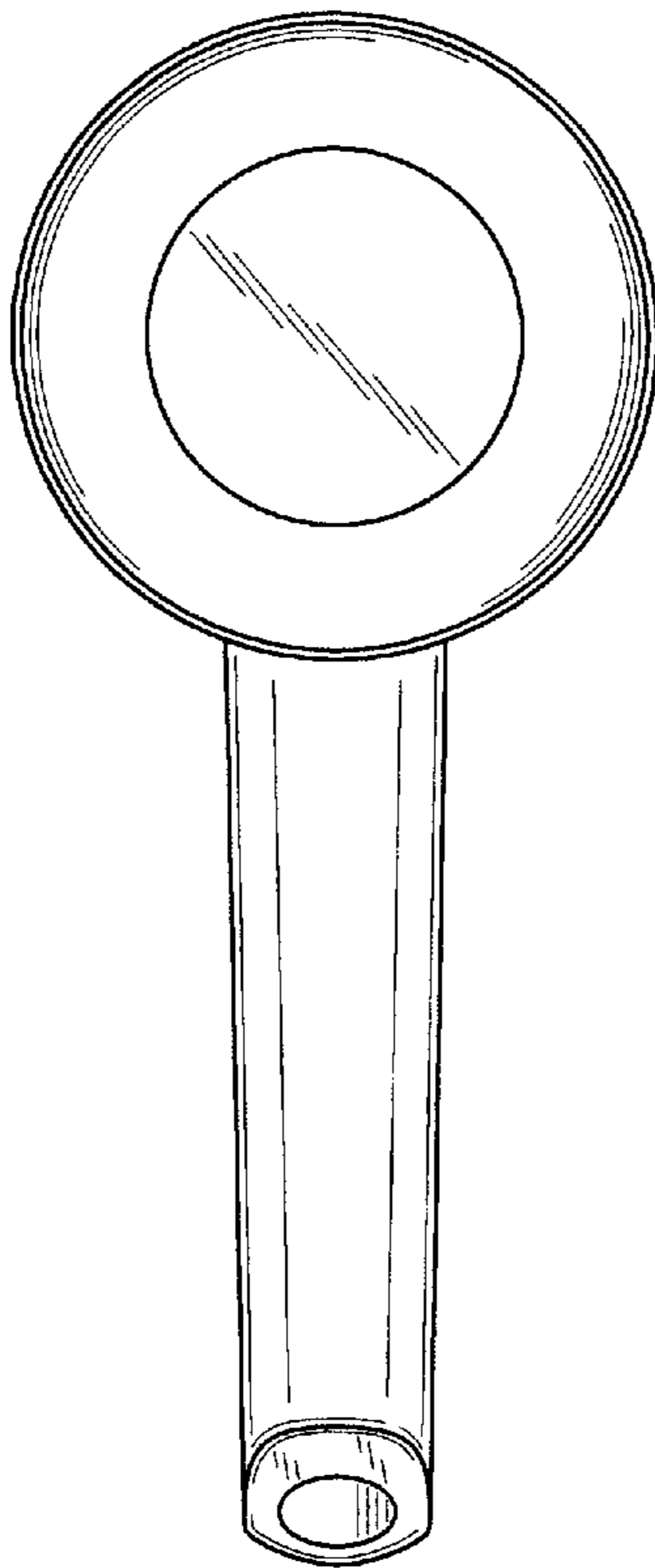


FIG. 3

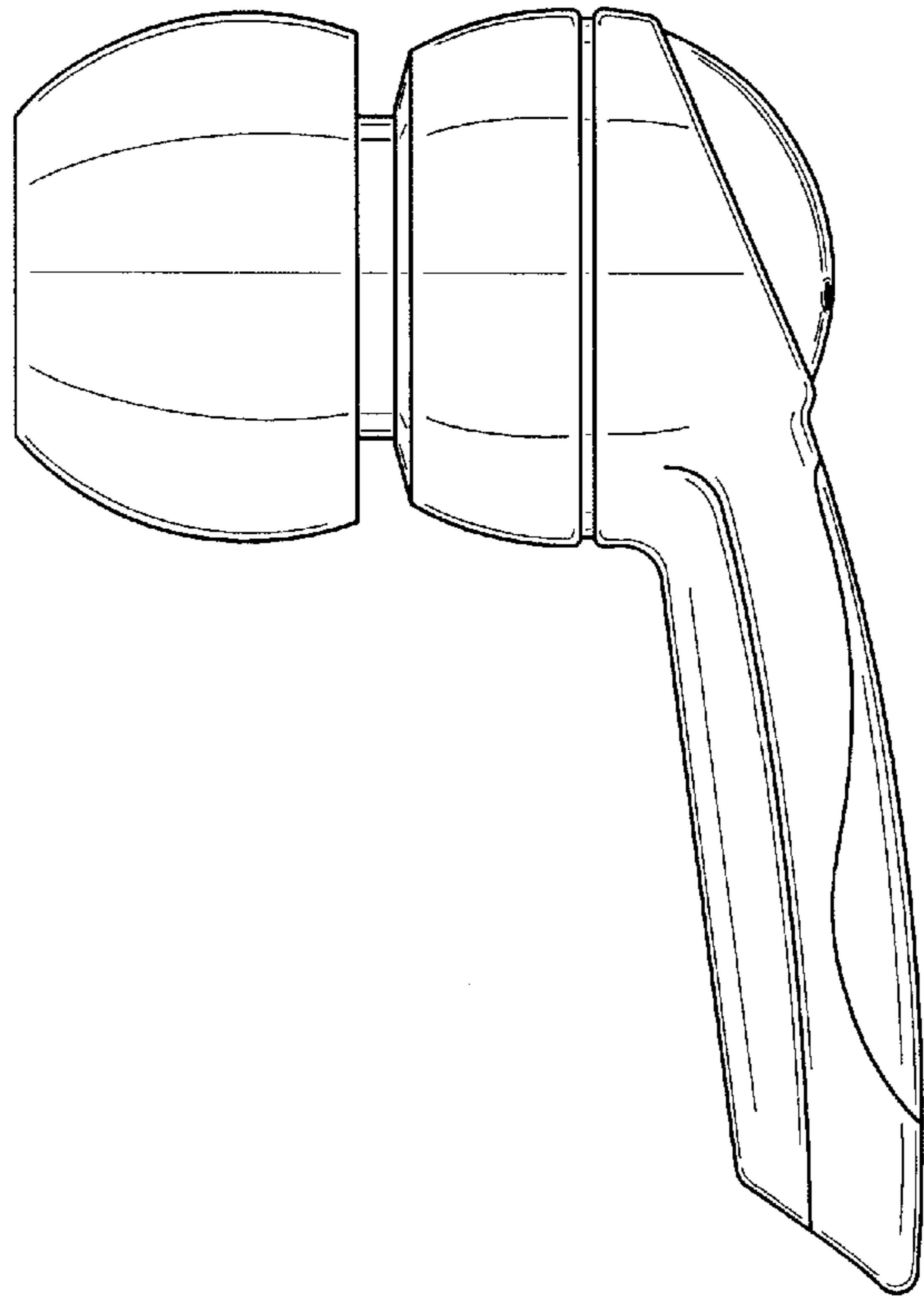


FIG. 4

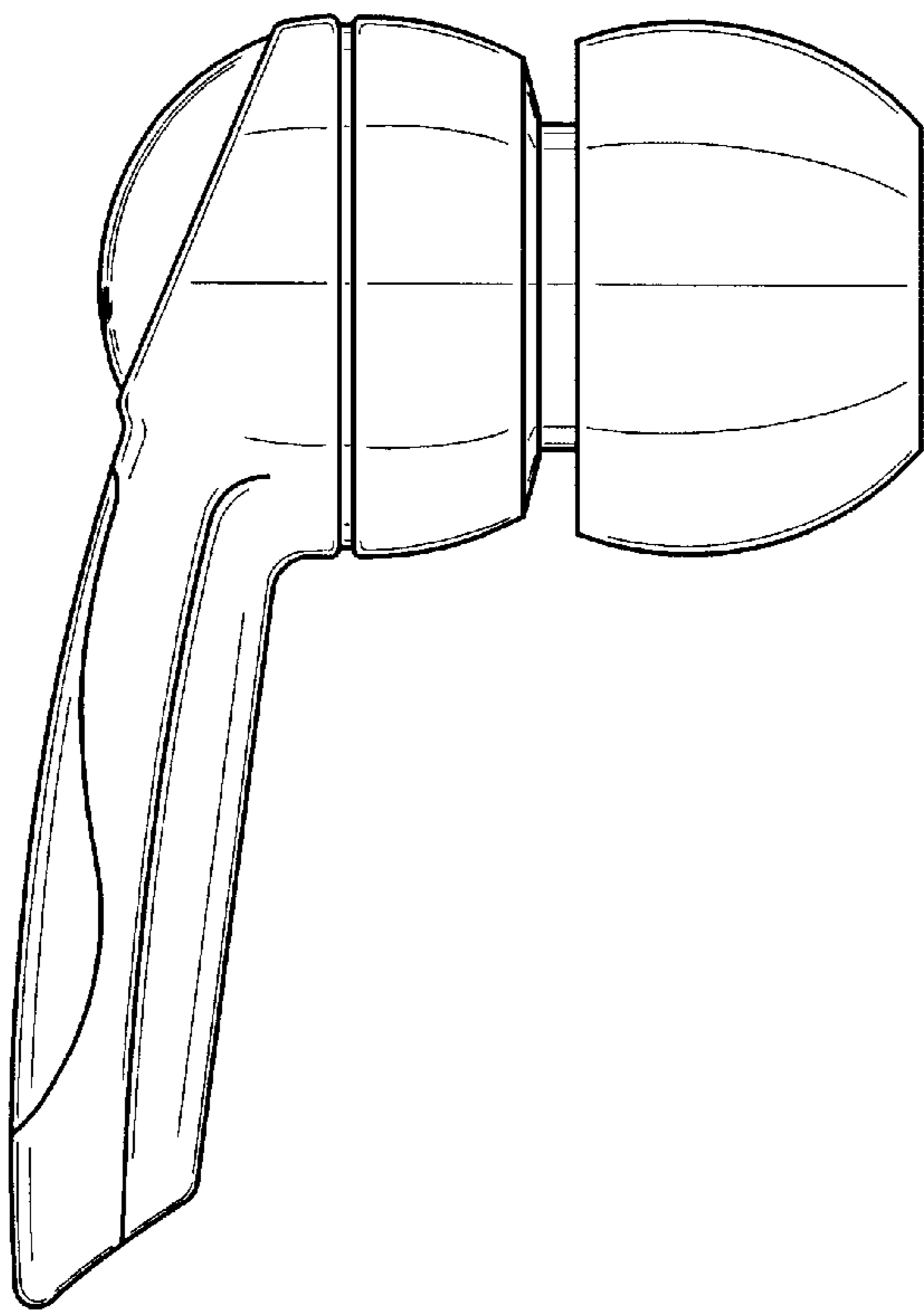


FIG. 5

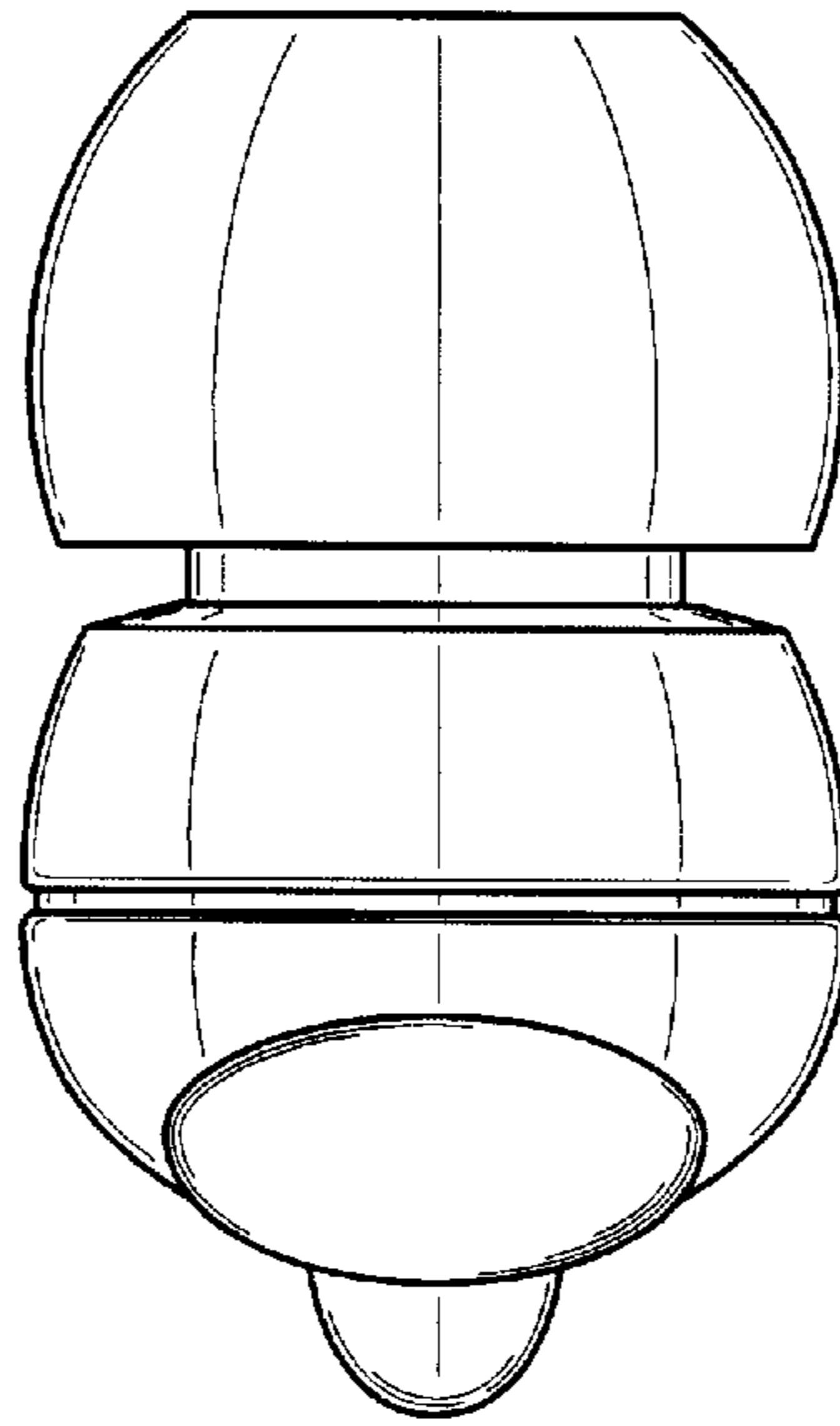


FIG. 6

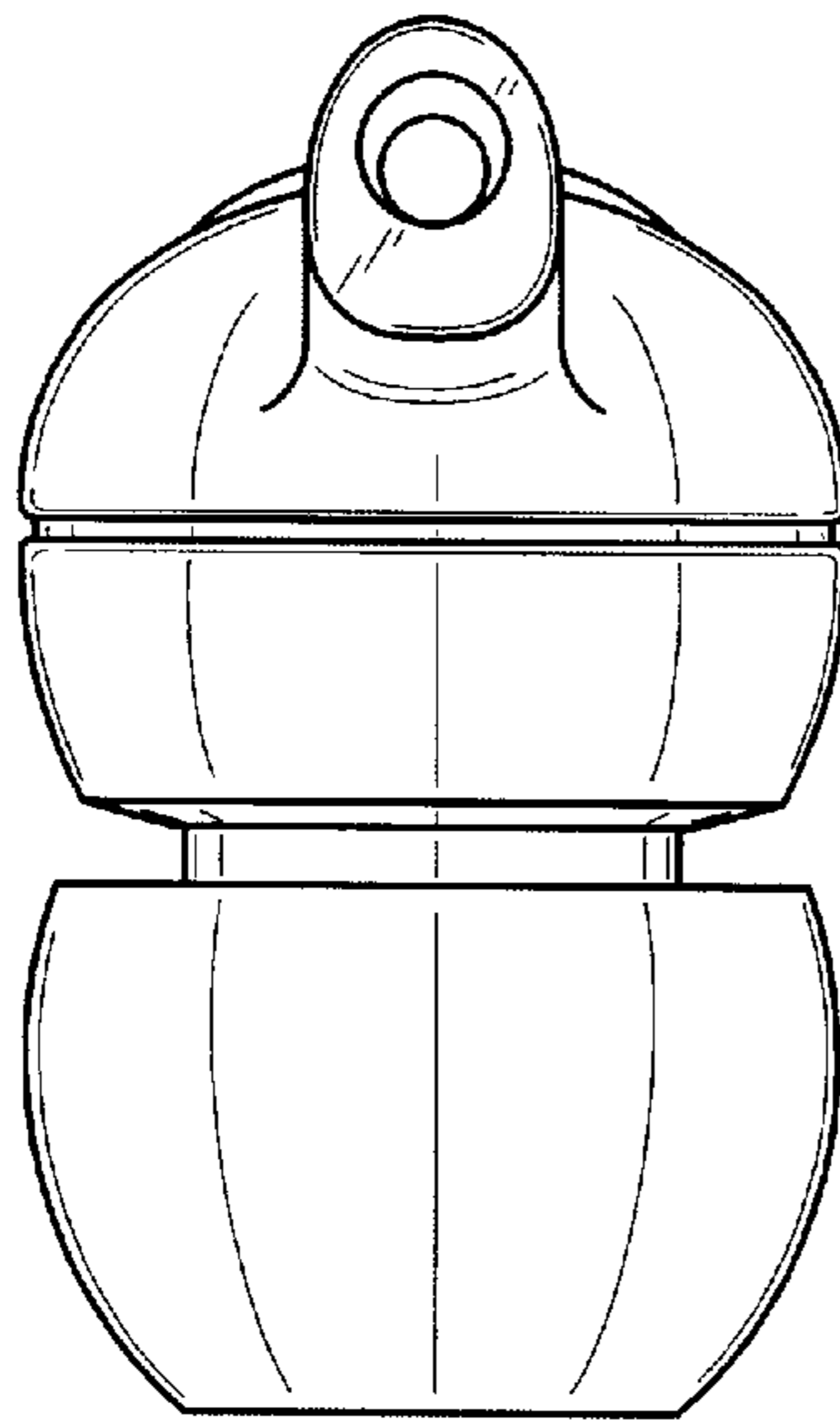


FIG. 7