



US00D487075S

(12) **United States Design Patent**
Dayan

(10) **Patent No.:** **US D487,075 S**

(45) **Date of Patent:** **** Feb. 24, 2004**

(54) **CYLINDRICAL ROTATING SPEAKER**

(75) Inventor: **Mervin A. Dayan**, Oakhurst, NJ (US)

(73) Assignee: **Roadmaster (USA) Corp.**, Eatontown, NJ (US)

(**) Term: **14 Years**

(21) Appl. No.: **29/176,549**

(22) Filed: **Feb. 24, 2003**

(51) **LOC (7) Cl.** **14-01**

(52) **U.S. Cl.** **D14/216**

(58) **Field of Search** D14/204, 207,
D14/209-216, 356; 181/143-145, 147-148,
150, 153, 157, 198-199; 381/300-302,
306, 333, 345, 361-364, 386-388

(56) **References Cited**

U.S. PATENT DOCUMENTS

D220,629 S	*	5/1971	Shimizu	D14/214
D265,902 S	*	8/1982	Eberbach	D14/212
4,757,544 A	*	7/1988	Guy	381/387
4,932,060 A		6/1990	Schreiber		
5,319,164 A	*	6/1994	Shen	181/150
5,714,721 A		2/1998	Gawronski et al.		
D402,660 S	*	12/1998	Swansey	D14/216
5,917,923 A		6/1999	Caron et al.		
D429,235 S		8/2000	Genatossio et al.		
D435,540 S	*	12/2000	Peng	D14/216

OTHER PUBLICATIONS

New Age 7 Swiveling Speakers and Subwoofer—Surround Amp System <http://www.astuteadvance.com/newage7swivs.html> (Apr. 14, 2003).

Bose Acoustimass® 16 Home Entertainment Speaker System http://www.bose.com/home_audio/ht_speakers/am16 (Apr. 29, 2003).

Bose Acoustimass® 15 Home Series II Home Entertainment Speaker System http://www.bose.com/home_audio/ht_speakers/am15 (Apr. 29, 2003).

35 Watt Subwoofer Speakers (QX-SW32) <http://shop.store.yahoo.com/webtronics/qx-sw32.html> (Feb. 10, 2003).

Bose Lifestyle 5 Series III Music System, undated.

RCA® 50-Watt 2-Way Swivel Speakers; <http://www.radioshack.com/product.asp?catalog%5Fname=CTLG&category%5Fname=CT...> (Apr. 29, 2003).

Sound City Catalog (now playing everywhere), p. 2, undated.

Sound City Catalog (Selection, Price and Expert Advice!), p. 49, undated.

Sound City, Omnimount 5.0; http://www.soundcity.com/product.php?id1=&product_id=12468 (Apr. 29, 2003).

Sound City, Omnimount AB1; http://www.soundcity.com/product.php?id1=product_id=1008 (Apr. 29, 2003).

* cited by examiner

Primary Examiner—Nanda Bondade

(74) *Attorney, Agent, or Firm*—Wolf, Block, Schorr and Solis-Cohen LLP; Robert F. Zielinski, Esq.; Eric A. Dichter, Esq.

(57) **CLAIM**

The ornamental design for a cylindrical rotating speaker, as shown and described.

DESCRIPTION

FIG. 1 is a perspective view of a cylindrical rotating speaker showing my new design;

FIG. 2 is a front view thereof;

FIG. 3 is a rear view thereof;

FIG. 4 is a right side view thereof;

FIG. 5 is a left side view thereof;

FIG. 6 is a top view thereof;

FIG. 7 is a bottom view thereof;

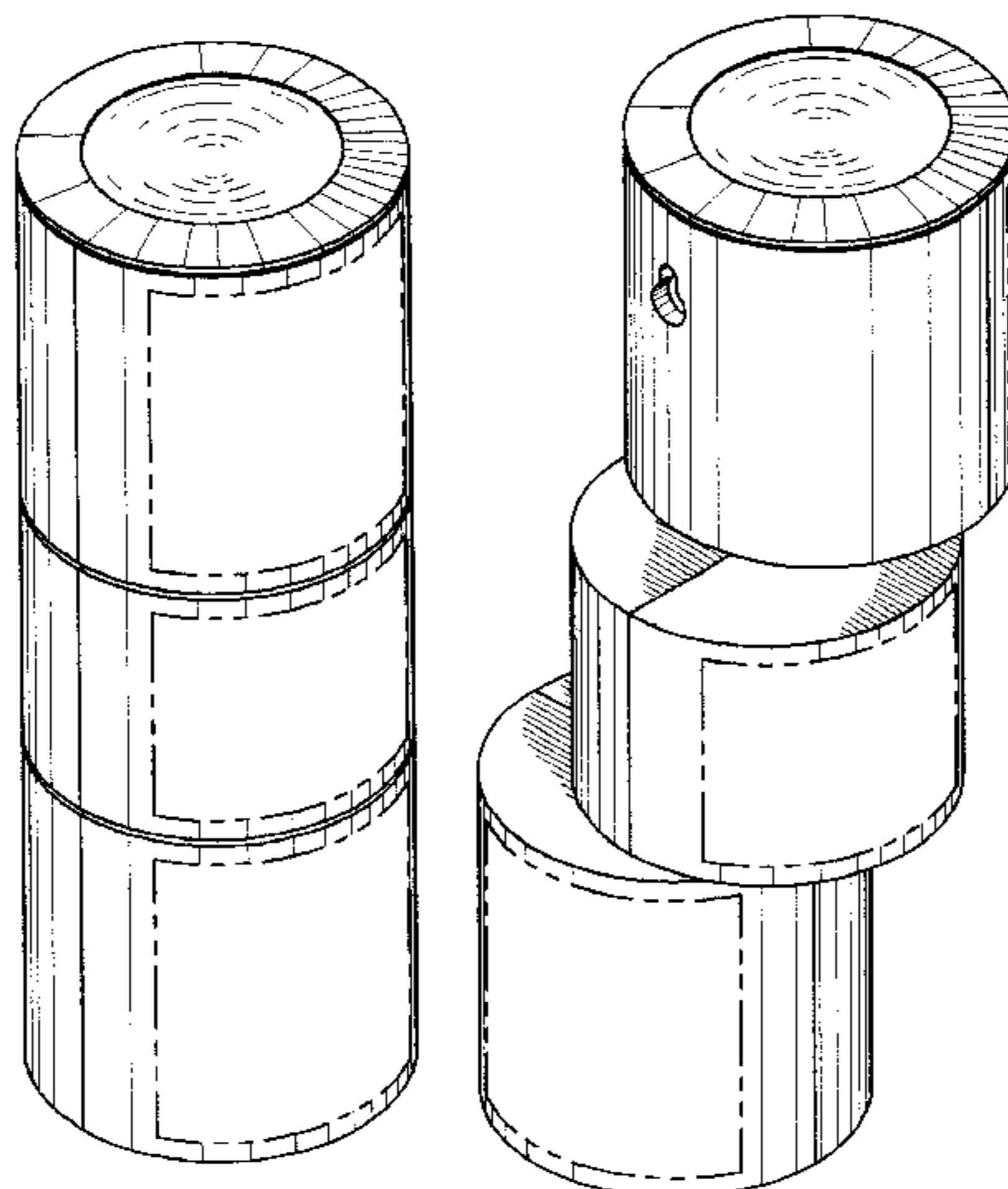
FIG. 8 is a perspective view thereof, showing rotation of the speaker;

FIG. 9 is a perspective view thereof, showing an alternate position of the rotation; and,

FIG. 10 is a perspective view thereof, showing another alternate position of the rotation.

The broken lines in the drawings are merely for illustrative purposes and do not form a part of the invention.

1 Claim, 7 Drawing Sheets



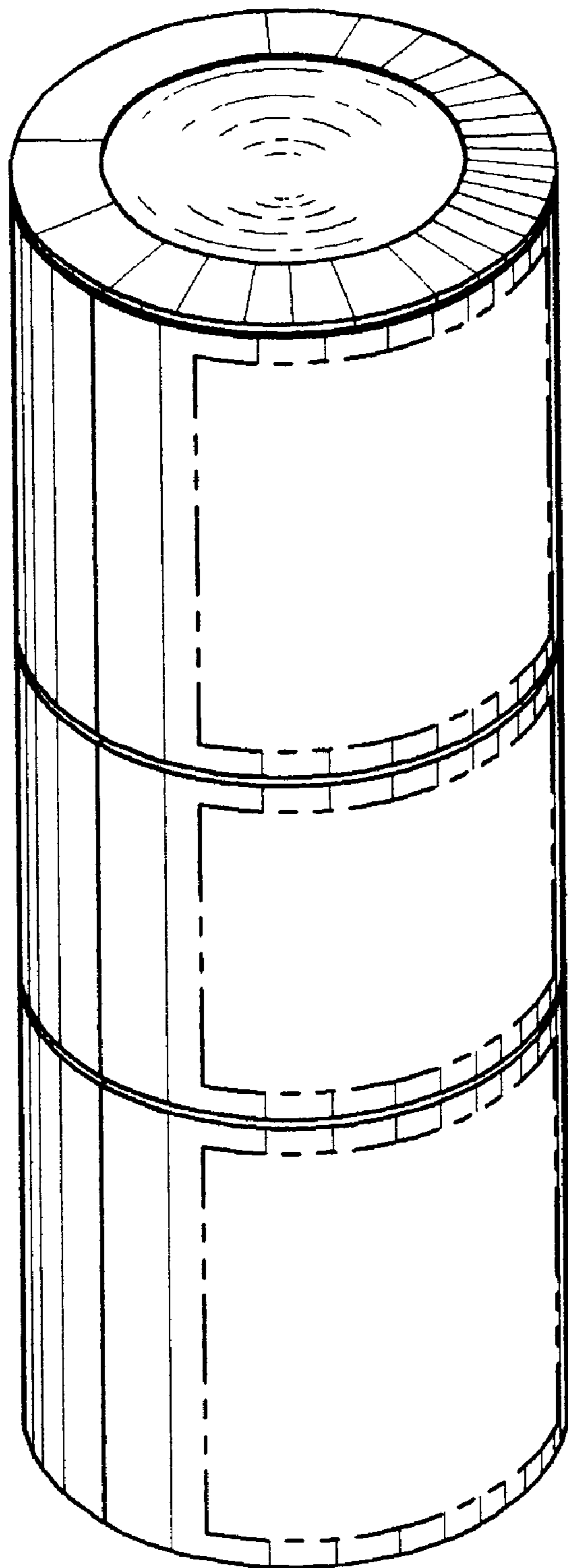


FIG. 1

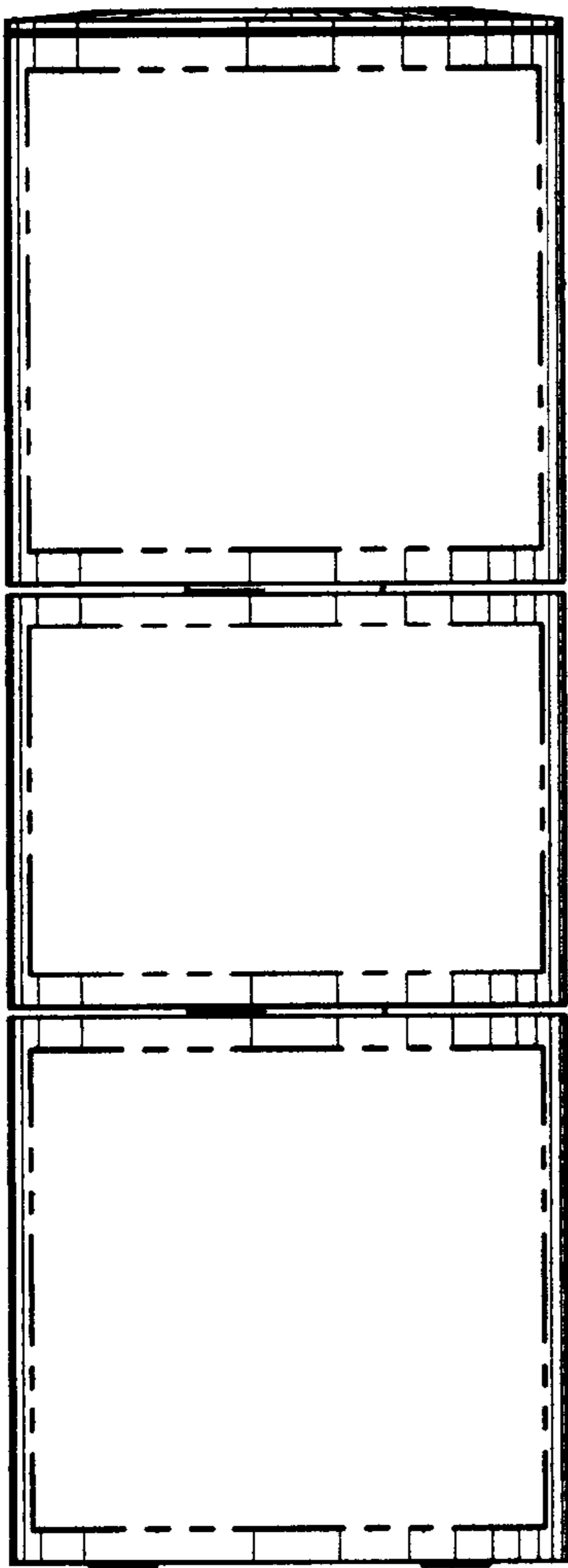


FIG. 2

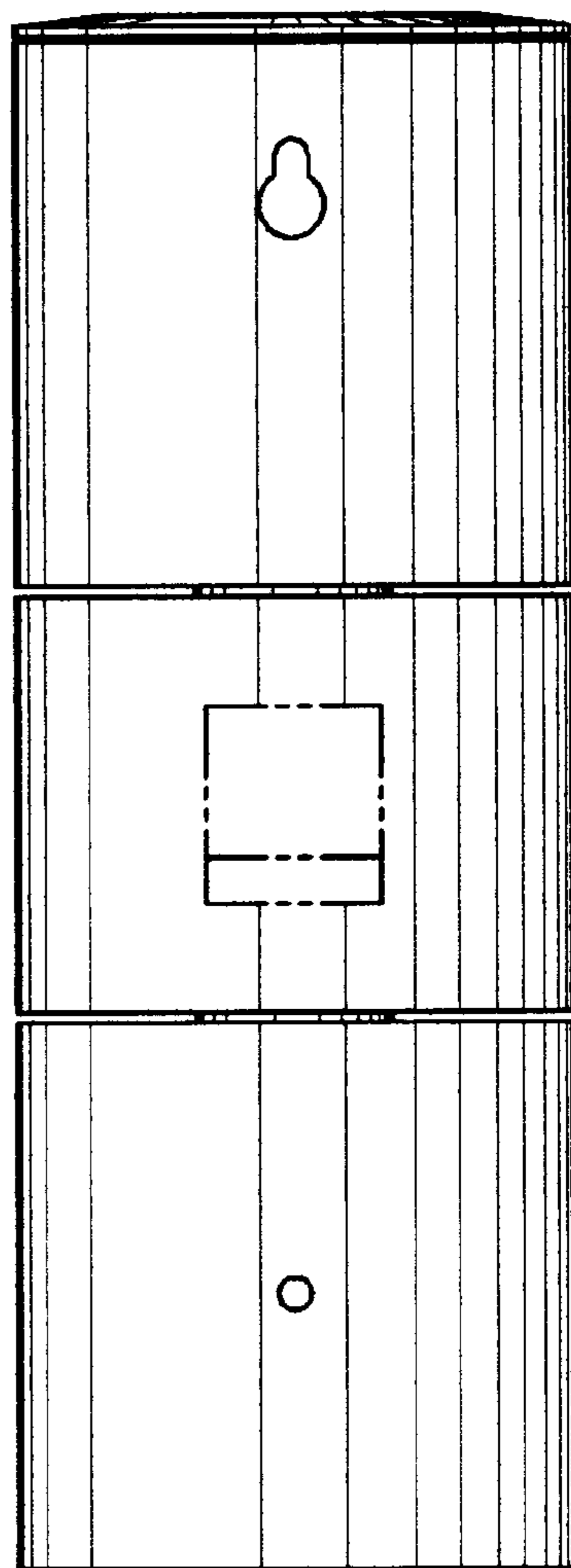


FIG. 3

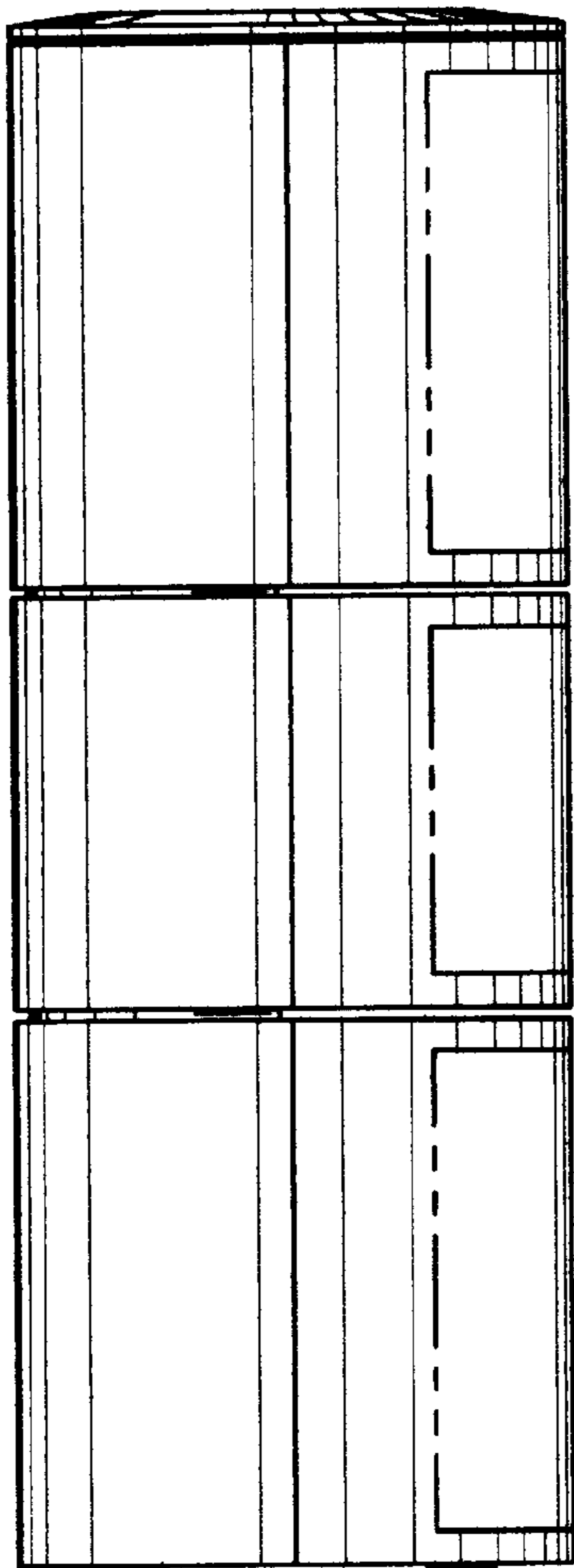


FIG. 4

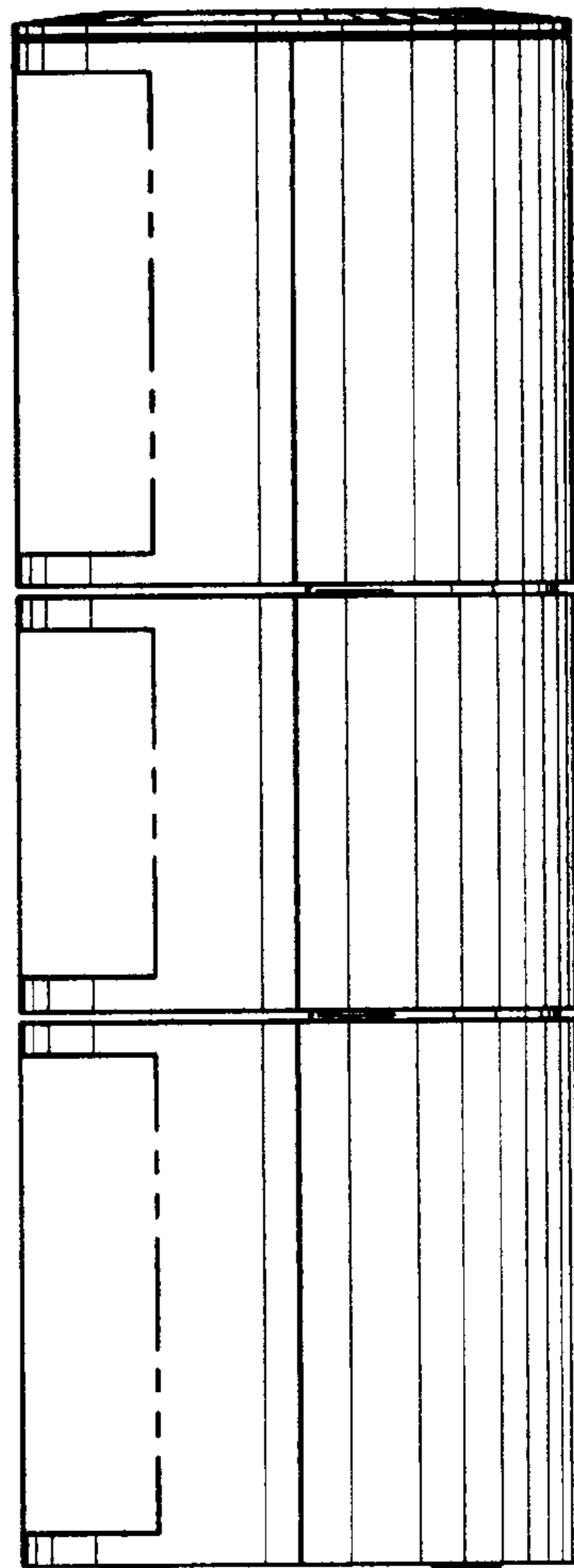


FIG. 5

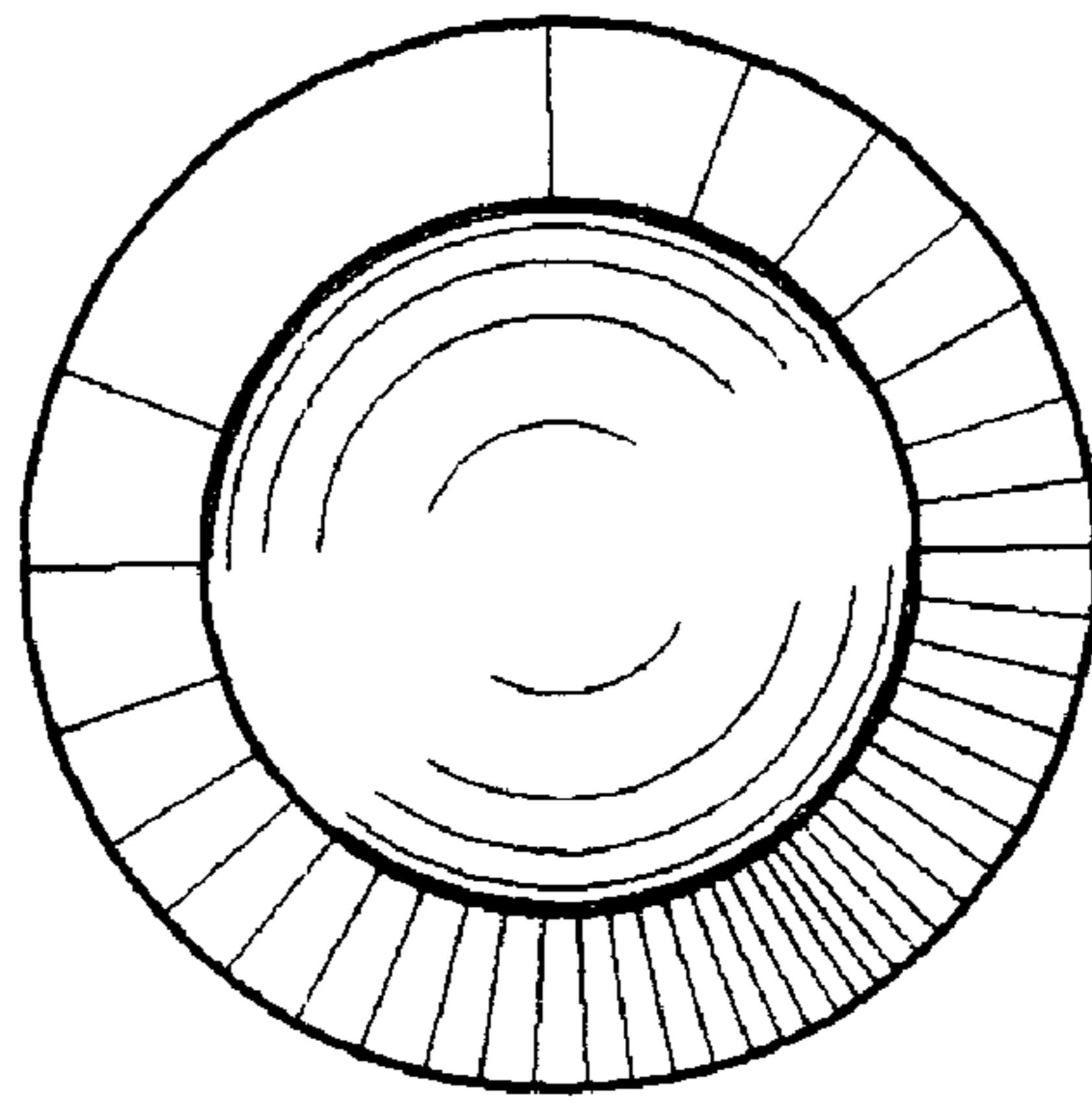


FIG. 6

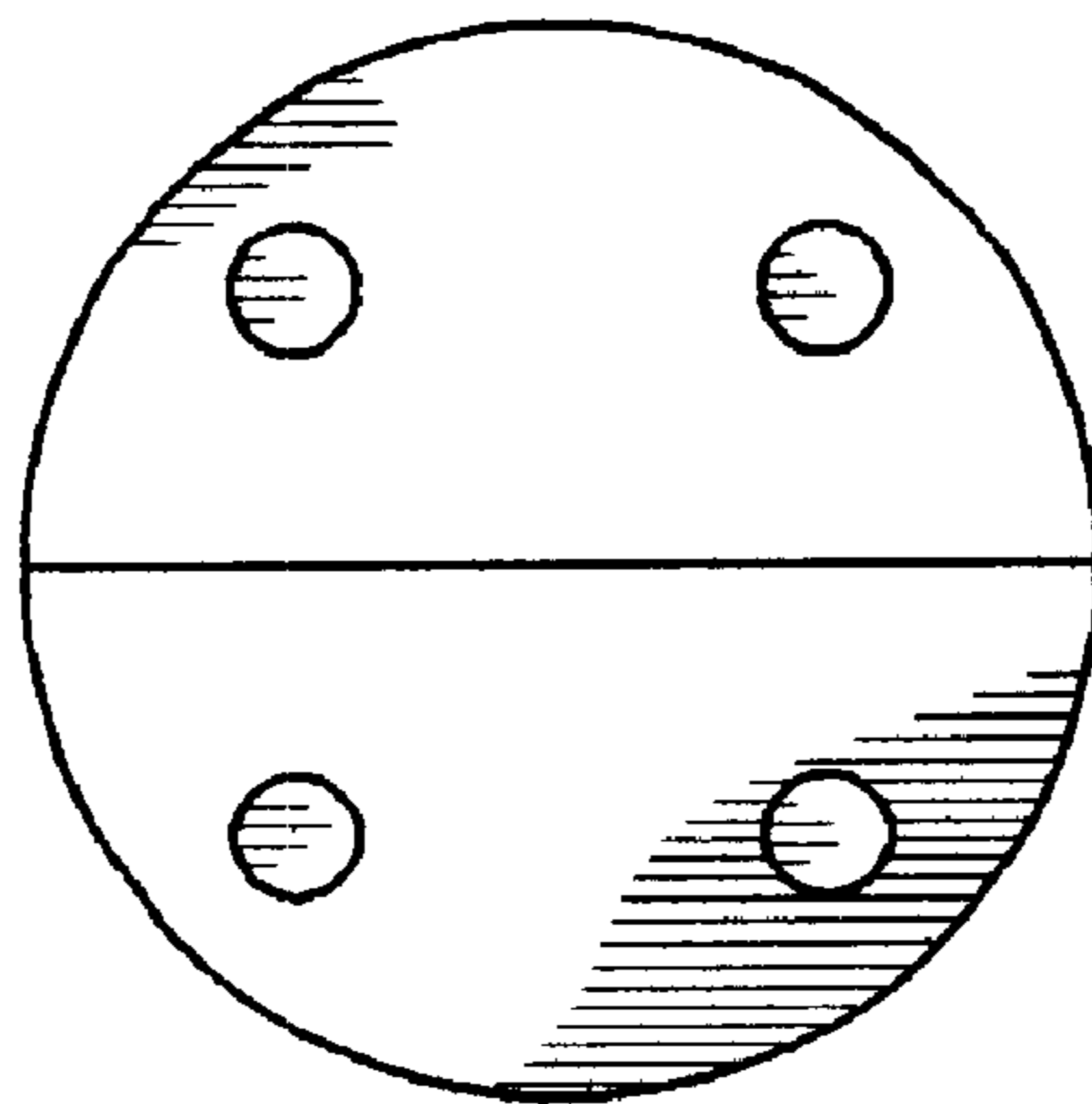


FIG. 7

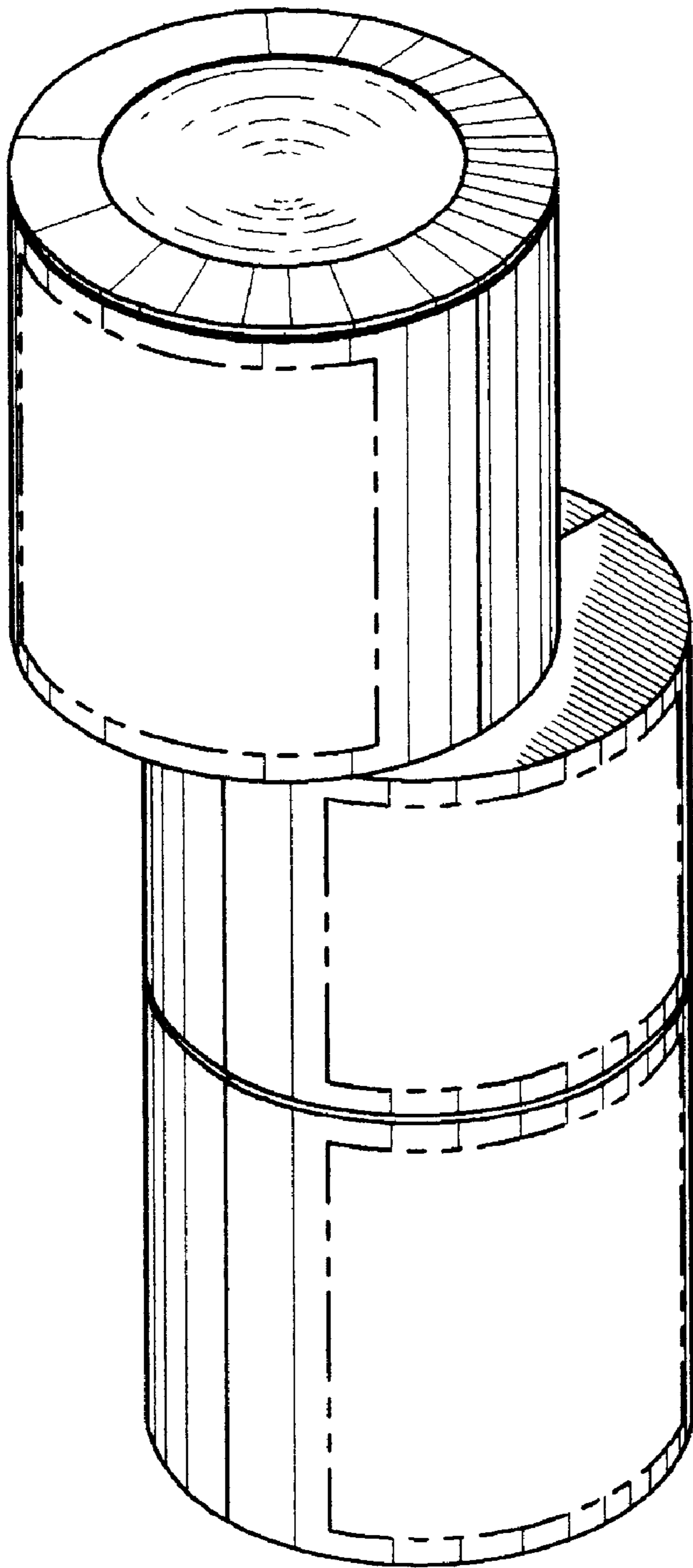


FIG. 8

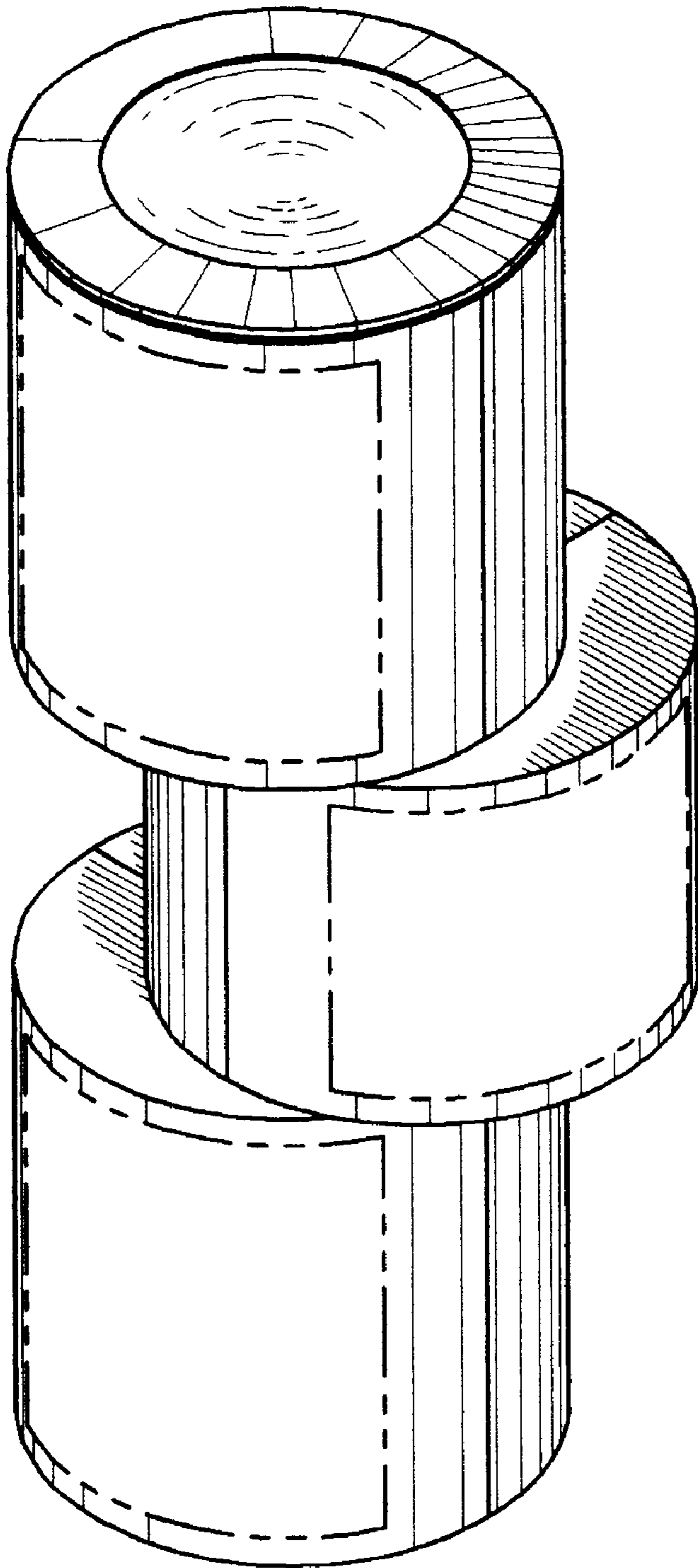


FIG. 9

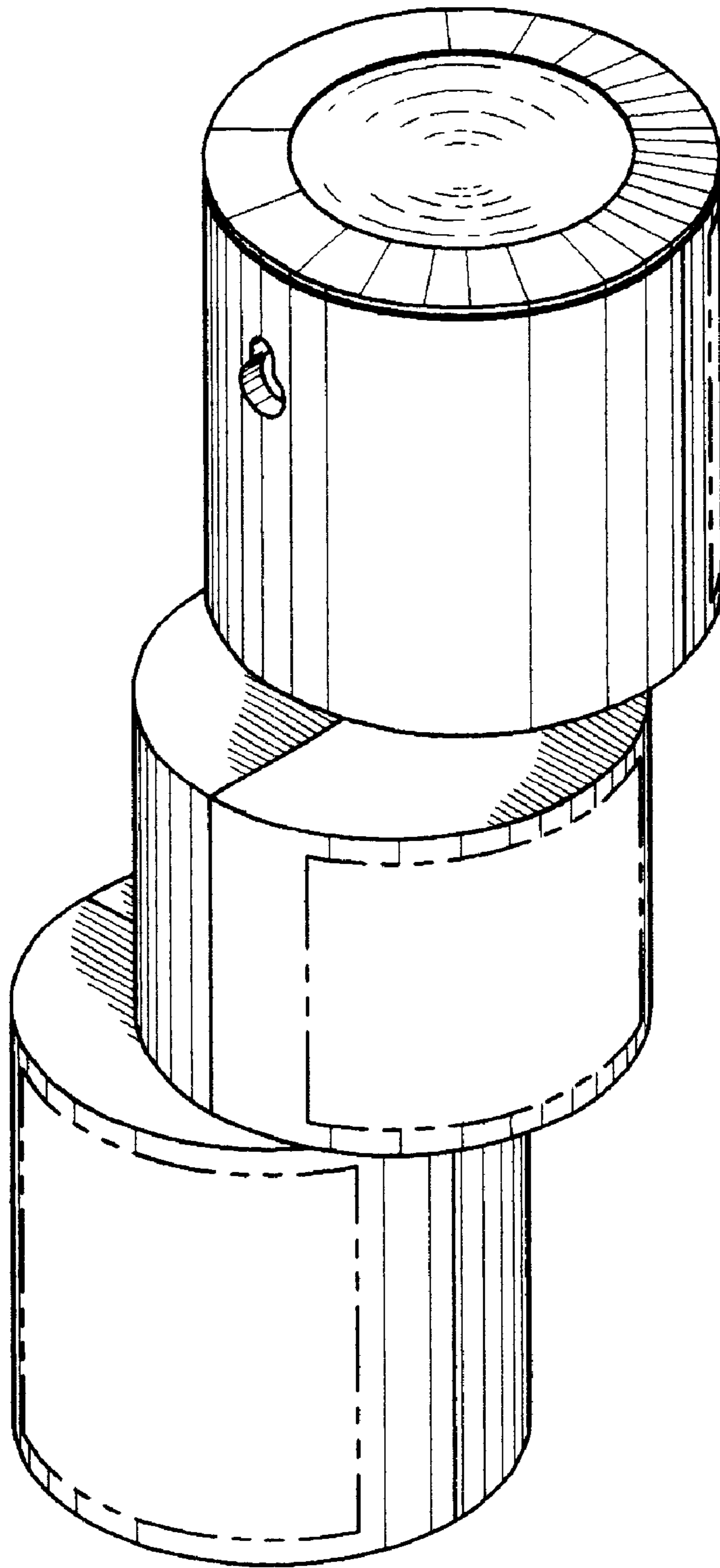


FIG. 10