



US00D487074S

(12) **United States Design Patent**
McGoldrick

(10) **Patent No.:** **US D487,074 S**

(45) **Date of Patent:** **** Feb. 24, 2004**

(54) **SPEECH TO TEXT TRANSLATION APPARATUS**

5,615,301 A * 3/1997 Rivers 704/277
D410,228 S * 5/1999 Jones D14/158
D415,154 S * 10/1999 White et al. D14/158

(76) Inventor: **Gerald C. McGoldrick**, 216 Ripka St., Philadelphia, PA (US) 19127

* cited by examiner

(**) Term: **14 Years**

Primary Examiner—Nanda Bondade

(21) Appl. No.: **29/172,487**

(57) **CLAIM**

(22) Filed: **Dec. 11, 2002**

The ornamental design for a speech to text translation apparatus, as shown and described.

(51) **LOC (7) Cl.** **14-99**

DESCRIPTION

(52) **U.S. Cl.** **D14/158**

(58) **Field of Search** D14/154, 158, D14/140, 240, 167, 299; D19/59, 60; 704/2-4, 235, 254, 257, 260, 270, 277

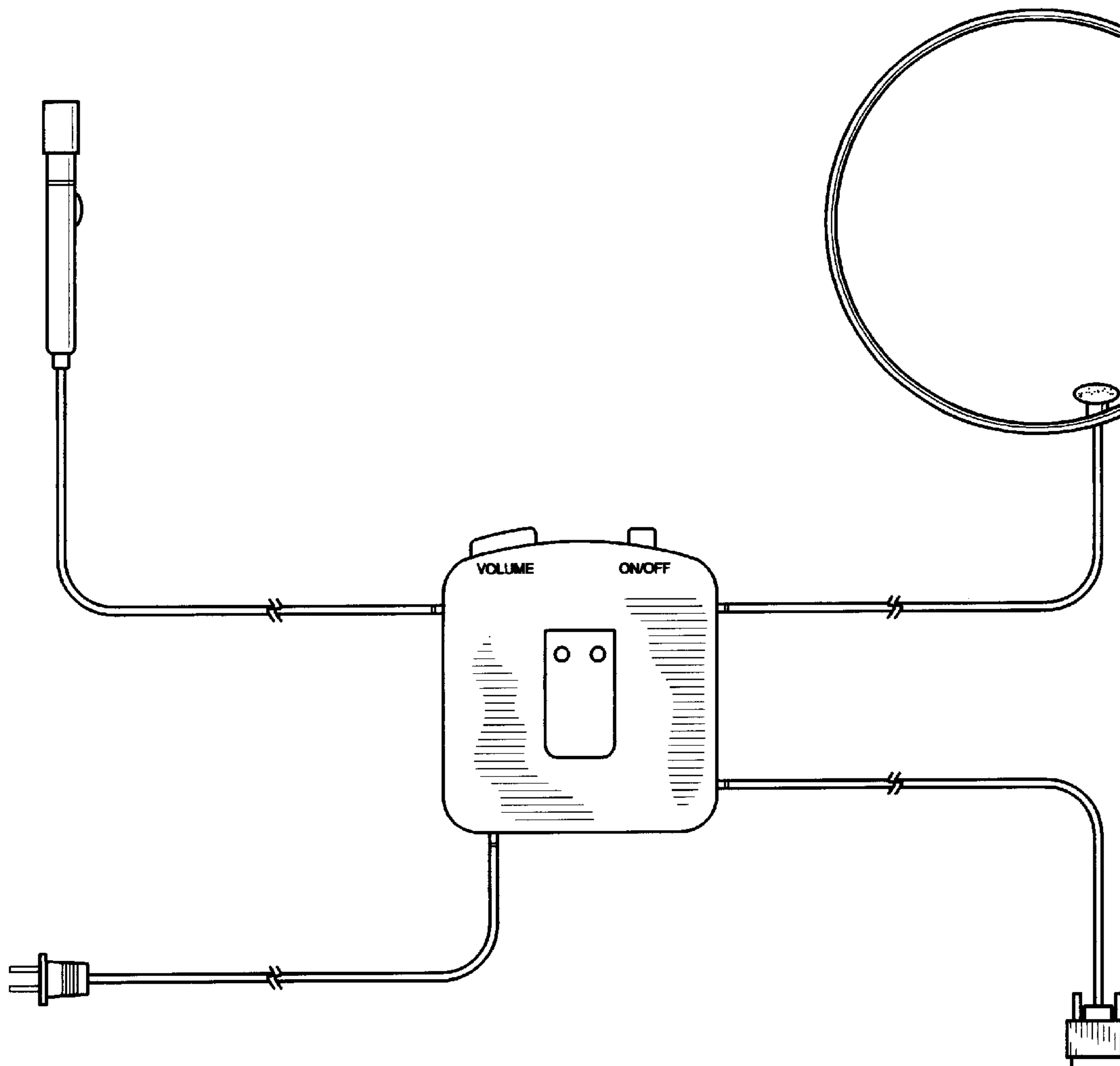
FIG. 1 is a front elevational view of a speech to text translation apparatus showing my new design;
FIG. 2 is a rear elevational view thereof;
FIG. 3 is a side view, taken from the left side of FIG. 1;
FIG. 4 is a side view, taken from the right side of FIG. 1;
FIG. 5 is a top plan view thereof; and,
FIG. 6 is a bottom plan view thereof.

(56) **References Cited**

U.S. PATENT DOCUMENTS

4,942,617 A * 7/1990 Boylan D14/240
D332,775 S * 1/1993 Cavanaugh D19/60

1 Claim, 4 Drawing Sheets



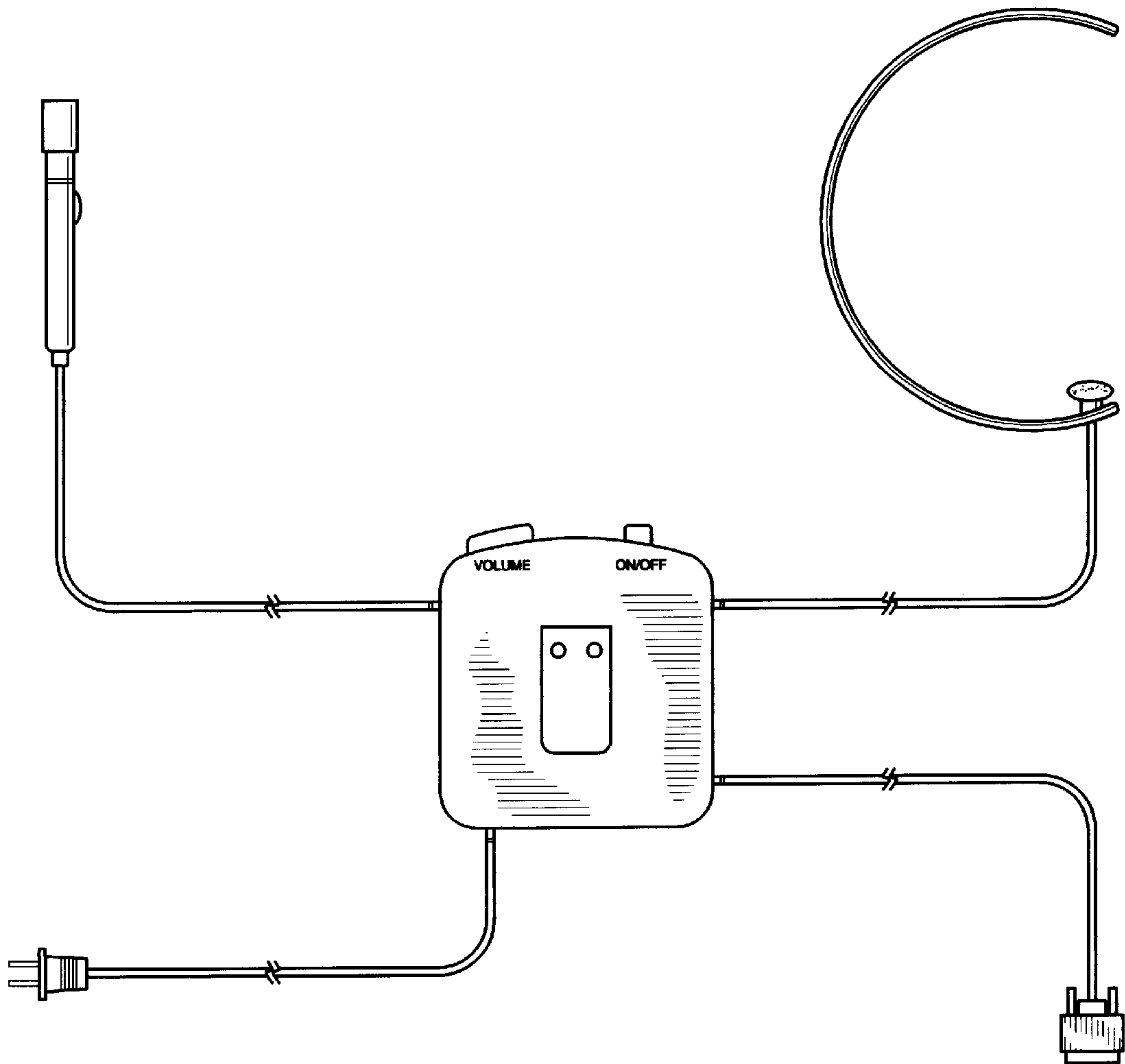


FIG.1

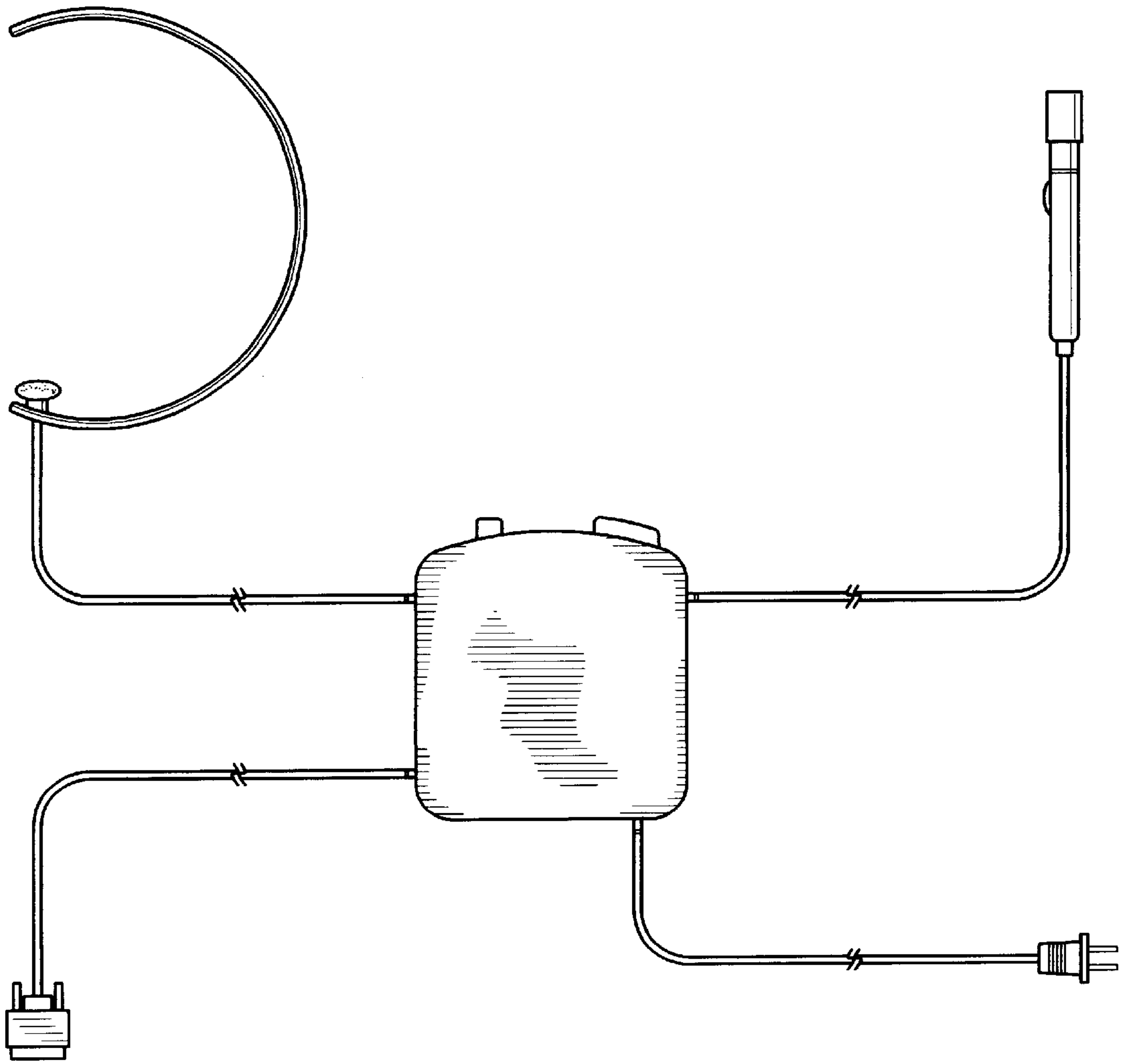


FIG.2

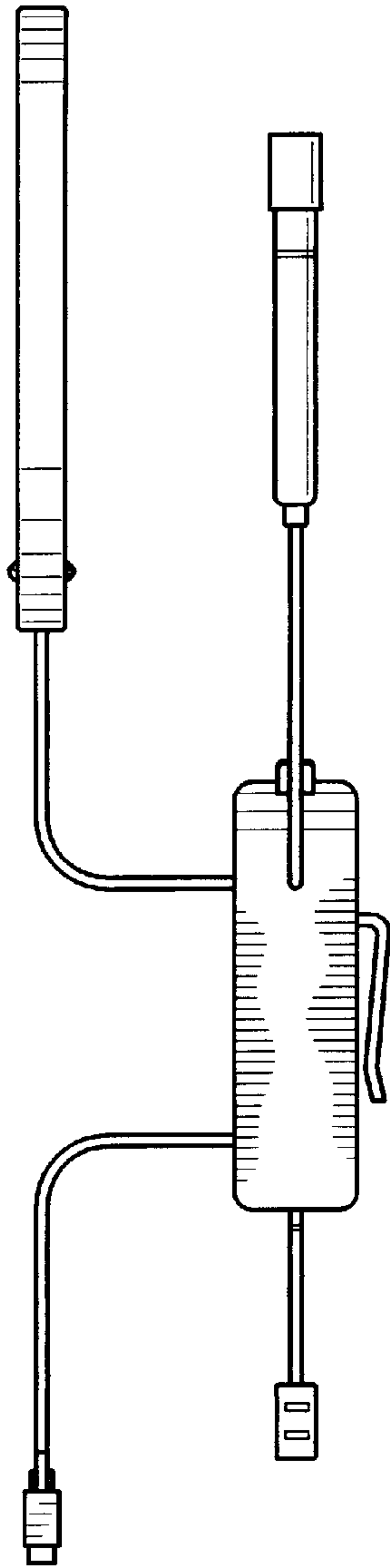


FIG. 3

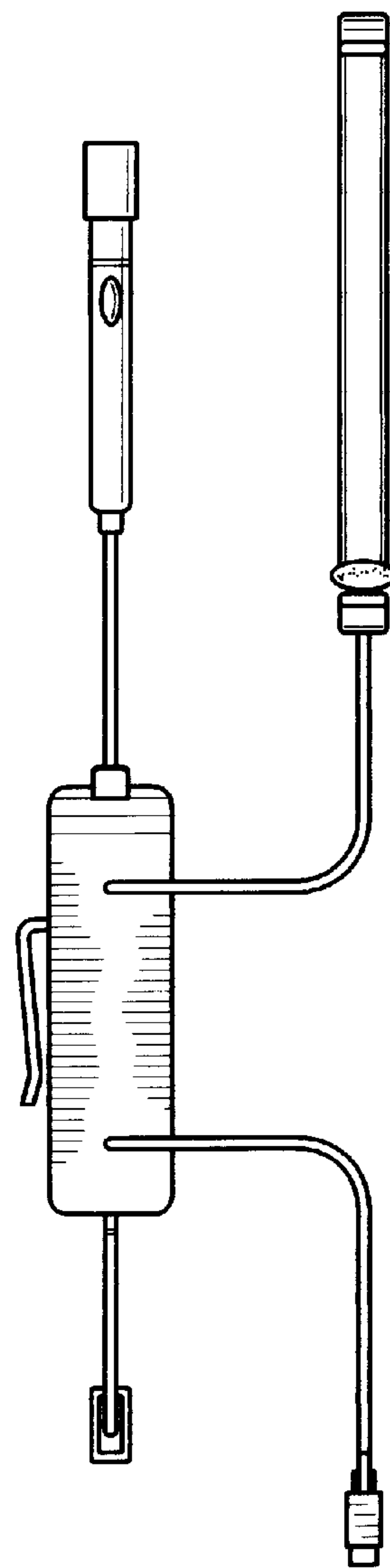


FIG. 4

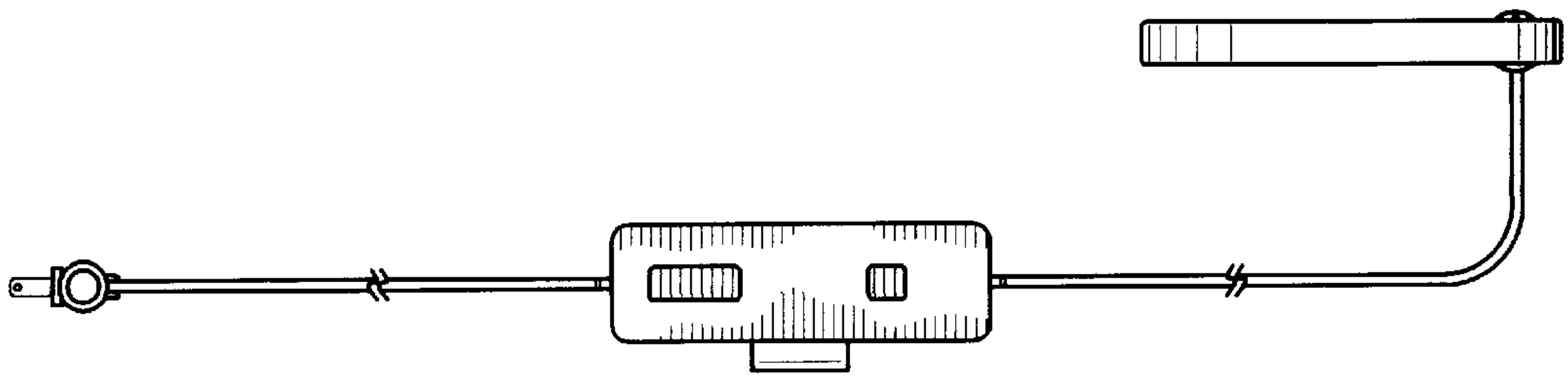


FIG. 5

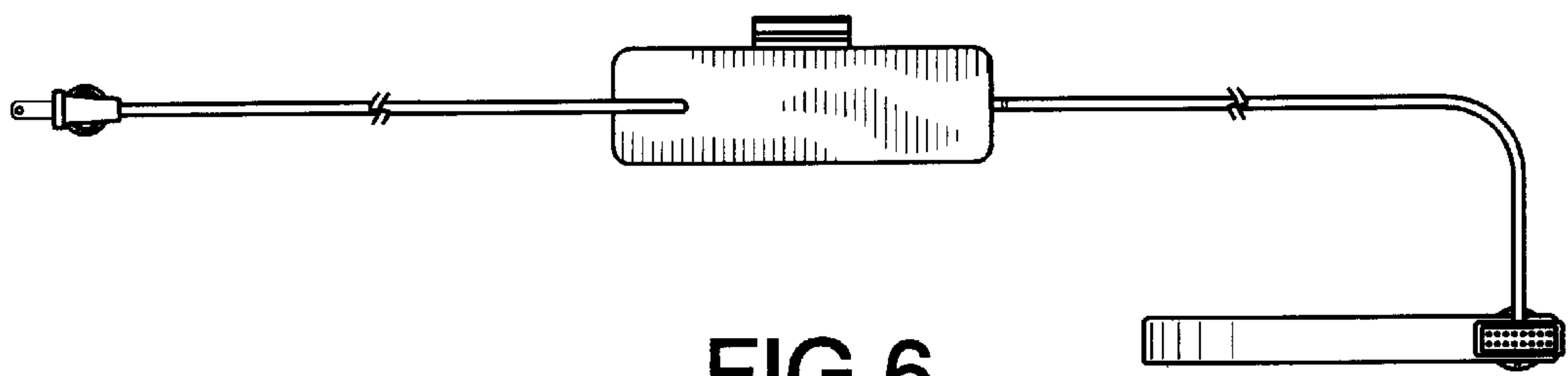


FIG. 6