



US00D487073S

(12) **United States Design Patent**
Hori et al.

(10) **Patent No.:** **US D487,073 S**

(45) **Date of Patent:** **** Feb. 24, 2004**

(54) **COMBINED CASSETTE TAPE PLAYER AND RADIO TUNER FOR A VEHICLE**

(75) Inventors: **Tomoo Hori**, Kanagawa (JP); **Hiroyuki Mizokawa**, Kanagawa (JP)

(73) Assignee: **Matsushita Electric Industrial Co., Ltd.**, Osaka (JP)

(**) Term: **14 Years**

(21) Appl. No.: **29/174,847**

(22) Filed: **Jan. 24, 2003**

(30) **Foreign Application Priority Data**

Oct. 31, 2002 (JP) 2002-029832

(51) **LOC (7) Cl.** **14-03**

(52) **U.S. Cl.** **D14/157**

(58) **Field of Search** D14/135-136, D14/156-157, 160-164, 167-168, 188, 193-198, 257-258, 265; 362/26-27, 86, 253; 369/6-7, 75.1, 75.2, 77.1, 77.2; 455/344, 346-347, 350-351

(56) **References Cited**

U.S. PATENT DOCUMENTS

D281,418 S * 11/1985 Lewis et al. D14/258

D284,186 S * 6/1986 Hautbout D14/157
5,363,122 A * 11/1994 Suenaga et al. 455/346
D445,775 S * 7/2001 Hori et al. D14/157
D446,781 S * 8/2001 Hori et al. D14/157

FOREIGN PATENT DOCUMENTS

JP D1151953 9/2002

* cited by examiner

Primary Examiner—Nanda Bondade

(74) *Attorney, Agent, or Firm*—Brinks Hofer Gilson & Lione

(57) **CLAIM**

The ornamental design for a combined cassette tape player and radio tuner for a vehicle, as shown and described.

DESCRIPTION

FIG. 1 is a top perspective view of a combined cassette tape player and radio tuner for a vehicle of the present invention; FIG. 2 is a front view thereof; FIG. 3 is a first side view thereof; FIG. 4 is a second side view thereof; FIG. 5 is a top view thereof; FIG. 6 is a bottom view thereof; and, FIG. 7 is a rear view thereof.

1 Claim, 3 Drawing Sheets

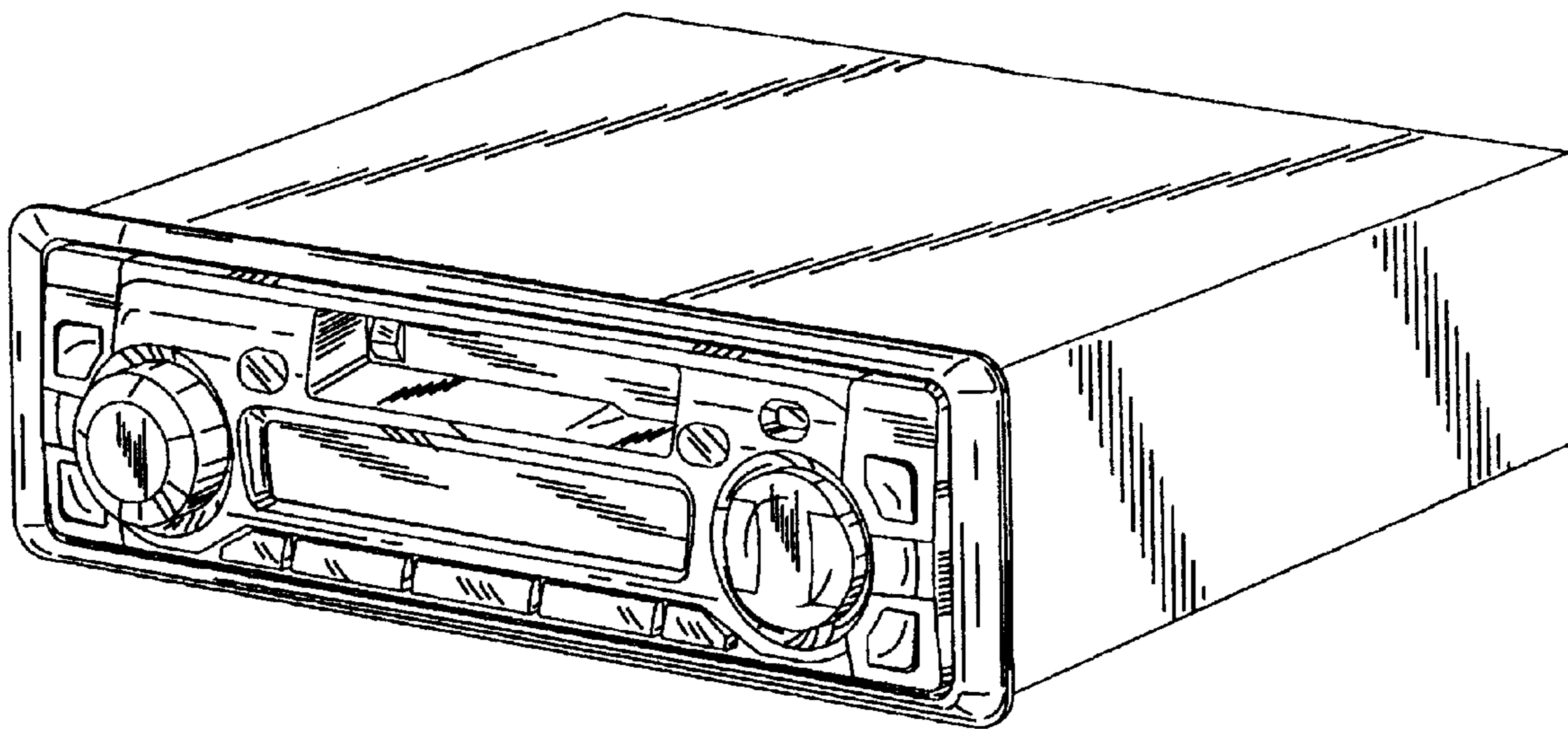


FIG.1

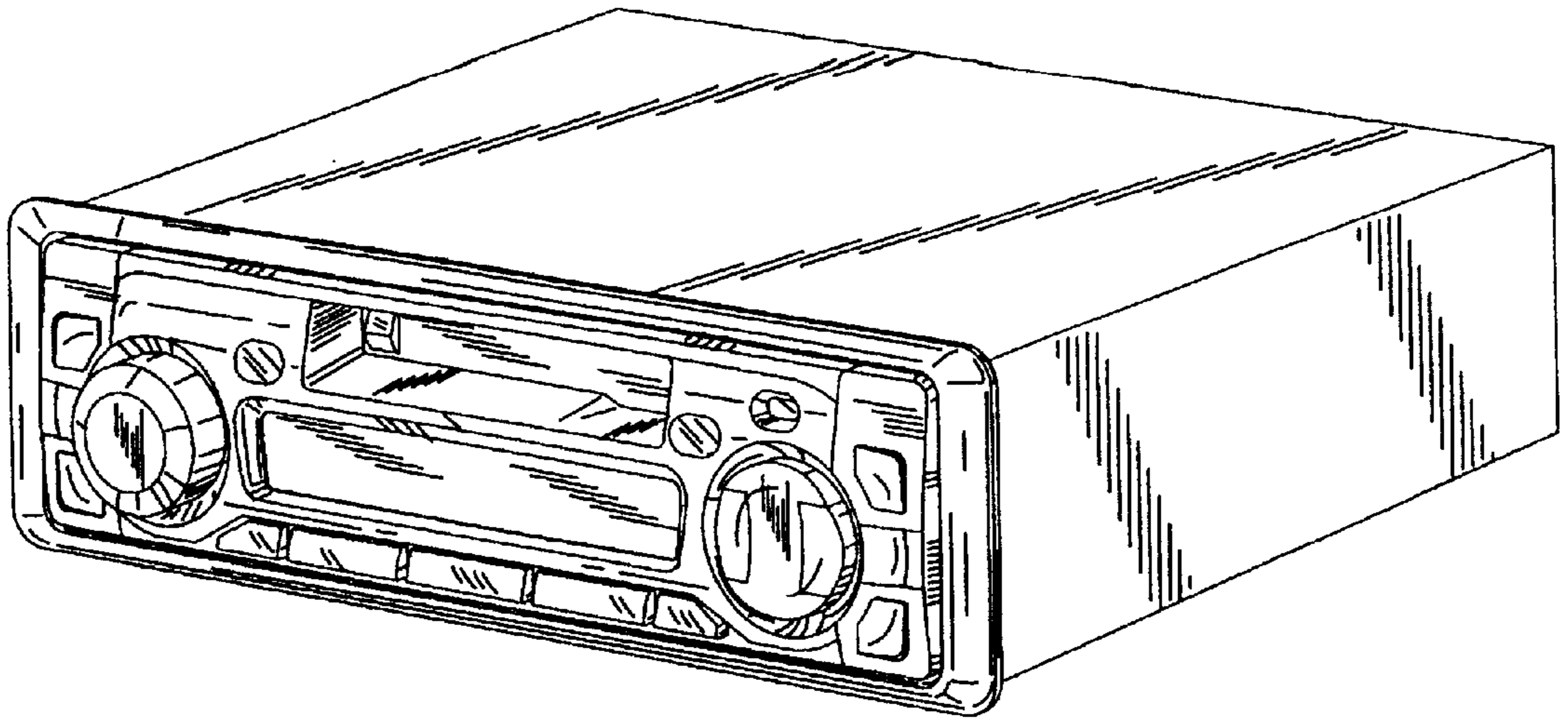


FIG.2

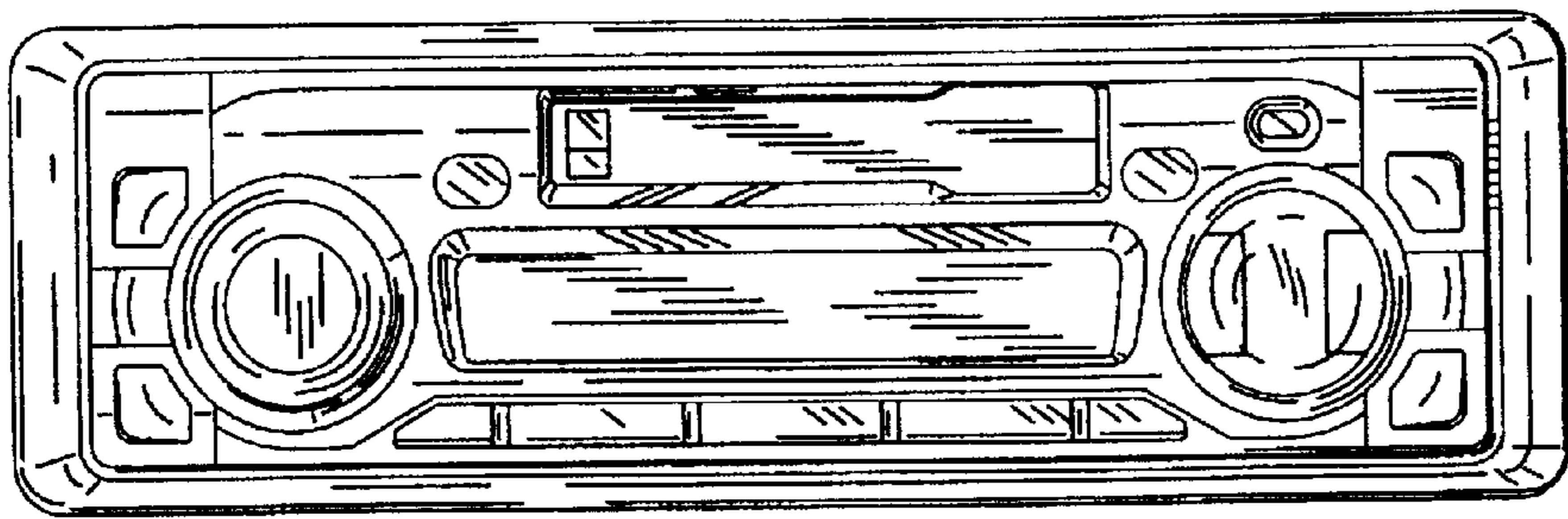


FIG.3

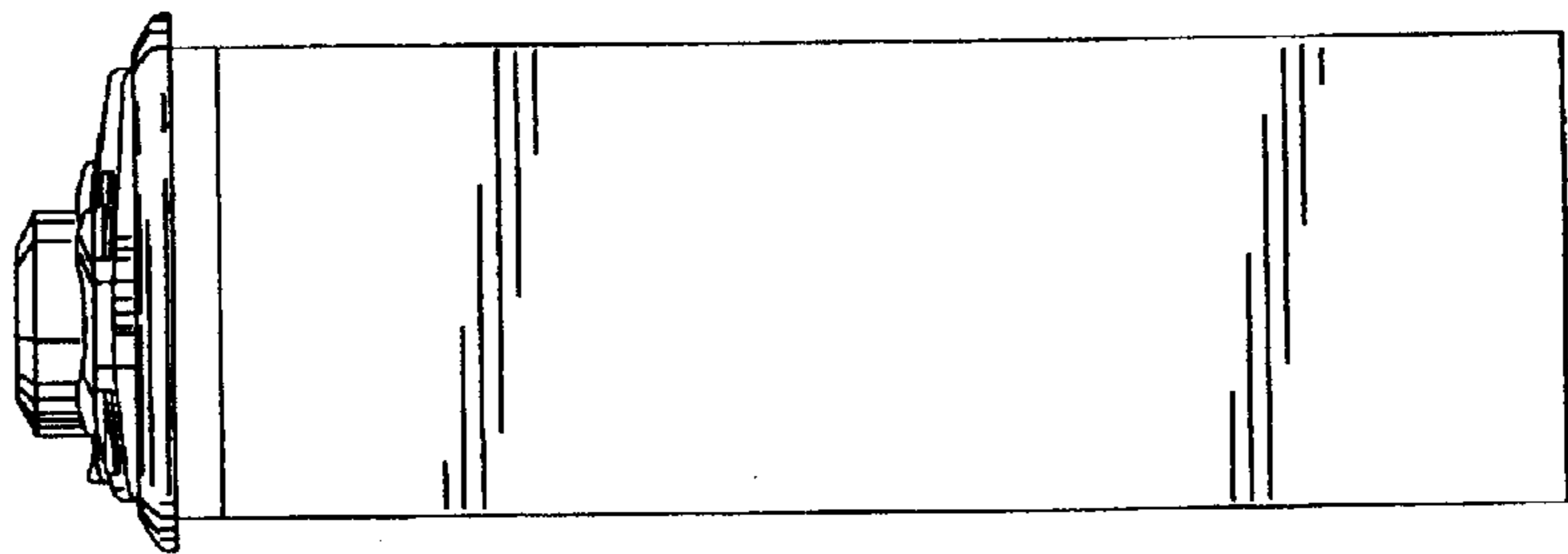


FIG.4

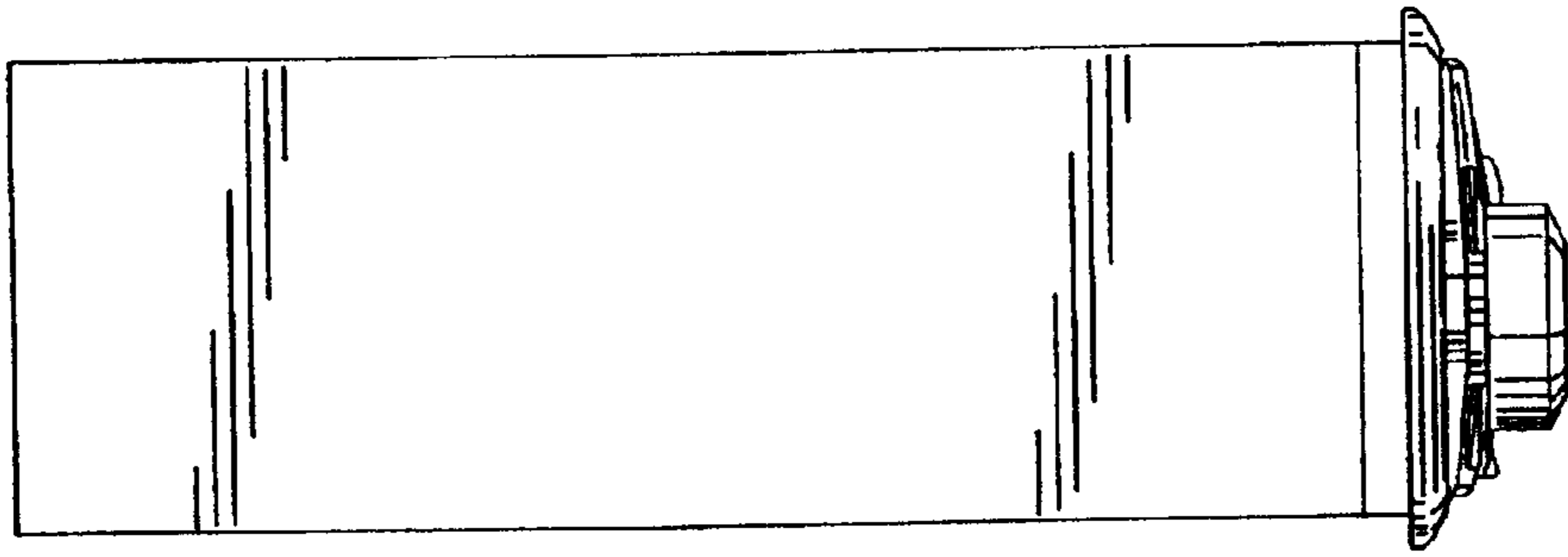


FIG.5

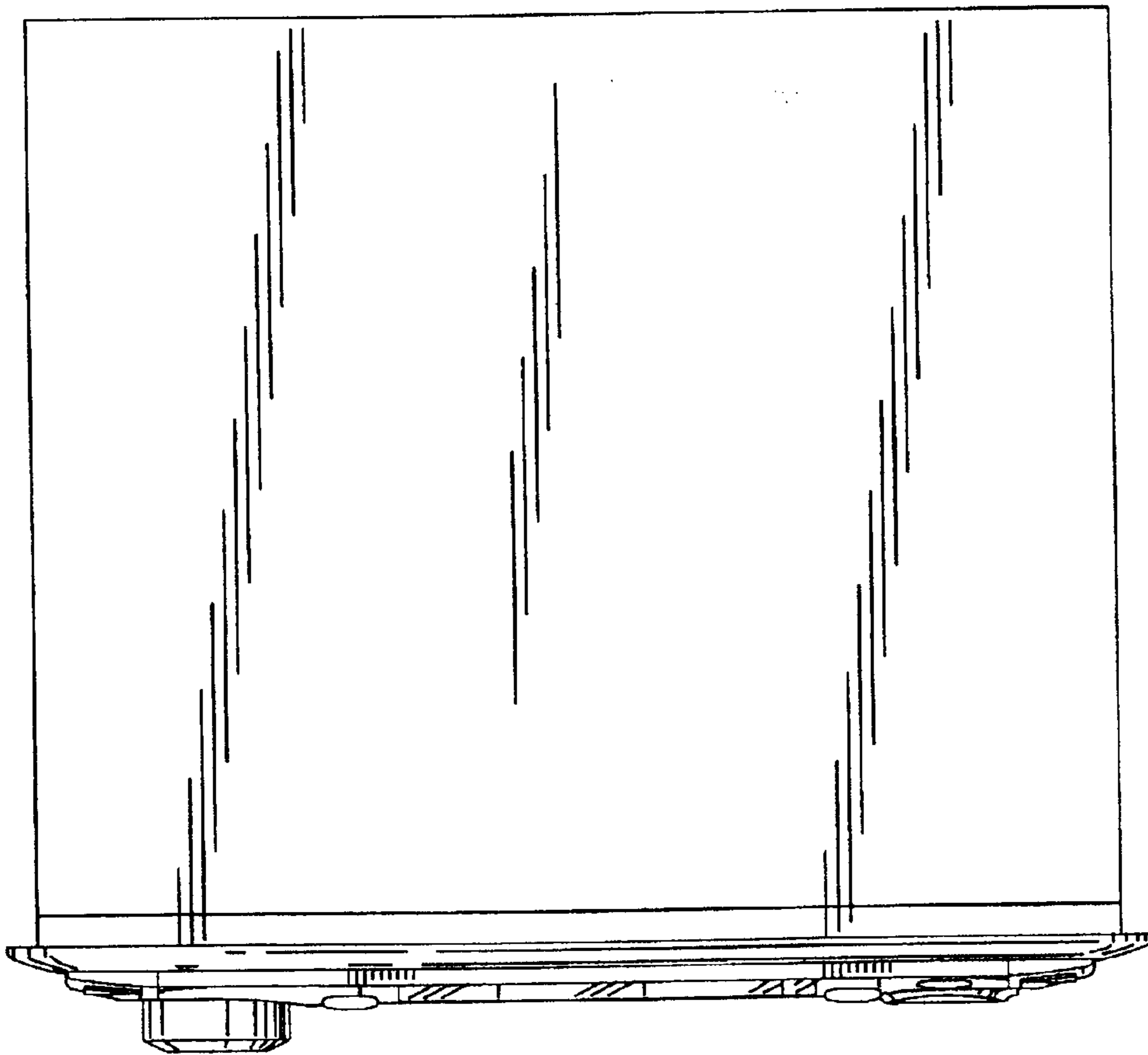


FIG.6

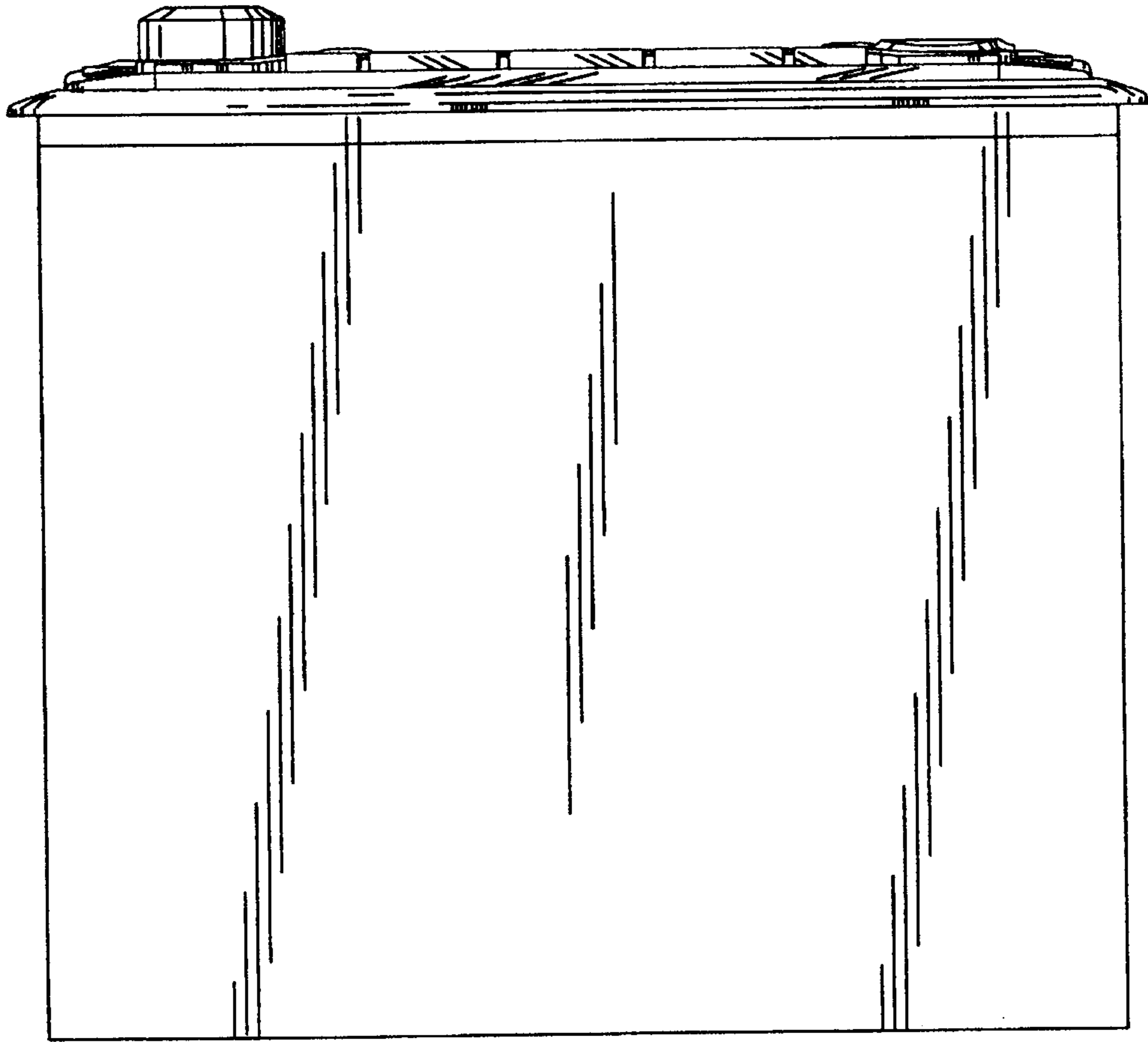


FIG.7

