



US00D487072S

(12) **United States Design Patent**
Hsu Li

(10) **Patent No.:** **US D487,072 S**

(45) **Date of Patent:** **** Feb. 24, 2004**

(54) **CD PLAYER**

(76) **Inventor:** **Hsiu-Chu Hsu Li**, P.O. Box 4-67, Hsin Chuang, Taipei (TW), 242

(**) **Term:** **14 Years**

(21) **Appl. No.:** **29/181,527**

(22) **Filed:** **May 13, 2003**

(51) **LOC (7) Cl.** **14-01**

(52) **U.S. Cl.** **D14/156**

(58) **Field of Search** D14/135-136,
D14/156-157, 160-165, 167-168, 188,
193-198, 217; 369/75.1, 75.2, 77.1, 77.2;
455/344, 347-351

(56) **References Cited**

U.S. PATENT DOCUMENTS

- D400,528 S * 11/1998 Kanatani D14/156
- D405,082 S * 2/1999 Shibata D14/156
- D408,408 S * 4/1999 Ito et al. D14/156

- D415,757 S * 10/1999 Takahashi et al. D14/156
- D430,551 S * 9/2000 Shiono D14/156
- D461,788 S * 8/2002 Oka D14/168

* cited by examiner

Primary Examiner—Nanda Bondade

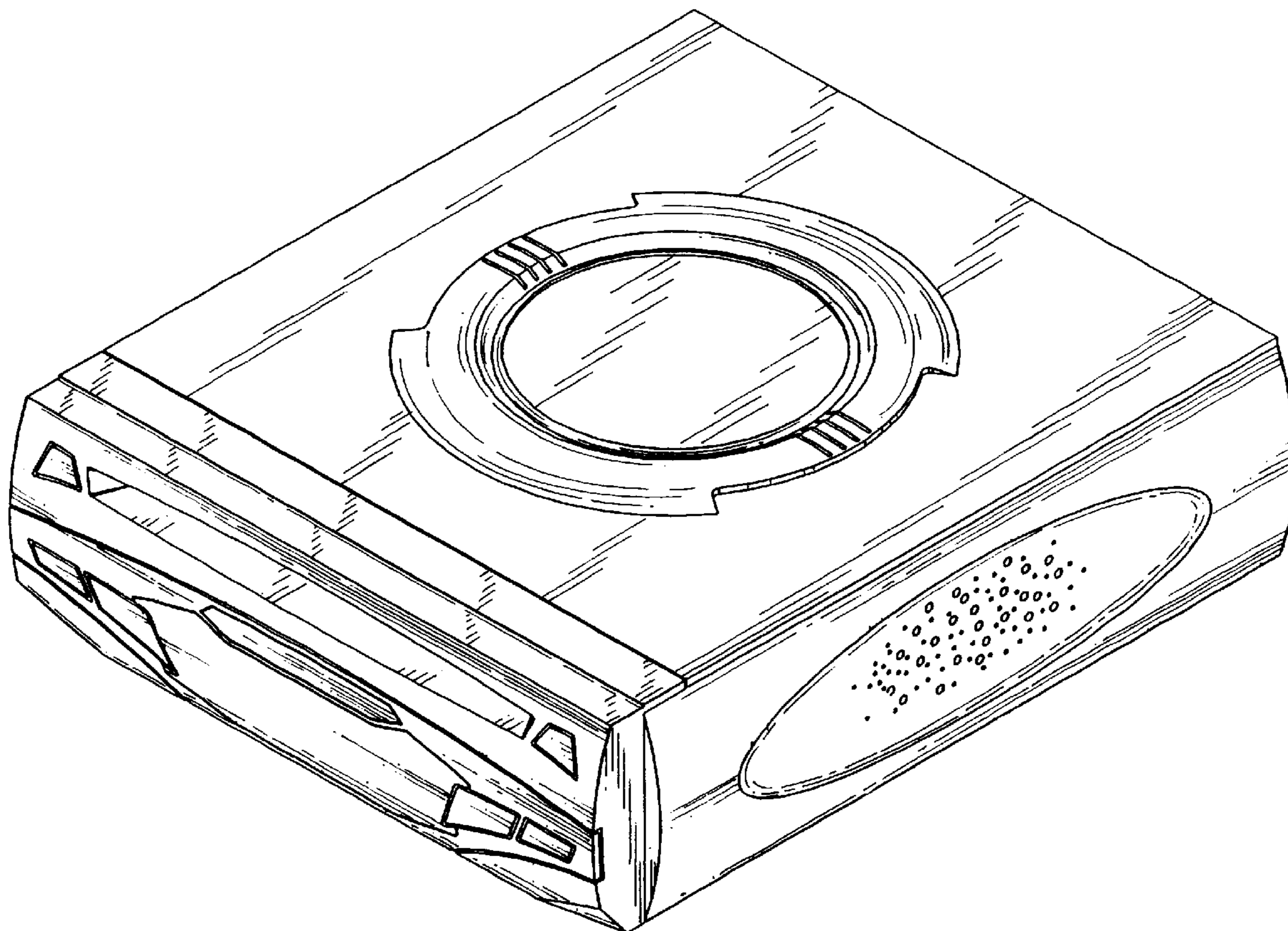
(57) **CLAIM**

The ornamental design for a CD player, as shown and described.

DESCRIPTION

FIG. 1 is a perspective view of a CD player showing my new design;
 FIG. 2 is a front elevational view thereof;
 FIG. 3 is a rear elevational view thereof;
 FIG. 4 is a top plan view thereof;
 FIG. 5 is a bottom plan view thereof;
 FIG. 6 is a left side elevational view thereof; and,
 FIG. 7 is a right side elevational view thereof.

1 Claim, 5 Drawing Sheets



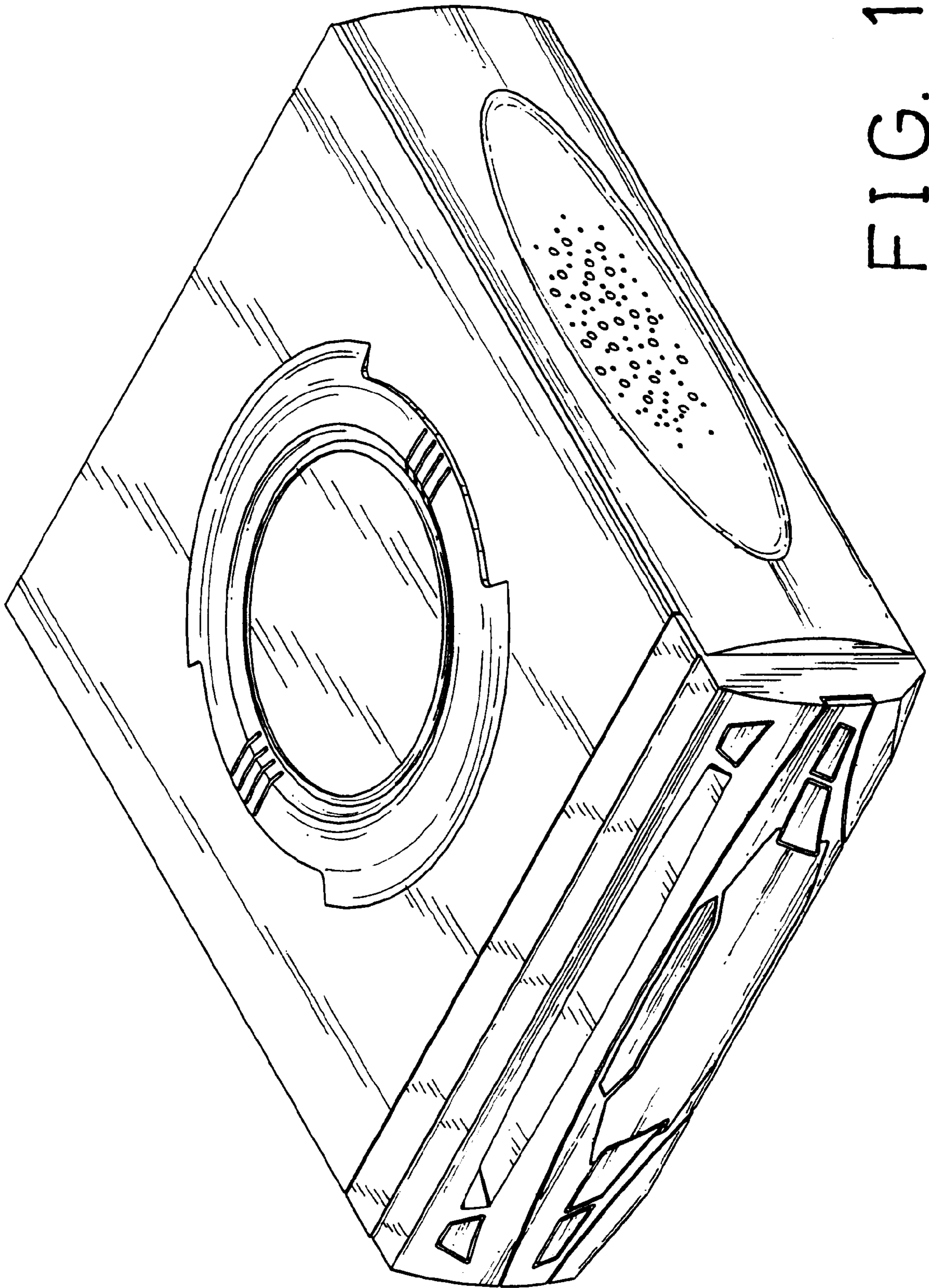


FIG. 1

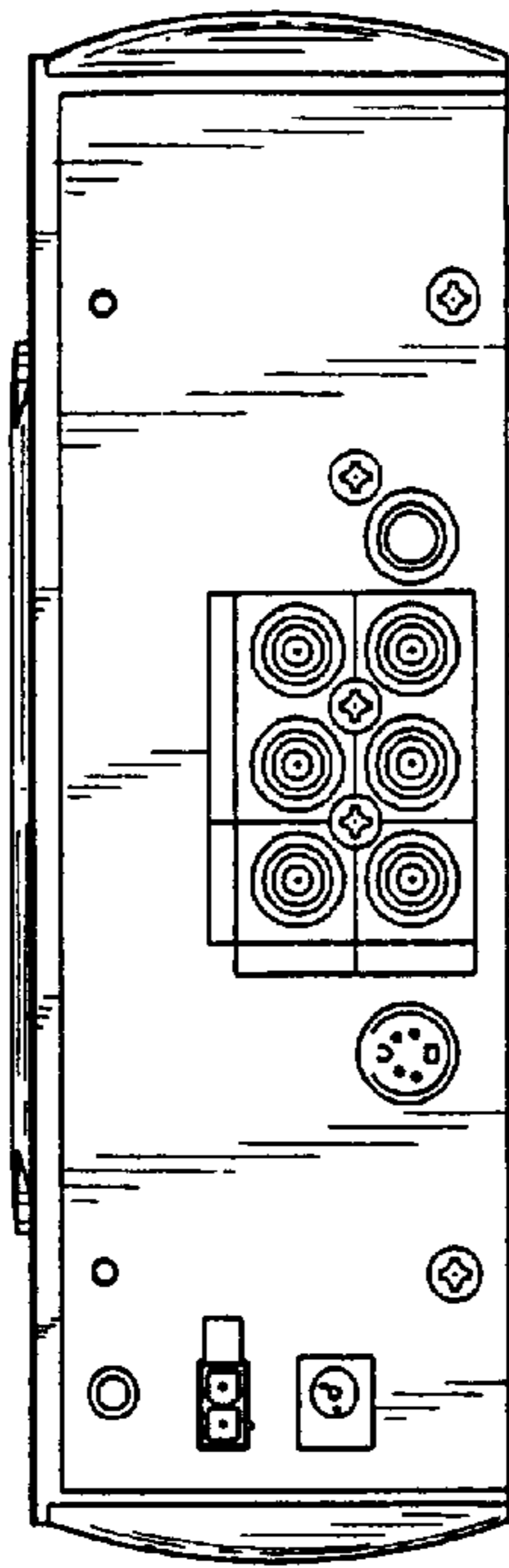


FIG. 2

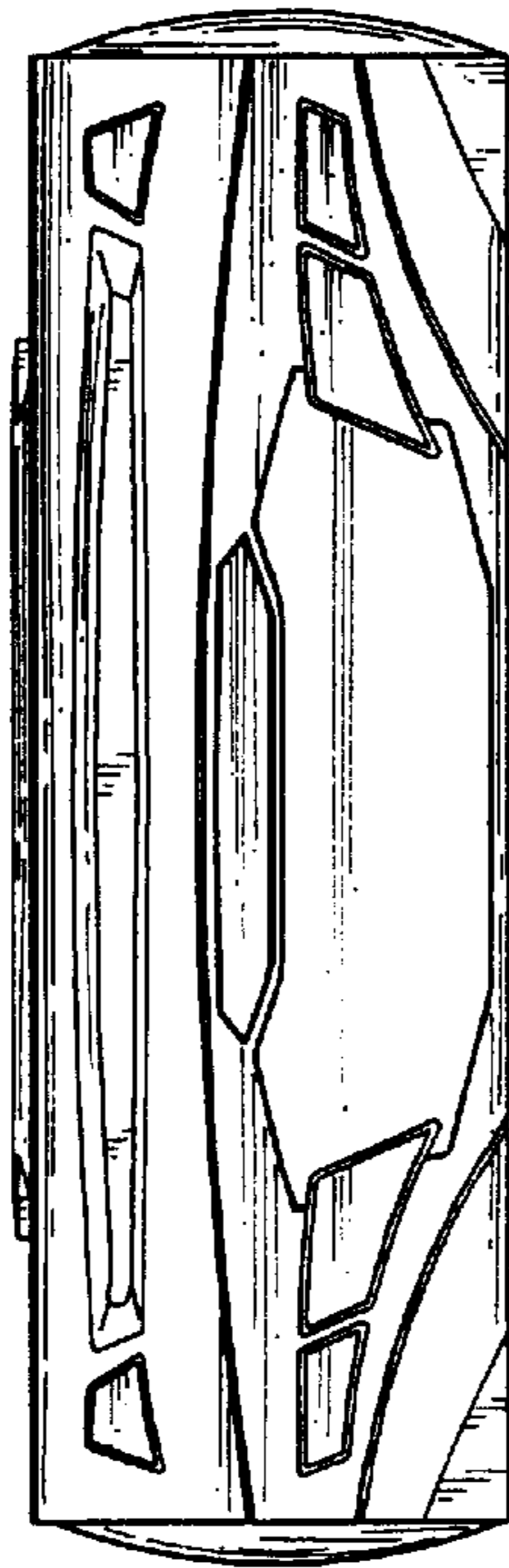


FIG. 3

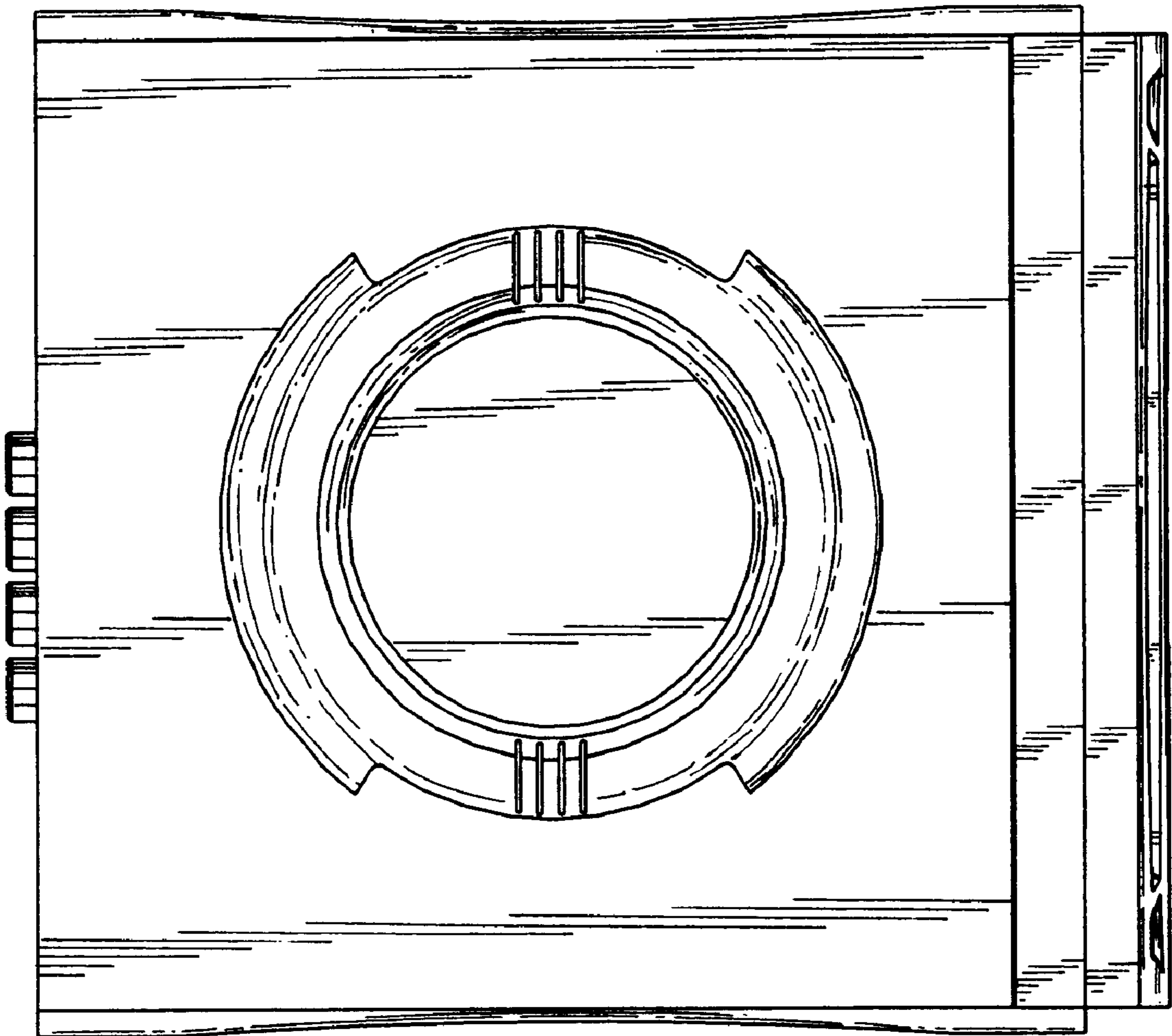


FIG. 4

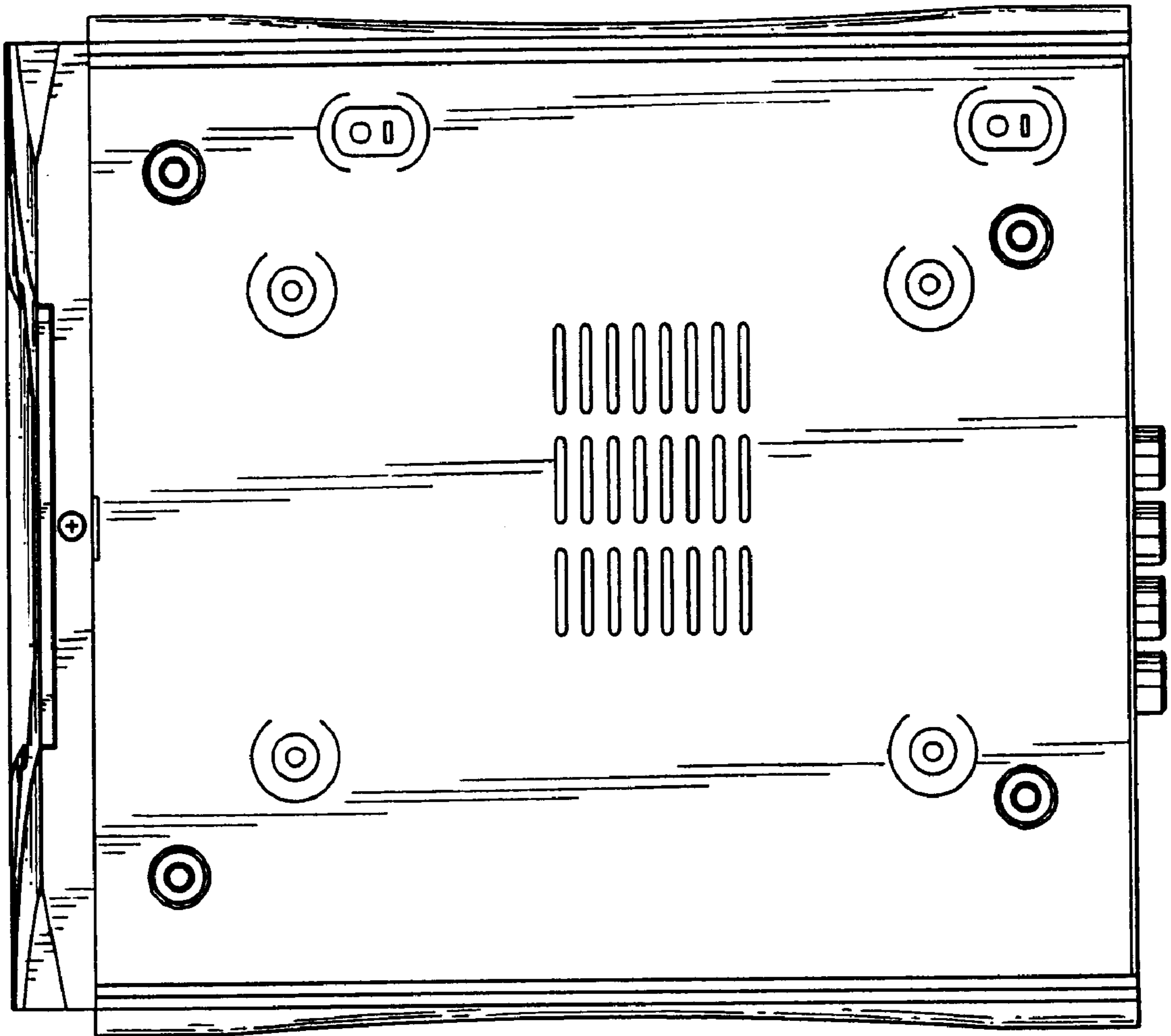


FIG. 5

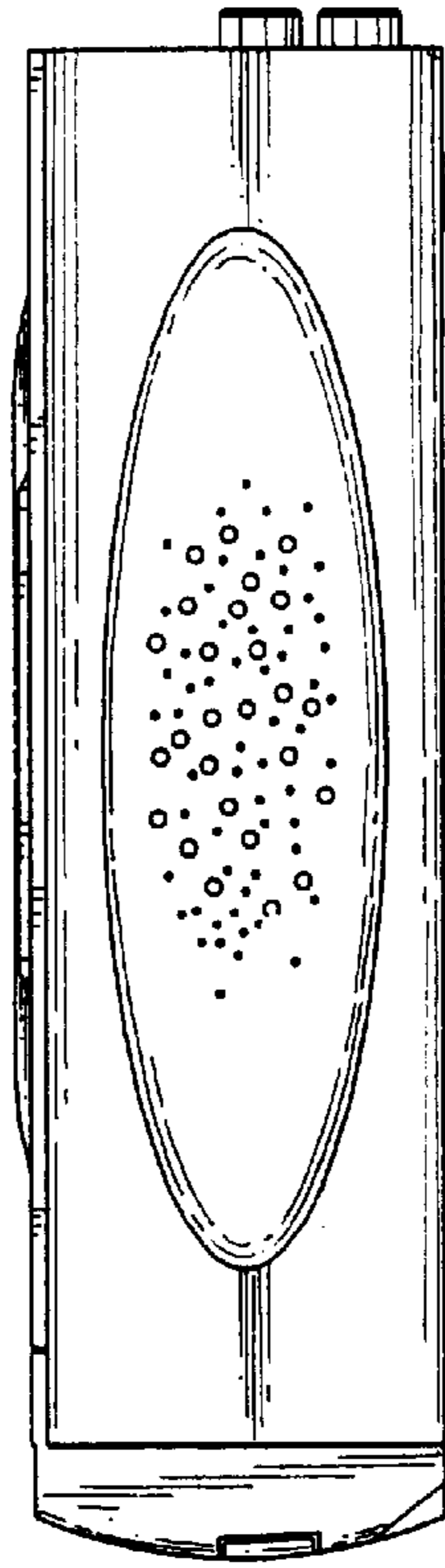


FIG. 7

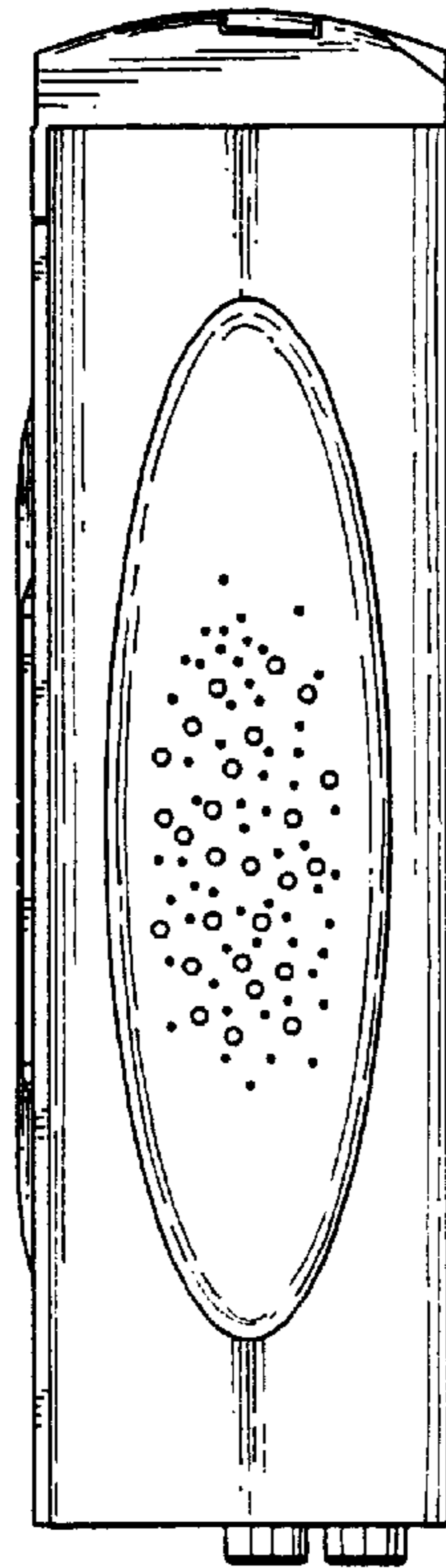


FIG. 6