



US00D487062S

(12) **United States Design Patent**
Foster

(10) **Patent No.:** **US D487,062 S**

(45) **Date of Patent:** **** Feb. 24, 2004**

(54) **ELECTRICAL CONNECTOR**

D470,461 S * 2/2003 Liang D13/151

(75) Inventor: **Gary D. Foster**, Batavia, OH (US)

* cited by examiner

(73) Assignee: **M. E. Heuck Co.**, Cincinnati, OH (US)

Primary Examiner—Philip S. Hyder

Assistant Examiner—Selina Sikder

(**) Term: **14 Years**

(74) *Attorney, Agent, or Firm*—Wood, Herron & Evans, L.L.P.

(21) Appl. No.: **29/175,329**

(57) **CLAIM**

(22) Filed: **Feb. 3, 2003**

The ornamental design for an electrical connector, as shown and described.

(51) **LOC (7) Cl.** **13-03**

(52) **U.S. Cl.** **D13/151**

(58) **Field of Search** D13/133, 148,
D13/149, 151; 439/362, 387, 431, 810,
814, 815

DESCRIPTION

FIG. 1 is a perspective view of an electrical connector showing my design;

FIG. 2 is a perspective view of an electrical connector showing my design;

FIG. 3 is a front elevational view thereof;

FIG. 4 is a right side elevational view thereof;

FIG. 5 is a rear elevational view thereof.

FIG. 6 is a left elevational view thereof;

FIG. 7 is a top plan view thereof; and,

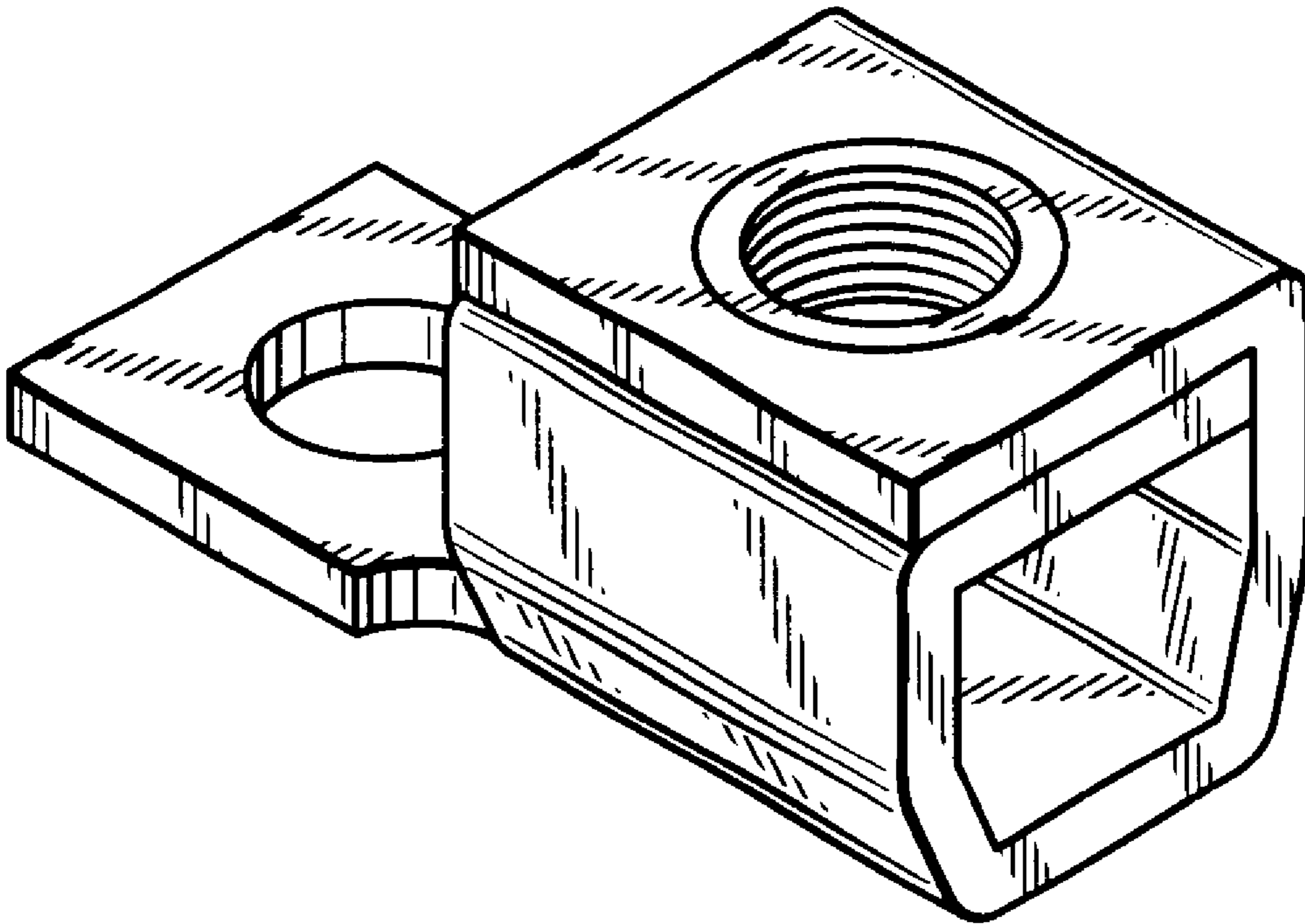
FIG. 8 is a bottom plan view thereof.

(56) **References Cited**

U.S. PATENT DOCUMENTS

3,638,173	A	*	1/1972	Middendorf et al.	439/814
4,629,281	A	*	12/1986	Kruger	439/791
D302,420	S	*	7/1989	McGrane	D13/151
5,533,913	A	*	7/1996	Boehm et al.	439/810
5,957,733	A	*	9/1999	Mello et al.	439/814
6,213,818	B1	*	4/2001	Chadbourne	439/810

1 Claim, 1 Drawing Sheet



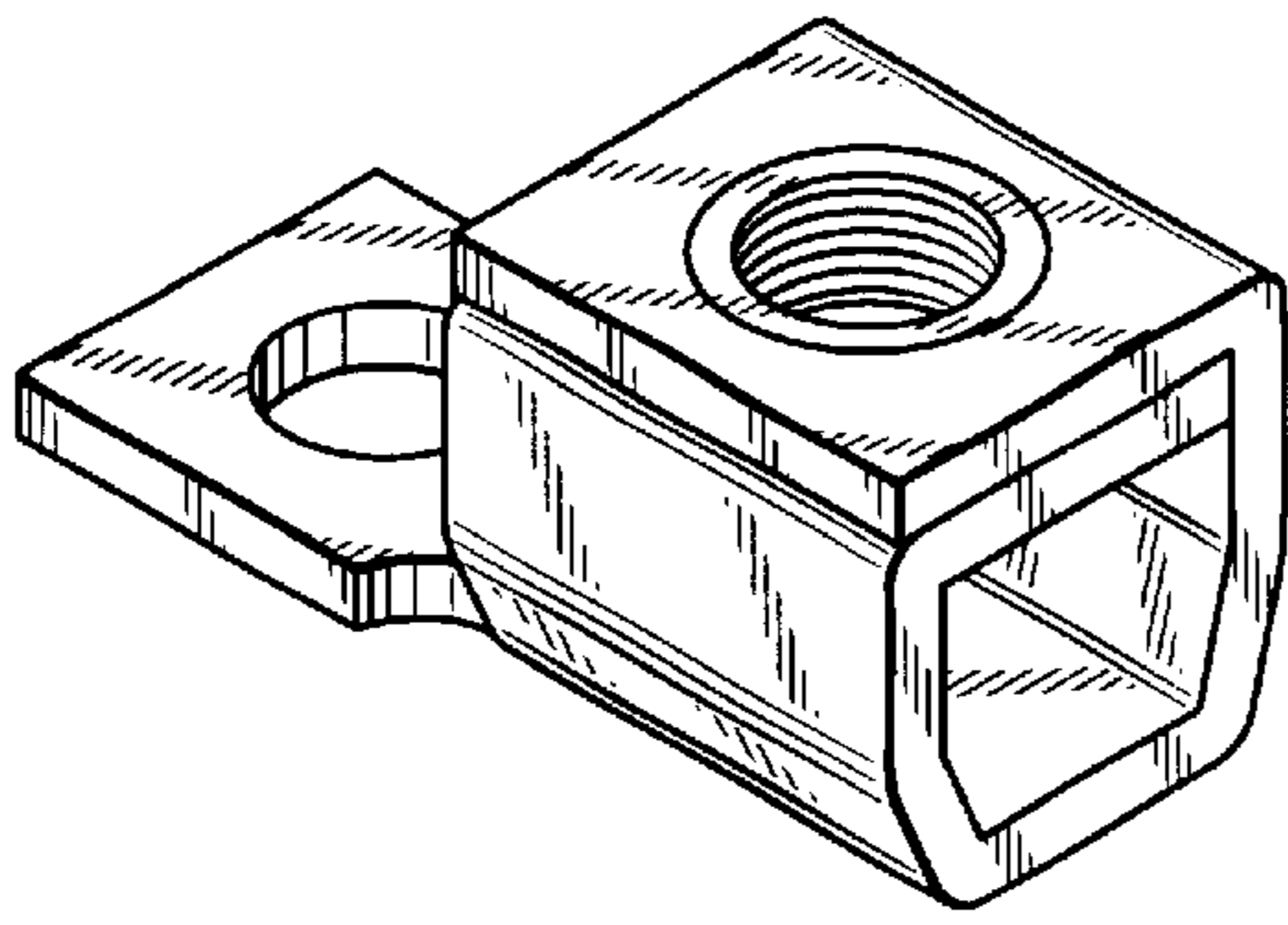


FIG. 1

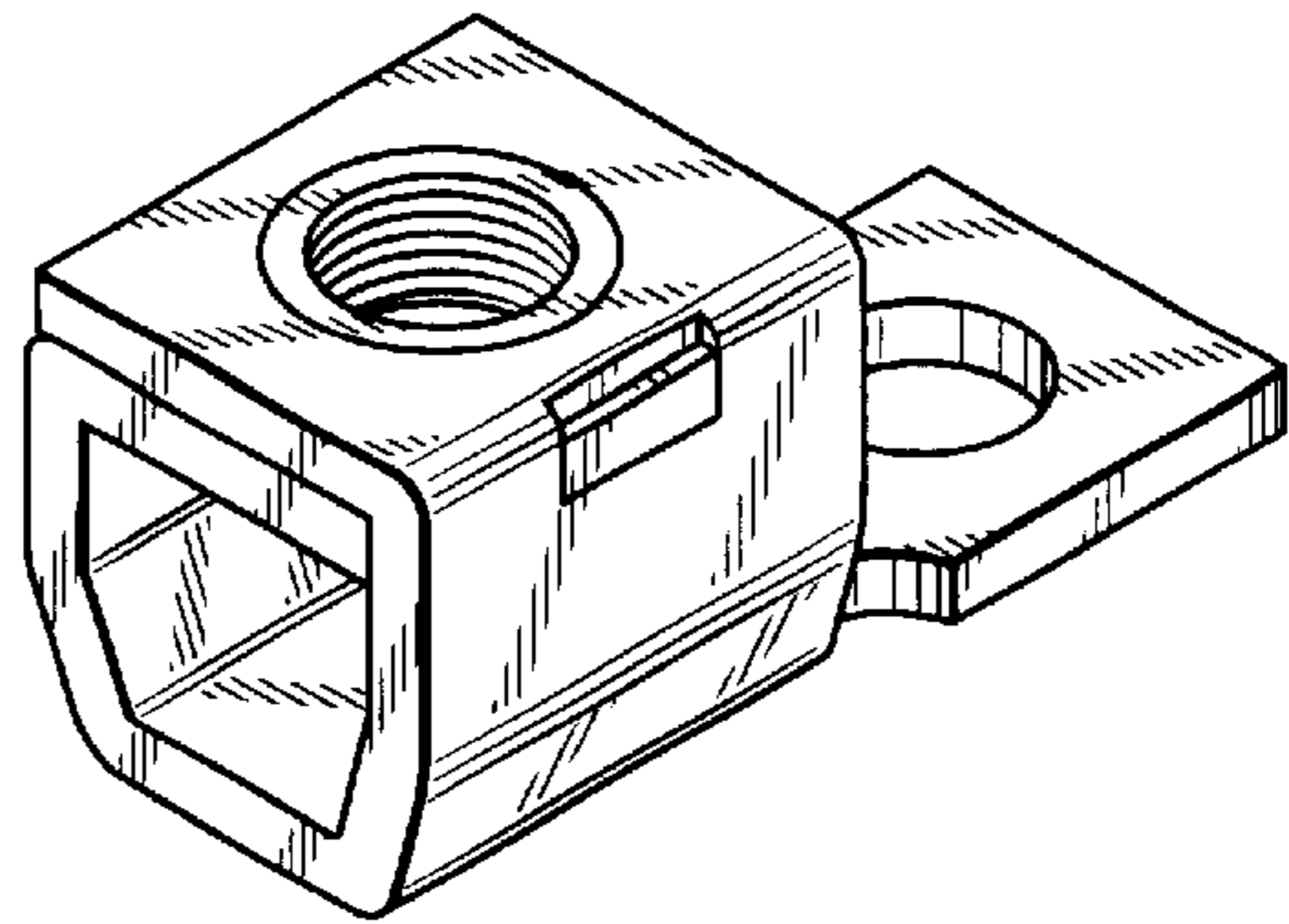


FIG. 2

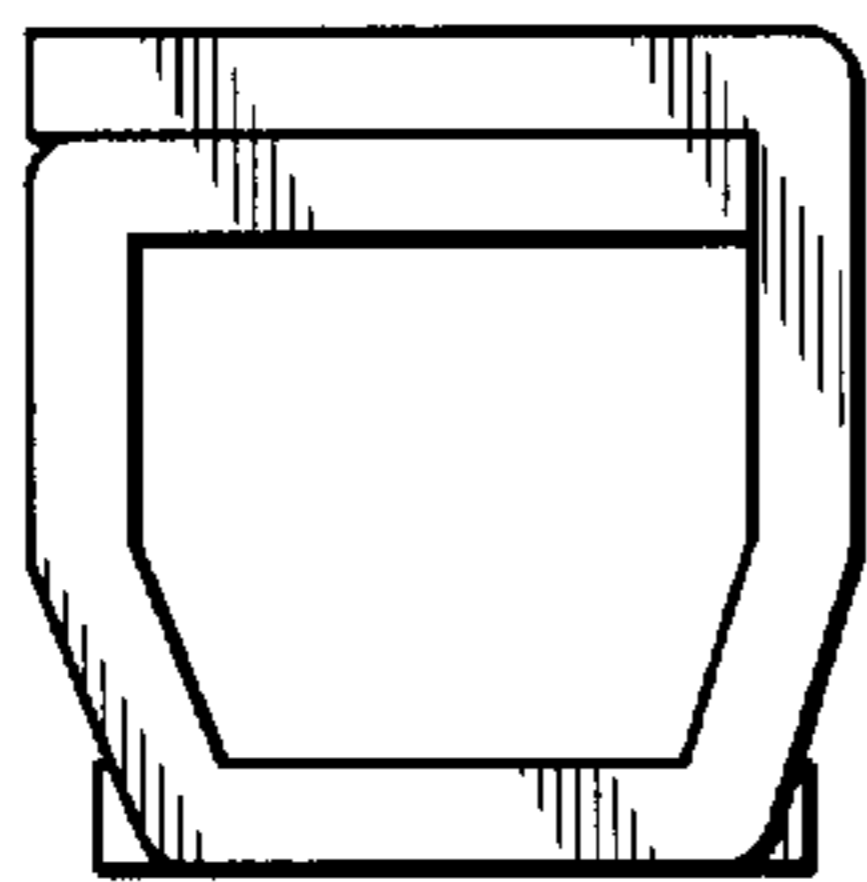


FIG. 3

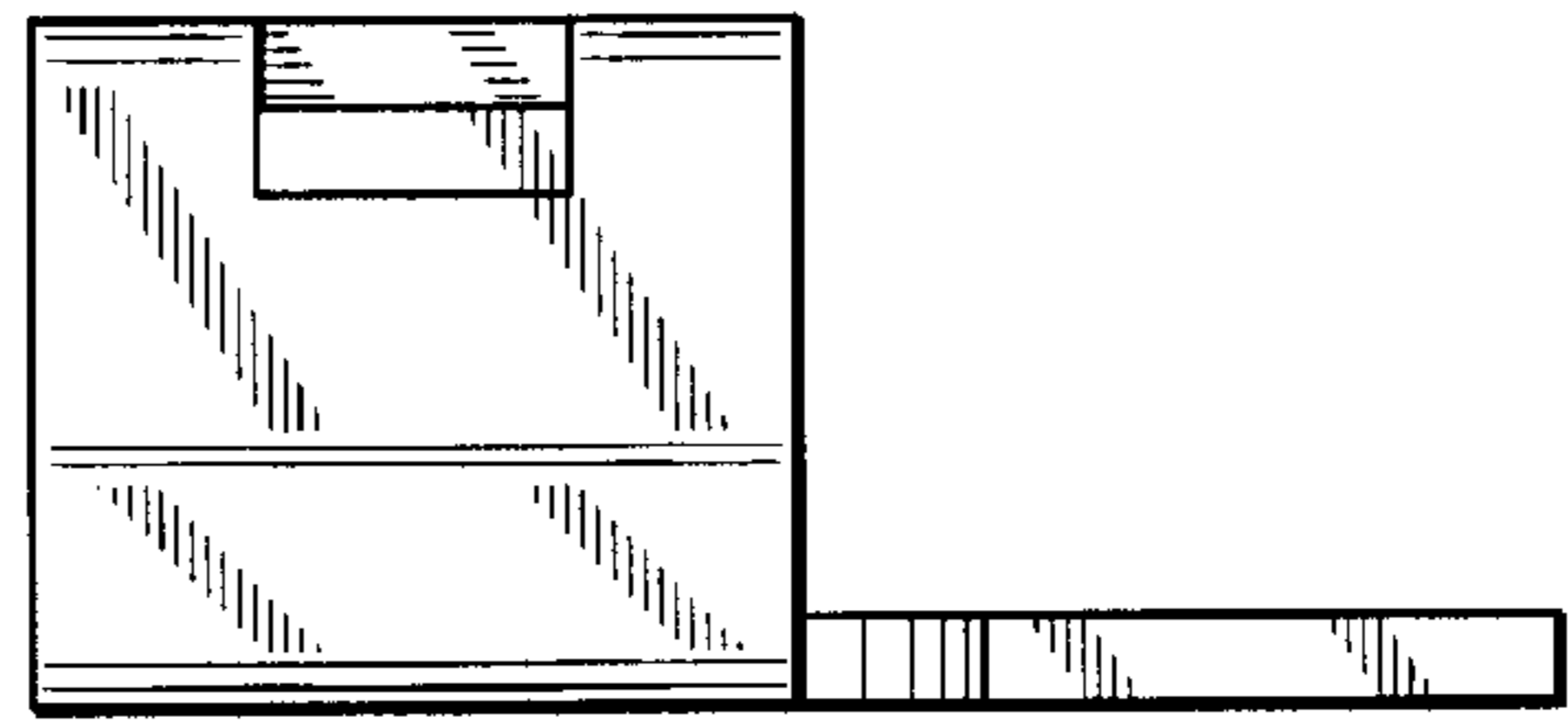


FIG. 4

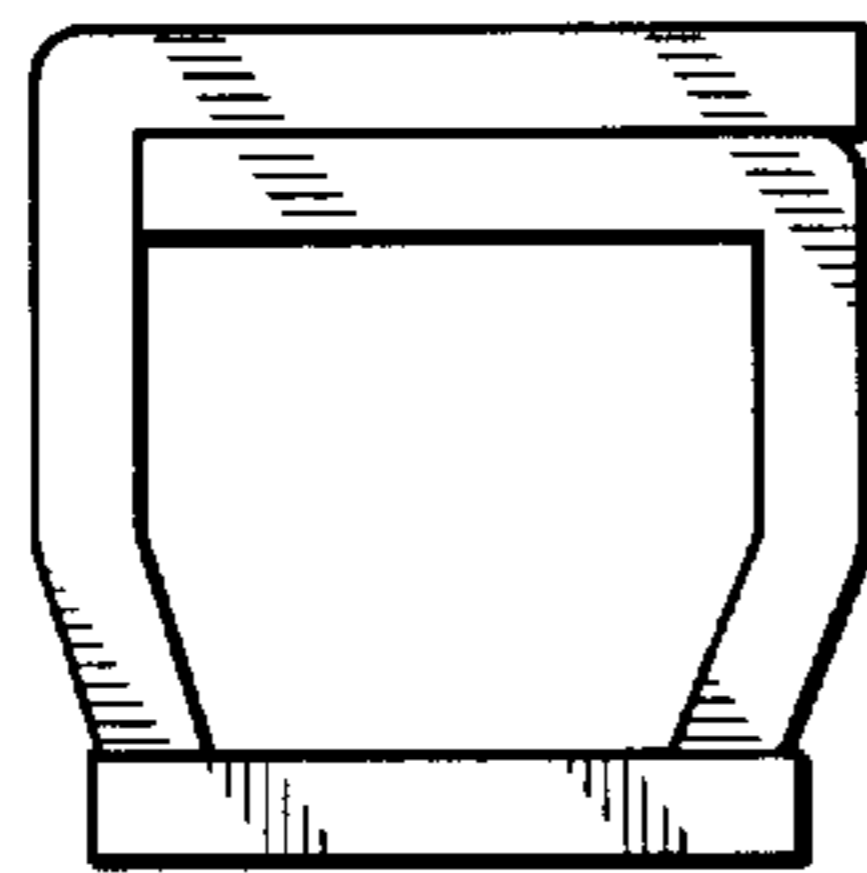


FIG. 5

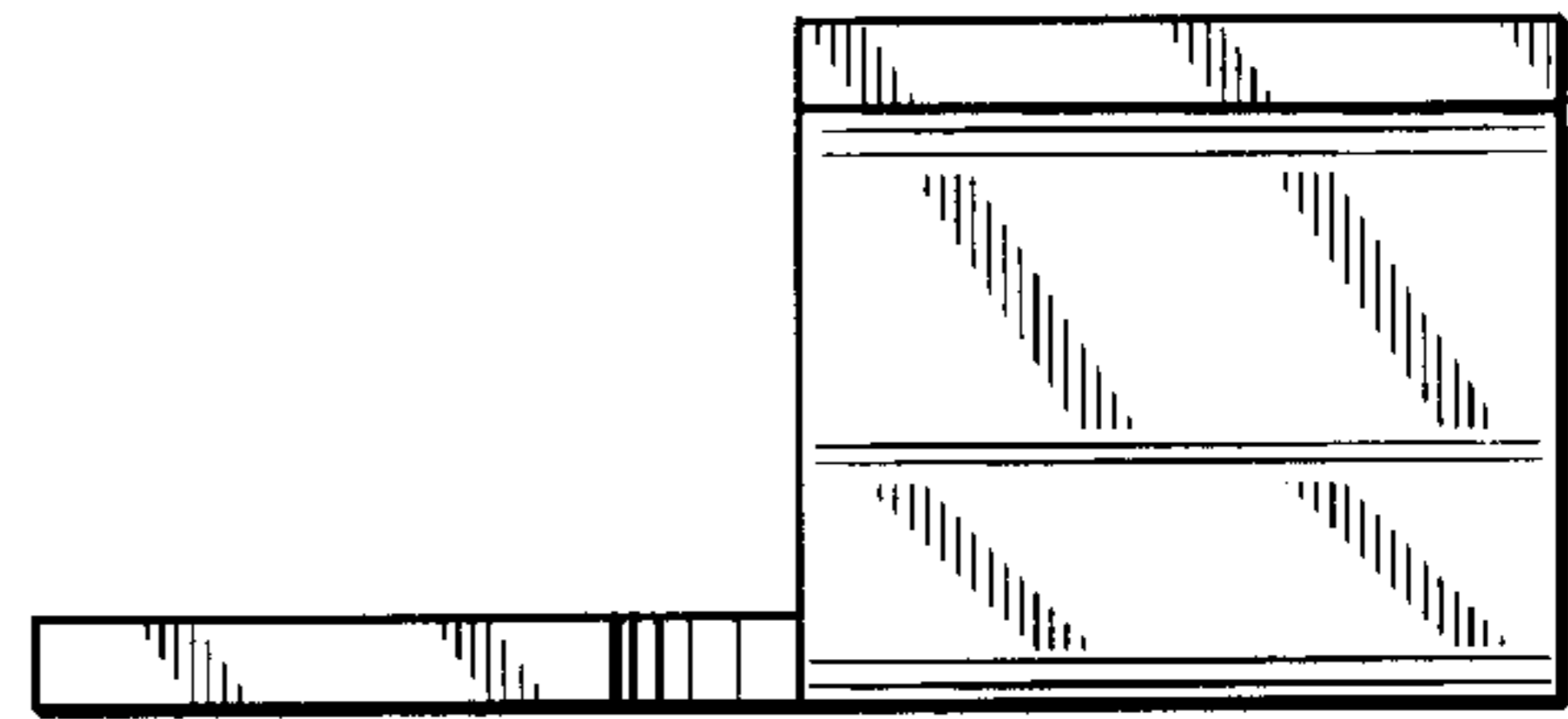


FIG. 6

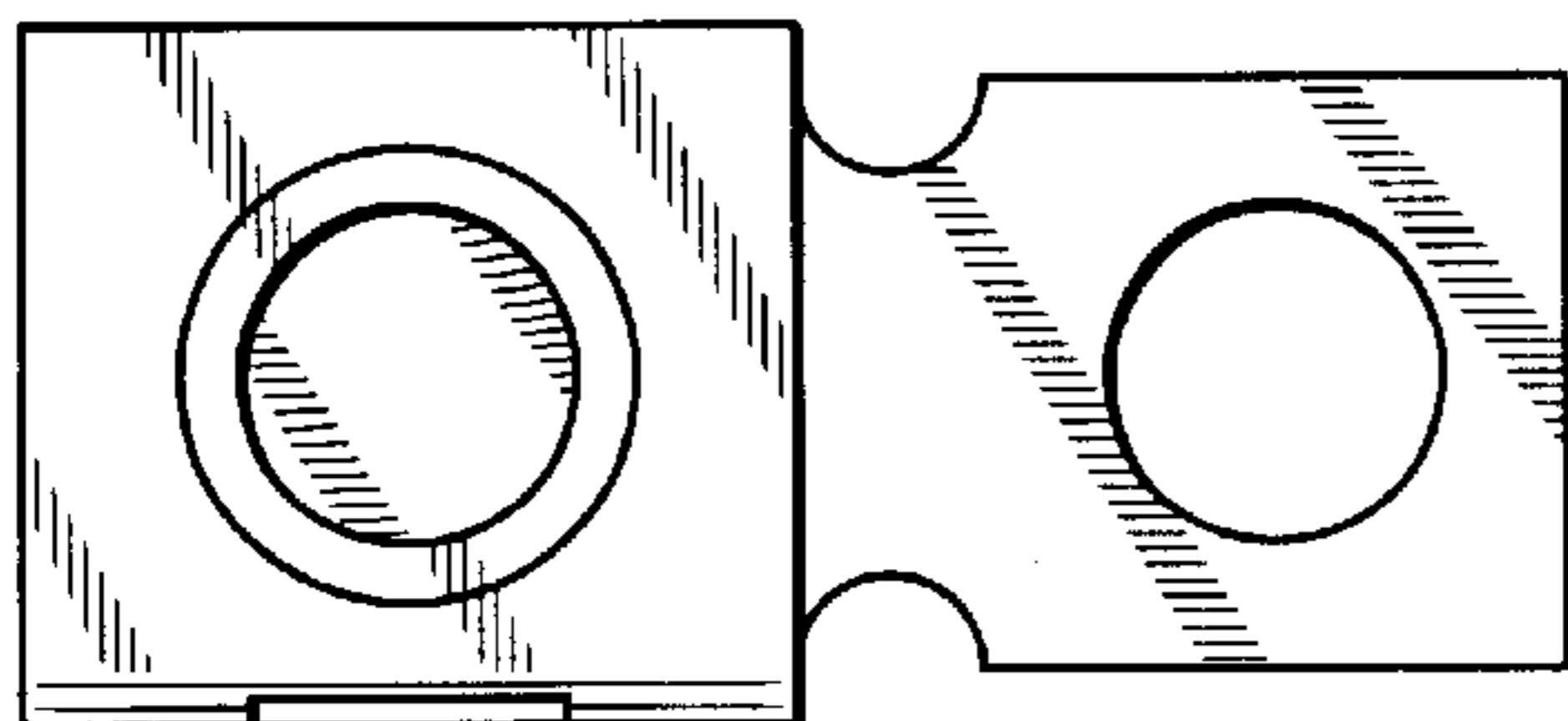


FIG. 7

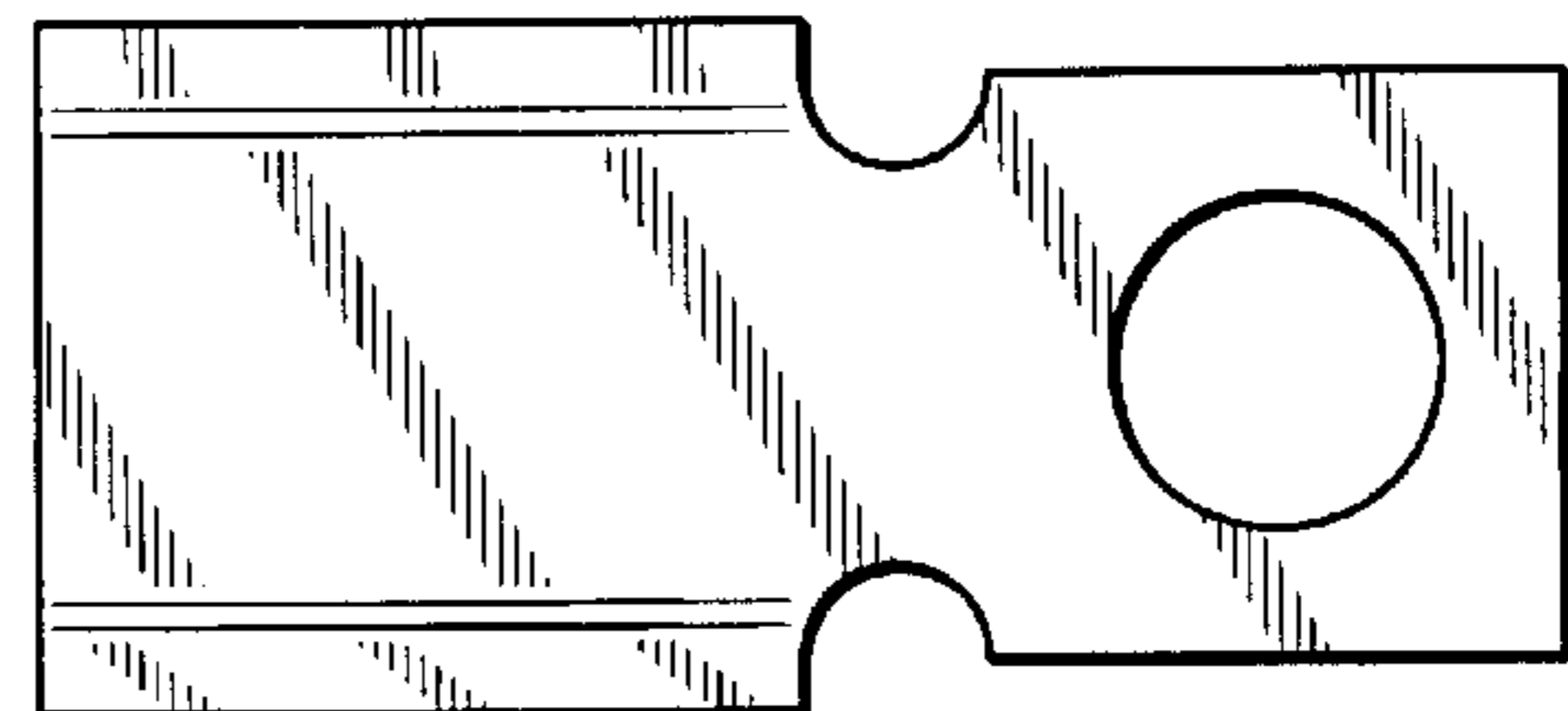


FIG. 8