



US00D487060S

(12) **United States Design Patent**
Ehrenberger

(10) **Patent No.:** **US D487,060 S**

(45) **Date of Patent:** **** Feb. 24, 2004**

(54) **WIND FORCE TURBINE FOR THE PRODUCTION OF ELECTRICITY**

6,270,308 B1 * 8/2001 Groppe 415/4.3
6,582,291 B2 * 6/2003 Clark 454/19

(75) Inventor: **Michael Ehrenberger**,
Deisslingen-Lauffen (DE)

* cited by examiner

(73) Assignee: **KBE Windpower GmbH**, Zimmern
(DE)

Primary Examiner—Lisa Lichtenstein
(74) *Attorney, Agent, or Firm*—McGlew and Tuttle, P.C.

(**) Term: **14 Years**

(57) **CLAIM**

The ornamental design for a wind force turbine for the production of electricity, as shown and described.

(21) Appl. No.: **29/157,884**

(22) Filed: **Mar. 26, 2002**

DESCRIPTION

(30) **Foreign Application Priority Data**

Oct. 19, 2001 (DE) 4 01 09 218

(51) **LOC (7) Cl.** **13-02**

(52) **U.S. Cl.** **D13/115**

(58) **Field of Search** D13/115; 416/244 B,
416/244 A, 201 R, 175, 203; 415/4.3, 4.5,
908, 220; 290/55

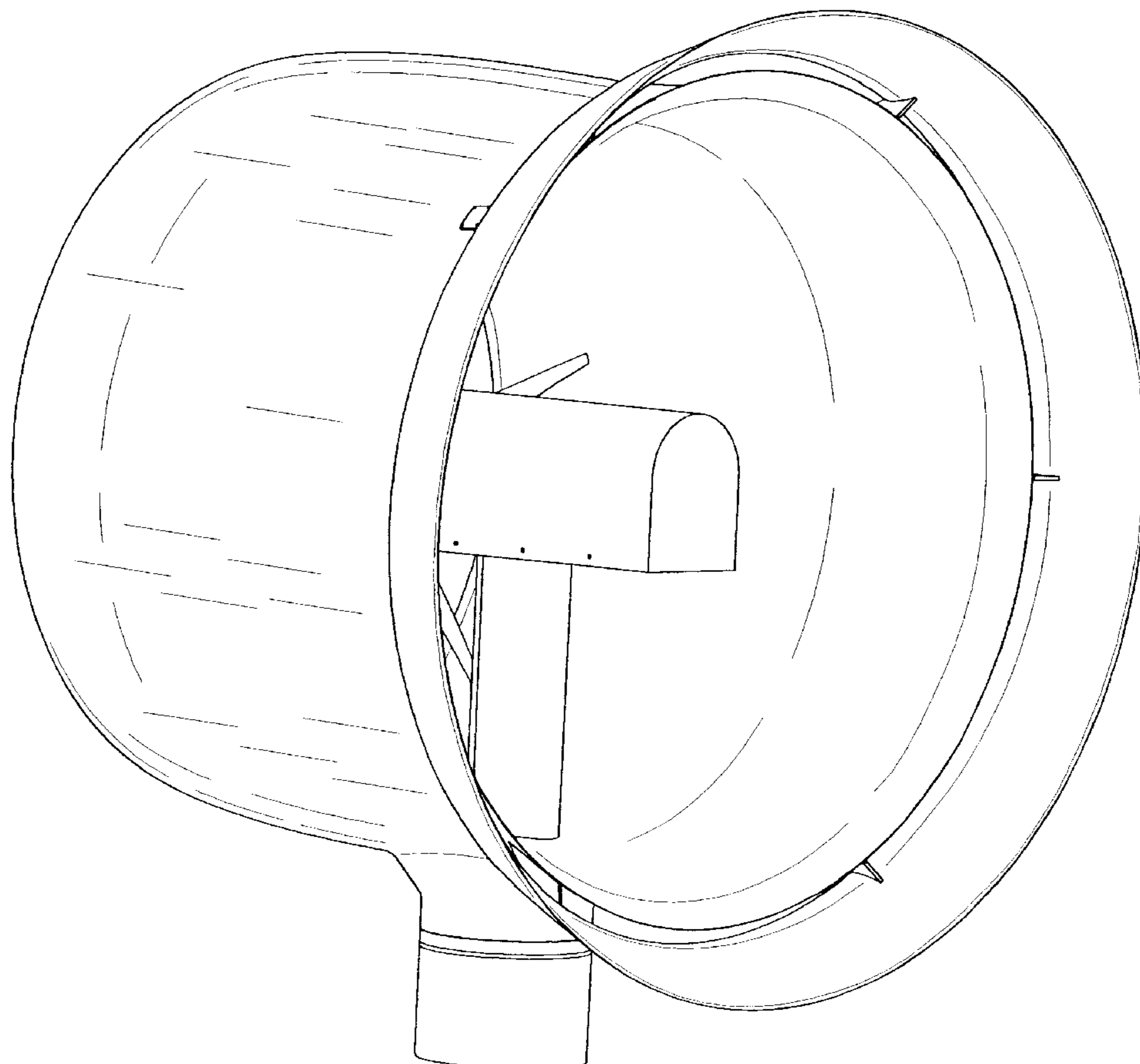
FIG. 1 is a front view of a wind force turbine for the production of electricity showing my new design;
FIG. 2 is a rear view thereof;
FIG. 3 is a right side view thereof;
FIG. 4 is left side view thereof;
FIG. 5 is a top view thereof;
FIG. 6 is a bottom view thereof;
FIG. 7 is a front perspective view thereof; and,
FIG. 8 is a rear perspective view thereof.

(56) **References Cited**

U.S. PATENT DOCUMENTS

6,168,373 B1 * 1/2001 Vauthier 415/7

1 Claim, 5 Drawing Sheets



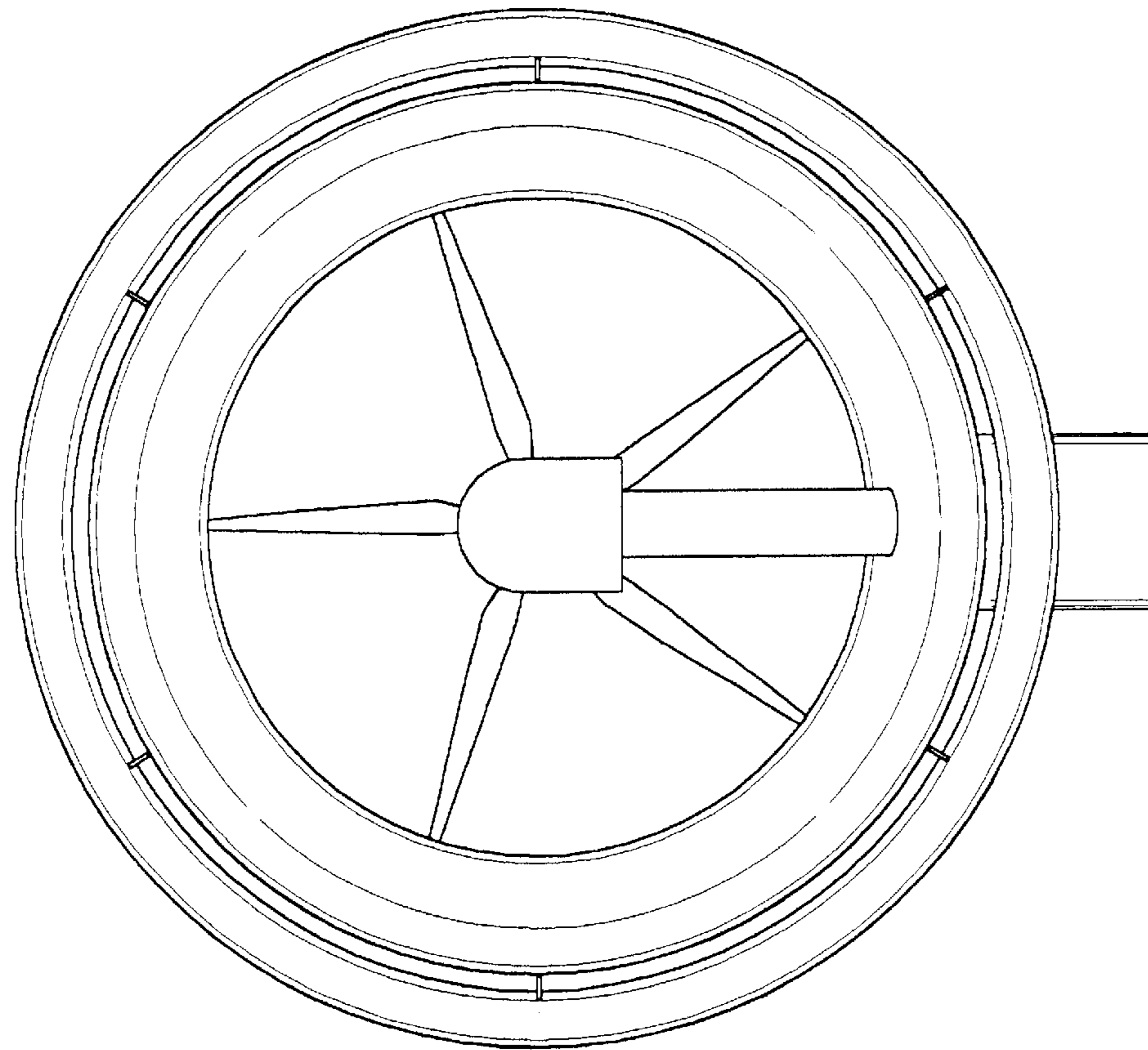


FIGURE 2

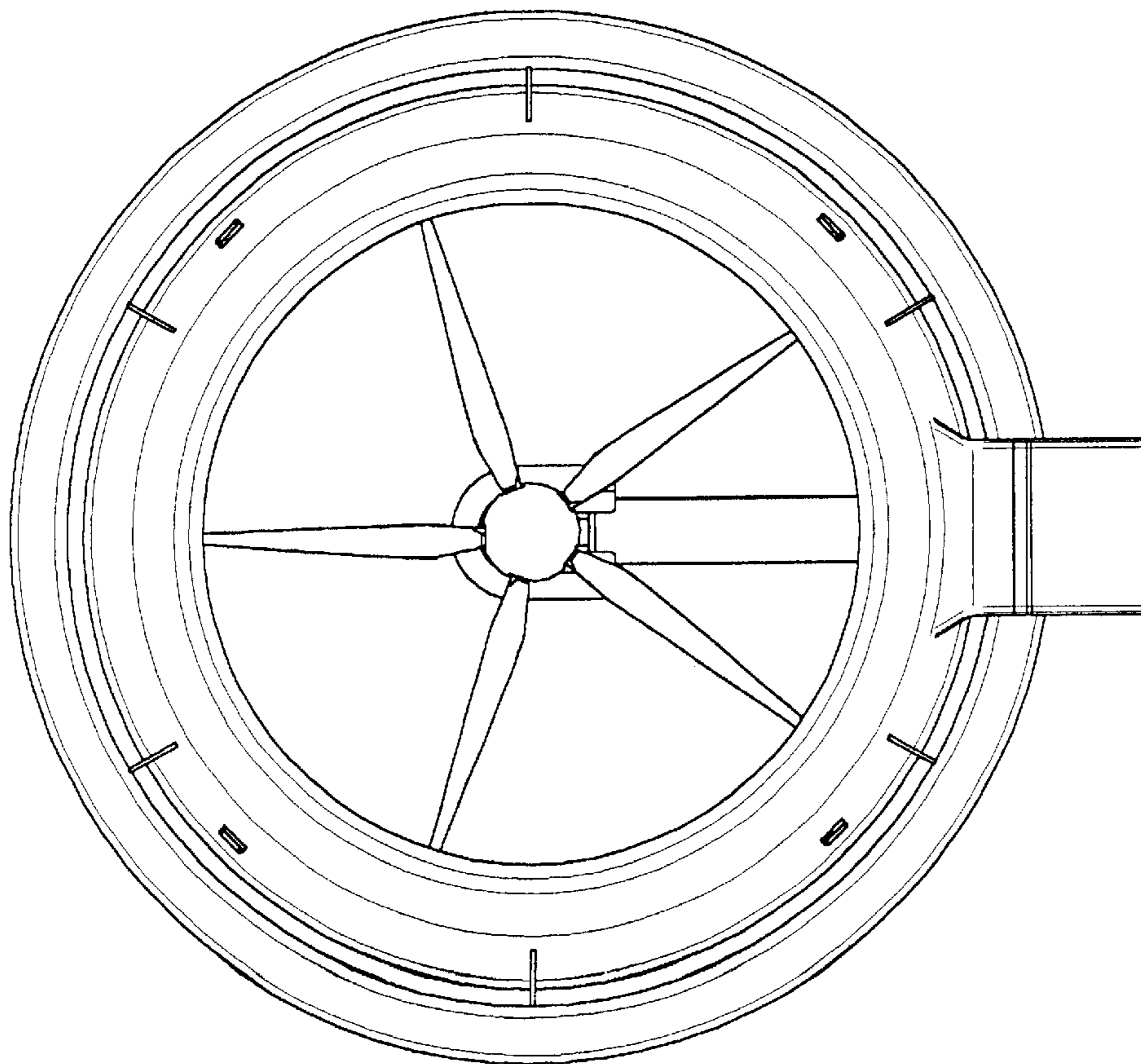


FIGURE 1

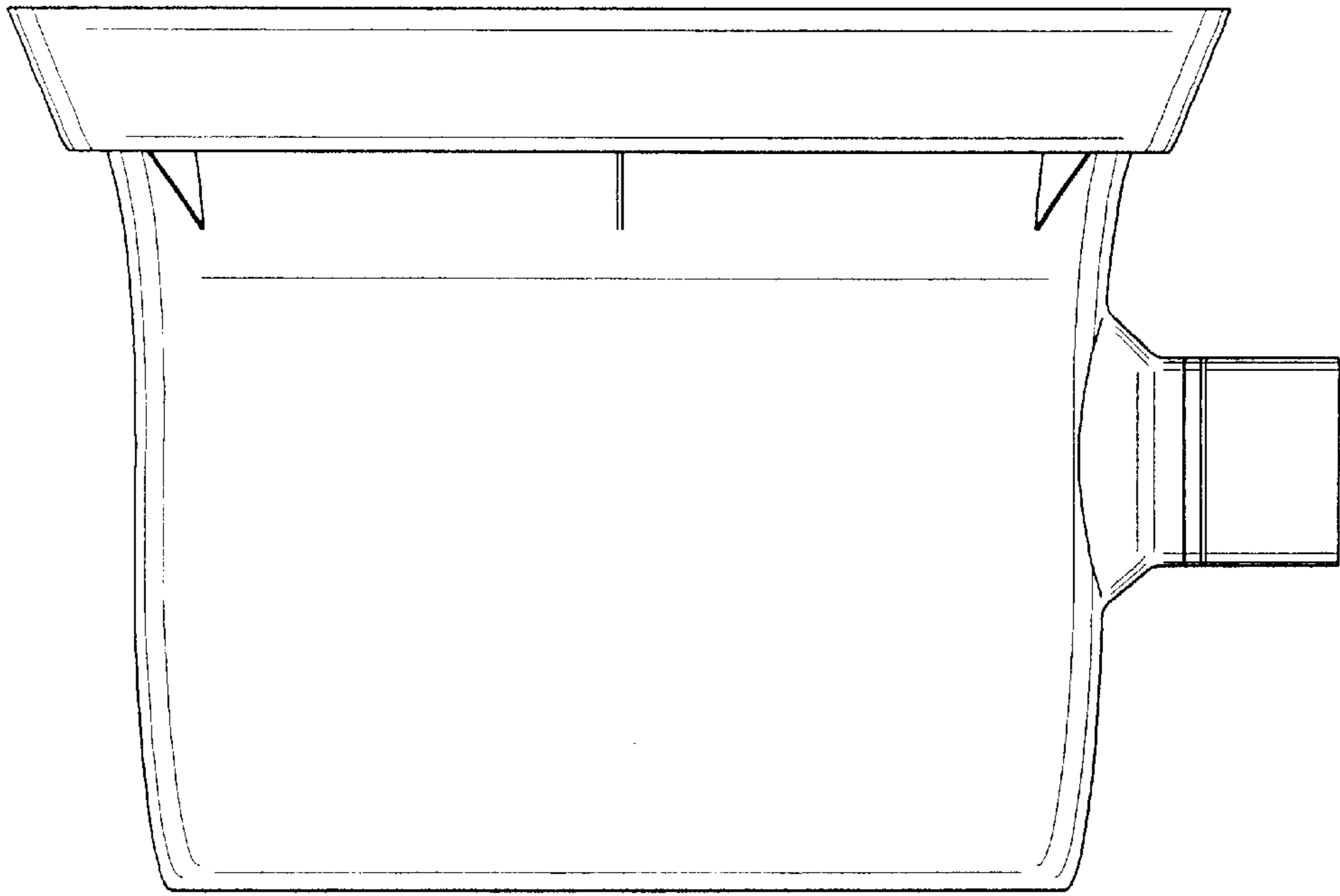


FIGURE 4

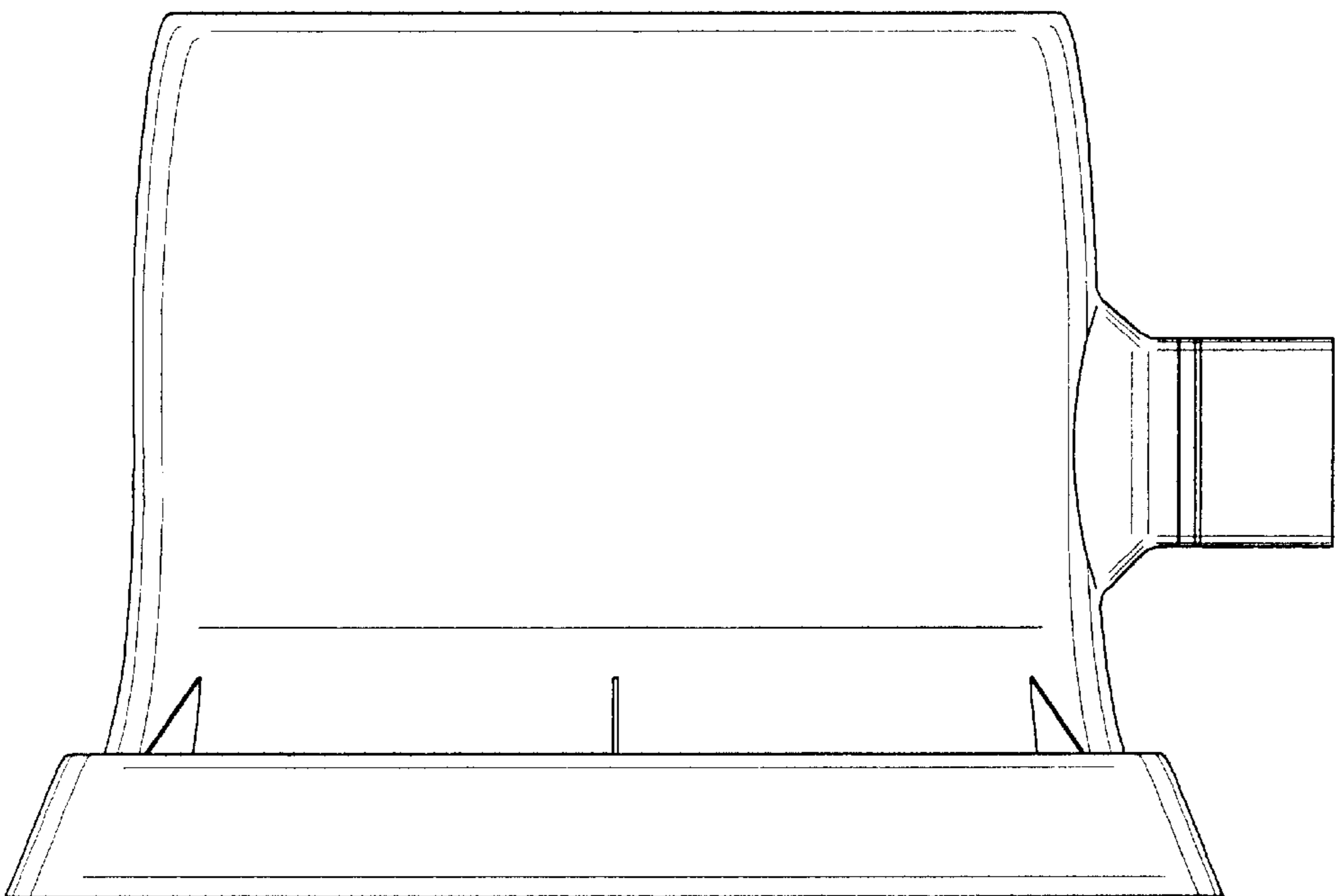


FIGURE 3

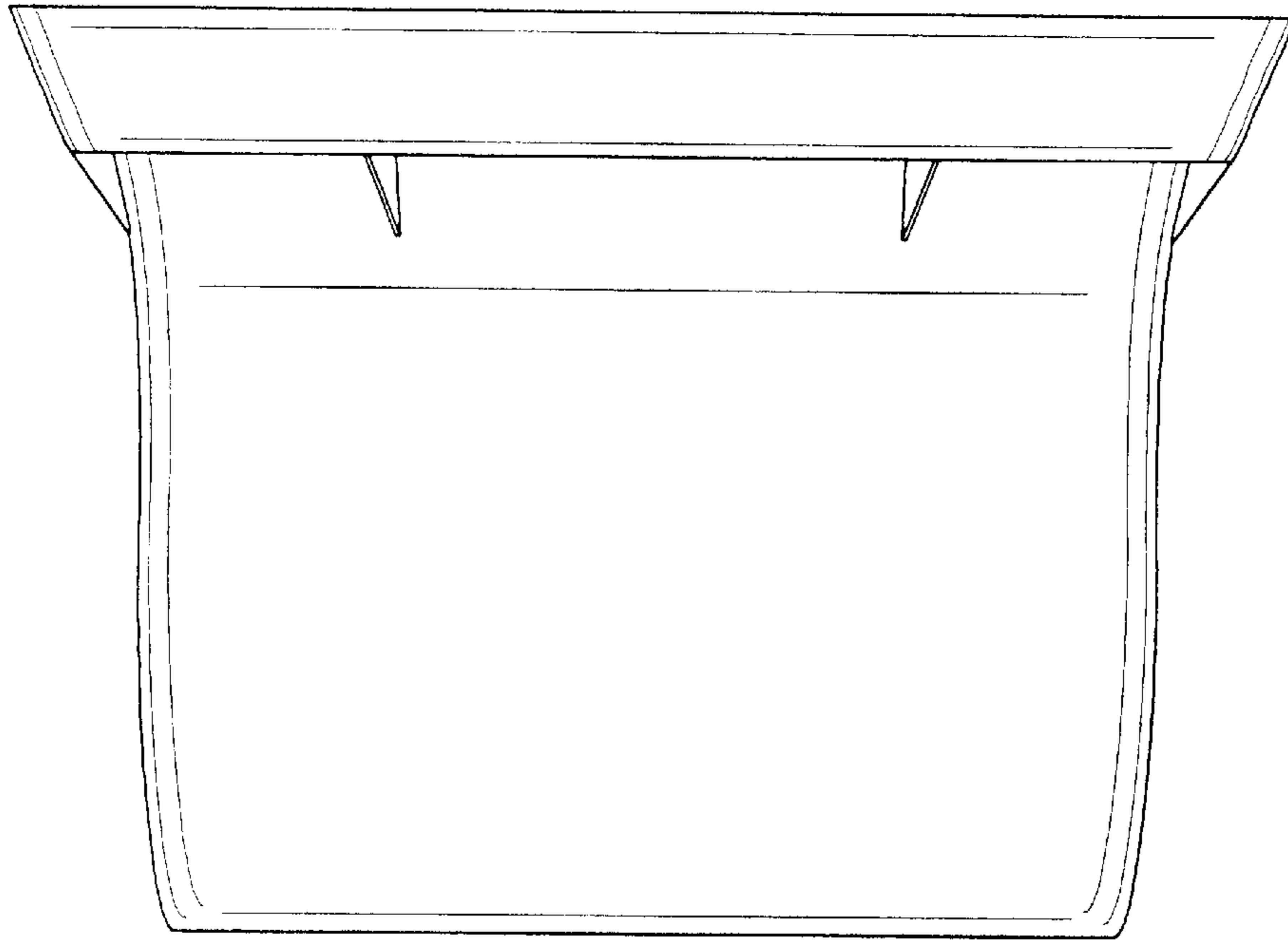


FIGURE 5

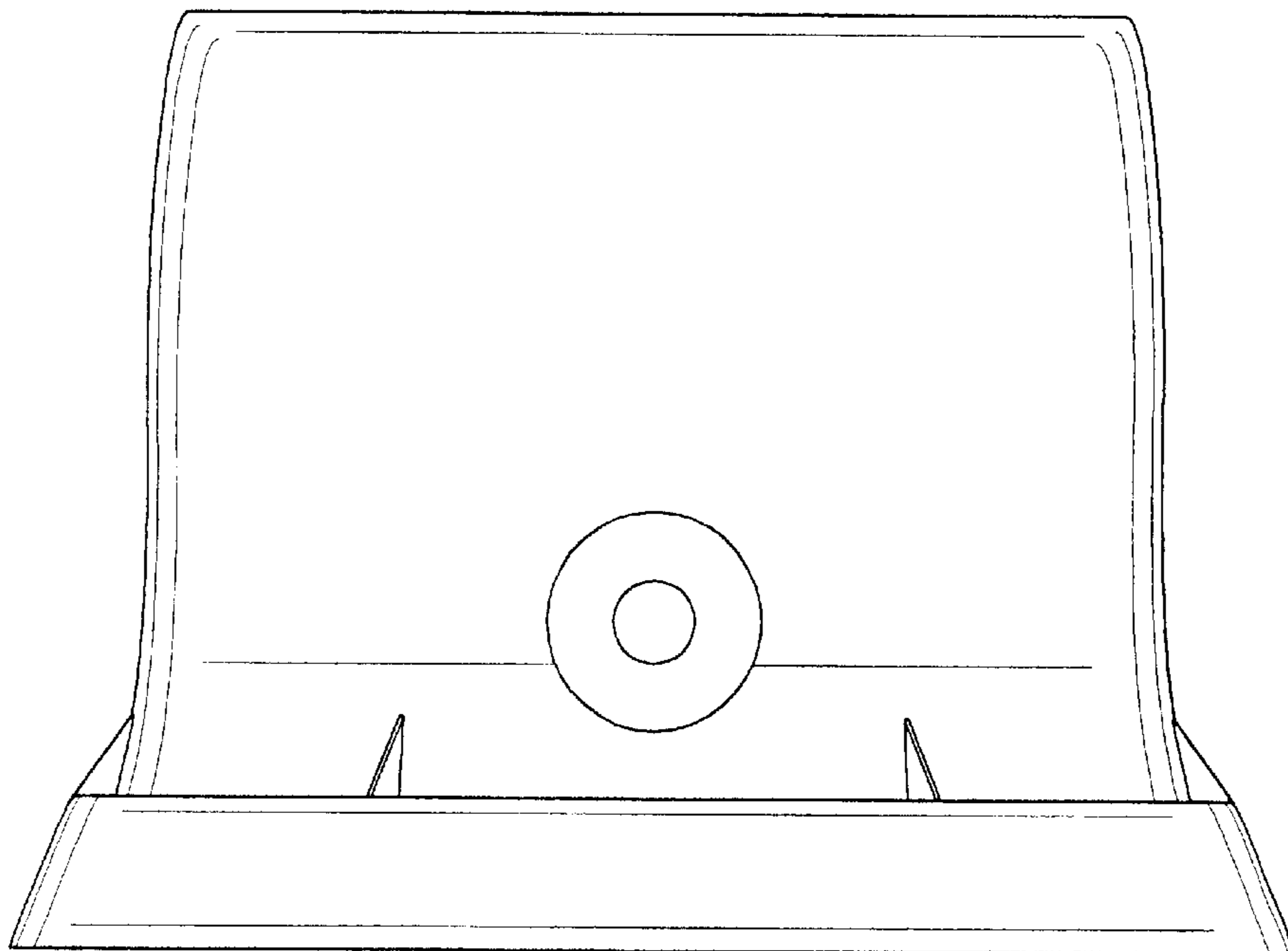


FIGURE 6

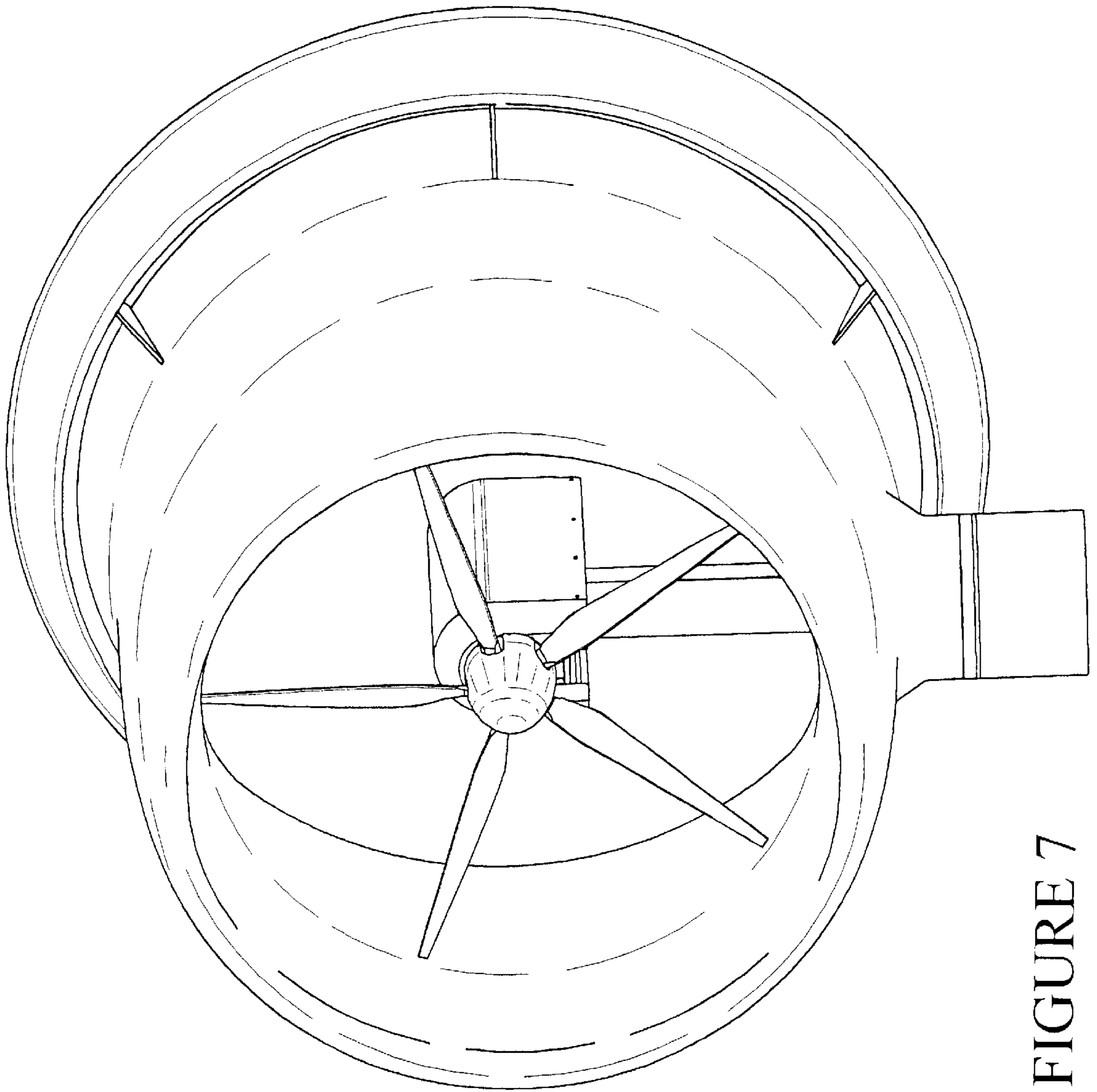


FIGURE 7

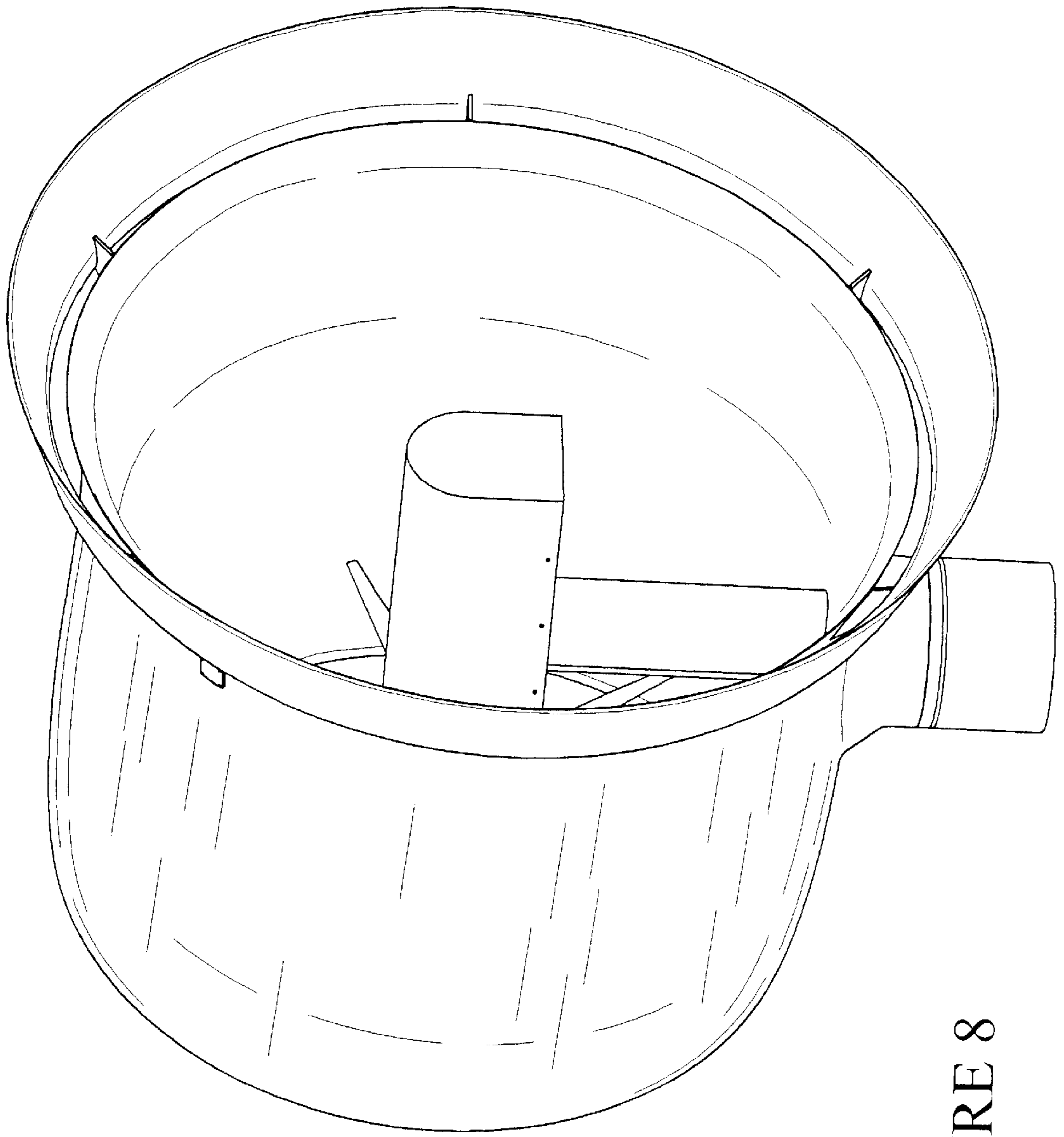


FIGURE 8