



US00D487059S

(12) **United States Design Patent**
Glasgow et al.

(10) **Patent No.:** **US D487,059 S**

(45) **Date of Patent:** **** Feb. 24, 2004**

(54) **BATTERY CHARGER**

2003/0090234 A1 * 5/2003 Glasgow et al. 320/107

* cited by examiner

(75) Inventors: **Kevin L. Glasgow**, Lomira, WI (US);
David J. Rozwadowski, Greenfield, WI (US);
Jeffrey M. Zeiler, Delafield, WI (US);
Tom G. Volk, Germantown, WI (US);
Scott H. Micoley, Cedarburg, WI (US);
Alan Bengtson, Shorewood, WI (US)

Primary Examiner—Joel Sincavage

(74) *Attorney, Agent, or Firm*—Michael Best & Friedrich LLP

(73) Assignee: **Milwaukee Electric Tool Corporation**,
Brookfield, WI (US)

(57) **CLAIM**

We claim the ornamental design for a battery charger, as shown and described.

(**) Term: **14 Years**

DESCRIPTION

(21) Appl. No.: **29/160,301**

FIG. 1 is a front perspective view of a charger embodying the invention.

(22) Filed: **May 7, 2002**

FIG. 2 is a front view of a charger shown in FIG. 1.

(51) **LOC (7) Cl.** **13-02**

FIG. 3 is a rear view of a charger shown in FIG. 1.

(52) **U.S. Cl.** **D13/107**

FIG. 4 is a top view of a charger shown in FIG. 1.

(58) **Field of Search** D13/107, 108,
D13/110; 320/107–115

FIG. 5 is a right side view of a charger shown in FIG. 1; and,
FIG. 6 is a bottom view of a charger shown in FIG. 1.

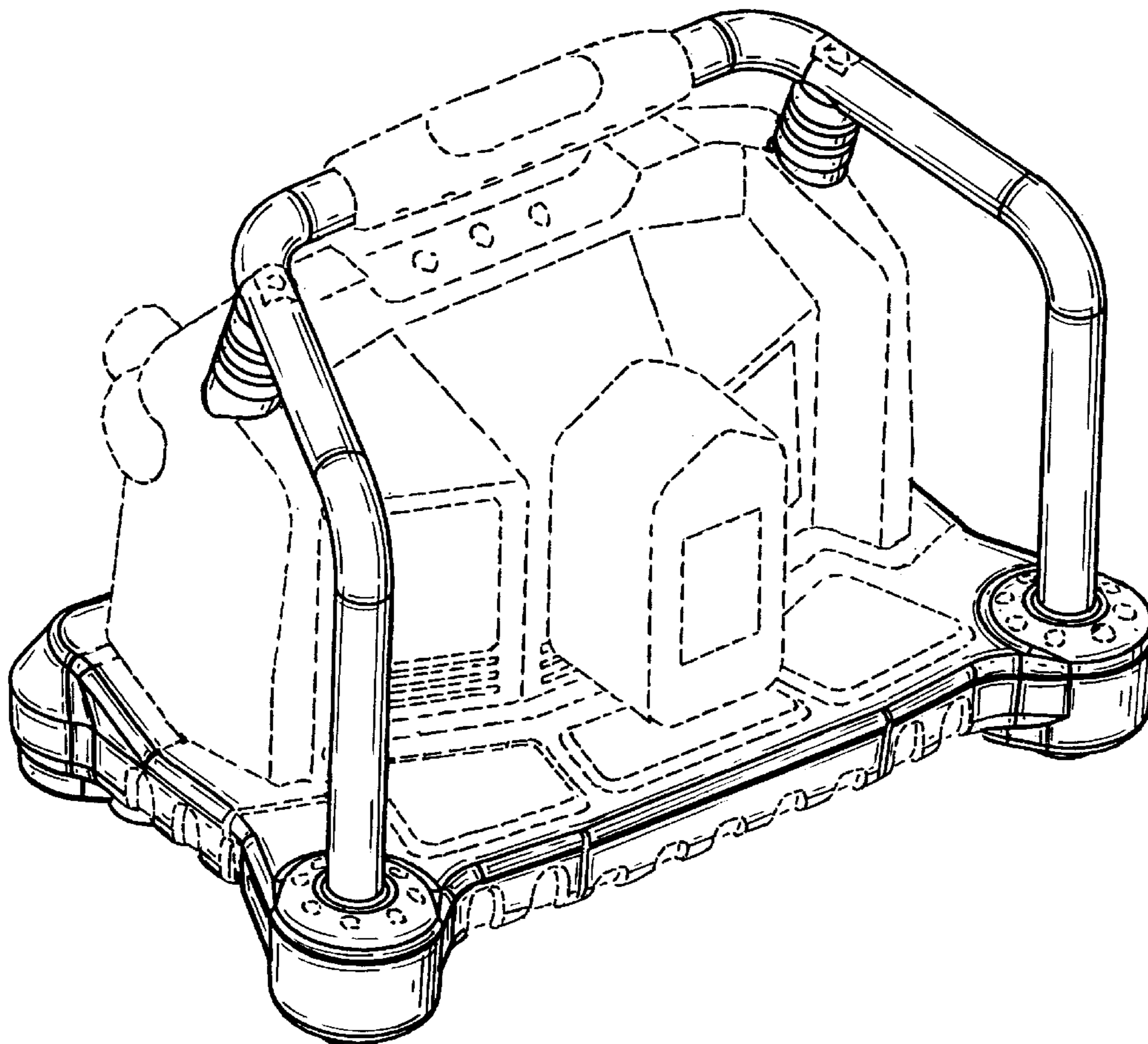
(56) **References Cited**

Portions of the handle, the housing, and the base, are not considered part of the design sought to be patented, and accordingly, are shown in broken lines. The left side view is a mirror image of the right side view. The appearance of the battery charger from the left side forms no part of the claimed design.

U.S. PATENT DOCUMENTS

D418,836 S * 1/2000 Matt D14/196

1 Claim, 6 Drawing Sheets



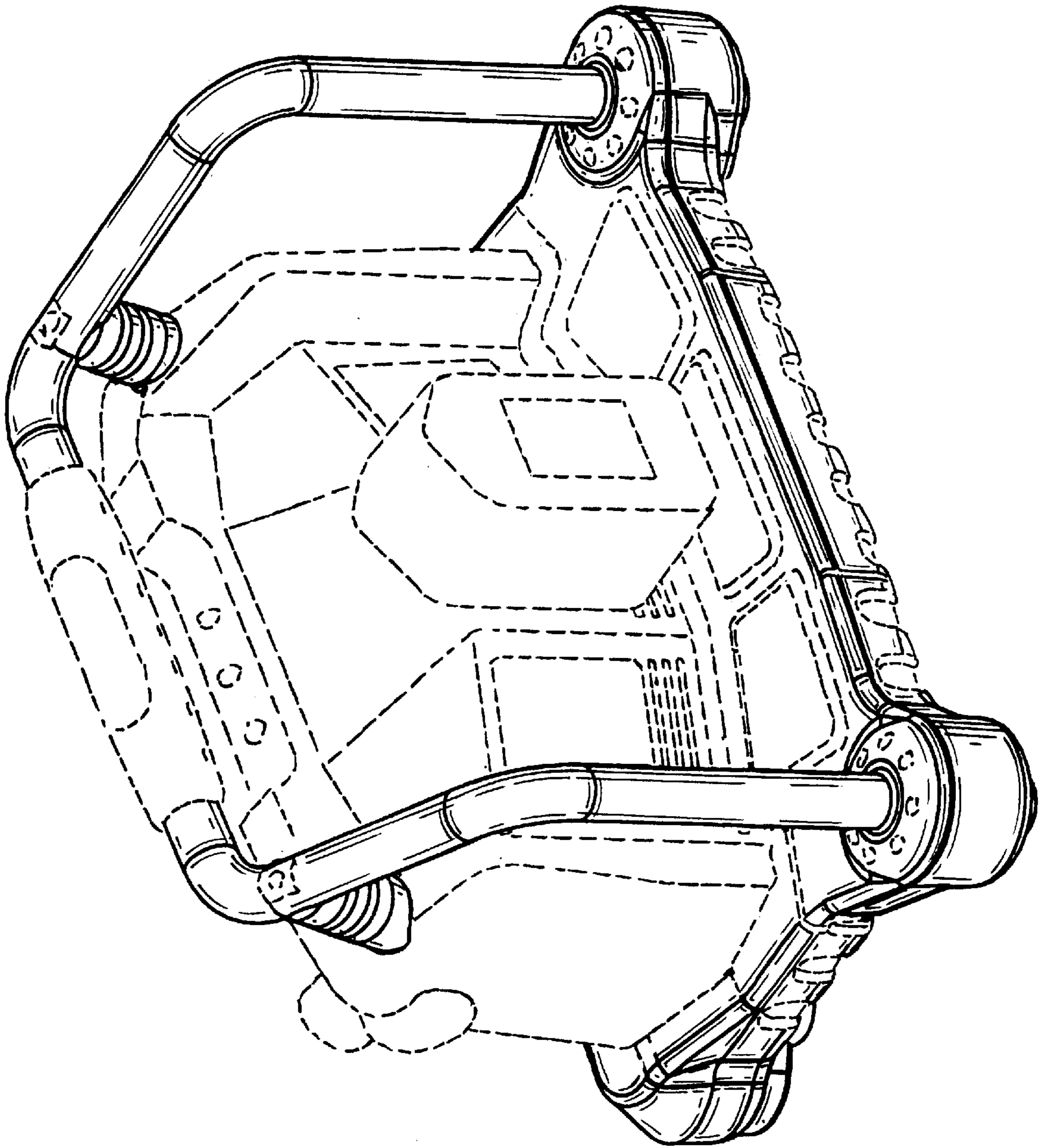


Fig. 1

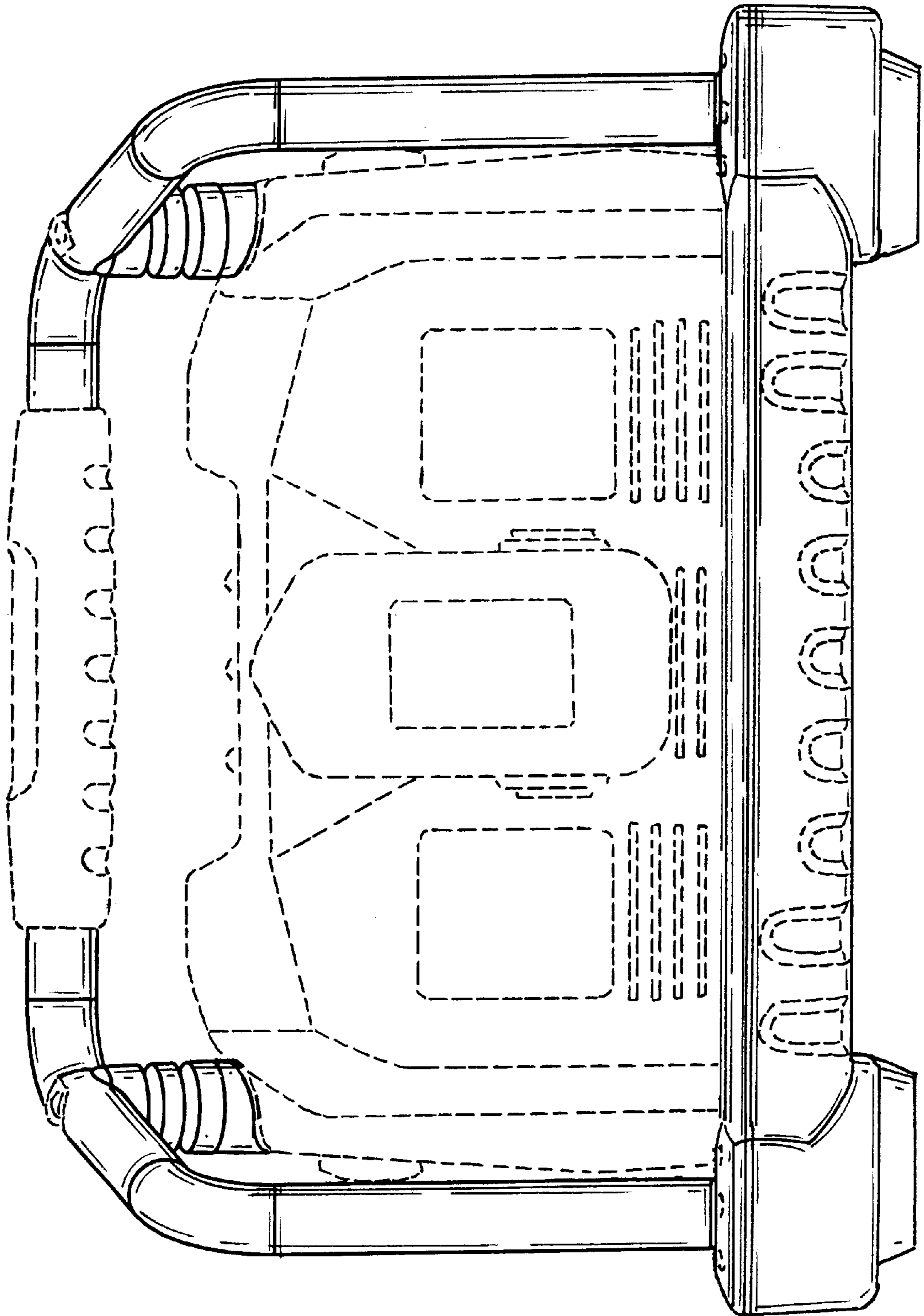


Fig. 2.

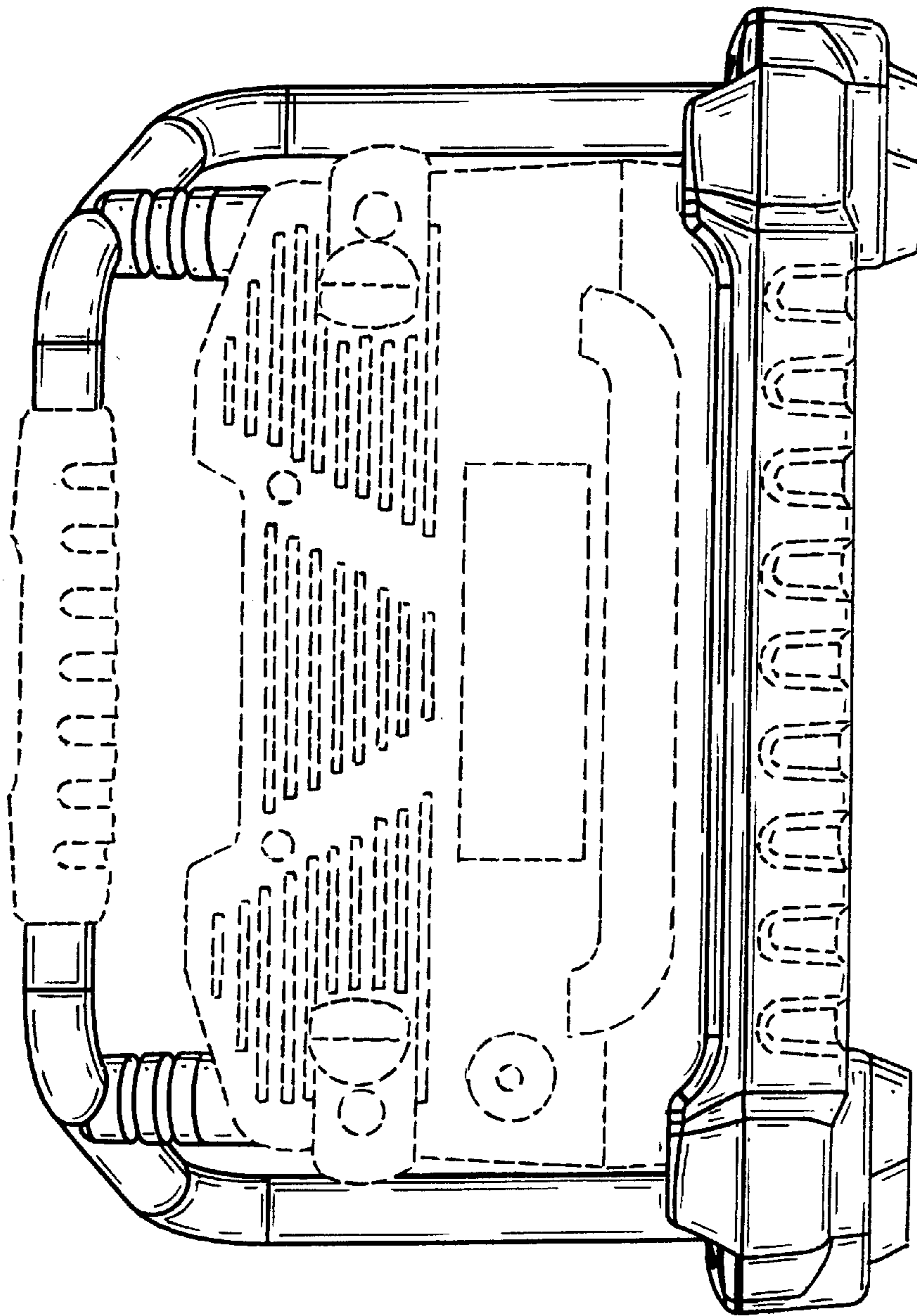


Fig. 3

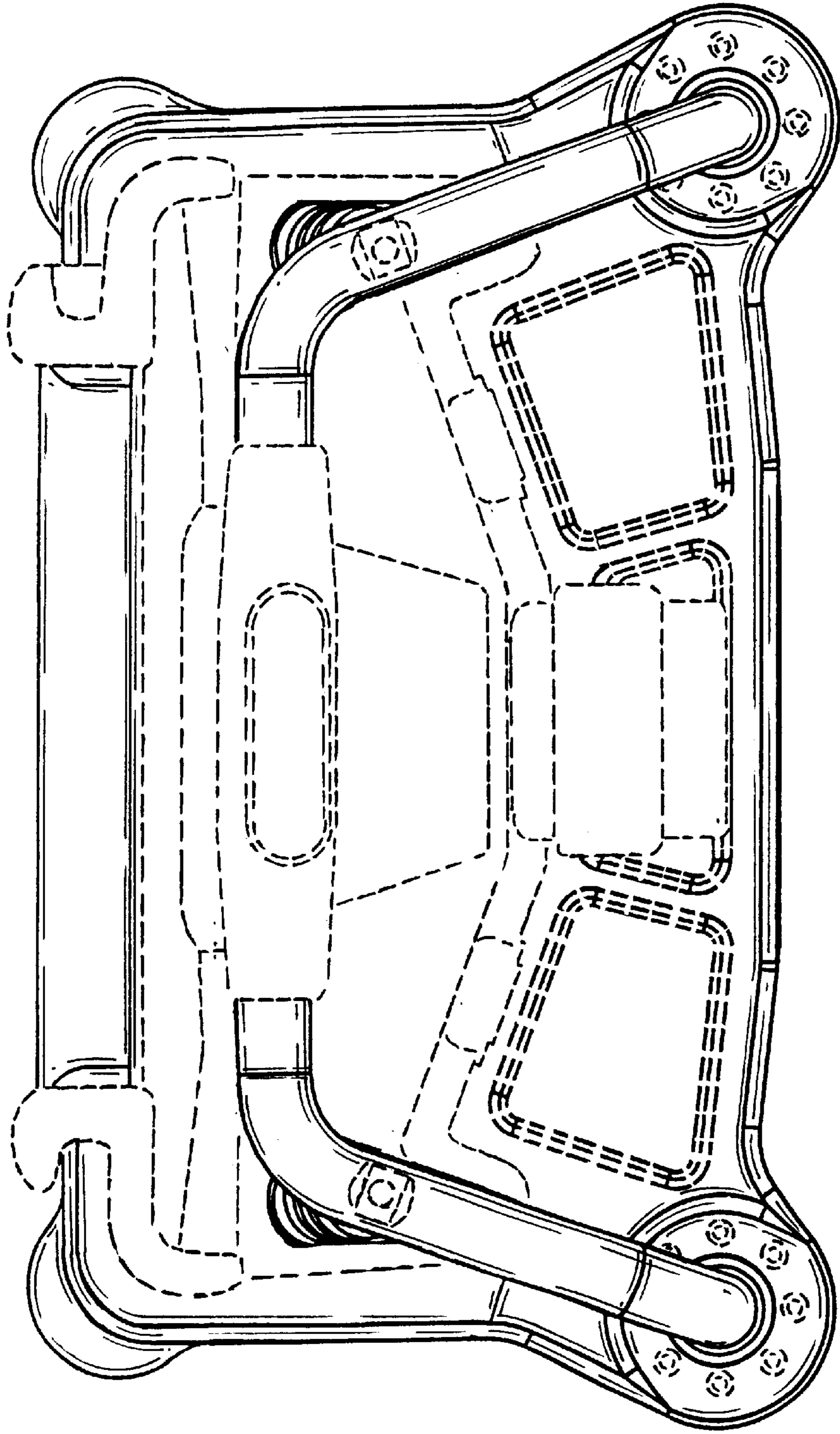
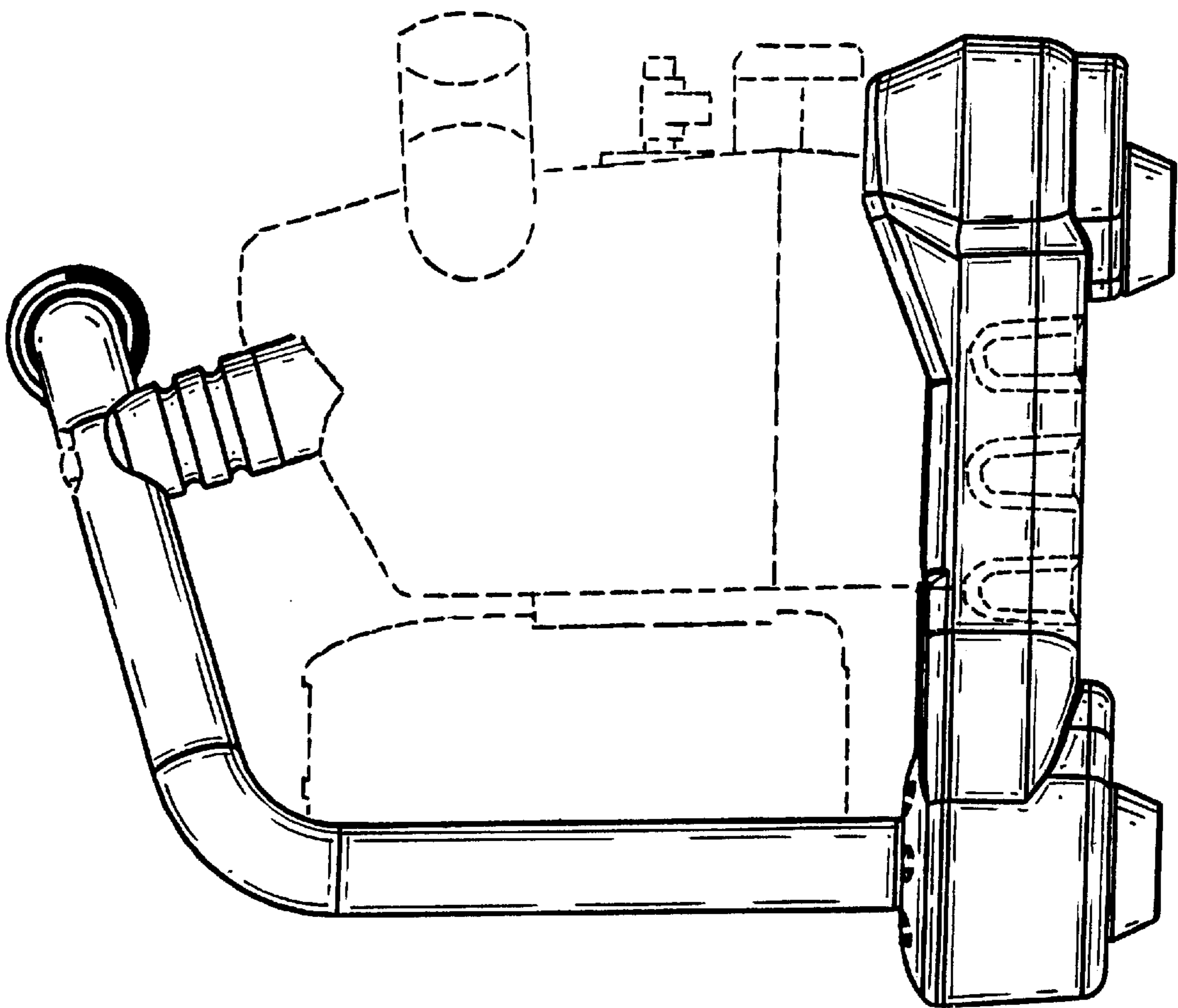


FIG. 4

Fig. 5



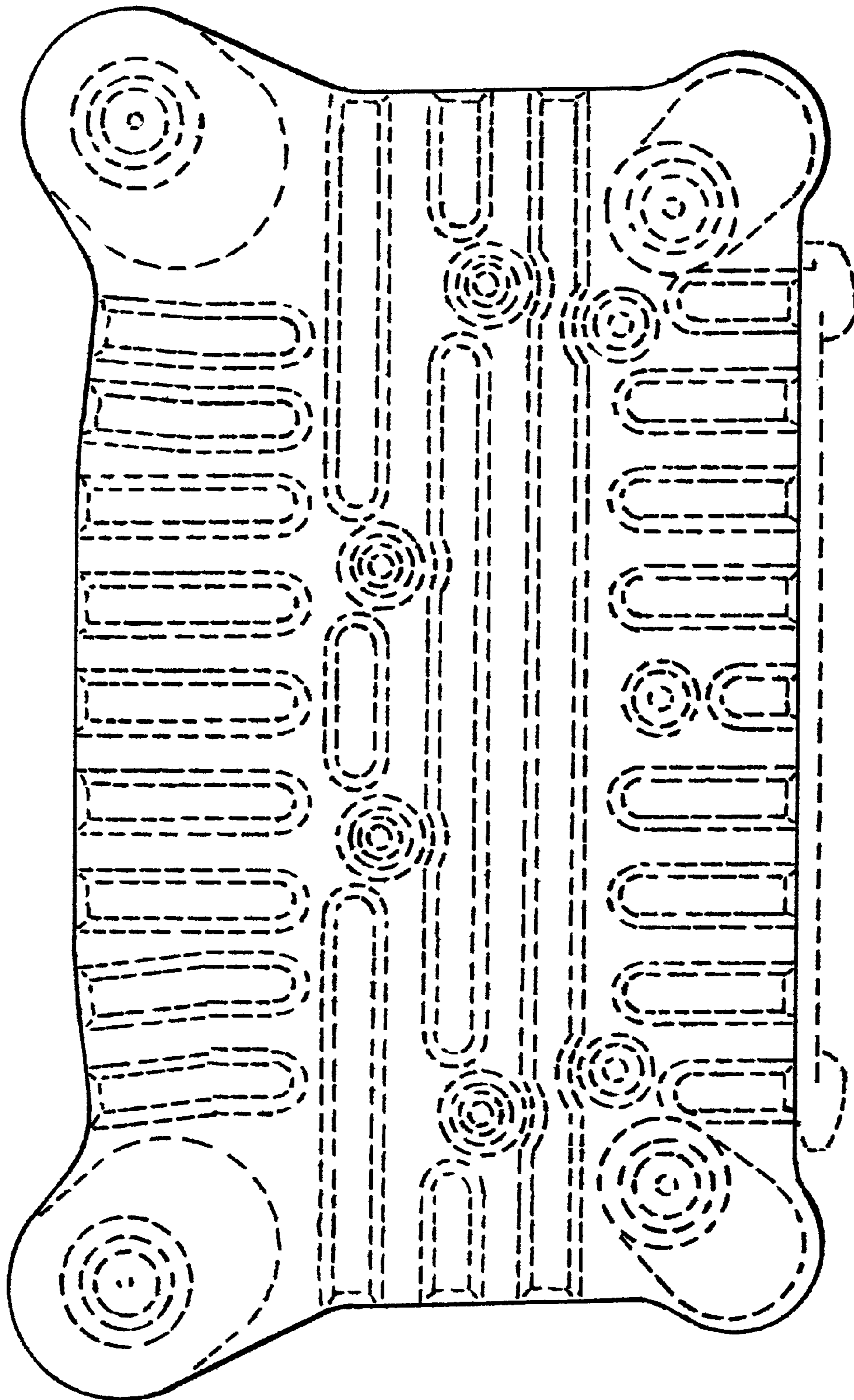


FIG. 6

UNITED STATES PATENT AND TRADEMARK OFFICE
CERTIFICATE OF CORRECTION

PATENT NO. : Des. 487,059 S
DATED : February 24, 2004
INVENTOR(S) : Kevin L. Glasgow et al.

Page 1 of 1

It is certified that error appears in the above-identified patent and that said Letters Patent is hereby corrected as shown below:

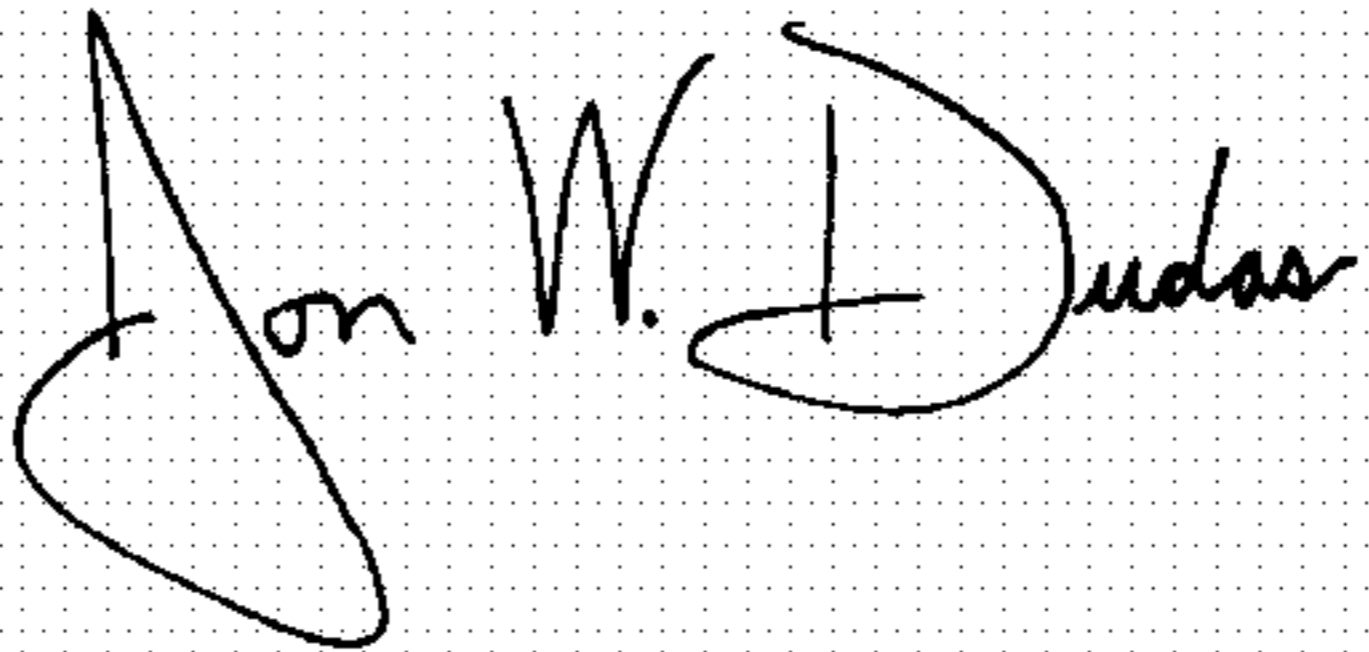
Title page,

Item [56], **References Cited**, U.S. PATENT DOCUMENTS, add the following references:

6,456,837 A	9/2002	Domes
6,427,070 A	7/2002	Smith
6,346,793 A	2/2002	Shibata et al.
6,308,059 A	10/2001	Domes
5,959,434 A	9/1999	Park et al.
5,780,991 A	7/1998	Brake et al.
5,757,163 A	5/1998	Brotto et al.
5,747,964 A	5/1998	Turnbull
5,734,253 A	3/1998	Brake et al.
5,717,309 A	2/1998	Cho
5,684,384 A	11/1997	Barkat et al.
5,640,078 A	6/1997	Kou et al.
5,621,301 A	4/1997	Allen et al.
5,539,297 A	7/1996	Fiebig
5,525,888 A	6/1996	Toya
<hr/>		
5,486,749 A	1/1996	Brainard
5,391,972 A	2/1995	Gardner et al.
5,191,276 A	3/1993	Zainaleain
5,144,217 A	9/1992	Gardner et al.
5,039,929 A	8/1991	Veistroffer et al.
5,028,859 A	7/1991	Johnson et al.
4,997,731 A	3/1991	Machida et al.
4,641,077 A	2/1987	Pascaloff
4,641,076 A	2/1987	Linden
4,639,655 A	1/1987	Westhaver et al.
4,315,364 A	2/1982	Leffingwell
4,288,733 A	9/1981	Bilanceri et al.
4,237,409 A	12/1980	Sugalski
4,229,686 A	10/1980	Mullersman et al.
4,211,968 A	7/1980	Sugalski
4,009,429 A	2/1977	Mullersman
3,579,075 A	5/1971	Floyd
2,266,686 A	12/1941	Emanuel
D424,515 S	5/2000	Sage

Signed and Sealed this

Twenty-fourth Day of August, 2004



JON W. DUDAS

Director of the United States Patent and Trademark Office