



US00D487058S

(12) **United States Design Patent**
Roberts

(10) **Patent No.:** **US D487,058 S**

(45) **Date of Patent:** **** Feb. 24, 2004**

(54) **BATTERY PACK**

D468,259 S * 1/2003 Garrity et al. D13/119
D468,260 S * 1/2003 Lee D13/119

(76) Inventor: **Brower M. Roberts**, 2109 Bayshore Blvd., #804, Tampa, FL (US) 33606

* cited by examiner

(**) Term: **14 Years**

Primary Examiner—Joel Sincavage
(74) *Attorney, Agent, or Firm*—Larson & Larson, PA; James E. Larson

(21) Appl. No.: **29/178,630**

(22) Filed: **Mar. 28, 2003**

(57) **CLAIM**

(51) **LOC (7) Cl.** **13-02**

The ornamental design for a battery pack, as shown and described therein.

(52) **U.S. Cl.** **D13/103**

(58) **Field of Search** D13/103, 119;
429/96–100, 159, 163, 176; 439/500

DESCRIPTION

(56) **References Cited**

U.S. PATENT DOCUMENTS

3,859,140	A	*	1/1975	Schmidt	429/99
4,926,365	A	*	5/1990	Hsieh	364/708.1
5,583,529	A	*	12/1996	Satou	345/87
5,654,870	A	*	8/1997	Havener	439/500
5,863,674	A	*	1/1999	Yamanaka	429/100
D439,879	S	*	4/2001	Rotundo	D13/103
6,238,818	B1	*	5/2001	Dalton	439/96
6,274,266	B1	*	8/2001	Wang	429/163
6,293,819	B1	*	9/2001	Wu	439/500

FIG. 1 is a top plan view of a battery pack showing my novel design;
FIG. 2 is a bottom plan view thereof;
FIG. 3 is a left end view thereof;
FIG. 4 is a right end view thereof;
FIG. 5 is a front elevational view thereof;
FIG. 6 is a rear elevational view thereof; and,
FIG. 7 is a perspective view of a battery pack of the present invention, as shown being used with an electronic device. The broken lines shown in FIG. 7 are for illustrative purposes only, and form no part of the claimed design.

1 Claim, 4 Drawing Sheets

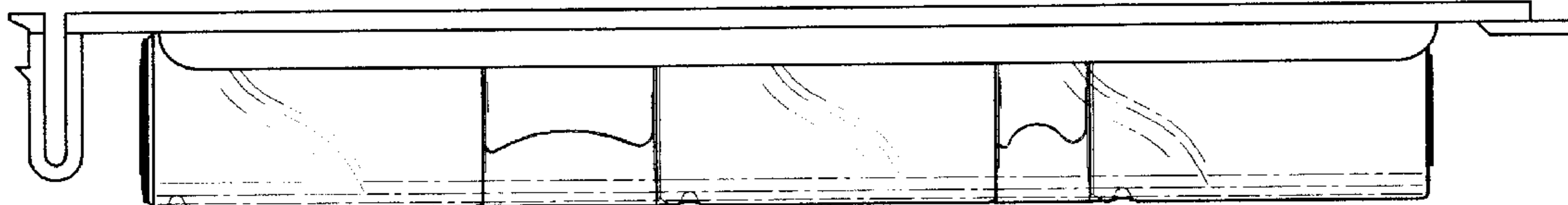
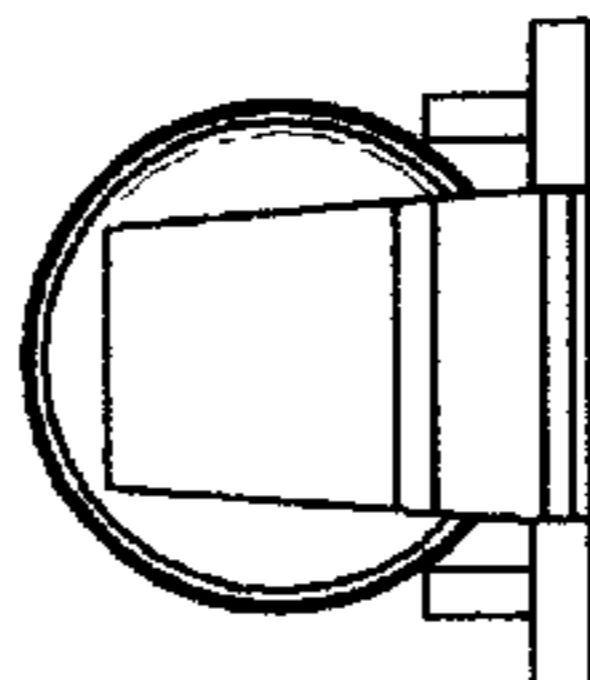
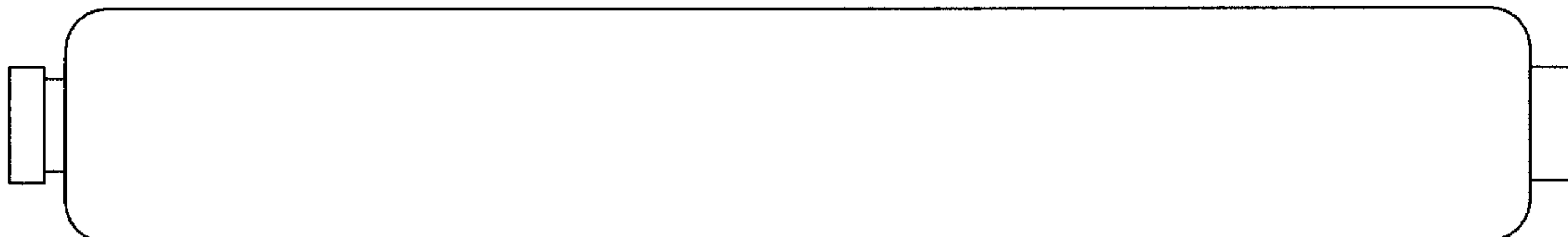




FIG. 1

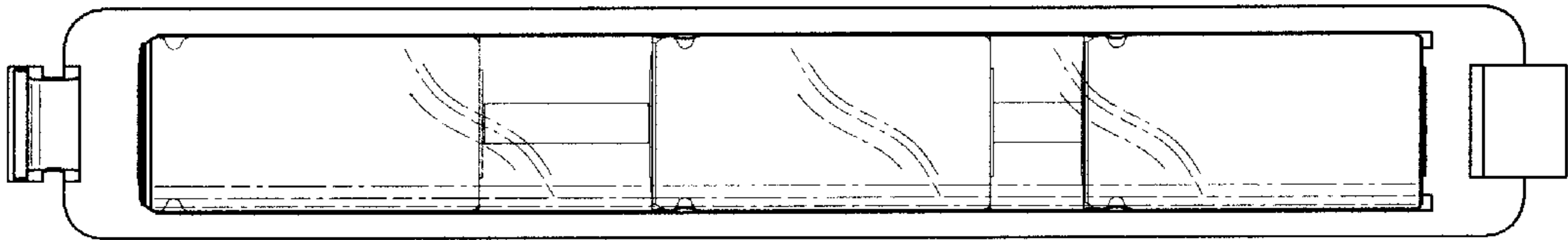


FIG. 2

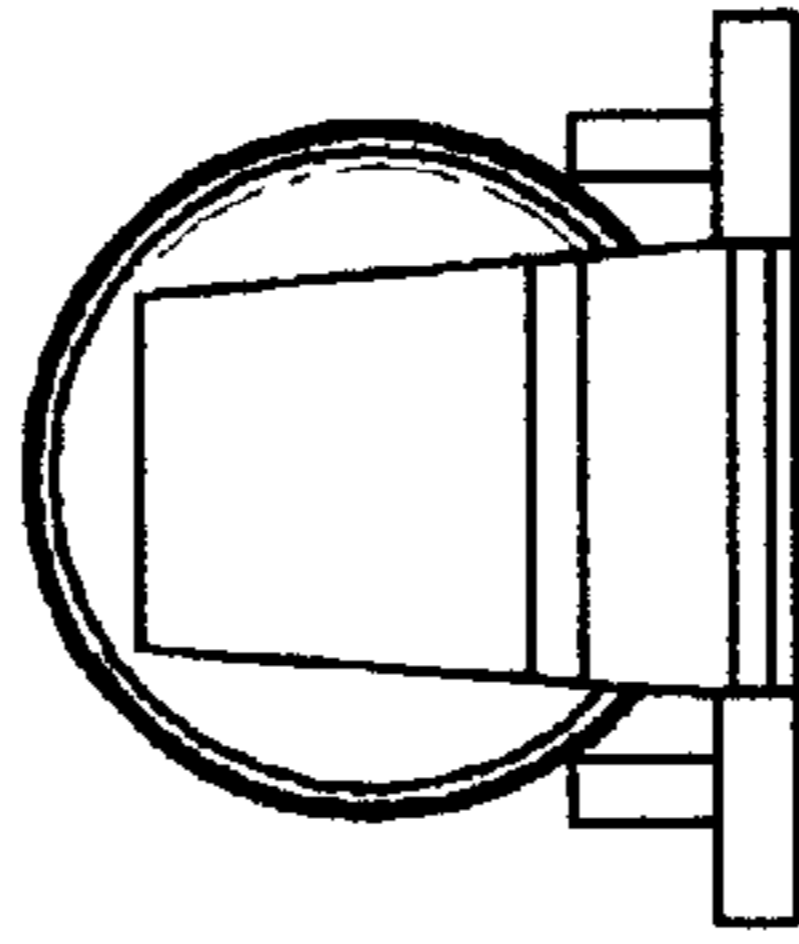


FIG. 3

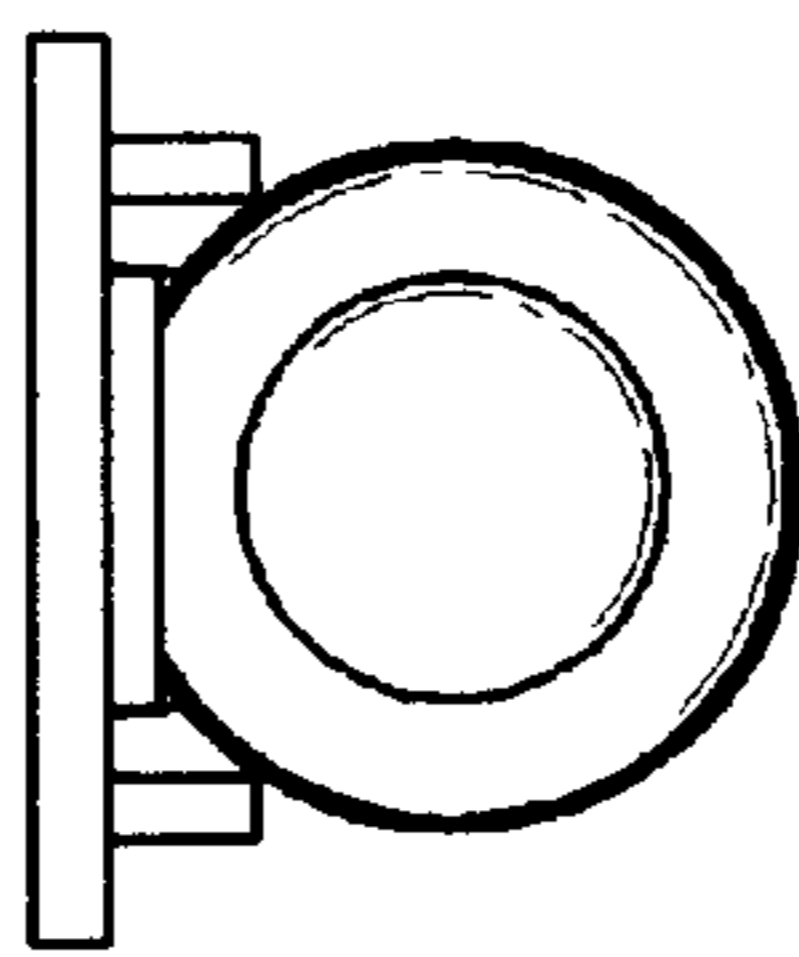


FIG. 4

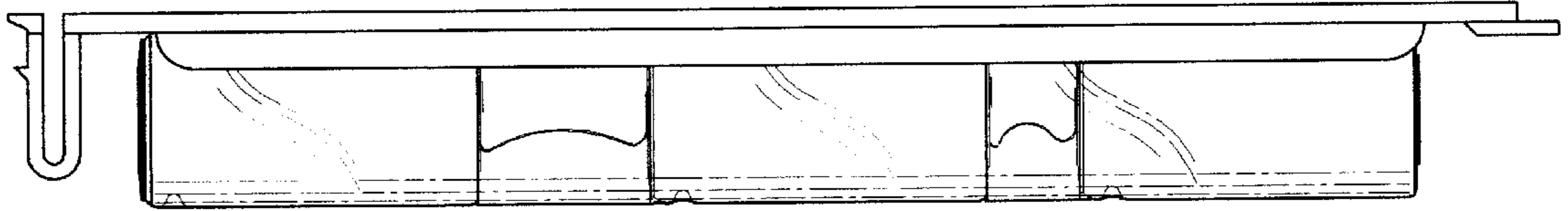


FIG. 5

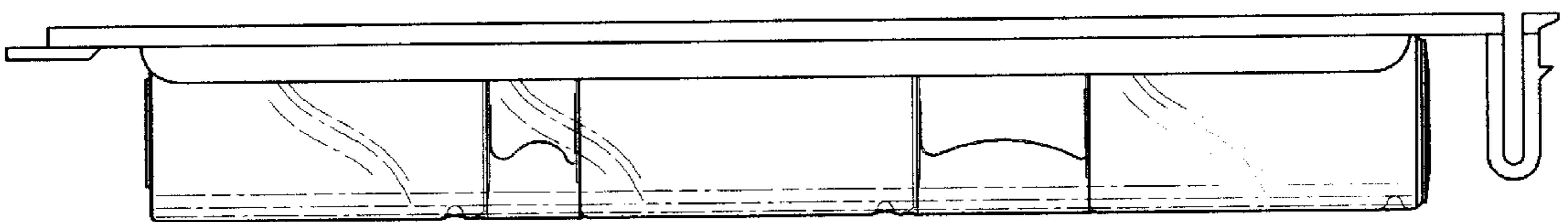


FIG. 6

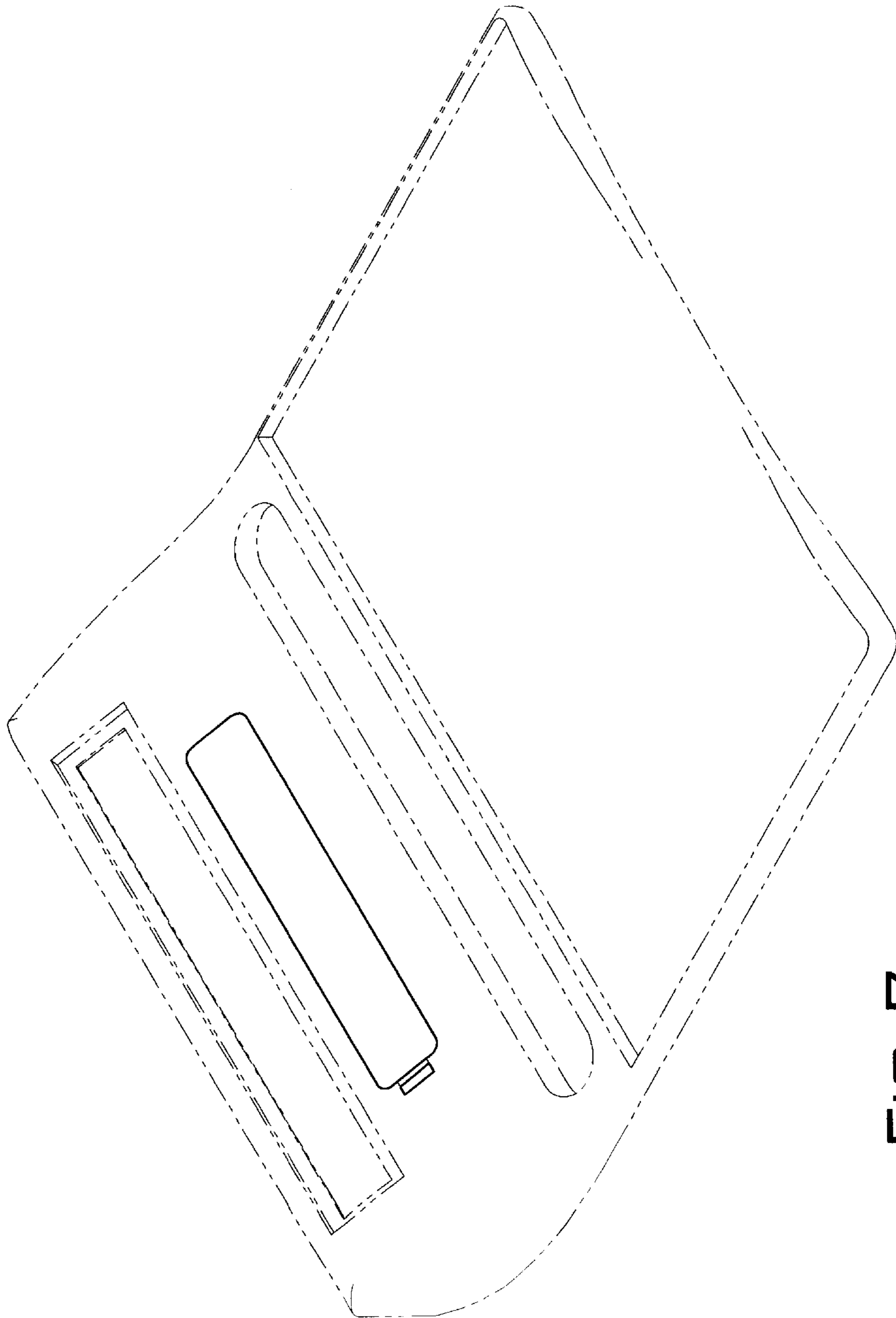


FIG. 7