



US00D487057S

(12) **United States Design Patent**
Rooney et al.

(10) **Patent No.:** **US D487,057 S**

(45) **Date of Patent:** **** Feb. 24, 2004**

(54) **TIRE TREAD**

(75) Inventors: **Timothy Michael Rooney**, Munroe Falls, OH (US); **Stephanie Carol Brown**, Akron, OH (US); **Michael Alois Kolowski**, Mogadore, OH (US); **Paul Bryan Maxwell**, Kent, OH (US); **Billy Joe Ratliff**, Clinton, OH (US)

(73) Assignee: **The Goodyear Tire & Rubber Company**, Akron, OH (US)

(**) Term: **14 Years**

(21) Appl. No.: **29/179,572**

(22) Filed: **Apr. 10, 2003**

(51) **LOC (7) Cl.** **12-15**

(52) **U.S. Cl.** **D12/579**

(58) **Field of Search** D12/512, 544, D12/545, 577, 579, 580; 152/209.1, 209.9, 209.12, 209.28

(56) **References Cited**

U.S. PATENT DOCUMENTS

- D337,977 S * 8/1993 Shinohara et al. D12/580
- D337,978 S * 8/1993 Himuro et al. D12/579
- D411,150 S * 6/1999 Rooney D12/544

- D412,687 S * 8/1999 Ratliff, Jr. D12/512
- D413,287 S 8/1999 Brown et al. 12/147
- D413,288 S 8/1999 Brown et al. 12/147
- D414,727 S 10/1999 Brown et al. 12/146
- 6,530,405 B1 * 3/2003 Brown et al. 152/209.16

* cited by examiner

Primary Examiner—Robert M. Spear
(74) *Attorney, Agent, or Firm*—David L. King

(57) **CLAIM**

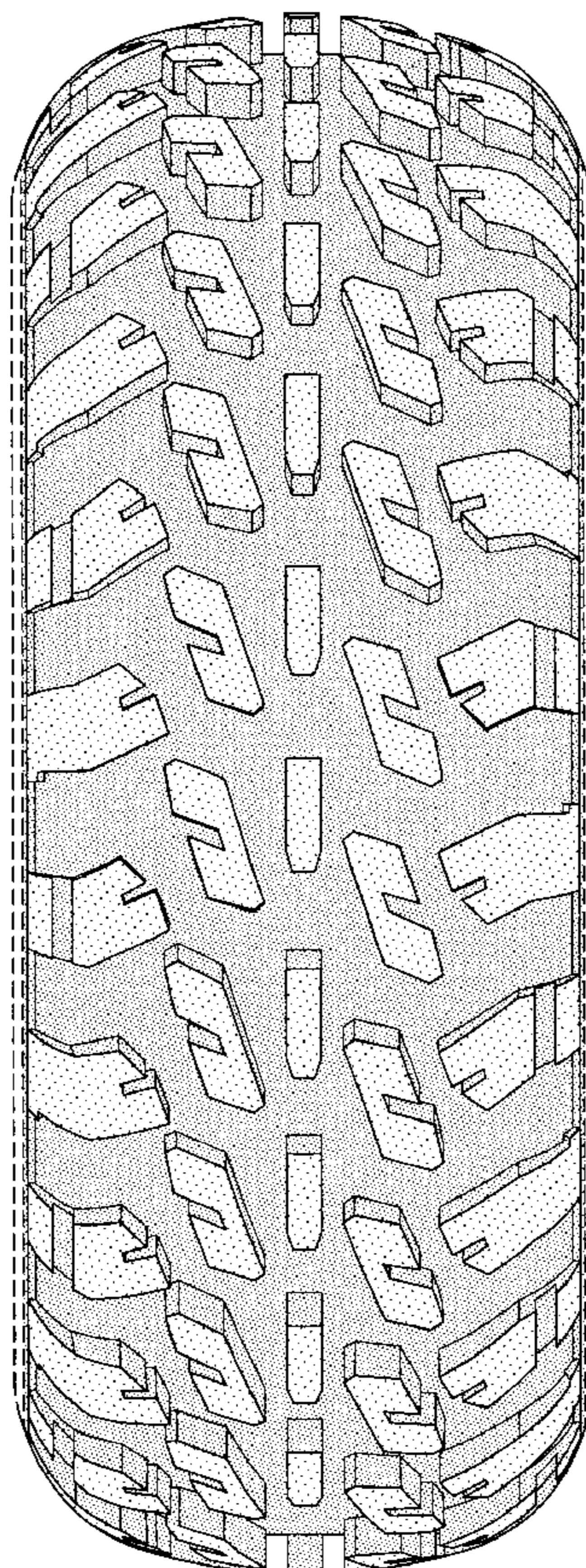
The ornamental Design for a tire tread, as shown and described.

DESCRIPTION

FIG. 1 is a perspective view of a tire tread showing our new design, it being understood that the pattern repeats uniformly throughout the circumference of the tread;
 FIG. 2 is a front elevational view thereof;
 FIG. 3 is a right side elevational view thereof;
 FIG. 4 is a left side elevational view thereof; and,
 FIG. 5 is an enlarged fragmentary front elevational view thereof.

In the drawings, the broken lines defining the sidewall, inner bead and the peripheral boundary between the tire tread and the sidewall are for illustrative purposes only and form no part of the claimed design.

1 Claim, 5 Drawing Sheets



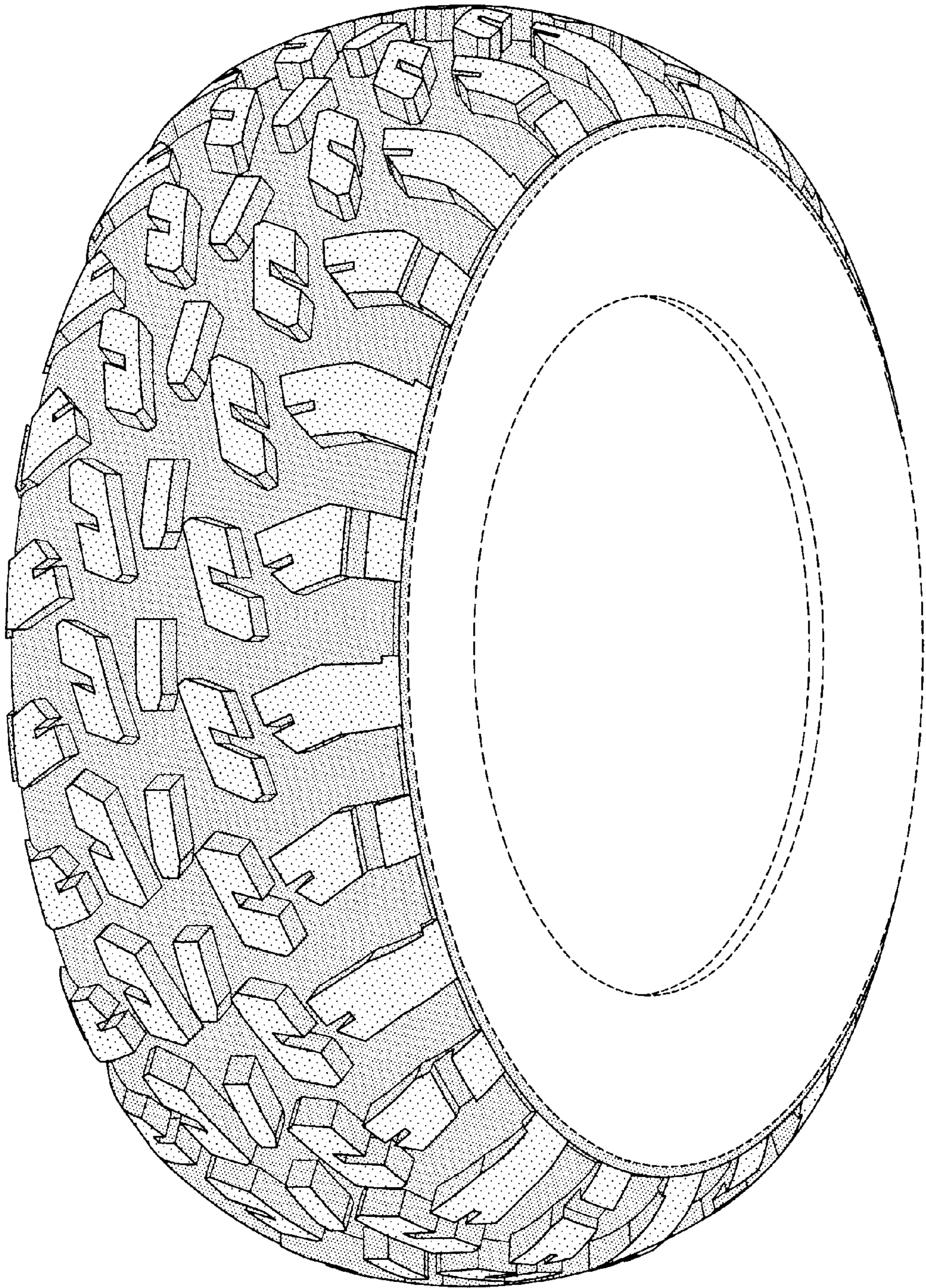


FIG-1

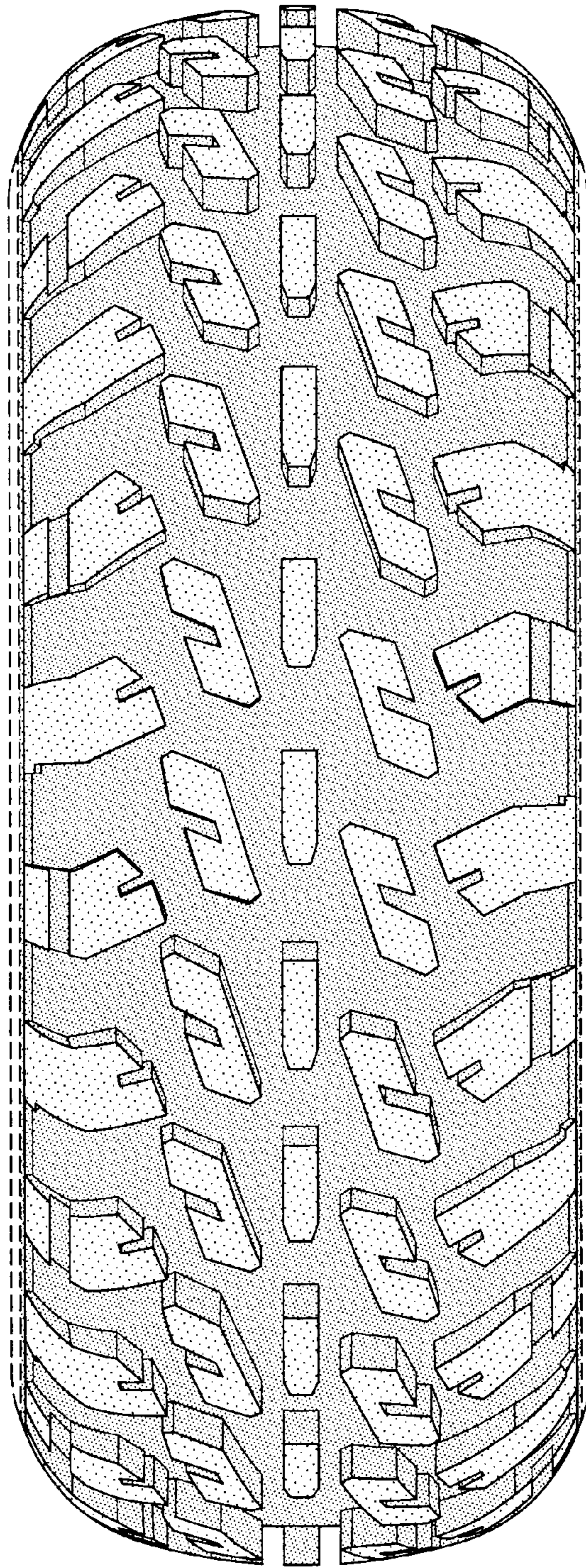


FIG-2

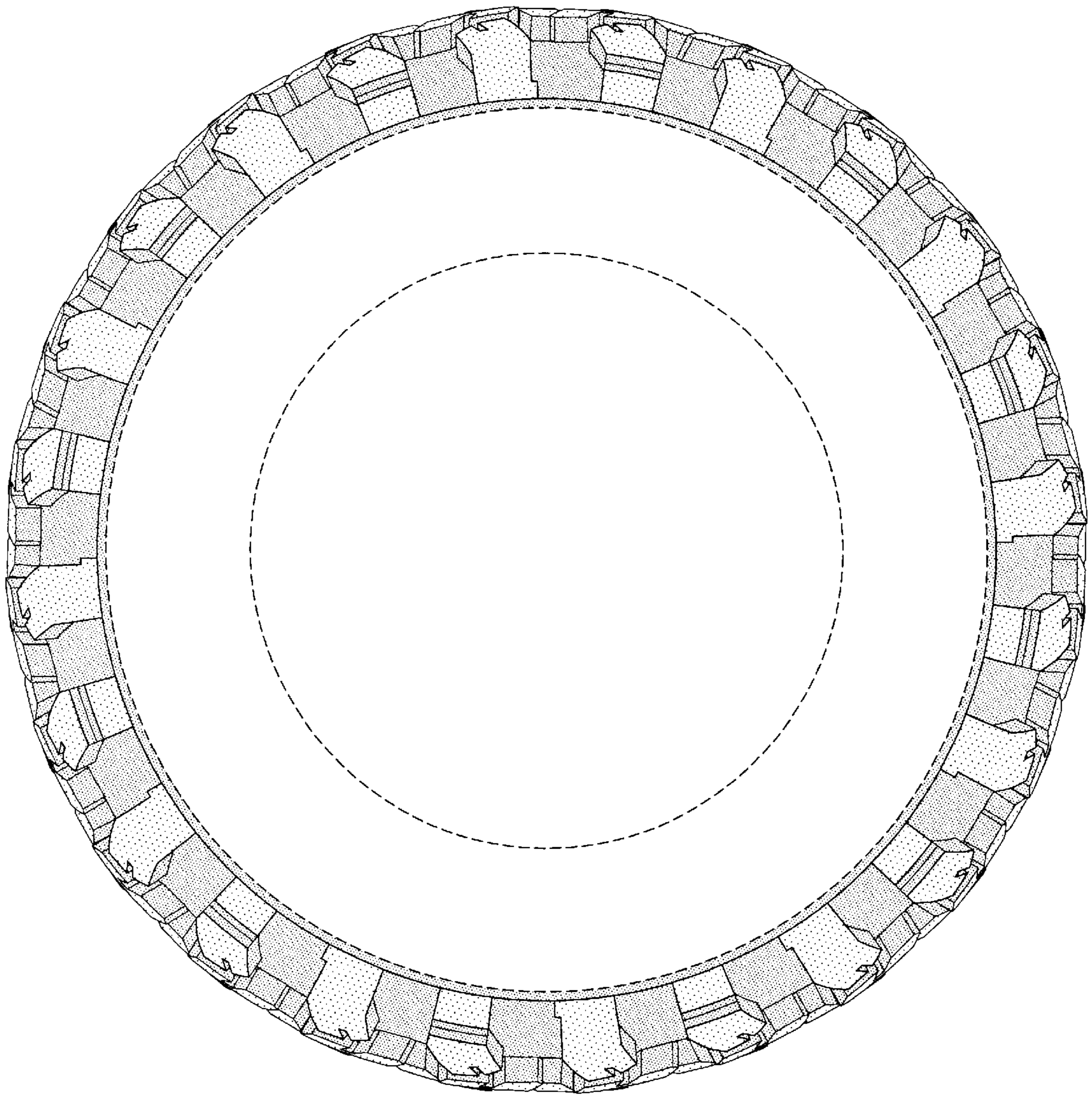


FIG-3

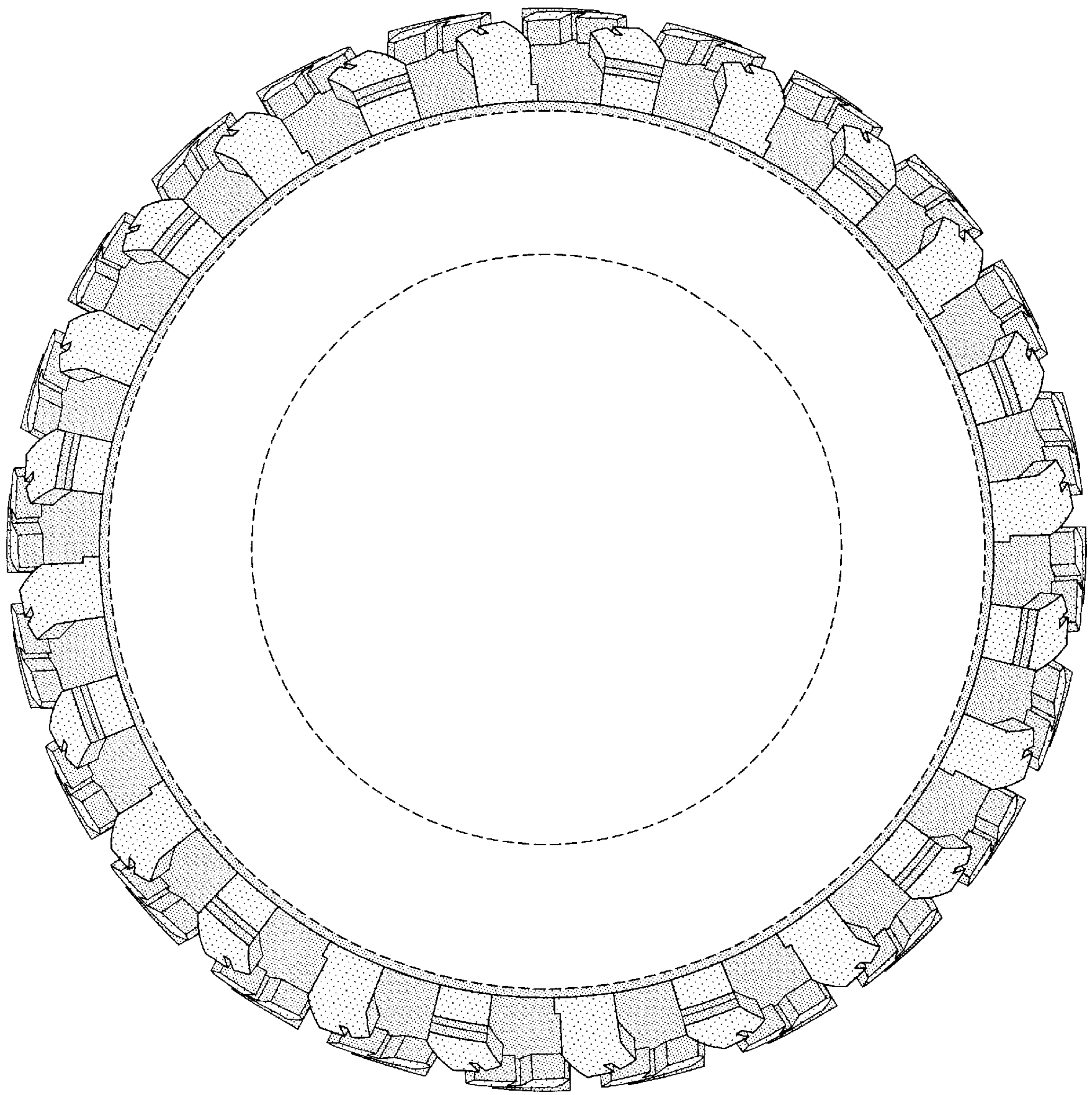


FIG-4

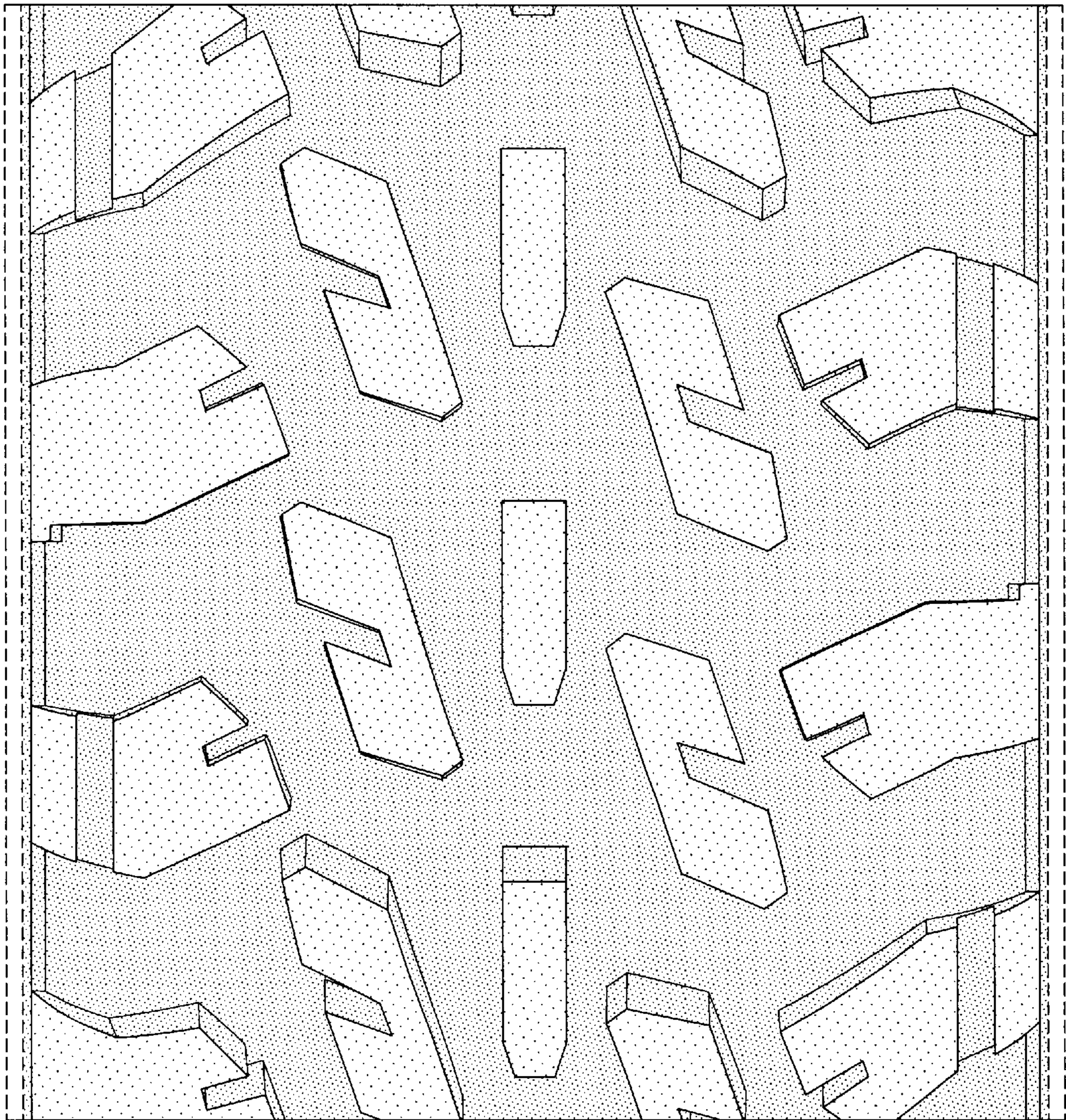


FIG-5