



US00D487049S

(12) **United States Design Patent**
Ziaylek, Jr. et al.

(10) **Patent No.:** **US D487,049 S**

(45) **Date of Patent:** **** Feb. 24, 2004**

(54) **APPARATUS FOR RETAINING ELONGATED OBJECTS RELATIVE TO A VEHICULAR BODY AND PROVIDING ACCESS THERETO**

(76) Inventors: **Theodore Ziaylek, Jr.**, 140 Riverview Dr., Yardley, PA (US) 19067; **Michael P. Ziaylek**, 15 Cold Spring Ave., Yardley, PA (US) 19067; **Theodore P. Ziaylek**, 152 Riverview Ave., Yardley, PA (US) 19067

(**) Term: **14 Years**

(21) Appl. No.: **29/179,794**

(22) Filed: **Apr. 15, 2003**

(51) **LOC (7) Cl.** **12-16**

(52) **U.S. Cl.** **D12/406**

(58) **Field of Search** D12/400, 406, D12/414, 414.1; 224/310, 315, 324, 402-405, 552, 553, 539, 542; 414/462, 546, 680, 537-538; 296/3, 37.1; 248/210; 280/4, 901

(56) **References Cited**

U.S. PATENT DOCUMENTS

1,991,900	A	*	2/1935	Larsen	224/310
3,777,921	A	*	12/1973	Nelson	224/405
D245,247	S	*	8/1977	Russell et al.	D12/414
4,057,281	A	*	11/1977	Garrett	296/3
5,058,791	A	*	10/1991	Henriquez et al.	224/310
5,297,912	A	*	3/1994	Levi	414/462
5,651,484	A	*	7/1997	Fugman	224/405

5,924,835	A	*	7/1999	Ross	414/462
D436,915	S	*	1/2001	Burger	D12/406
D444,446	S	*	7/2001	Carter	D12/406
6,315,181	B1	*	11/2001	Bradley et al.	224/310
6,427,889	B1	*	8/2002	Levi	224/315
D463,358	S	*	9/2002	Thomas	D12/406
D473,839	S	*	4/2003	Atencio	D12/414.1

* cited by examiner

Primary Examiner—Stacia Cadmus

(74) *Attorney, Agent, or Firm*—Sperry, Zoda & Kane

(57) **CLAIM**

The ornamental design for an apparatus for retaining elongated objects relative to a vehicular body and providing access thereto, as shown and described.

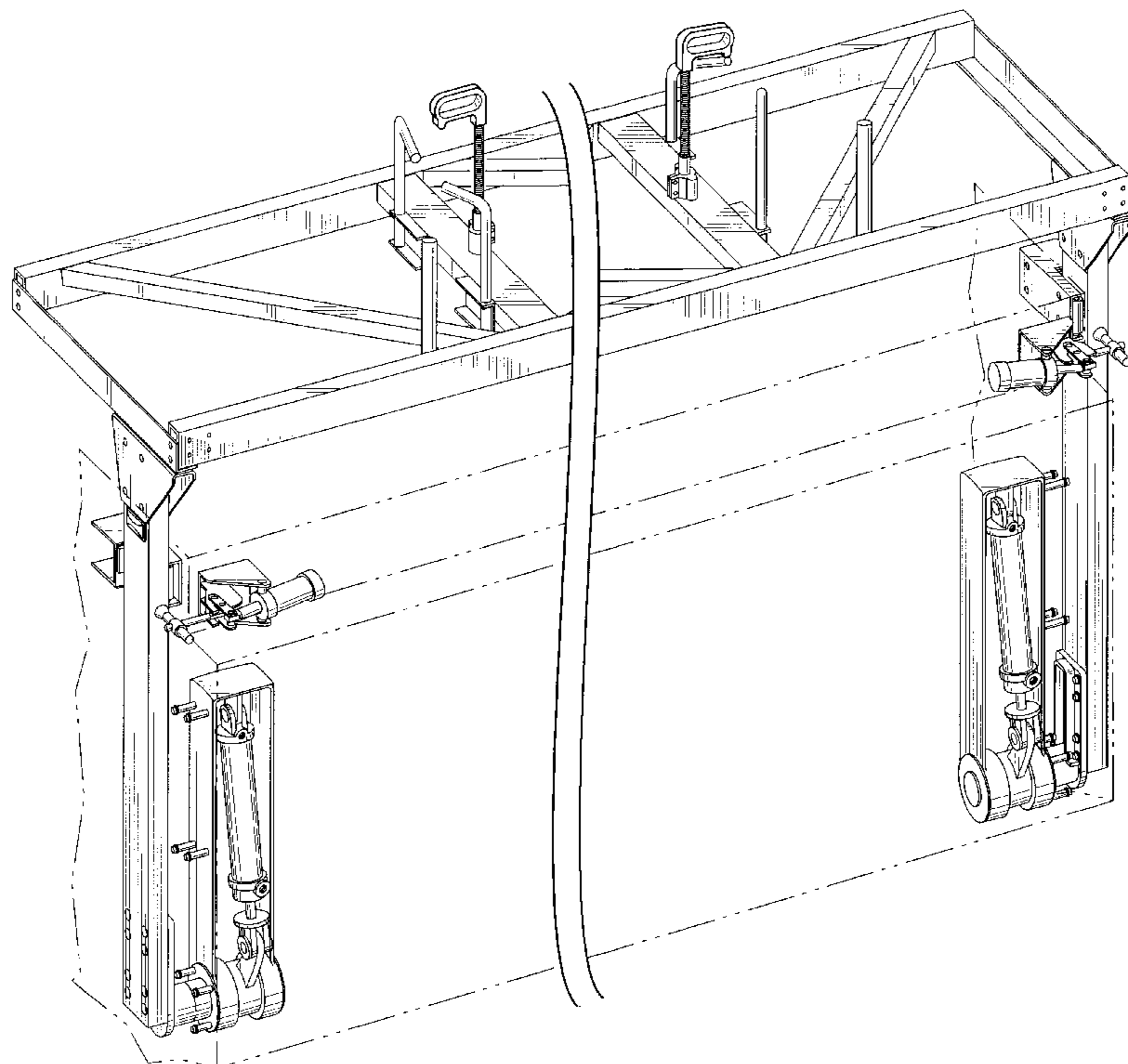
DESCRIPTION

FIG. 1 is a perspective view of an apparatus for retaining elongated objects relative to a vehicular body and providing access thereto, showing our new design; and FIG. 2 is a front view thereof; FIG. 3 is a rear view thereof; FIG. 4 is a left side view thereof; FIG. 5 is a section view taken along line 5—5 in FIG. 2; FIG. 6 is a top plan view thereof; and, FIG. 7 is a bottom plan view thereof.

The apparatus is shown broken away in FIGS. 1, 2, 3, 6 and 7 to indicate indeterminate length.

The broken line showing of environment is for illustrative purposes only and forms no part of the claimed design.

1 Claim, 5 Drawing Sheets



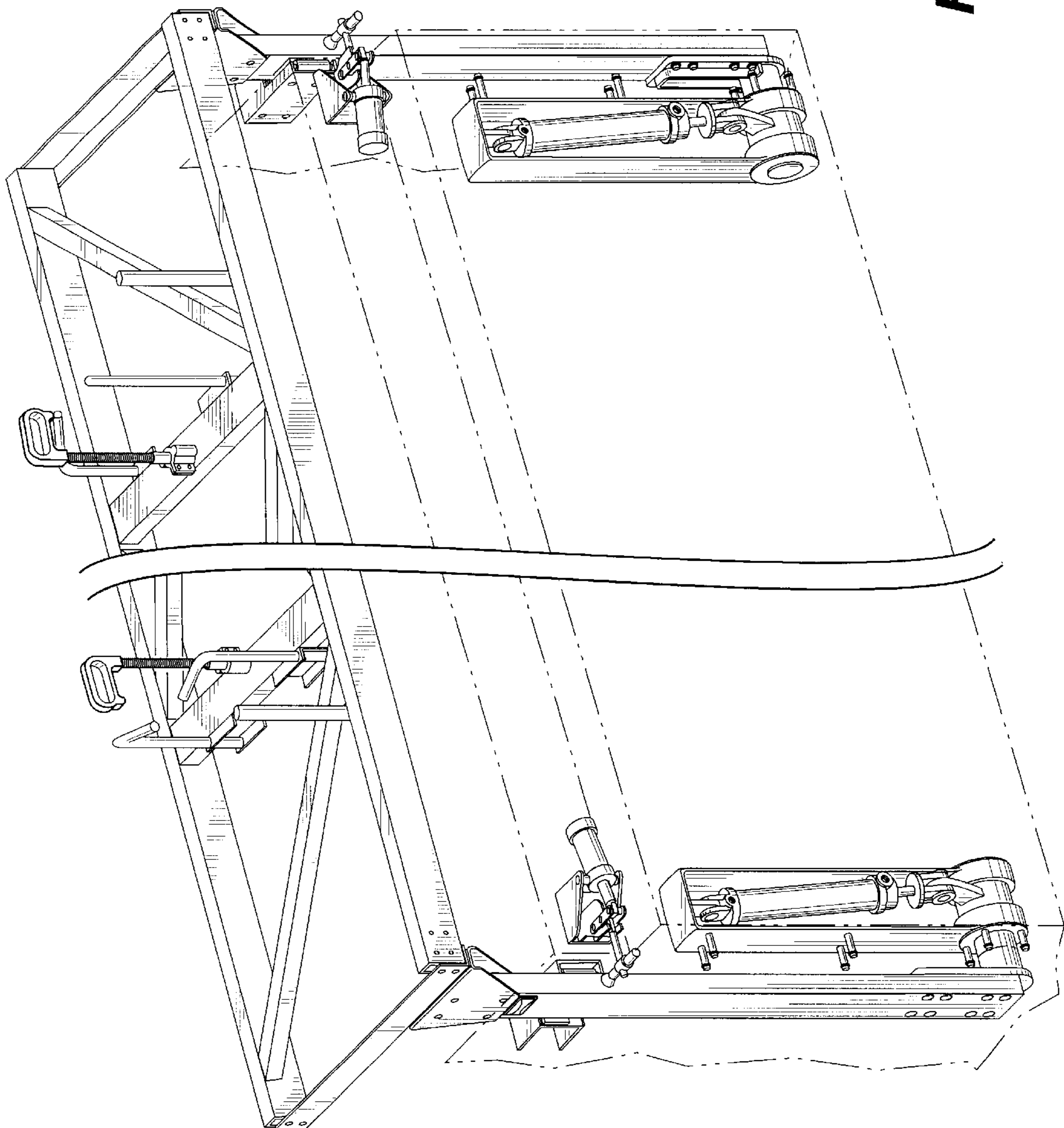


FIG. 1

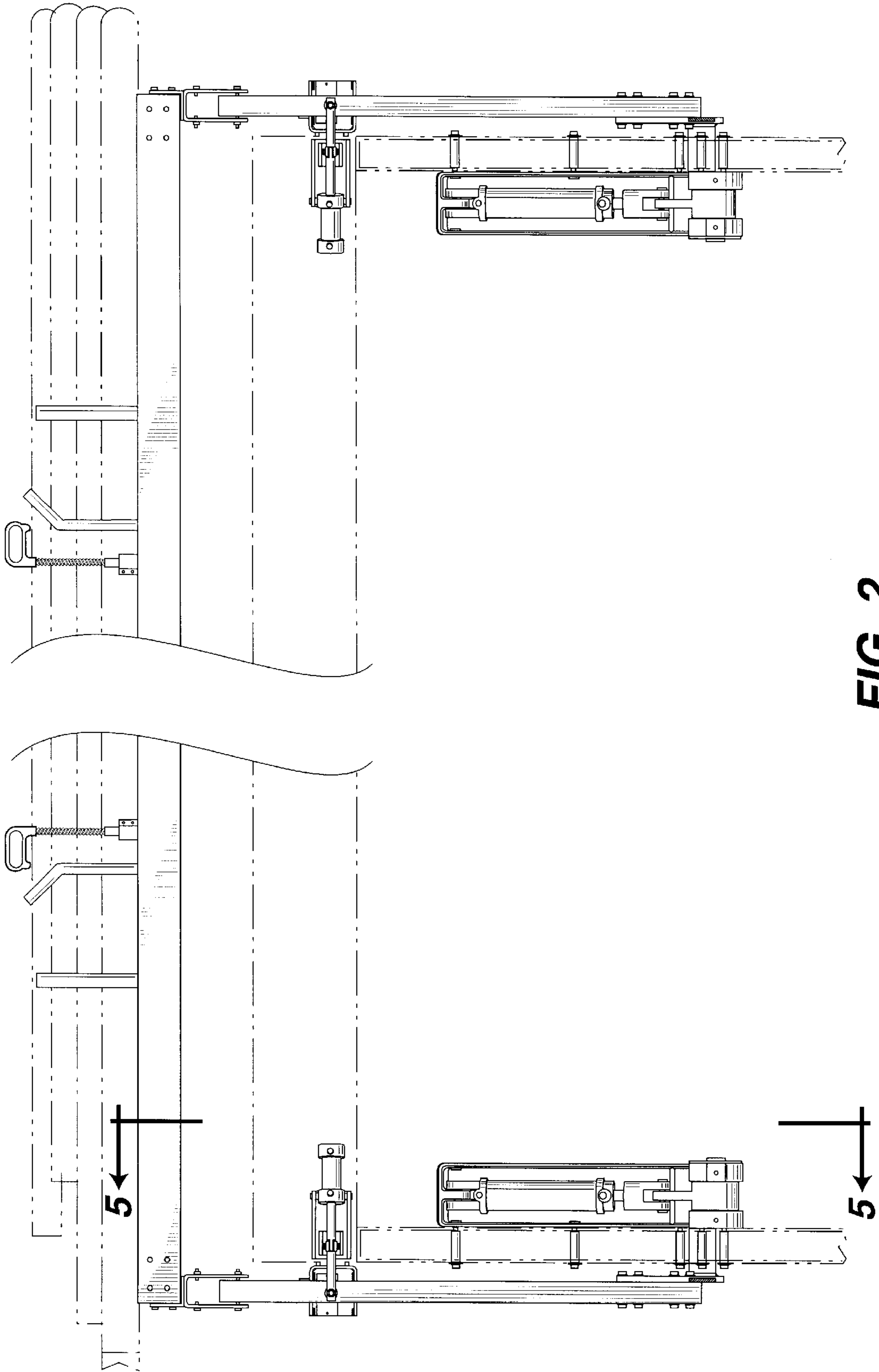


FIG. 2

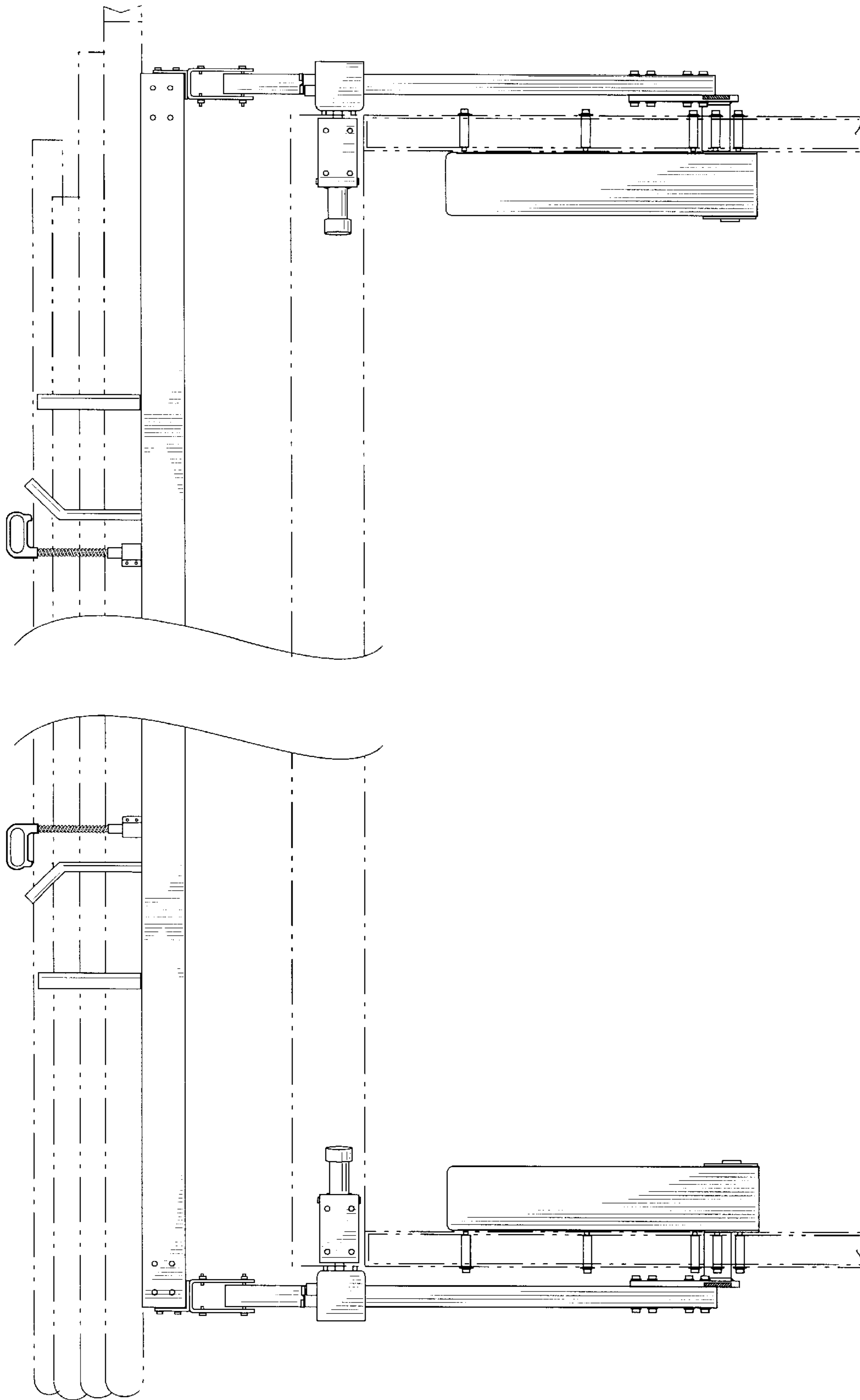


FIG. 3

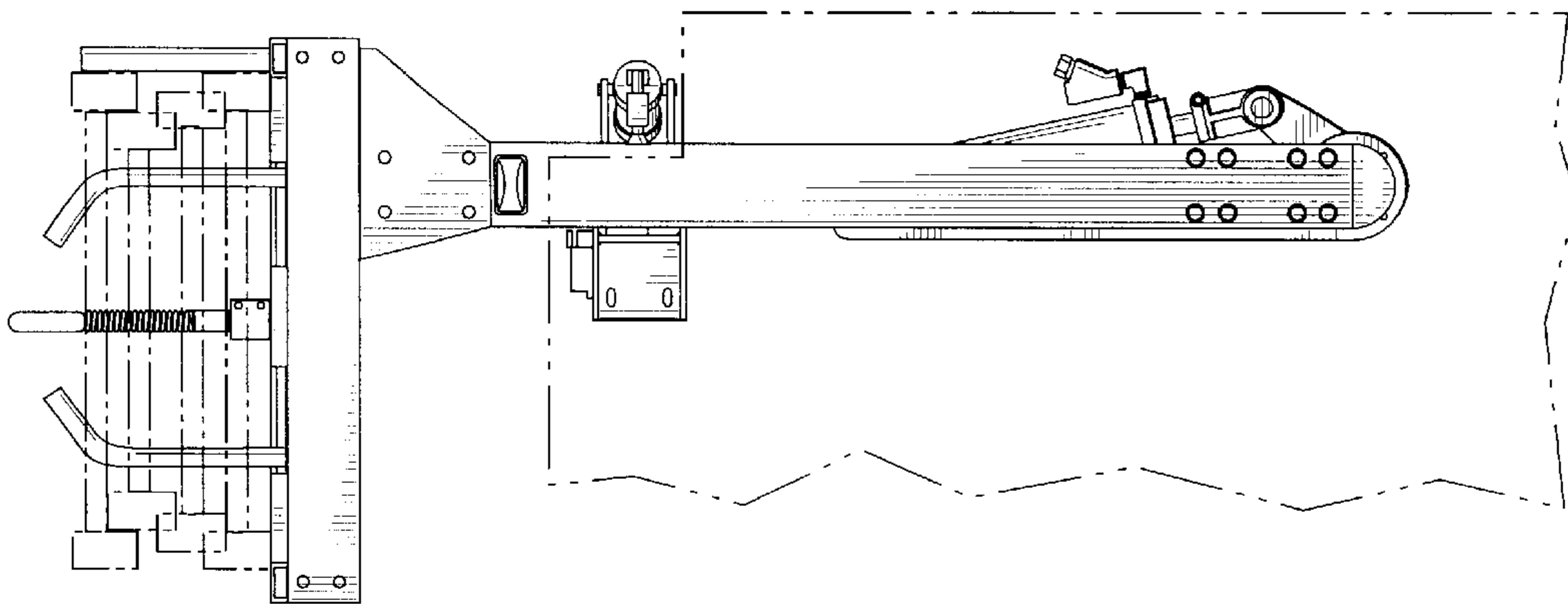


FIG. 4

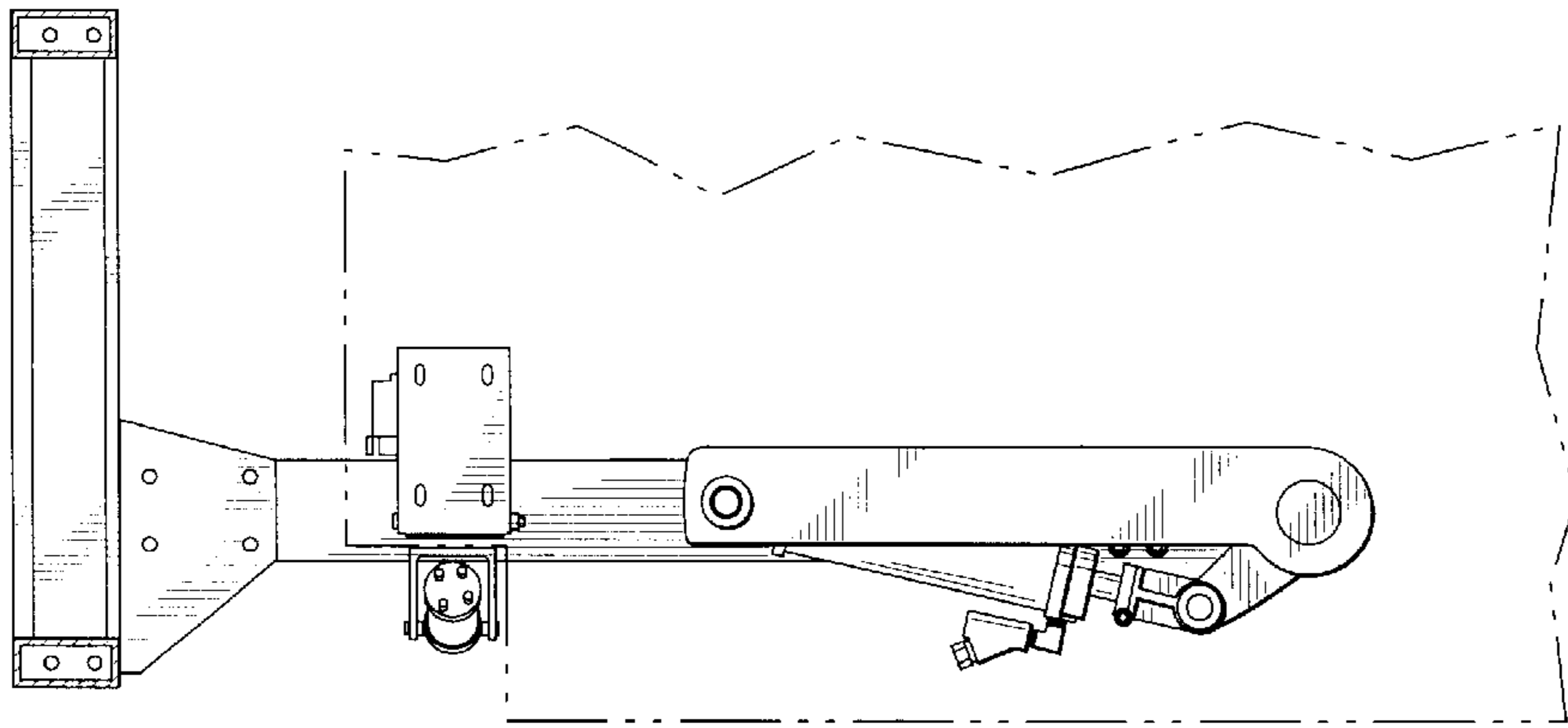


FIG. 5

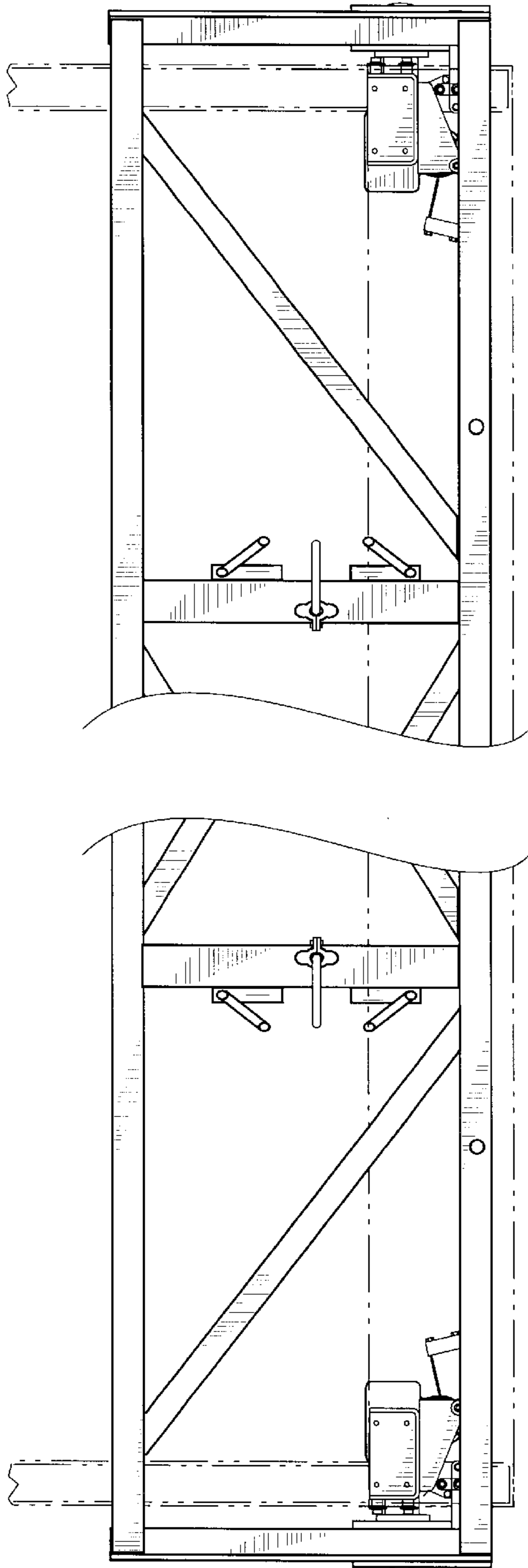


FIG. 6

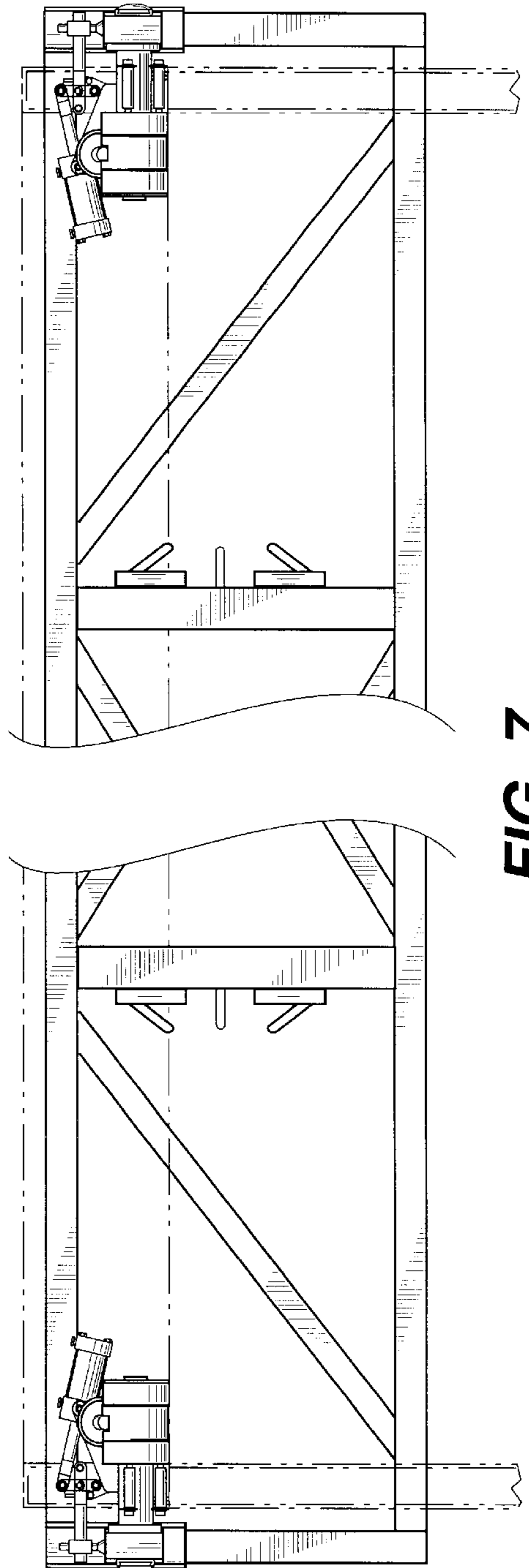


FIG. 7