



US00D487048S

(12) **United States Design Patent**
Brunner

(10) **Patent No.:** **US D487,048 S**

(45) **Date of Patent:** **** Feb. 24, 2004**

(54) **CIRCULAR WING FLYING SAUCER**

D394,040 S * 5/1998 Oneal et al. D12/325

D430,530 S 9/2000 Milde

D471,507 S * 3/2003 Brunner D12/325

(75) Inventor: **Ashton Frank Brunner**, Bush, LA
(US)

FOREIGN PATENT DOCUMENTS

(73) Assignee: **Von Brunner & Franzella Patents**
Vault No. 1, L.L.C., New Orleans, LA
(US)

DE 2030603 12/1971

* cited by examiner

(**) Term: **14 Years**

Primary Examiner—Marcus A. Jackson

(21) Appl. No.: **29/178,377**

(74) *Attorney, Agent, or Firm*—Garvey, Smith, Nehrass &
Doody, L.L.C.; Seth M. Nehrass

(22) Filed: **Mar. 25, 2003**

(57) **CLAIM**

Related U.S. Application Data

The ornamental design for a circular wing flying saucer, as shown and described.

(62) Division of application No. 29/173,071, filed on Dec. 20, 2002.

DESCRIPTION

(51) **LOC (7) Cl.** **12-12**

FIG. 1 is a top view of a circular wing flying saucer showing my new design;

(52) **U.S. Cl.** **D12/325**

FIG. 2 is a front view of a circular wing flying saucer showing my new design;

(58) **Field of Search** D12/325; 446/34, 446/46, 47; 244/12.2, 158 R; D21/82, 85, 86, 87

FIG. 3 is a left side view of a circular wing flying saucer showing my new design, the right side being a mirror image thereof;

(56) **References Cited**

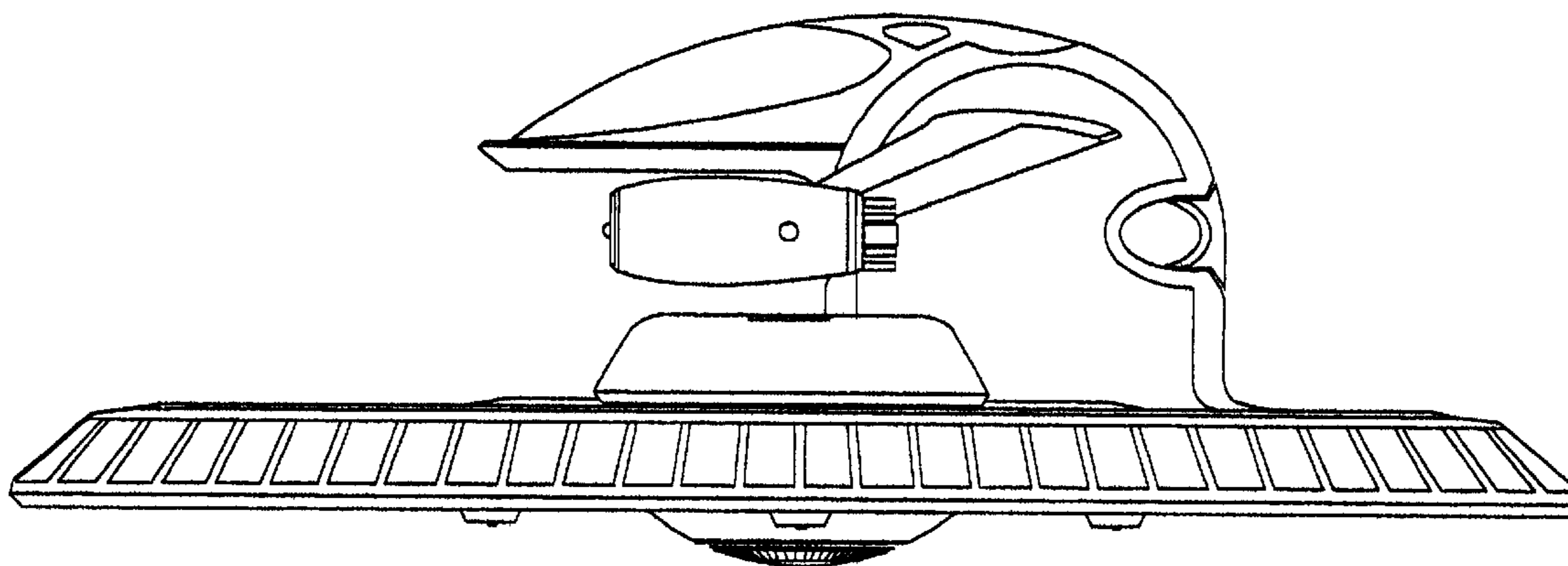
FIG. 4 is a rear view of a circular wing flying saucer showing my new design; and,

U.S. PATENT DOCUMENTS

FIG. 5 is a bottom view of a circular wing flying saucer showing my new design.

- 3,933,325 A 1/1976 Kaelin
- 4,773,618 A 9/1988 Ow
- 4,778,128 A 10/1988 Wright et al.
- D392,696 S * 3/1998 Johnson D12/325

1 Claim, 5 Drawing Sheets



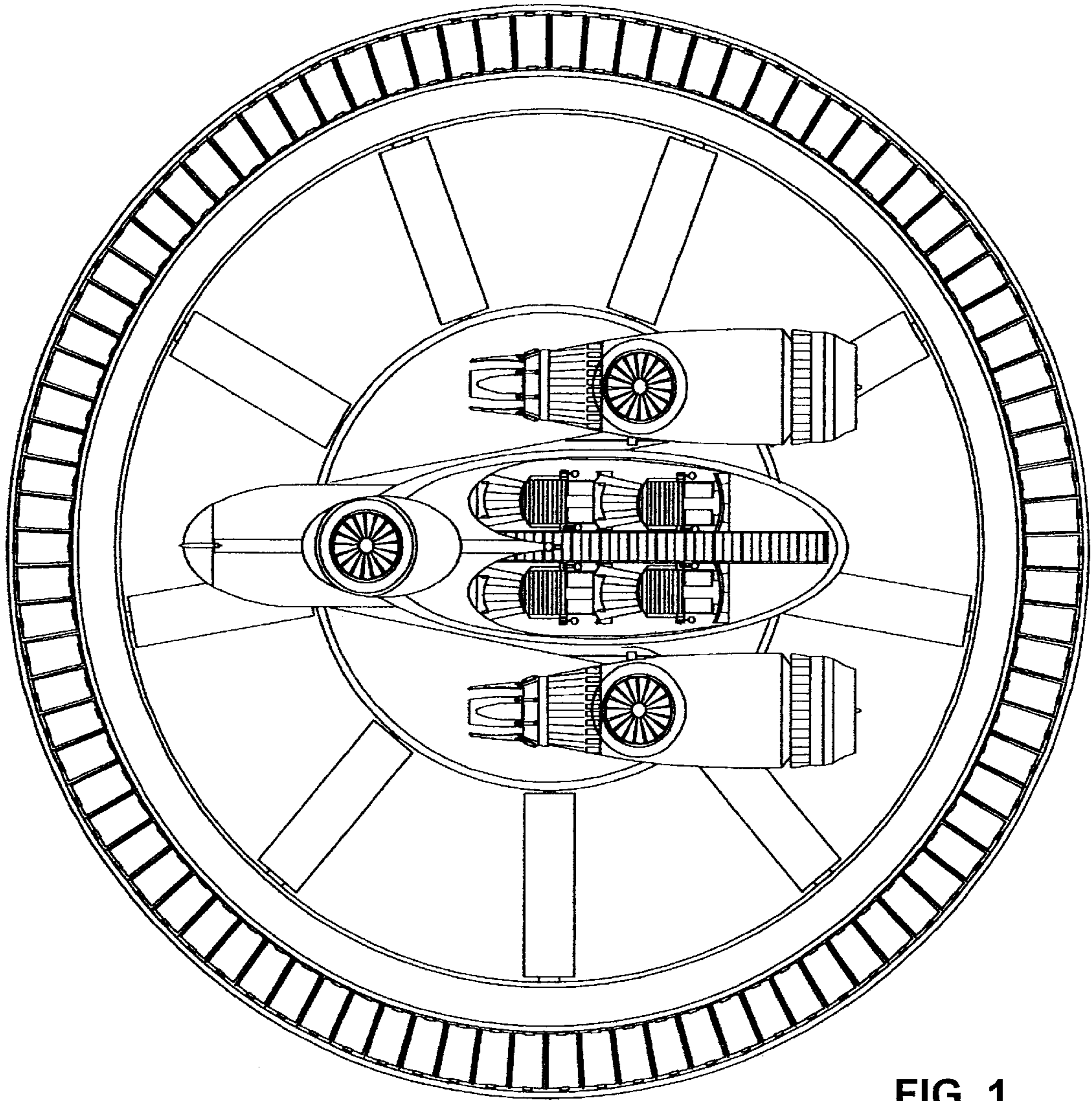


FIG. 1

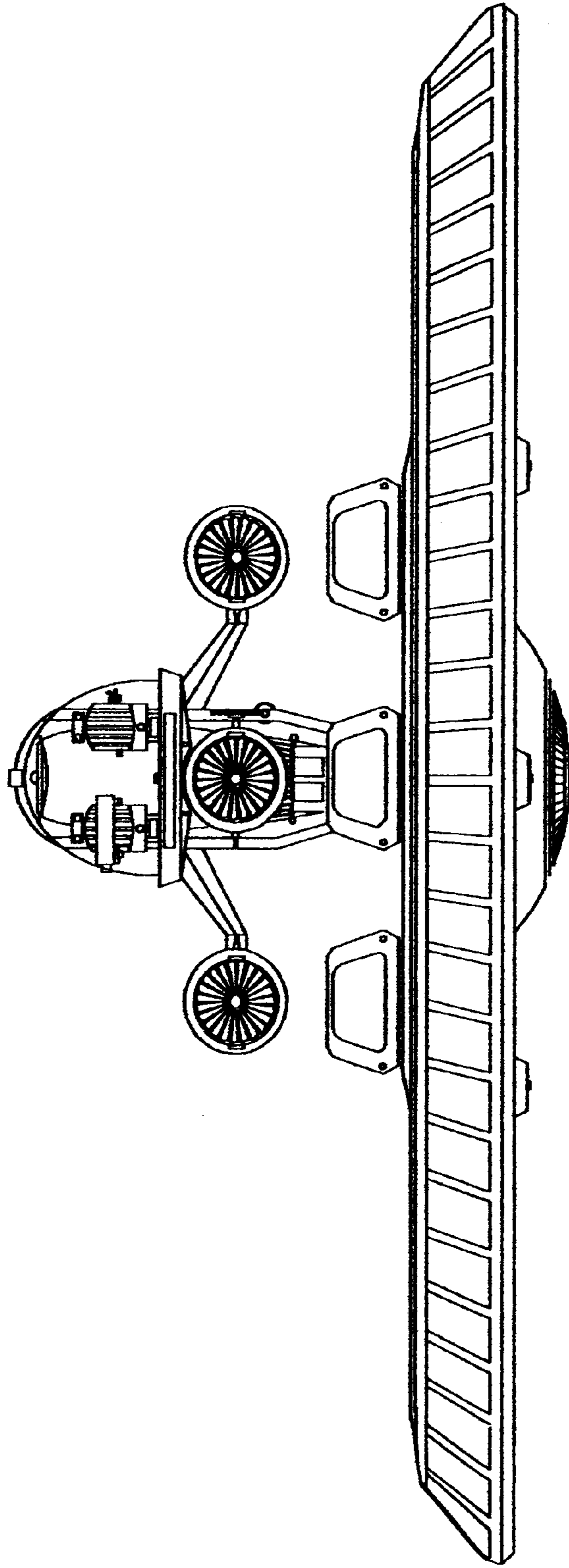


FIG. 2

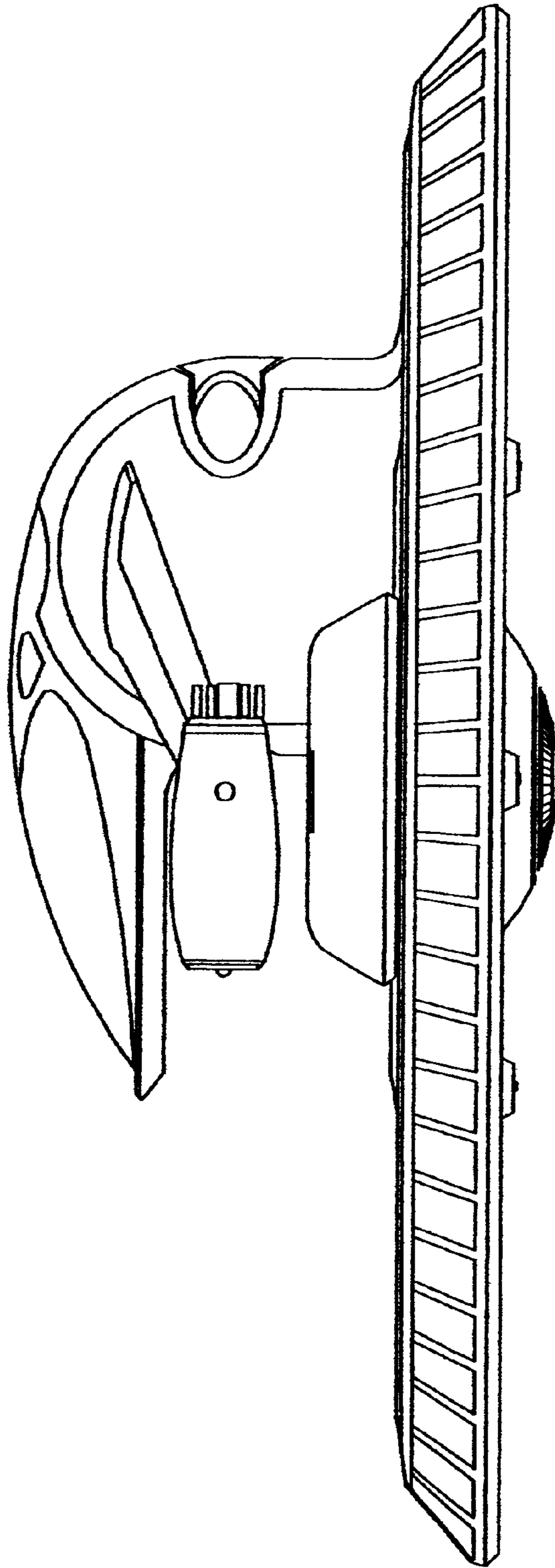


FIG. 3

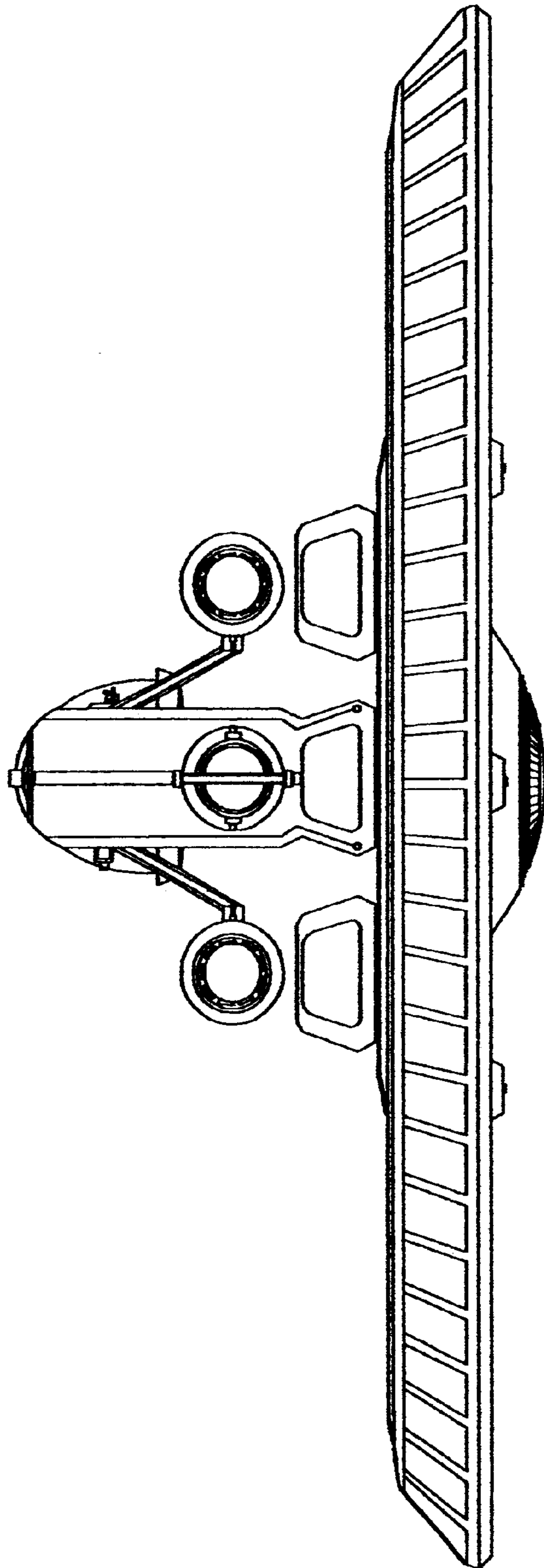


FIG. 4

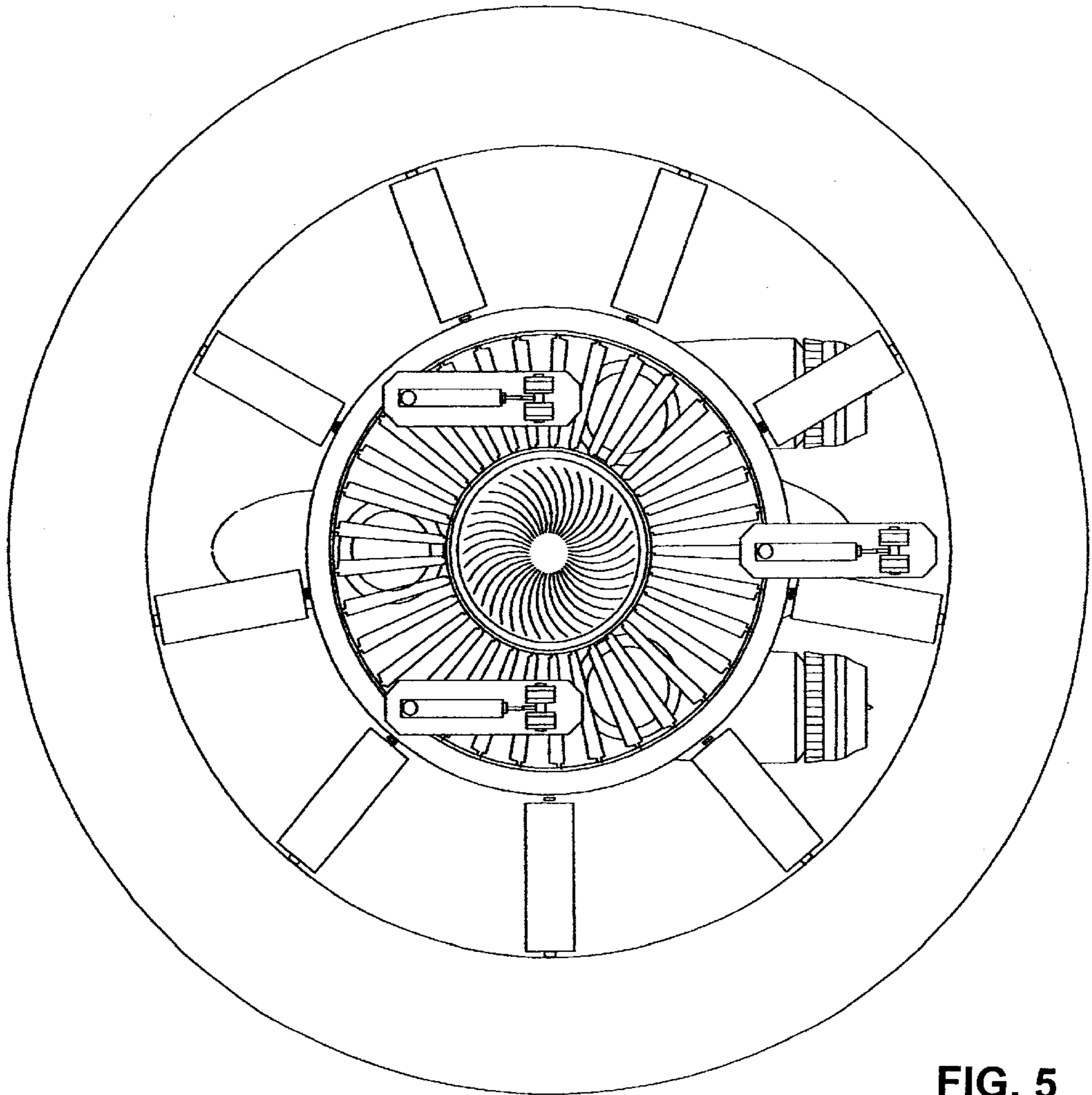


FIG. 5