



US00D487044S

(12) **United States Design Patent**  
**Kataoka**

(10) **Patent No.:** **US D487,044 S**

(45) **Date of Patent:** **\*\* Feb. 24, 2004**

(54) **AUTOMOTIVE WHEEL**

(75) **Inventor:** **Tatsuya Kataoka, Ota Gunma (JP)**

(73) **Assignee:** **Kaizer Motor Sports Co, Rancho Dominguez, CA (US)**

(\*\*) **Term:** **14 Years**

(21) **Appl. No.:** **29/168,238**

(22) **Filed:** **Sep. 30, 2002**

(51) **LOC (7) Cl.** ..... **12-16**

(52) **U.S. Cl.** ..... **D12/209**

(58) **Field of Search** ..... **D12/204-211;**  
**301/37.101, 64.101, 65**

D457,117 S	*	5/2002	McMath	.....	D12/209
D458,203 S	*	6/2002	Kataoka	.....	D12/209
D458,204 S	*	6/2002	Kataoka	.....	D12/209
D458,572 S	*	6/2002	Fitzgerald	.....	D12/209
D460,037 S	*	7/2002	Takechi	.....	D12/211
D463,348 S	*	9/2002	Kataoka	.....	D12/209
D466,464 S	*	12/2002	Hodges	.....	D12/209

\* cited by examiner

*Primary Examiner*—Stacia Cadmus

(74) *Attorney, Agent, or Firm*—G. Donald Weber, Jr.

(57) **CLAIM**

The ornamental design for an automotive wheel, as shown and described.

**DESCRIPTION**

FIG. 1 is a perspective view of the automotive wheel of the instant invention; and, FIG. 2 is a side elevation view of the automotive wheel of the instant invention.

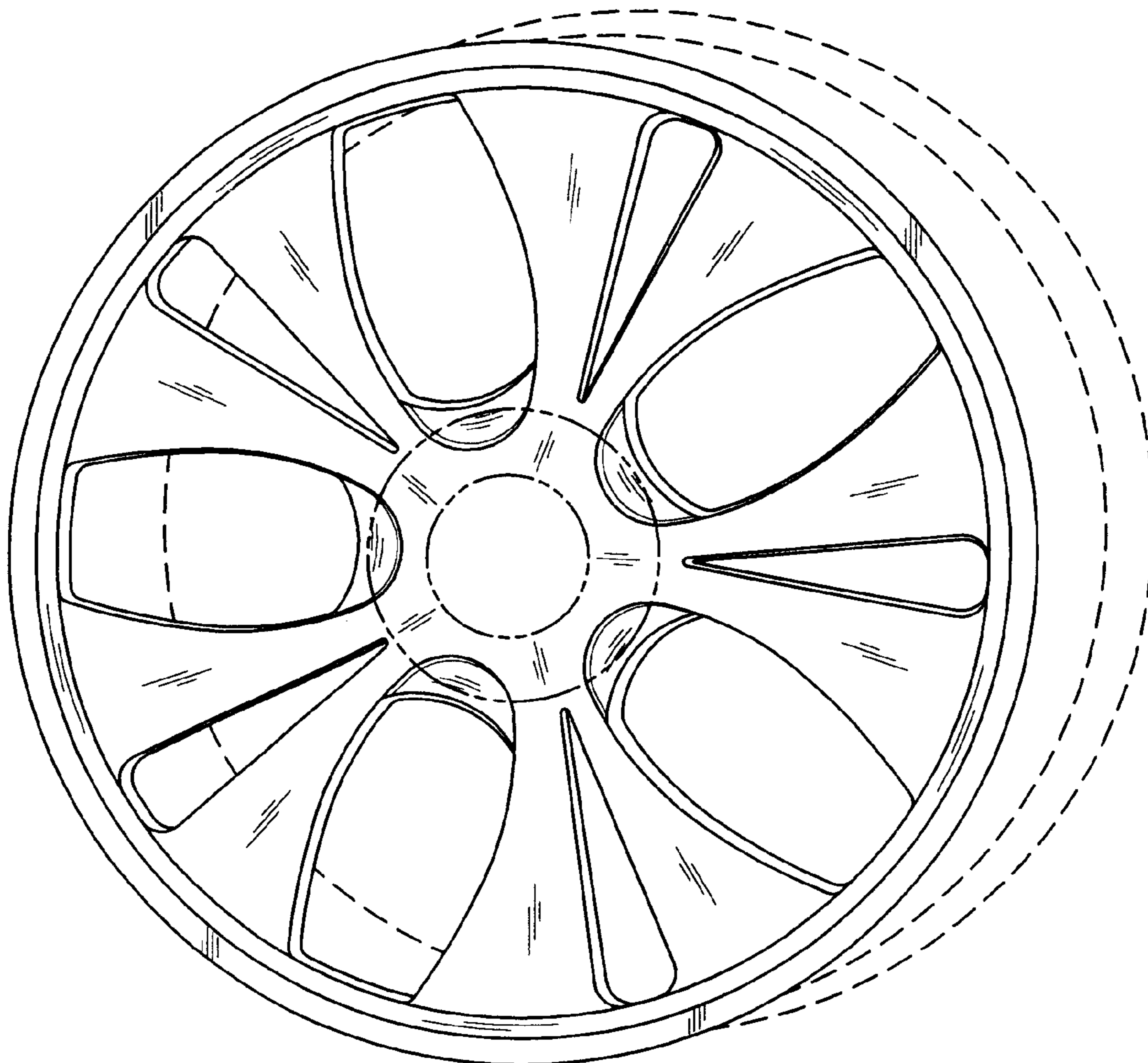
The broken line showing of environment is for illustrative purposes only and forms no part of the claimed design.

(56) **References Cited**

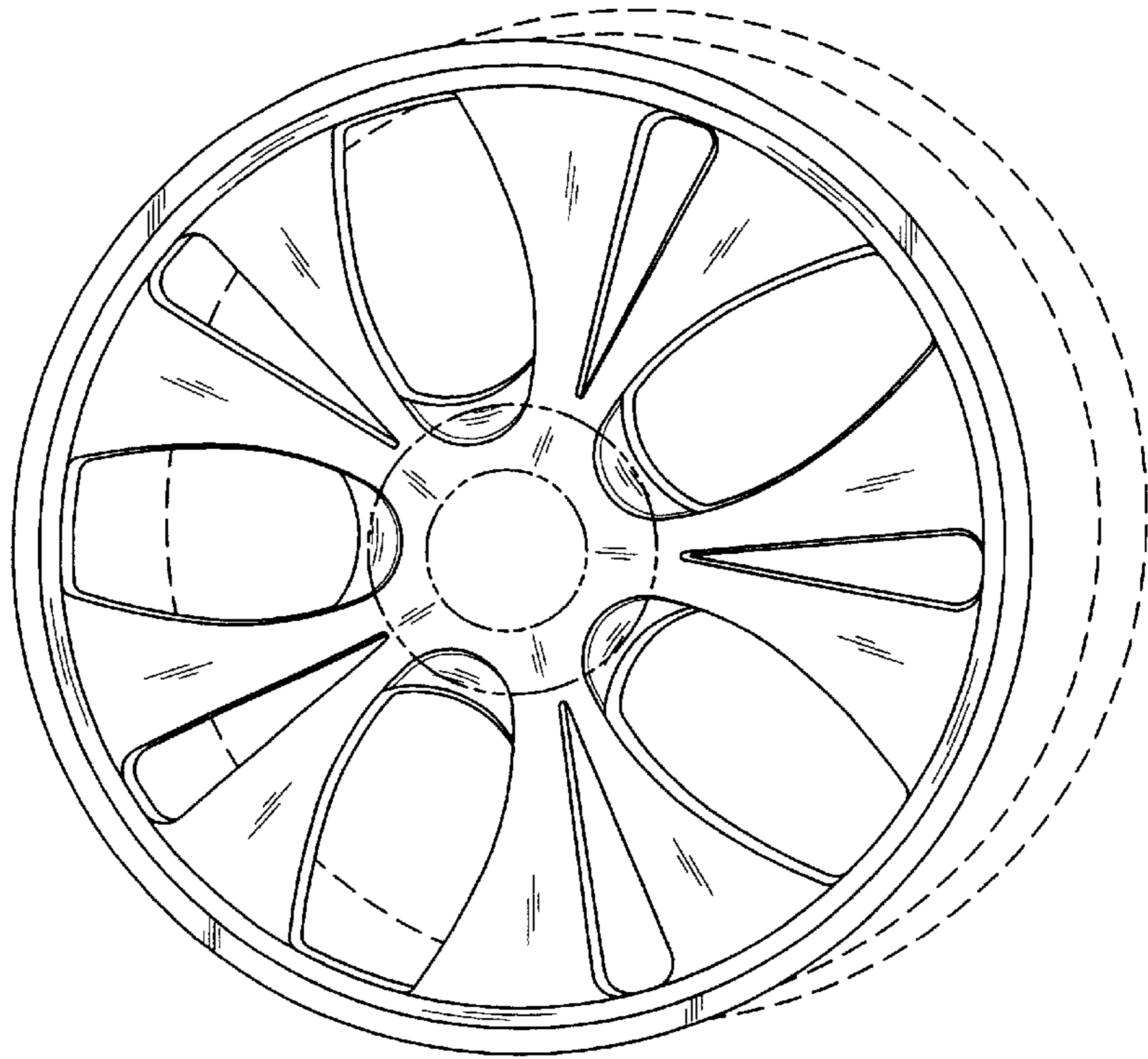
**U.S. PATENT DOCUMENTS**

D403,289 S	*	12/1998	Watanabe	.....	D12/209
D416,531 S	*	11/1999	Gabath	.....	D12/209
D416,532 S	*	11/1999	Cullen	.....	D12/209
D423,442 S	*	4/2000	Hussaini et al.	.....	D12/209
D444,439 S	*	7/2001	Cullen	.....	D12/211

**1 Claim, 1 Drawing Sheet**



*Fig. 1*



*Fig. 2*

