



US00D487039S

(12) **United States Design Patent**  
**Webster et al.**

(10) **Patent No.:** **US D487,039 S**

(45) **Date of Patent:** **\*\* Feb. 24, 2004**

(54) **SPACER**

D422,253 S \* 4/2000 Boykin ..... D12/180  
6,189,437 B1 \* 2/2001 Morlan ..... 92/165 PR

(75) Inventors: **Walter C. Webster**, Sumter, SC (US);  
**Charles Byron Horner**, South Bend,  
IN (US); **Larry A. Dickert**, Lugoff, SC  
(US); **Mark Allen**, Sumpter, SC (US)

\* cited by examiner

(73) Assignee: **Robert Bosch Corporation**,  
Broadview, IL (US)

*Primary Examiner*—Melody N. Brown  
(74) *Attorney, Agent, or Firm*—Leo H McCormick, Jr.;  
Warren Comstock

(\*\*) Term: **14 Years**

(57) **CLAIM**

The ornamental design for a spacer, as shown and described.

(21) Appl. No.: **29/171,734**

**DESCRIPTION**

(22) Filed: **Nov. 27, 2002**

(51) **LOC (7) Cl.** ..... **12-16**

(52) **U.S. Cl.** ..... **D12/180**

(58) **Field of Search** ..... D12/180; 92/165 PR,  
92/169.2, 169.3, 169.4; 188/71.1, 73.31

FIG. 1 is a perspective view of a spacer showing our new design;

FIG. 2 is a top view thereof;

FIG. 3 is a front elevation view thereof;

FIG. 4 is a side elevation view thereof; and,

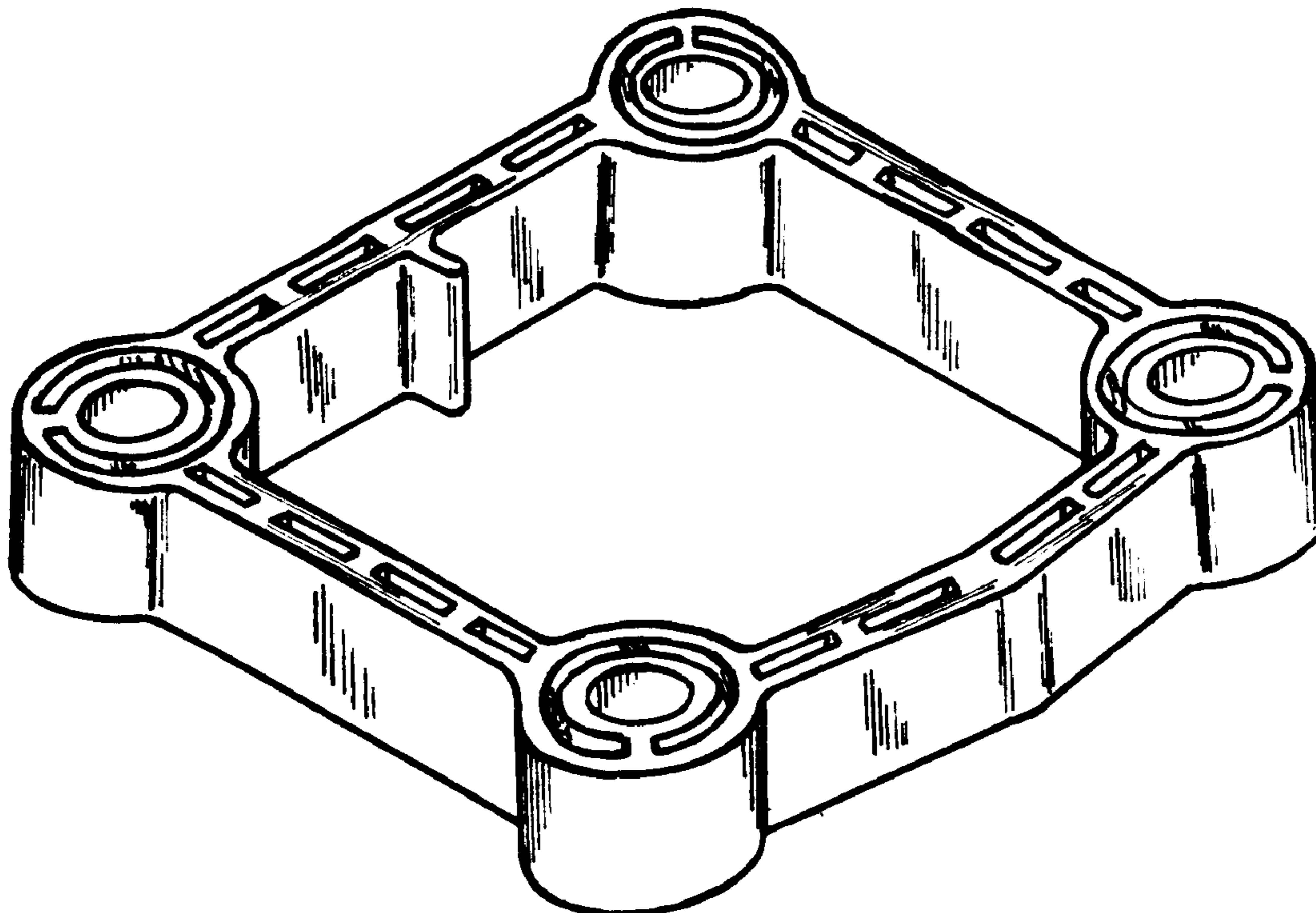
FIG. 5 is a rear elevation view thereof.

(56) **References Cited**

**U.S. PATENT DOCUMENTS**

D279,466 S \* 7/1985 Eberhart ..... D12/180

**1 Claim, 1 Drawing Sheet**



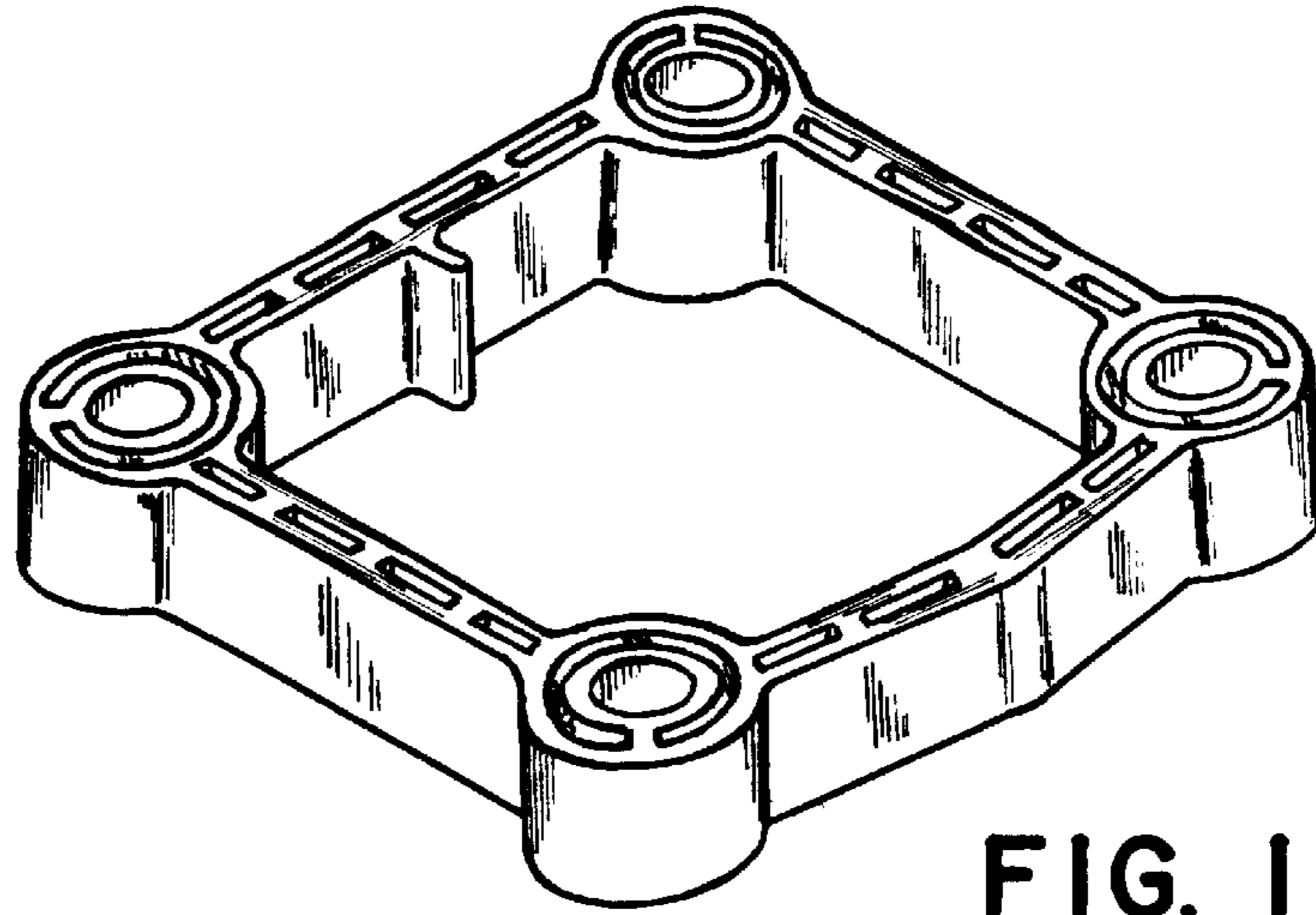


FIG. 1

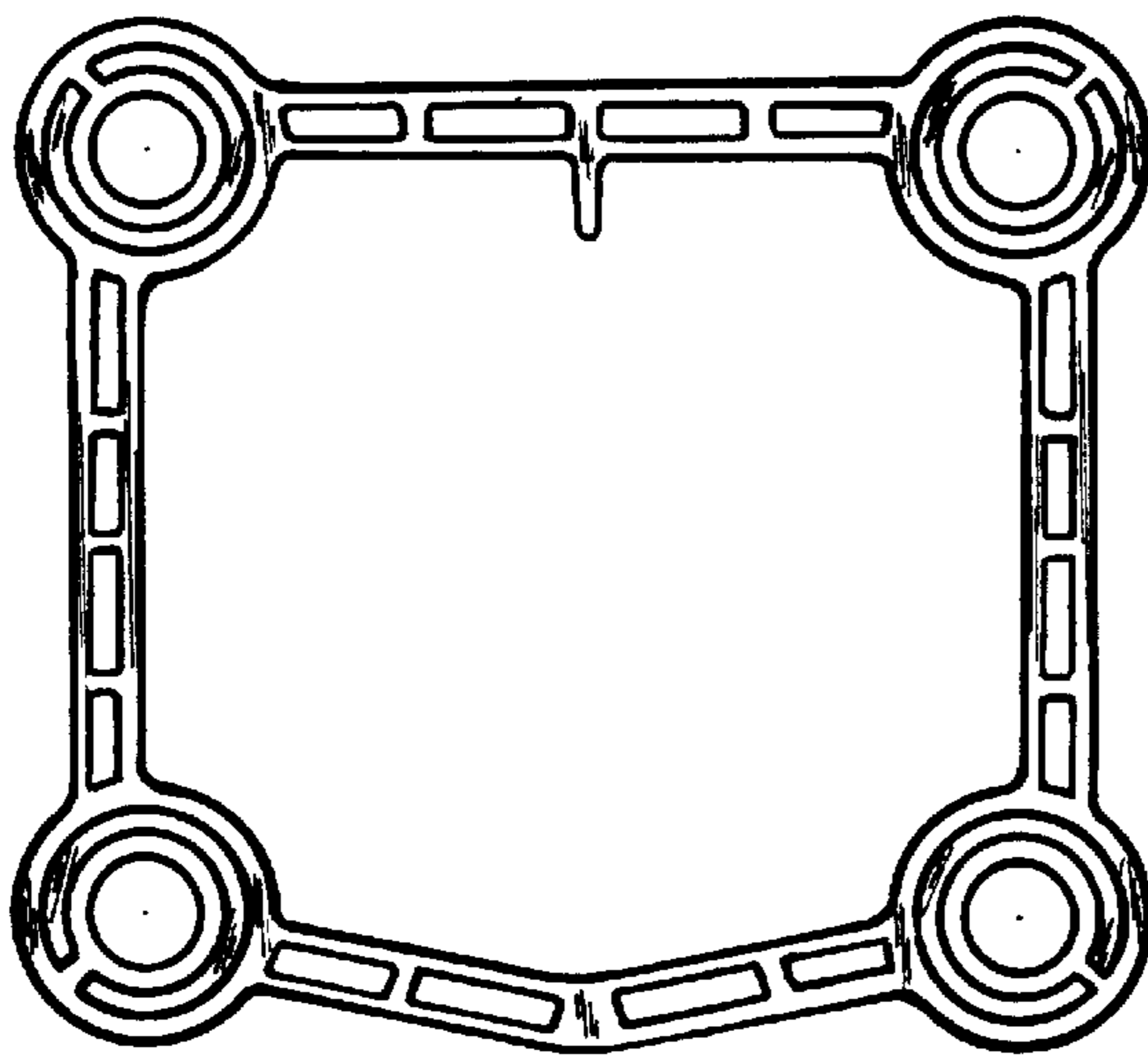


FIG. 2



FIG. 3

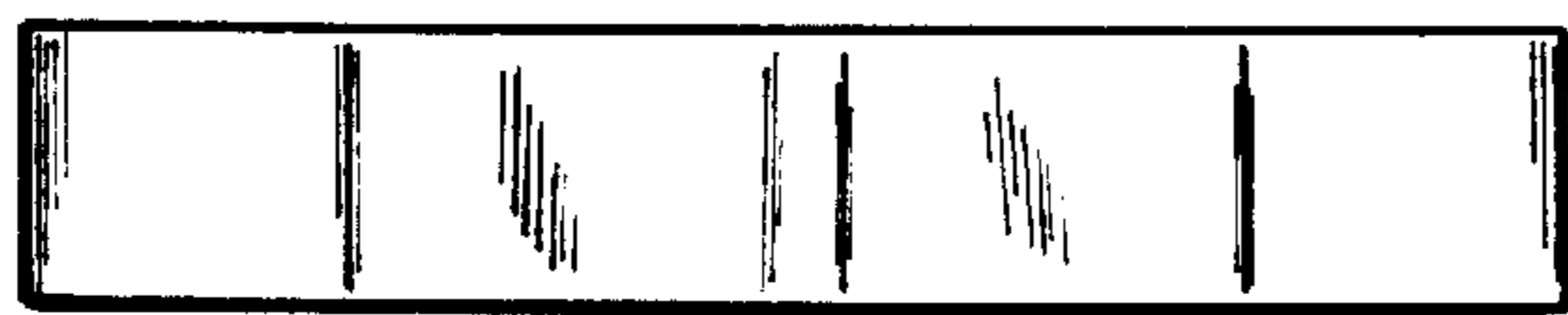


FIG. 4

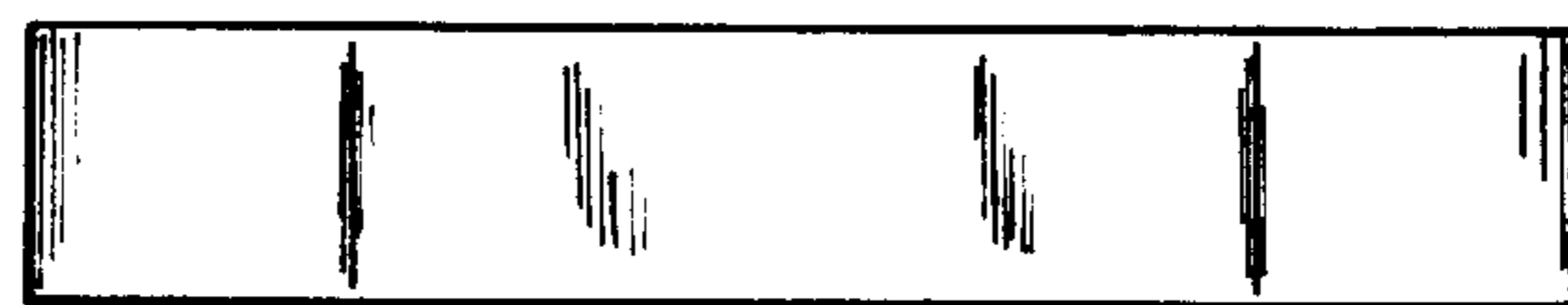


FIG. 5