



US00D487037S

(12) **United States Design Patent**
Wang

(10) **Patent No.:** **US D487,037 S**

(45) **Date of Patent:** **** Feb. 24, 2004**

(54) **COMPANION SLEEPING CHAIR**

Primary Examiner—Marcus A. Jackson

(76) Inventor: **Chih Chiang Wang**, 2F., No.3, Lane
280, Chung-Chan Road, Hsin Tien City,
Taipei (TW), 105

(57) **CLAIM**

The ornamental design for the companion sleeping chair, as shown and described.

(**) Term: **14 Years**

DESCRIPTION

(21) Appl. No.: **29/177,036**

FIG. 1 is a front elevation of the companion sleeping chair;
FIG. 2 is a left side elevation thereof;
FIG. 3 is a right side elevation thereof;
FIG. 4 is a top plane view thereof;
FIG. 5 is a bottom plane view thereof;
FIG. 6 is a rear elevation thereof;
FIG. 7 is a perspective view thereof;
FIG. 8 is showing of the companion sleeping chair shown in
a position of use; and,
FIG. 9 is a showing of the companion sleeping chair shown
in a further position of use.

(22) Filed: **Mar. 4, 2003**

(51) **LOC (7) Cl.** **12-12**

(52) **U.S. Cl.** **D12/131**

(58) **Field of Search** D12/128-133;
297/231, 428, 429, 438, 444; 280/250.1,
304.1

(56) **References Cited**

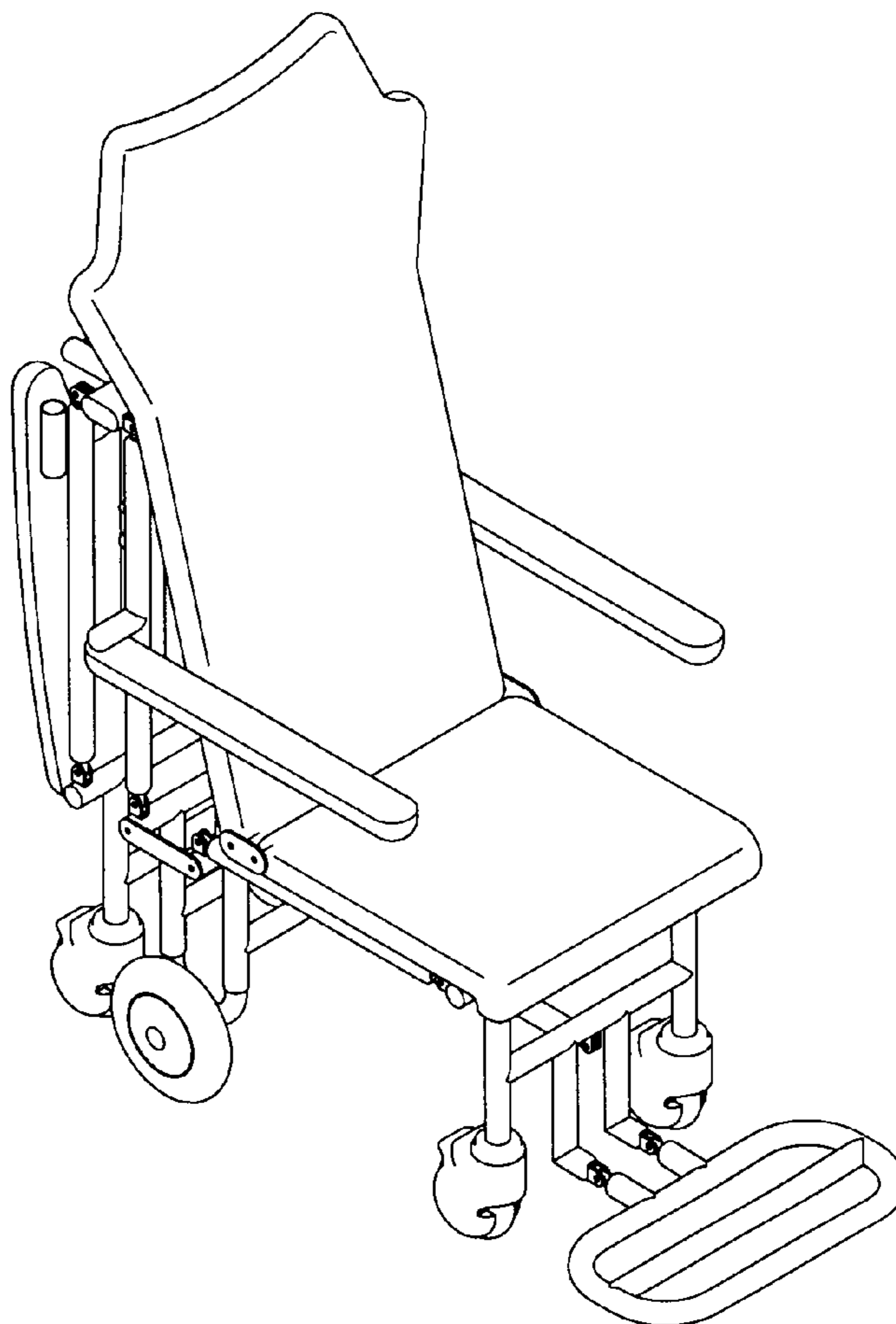
U.S. PATENT DOCUMENTS

D451,849 S * 12/2001 Noshi D12/131

D475,952 S * 6/2003 Nelson et al. D12/131

* cited by examiner

1 Claim, 6 Drawing Sheets



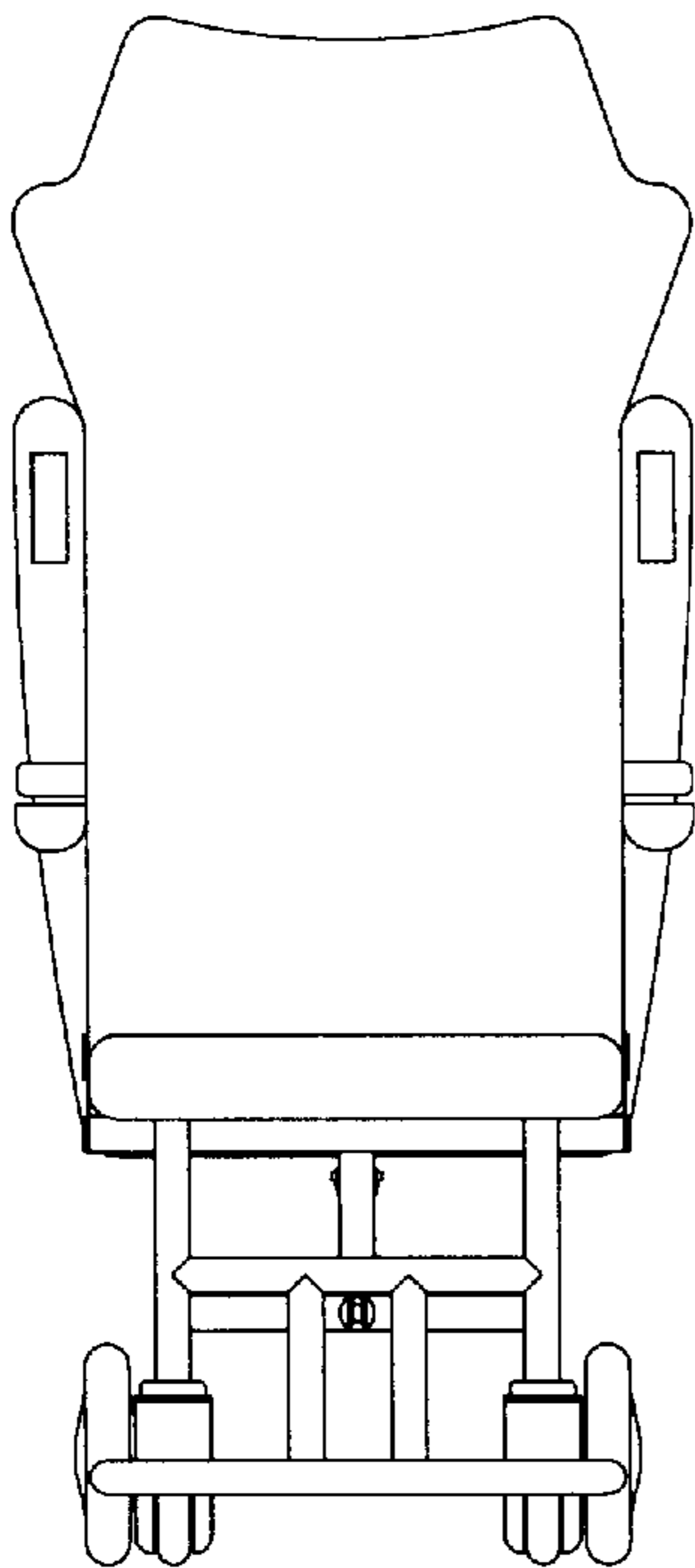


Fig. 1

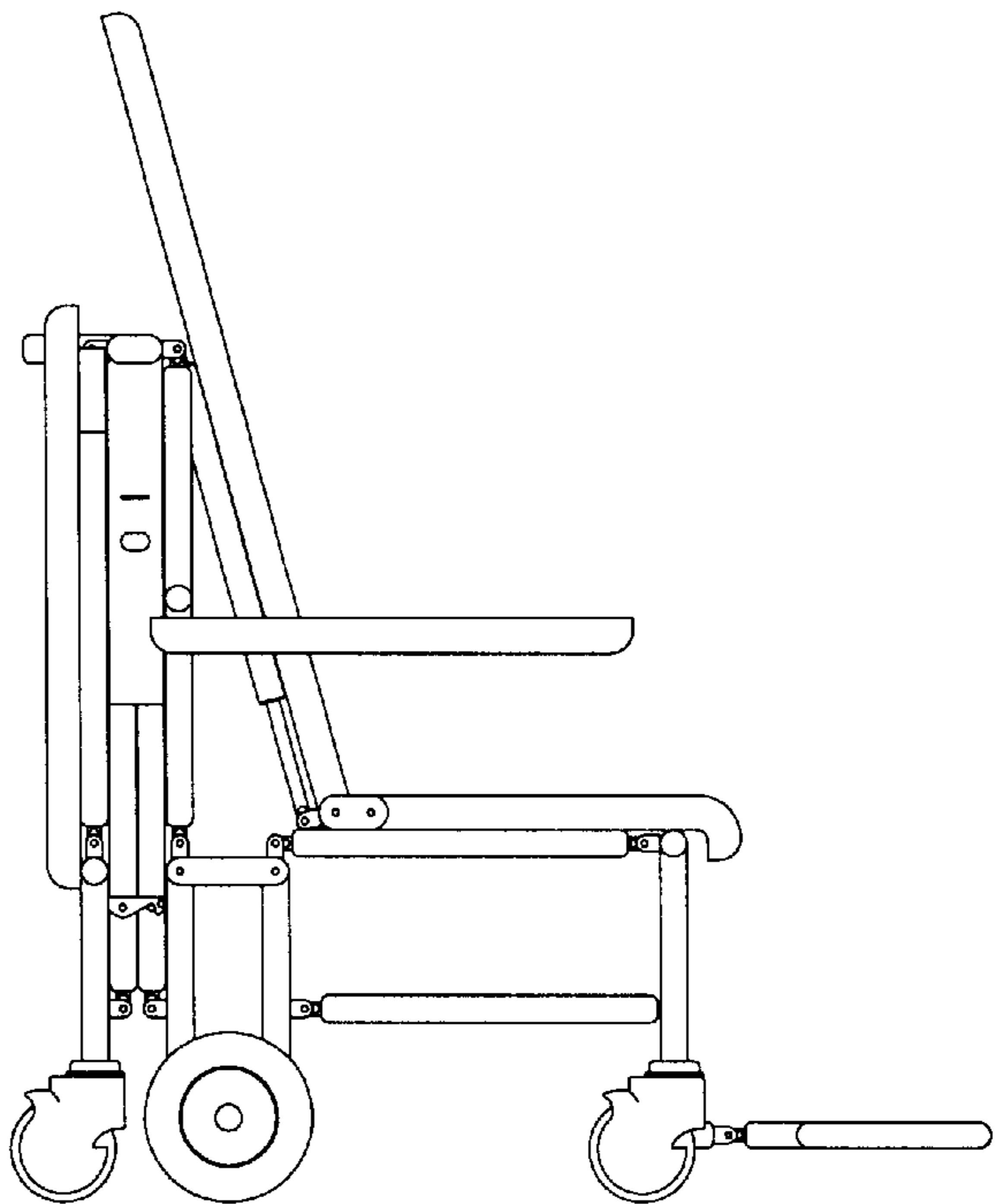


Fig. 2

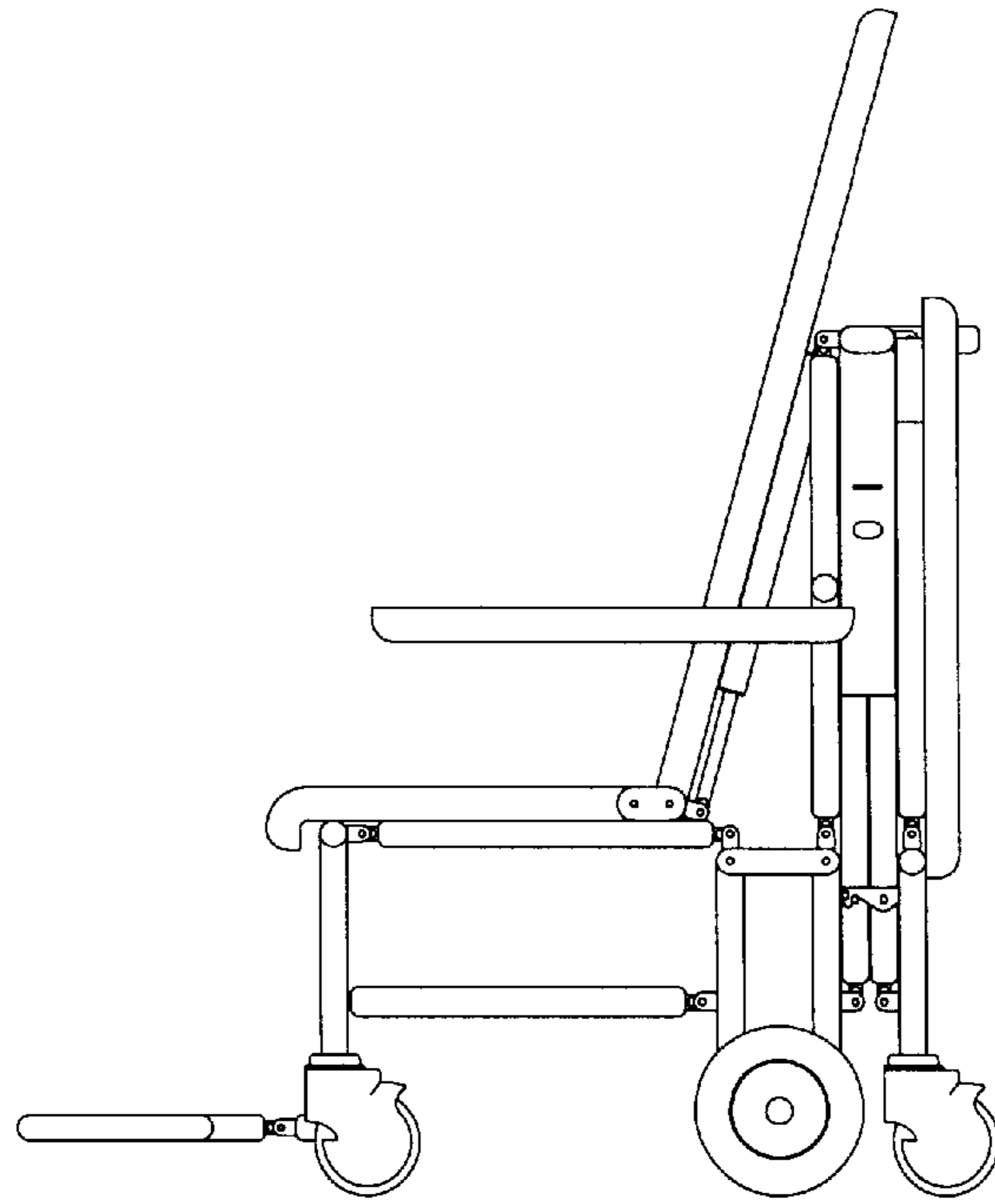


Fig. 3

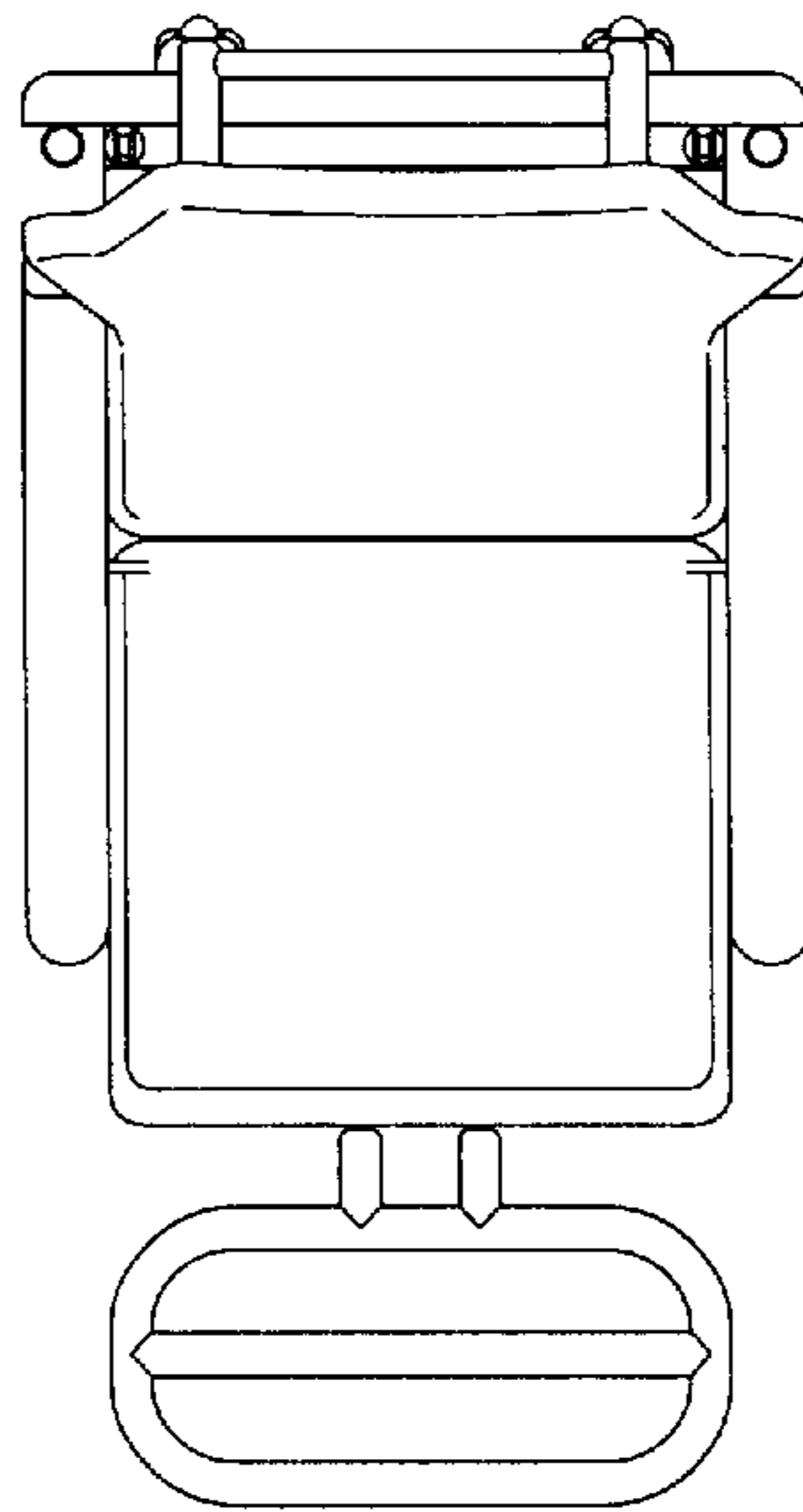


Fig. 4

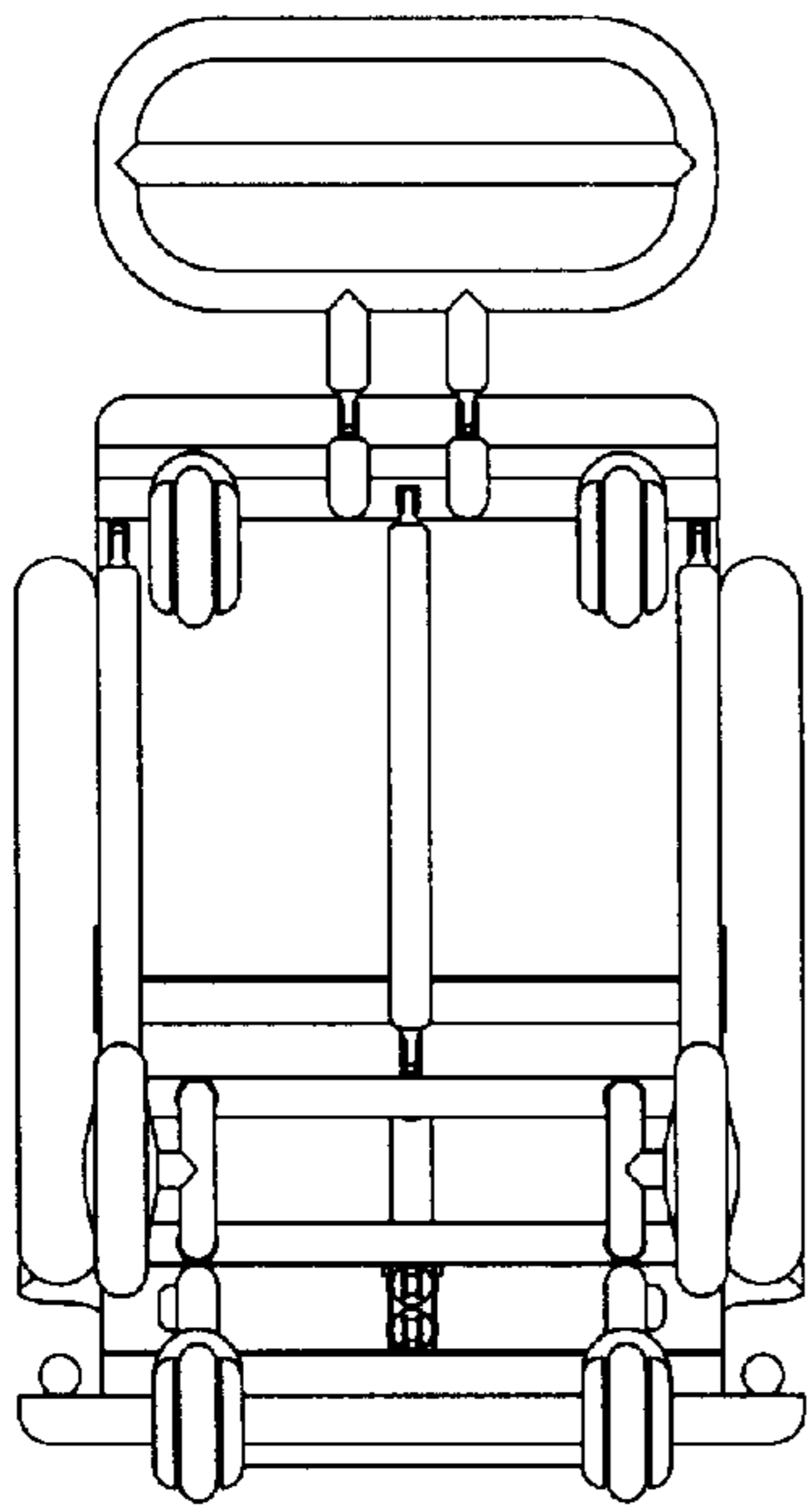


Fig. 5

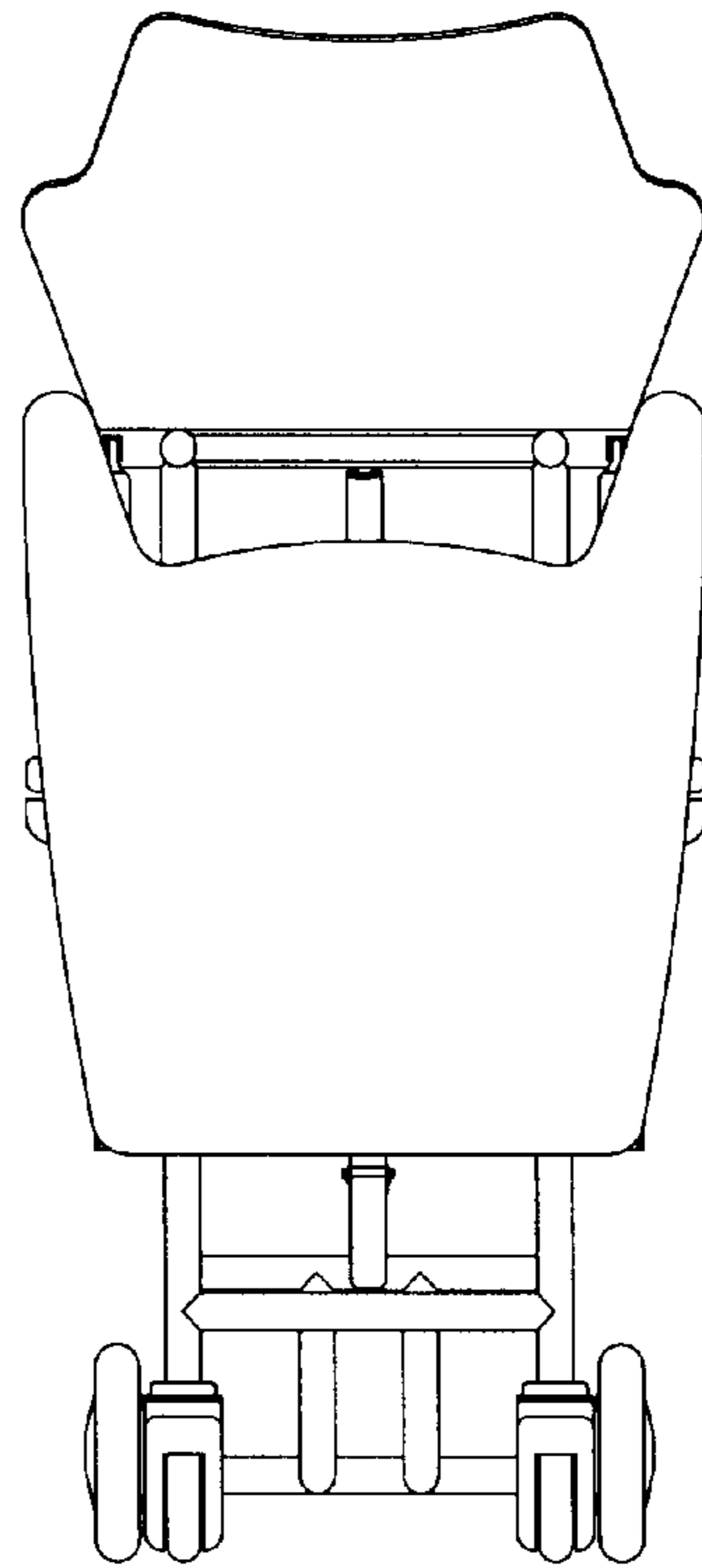


Fig. 6

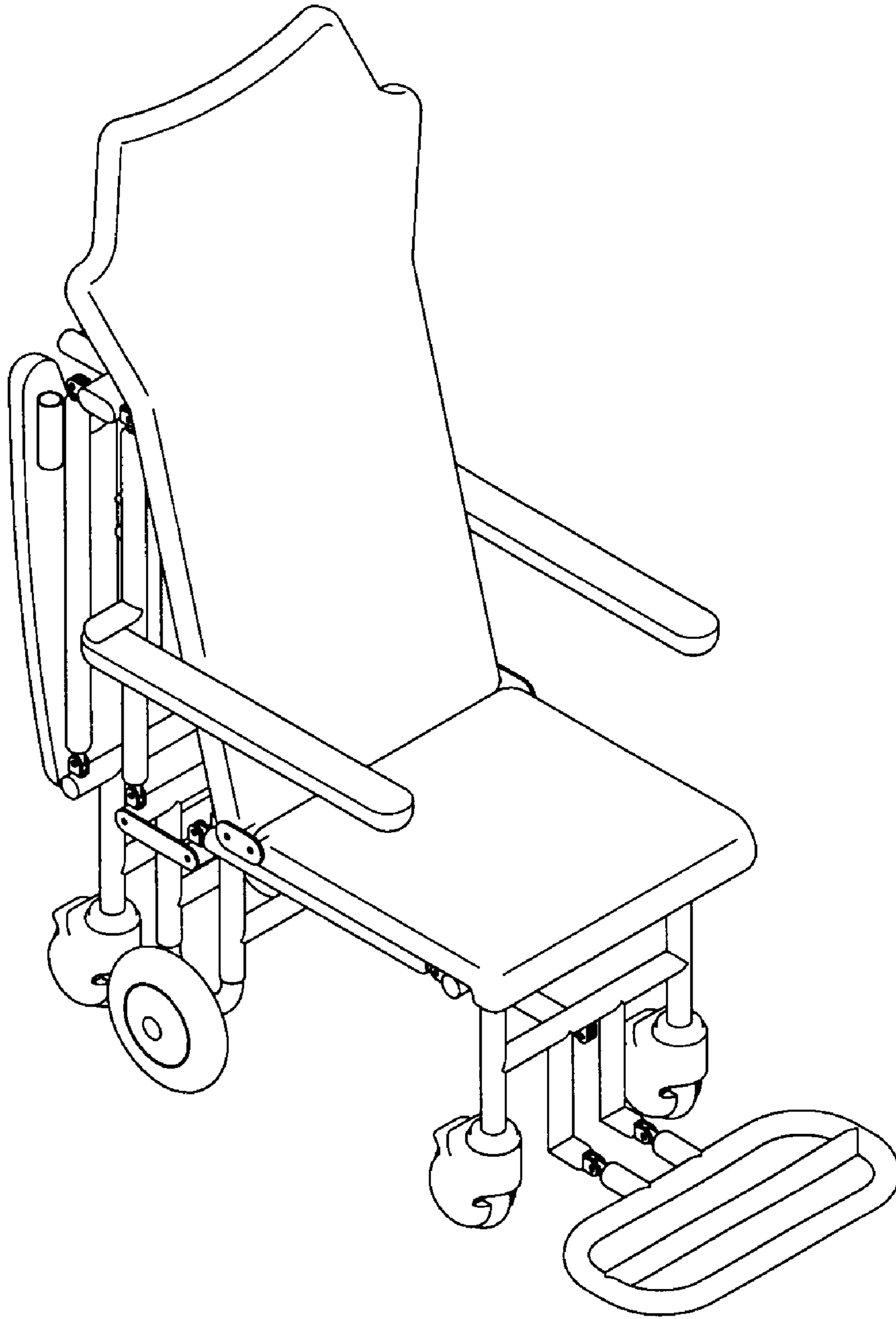


Fig. 7

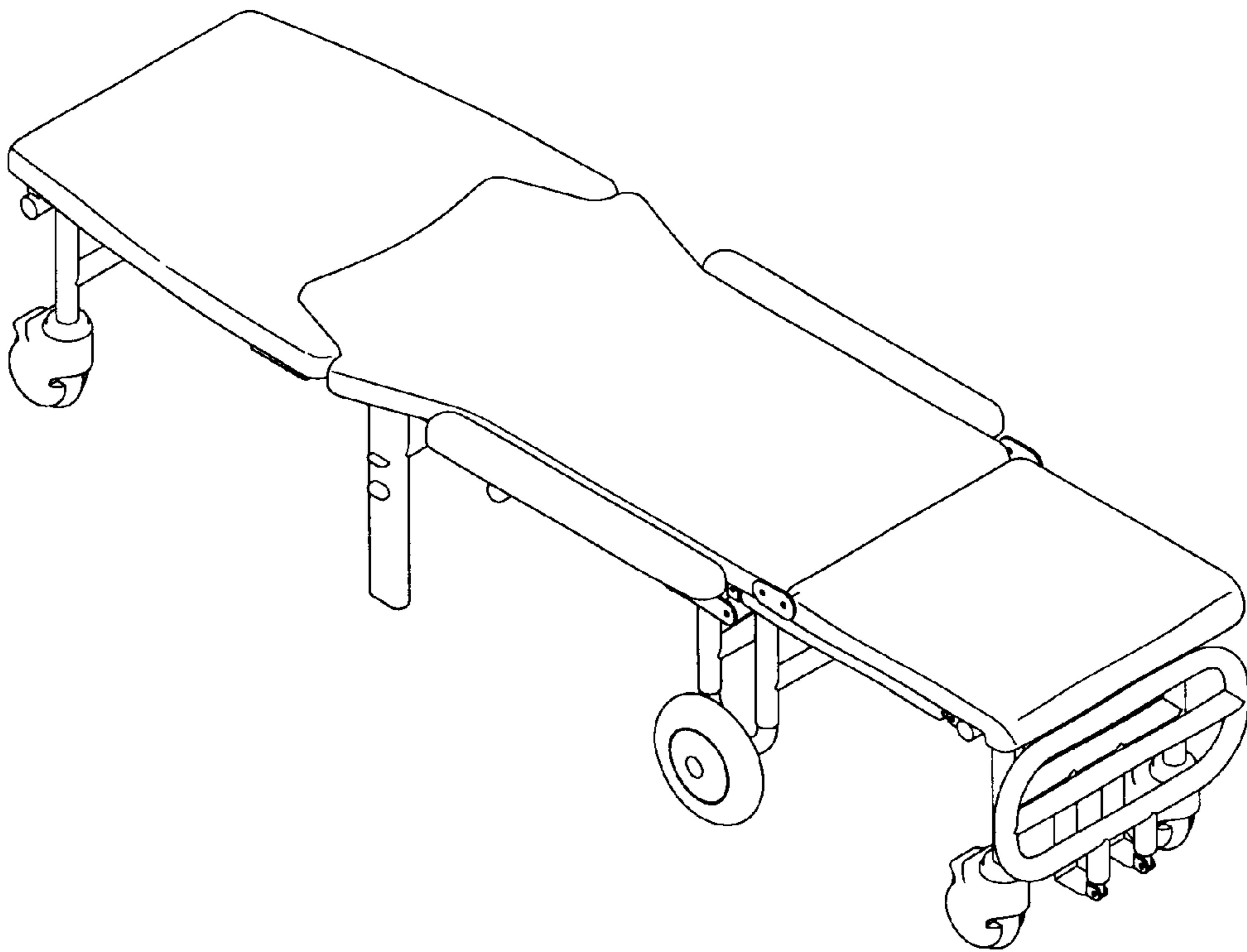


Fig. 8

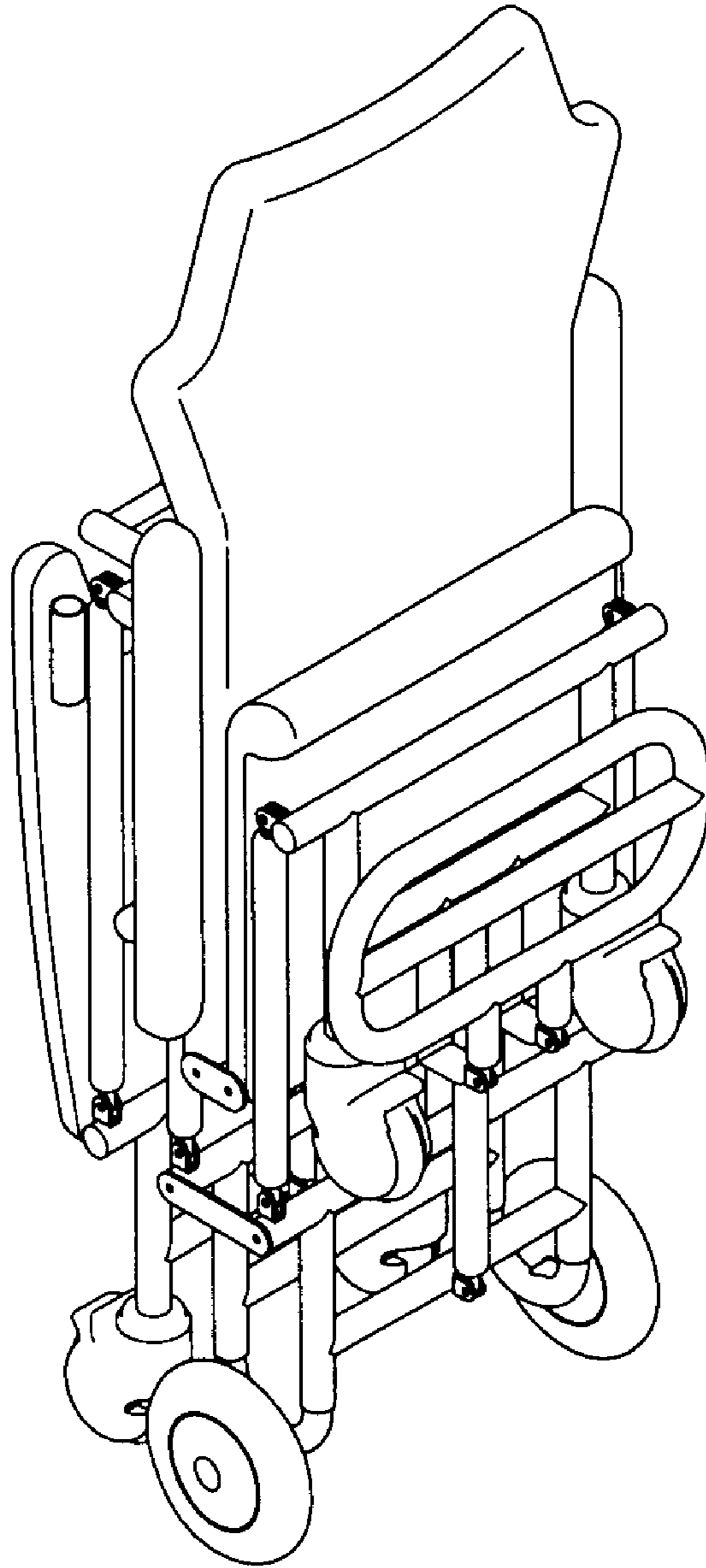


Fig. 9