



US00D487036S

(12) **United States Design Patent**
O'Connor et al.

(10) **Patent No.:** **US D487,036 S**

(45) **Date of Patent:** **** Feb. 24, 2004**

(54) **BICYCLE**

D467,203 S * 12/2002 Potter et al. D12/111

(75) Inventors: **Paul O'Connor**, Portland, OR (US);
Angela Martin, Portland, OR (US);
Christopher Sautter, Portland, OR (US);
Paul Atwood, Corvallis, OR (US);
Ryan Goodwin, Corvallis, OR (US)

* cited by examiner

Primary Examiner—Alan P. Douglas
Assistant Examiner—Linda Brooks
(74) *Attorney, Agent, or Firm*—Marger Johnson & McCollom, PC

(73) Assignee: **Bigha Manufacturing, Inc.**, Corvallis, OR (US)

(57) **CLAIM**

The ornamental design for a bicycle, as shown and described.

(**) Term: **14 Years**

DESCRIPTION

(21) Appl. No.: **29/175,816**

FIG. 1 is a perspective view of the subject invention showing our new design;
FIG. 2 is left side, elevational view thereof;
FIG. 3 is right side, elevational view thereof;
FIG. 4 is a front elevational view thereof;
FIG. 5 is a rear elevational view thereof;
FIG. 6 is a top plan view thereof; and,
FIG. 7 is a bottom plan view thereof.

(22) Filed: **Feb. 10, 2003**

(51) **LOC (7) Cl.** **12-11**

(52) **U.S. Cl.** **D12/111**

(58) **Field of Search** D12/111; 280/274,
280/278, 281.1, 288.1–288.3, 283–288,
267

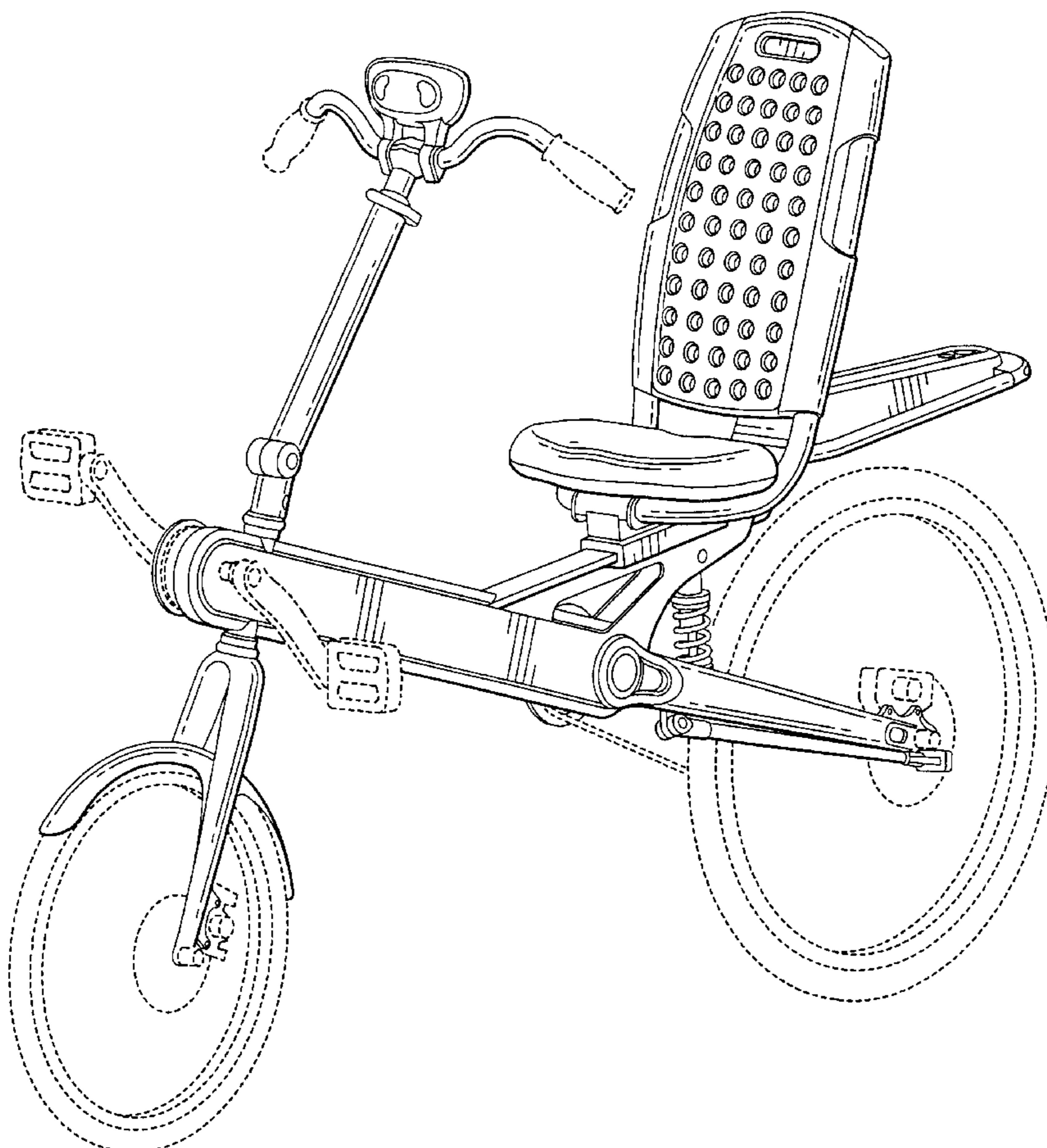
The broken lines shown are for illustrative purposes only and form no part of the claimed design.

(56) **References Cited**

U.S. PATENT DOCUMENTS

D411,970 S * 7/1999 Ullman et al. D12/111

1 Claim, 5 Drawing Sheets



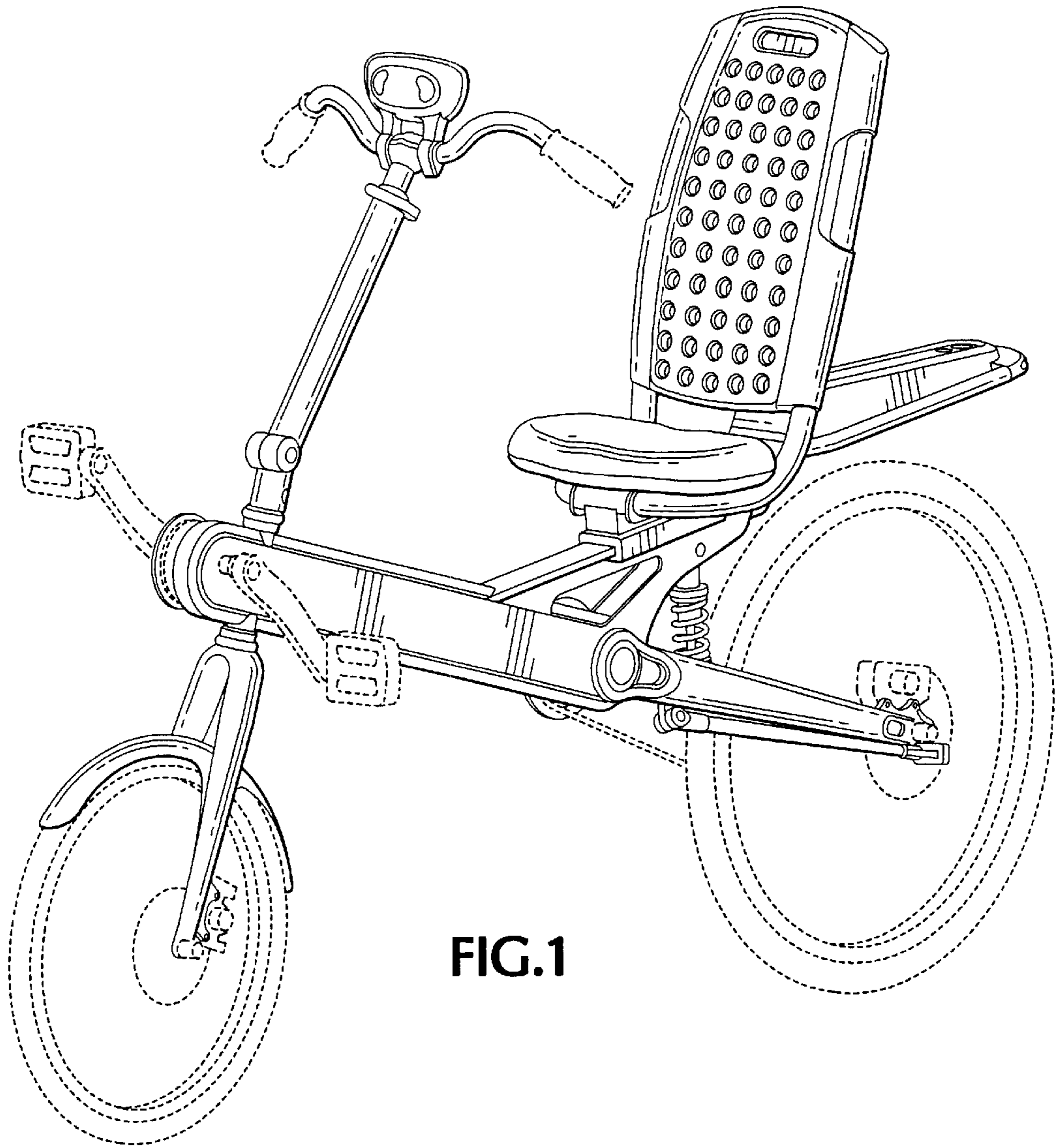


FIG.1

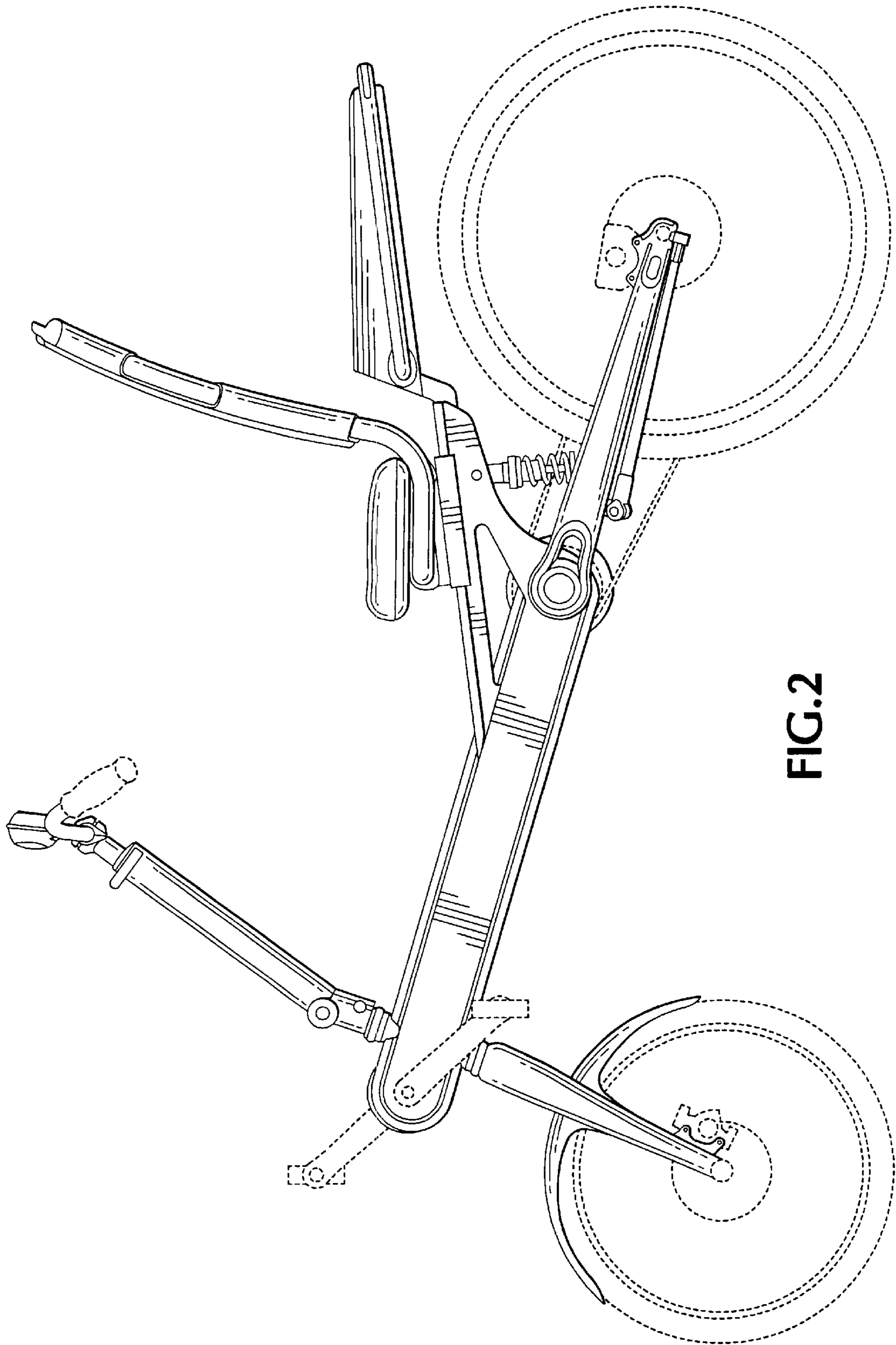


FIG.2

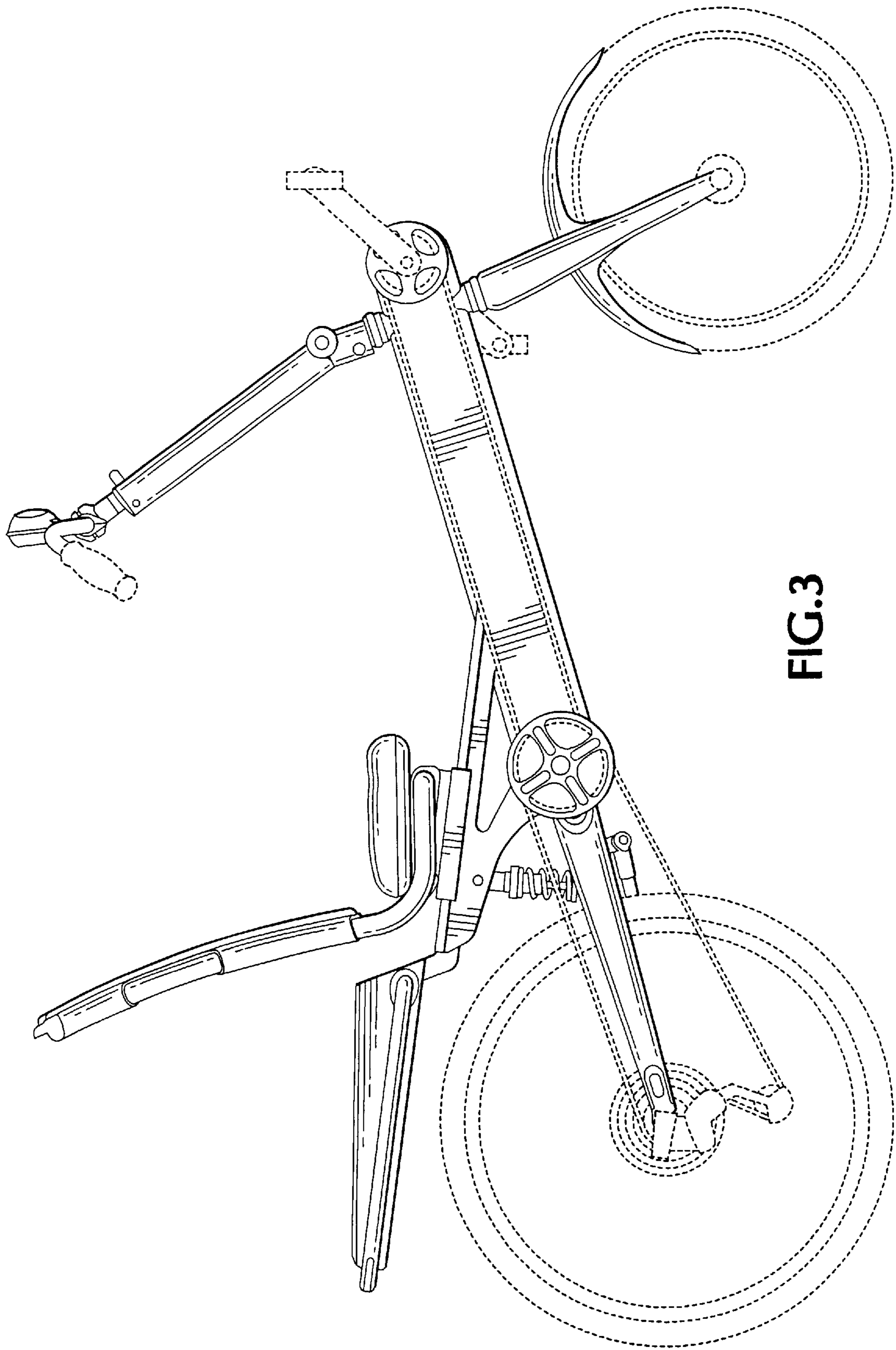


FIG.3

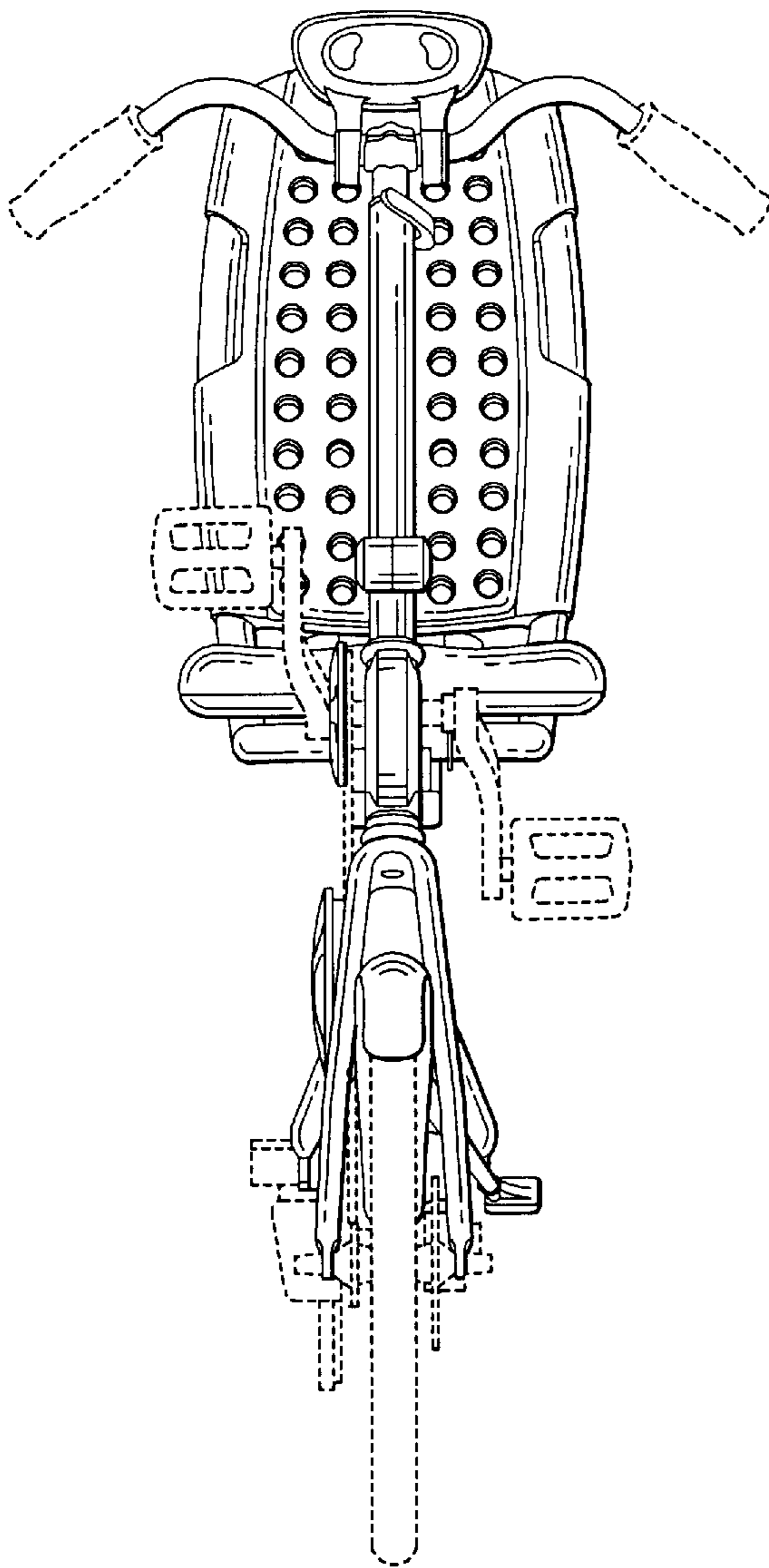


FIG.4

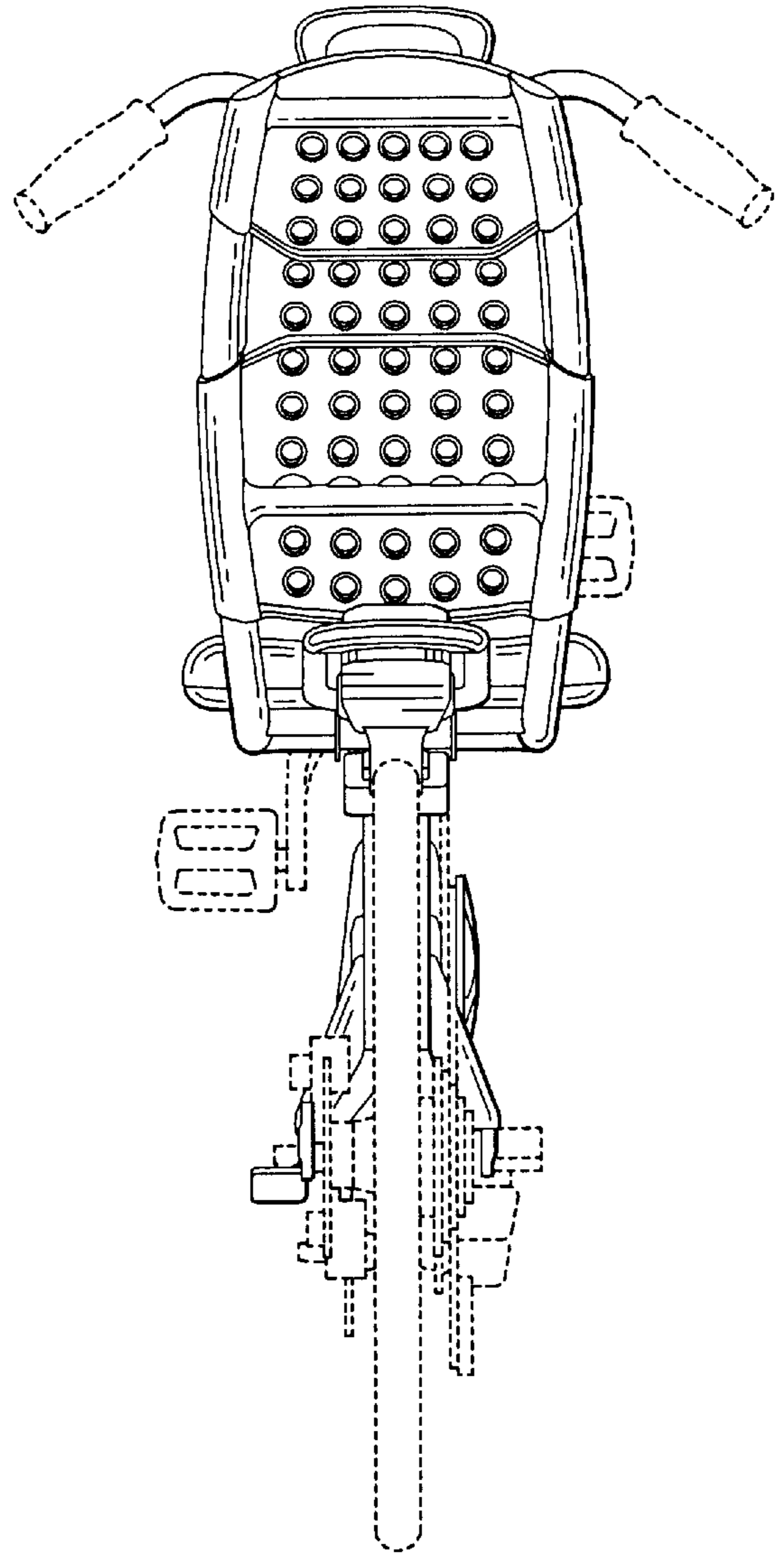


FIG.5

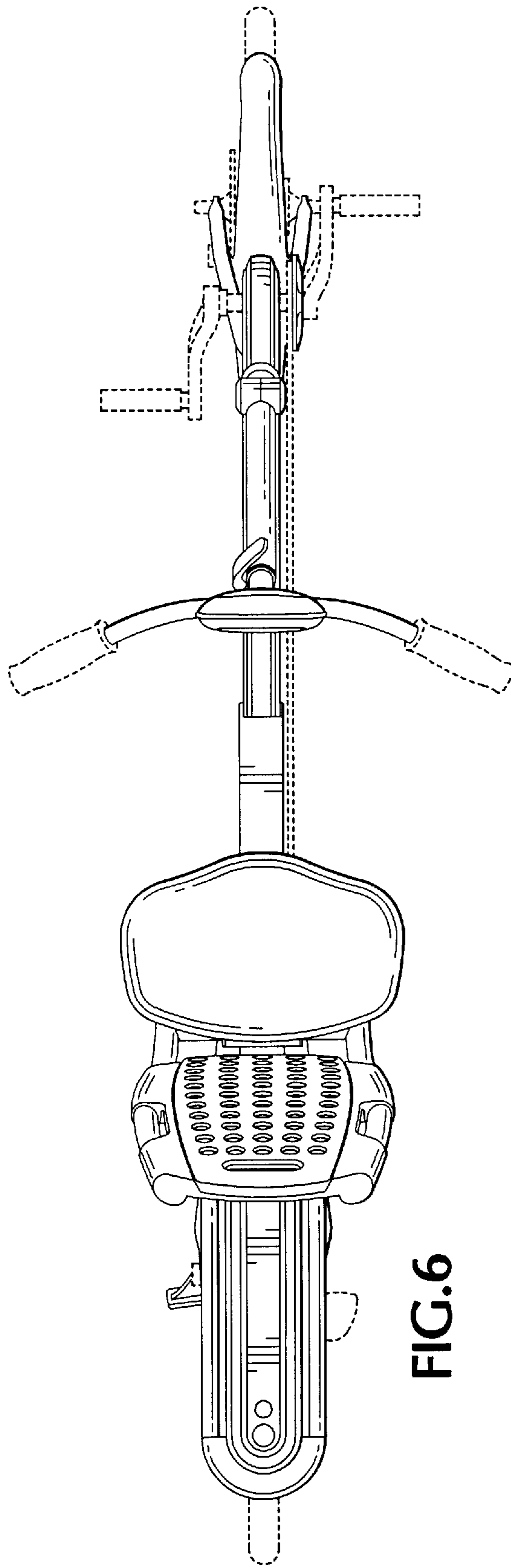


FIG. 6

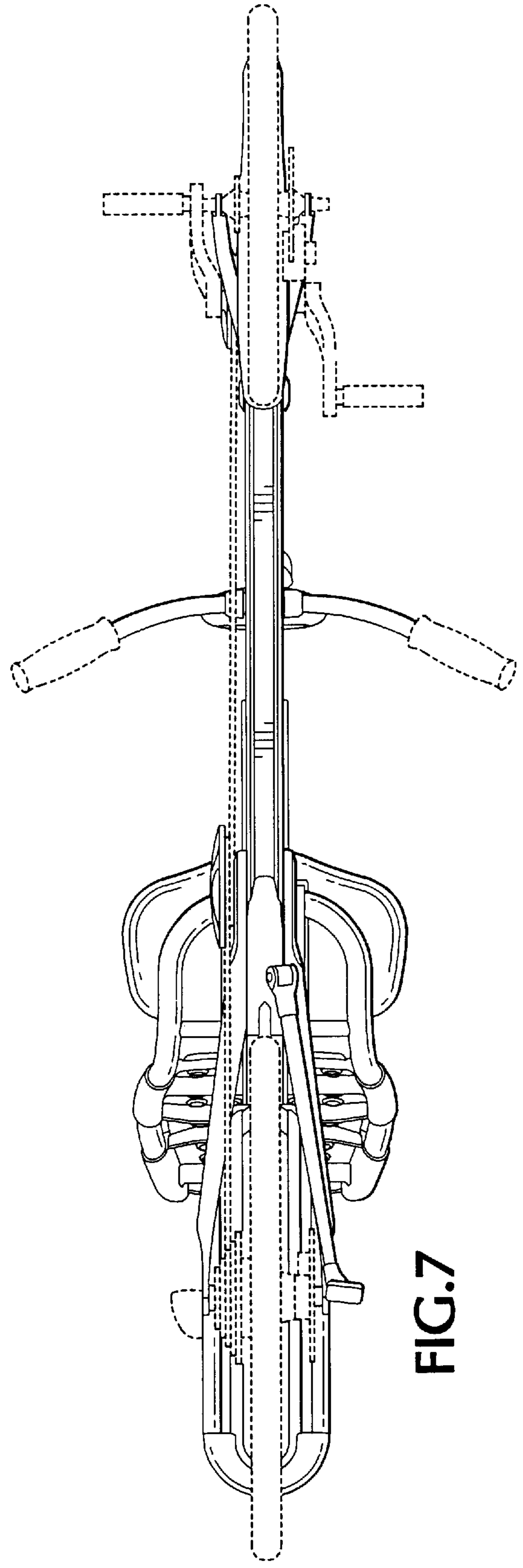


FIG. 7