



US00D487035S

(12) **United States Design Patent**  
**Bellavics**

(10) **Patent No.:** **US D487,035 S**

(45) **Date of Patent:** **\*\* Feb. 24, 2004**

(54) **STACKABLE PLANT CULTIVATING BOX**

5,410,840 A 5/1995 Loesken ..... 47/58  
D409,947 S \* 5/1999 Bongard et al. .... D11/155

(76) Inventor: **László Bellavics**, Váci út 78/b, H-1133  
Budapest (HU)

\* cited by examiner

(\*\*) Term: **14 Years**

*Primary Examiner*—Robert M. Spear  
*Assistant Examiner*—Mimosa De  
(74) *Attorney, Agent, or Firm*—Larry J. Moskowitz;  
Dickinson Wright PLLC

(21) Appl. No.: **29/172,691**

(22) Filed: **Dec. 17, 2002**

(57) **CLAIM**

(51) **LOC (7) Cl.** ..... **11-02**

The ornamental design for a stackable plant cultivating box,  
as shown and described.

(52) **U.S. Cl.** ..... **D11/155**

(58) **Field of Search** ..... D11/143, 144,  
D11/145, 148, 155, 156; 47/55, 65.5, 66.2,  
66.6, 67, 68, 69, 85, 86, 87; 206/423; 248/27.8

**DESCRIPTION**

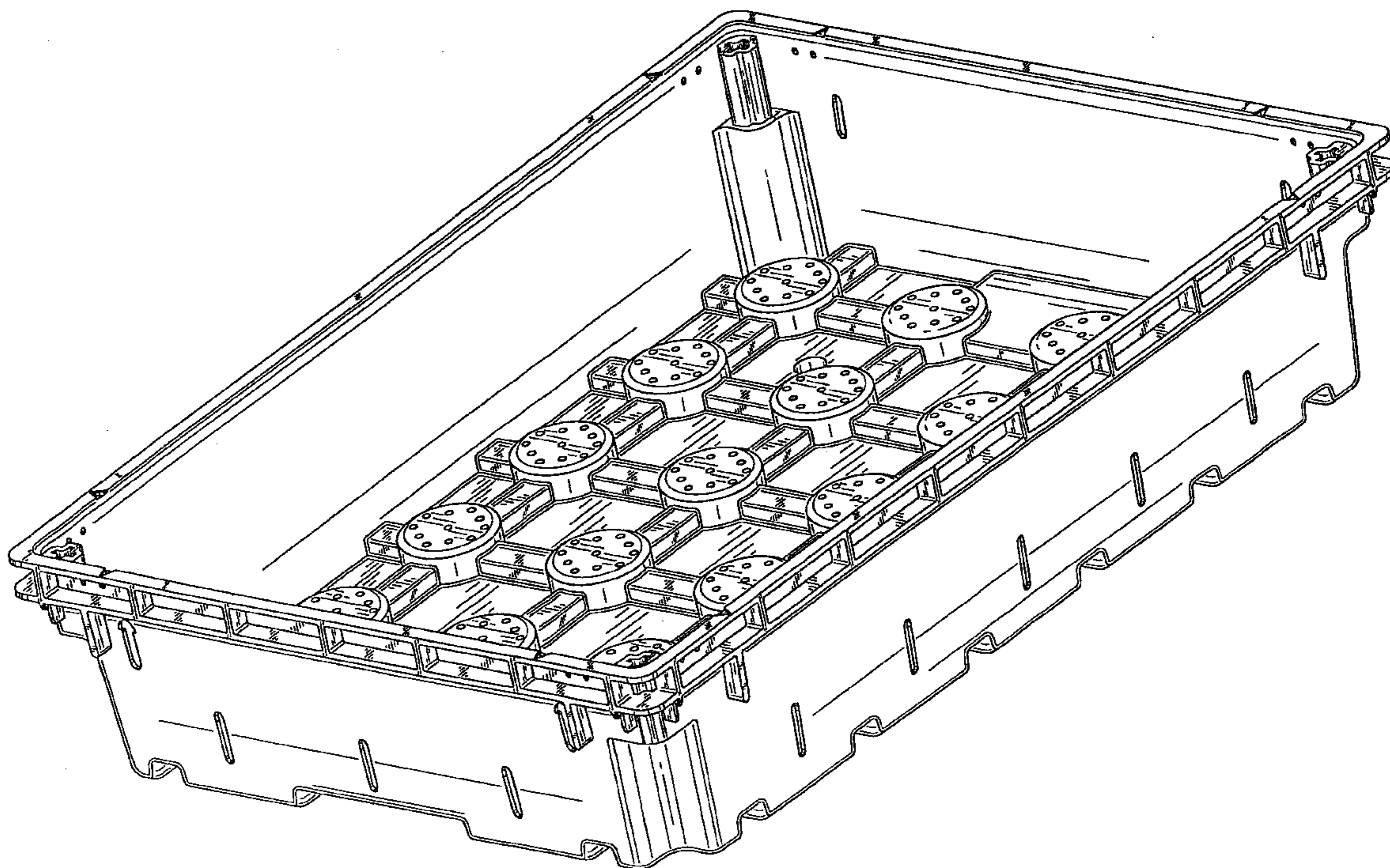
(56) **References Cited**

**U.S. PATENT DOCUMENTS**

3,561,158 A	*	2/1971	Marcan	.....	47/87
D246,096 S	*	10/1977	Trumley	.....	D11/145
4,219,494 A	*	8/1980	Fischer et al.	.....	47/69
D259,777 S	*	7/1981	Ehrreich	.....	D11/155
D267,242 S	*	12/1982	Smith et al.	.....	D11/155
D303,231 S	*	9/1989	Mottmiller et al.	.....	D11/143
4,926,586 A		5/1990	Nagamatsu	.....	47/66
D352,917 S	*	11/1994	DesLaurier	.....	D11/155

FIG. 1 is a top perspective view of a stackable plant cultivating box;  
FIG. 2 is a bottom perspective view thereof;  
FIG. 3 is a front view thereof, the opposite side being a mirror image;  
FIG. 4 is a side view thereof, the opposite side being a mirror image;  
FIG. 5 is a top view thereof; and,  
FIG. 6 is a bottom view thereof.

**1 Claim, 6 Drawing Sheets**



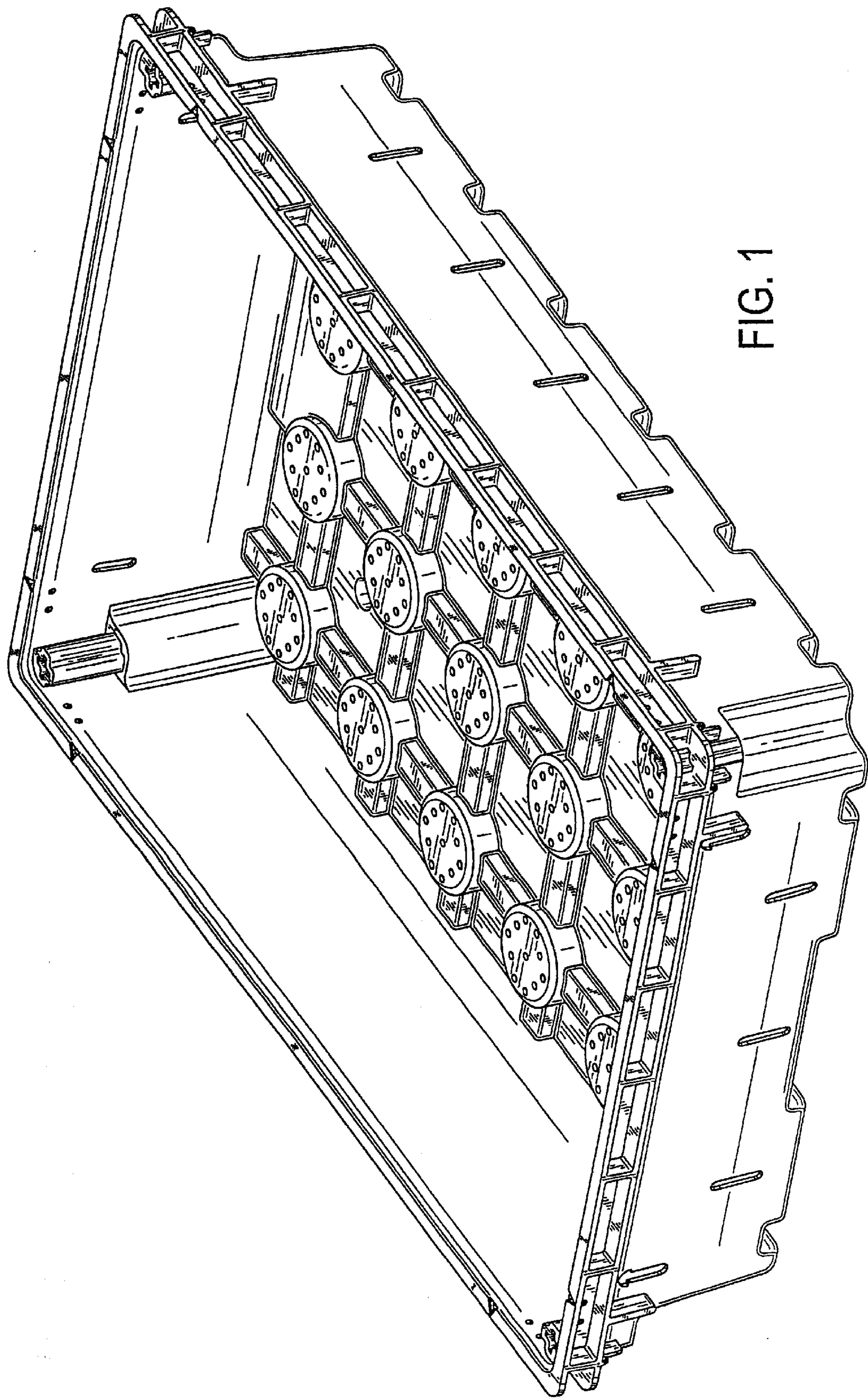


FIG. 1

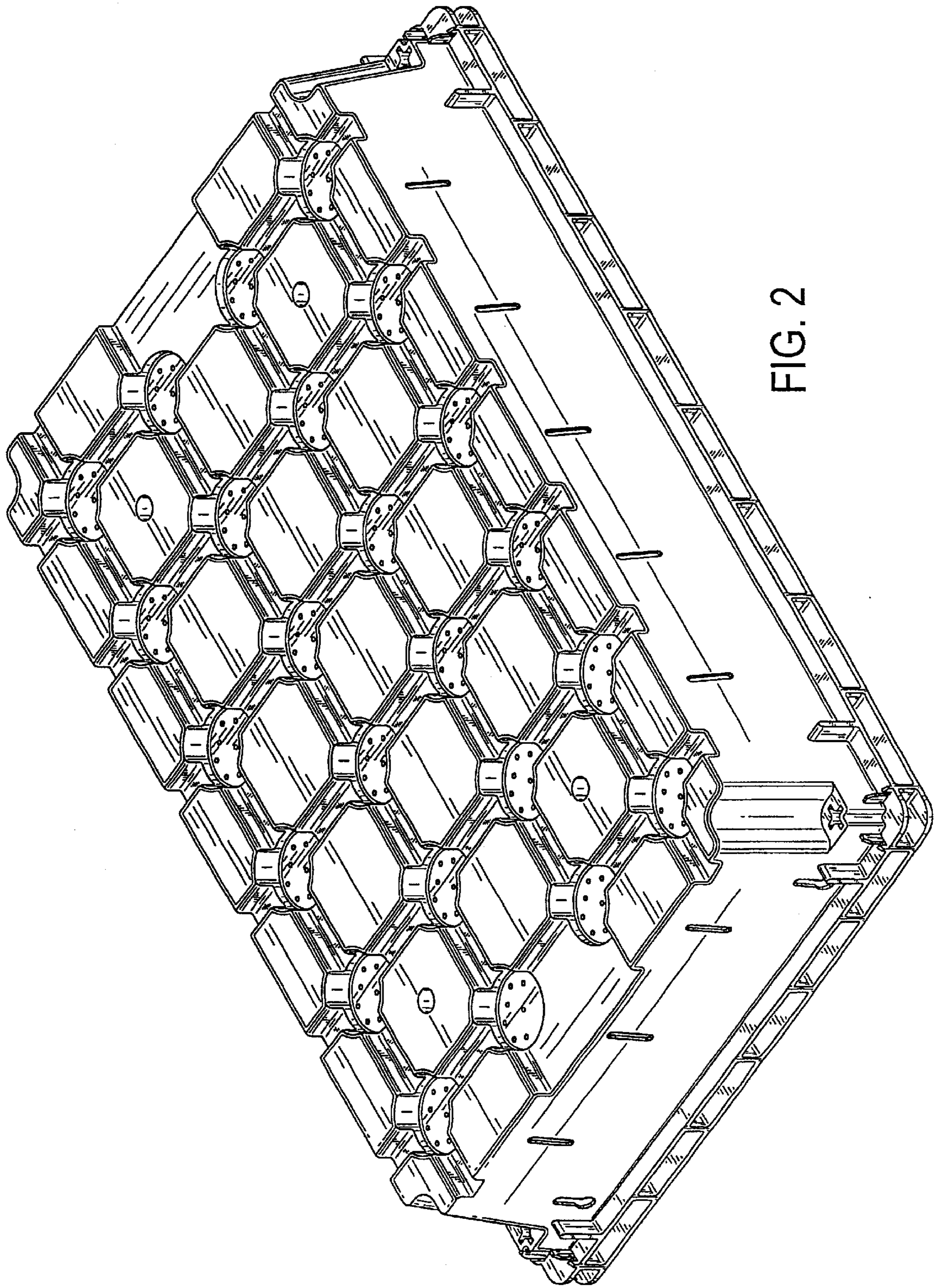


FIG. 2

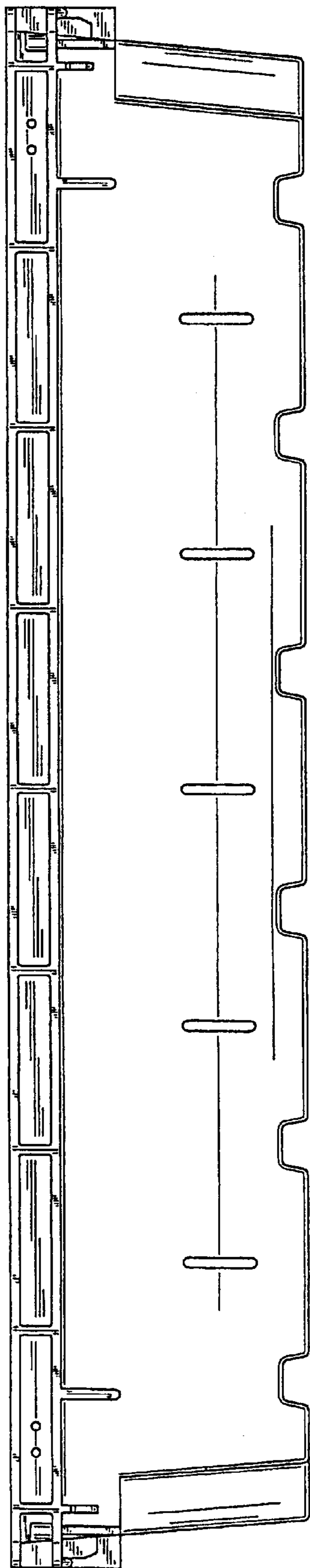


FIG. 3

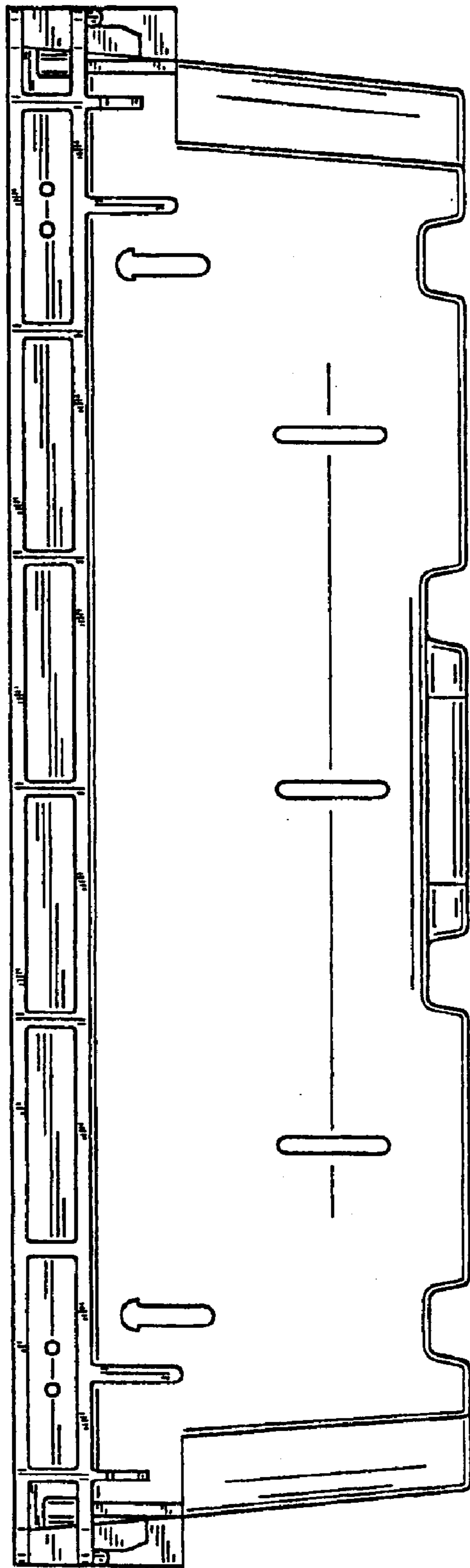


FIG. 4

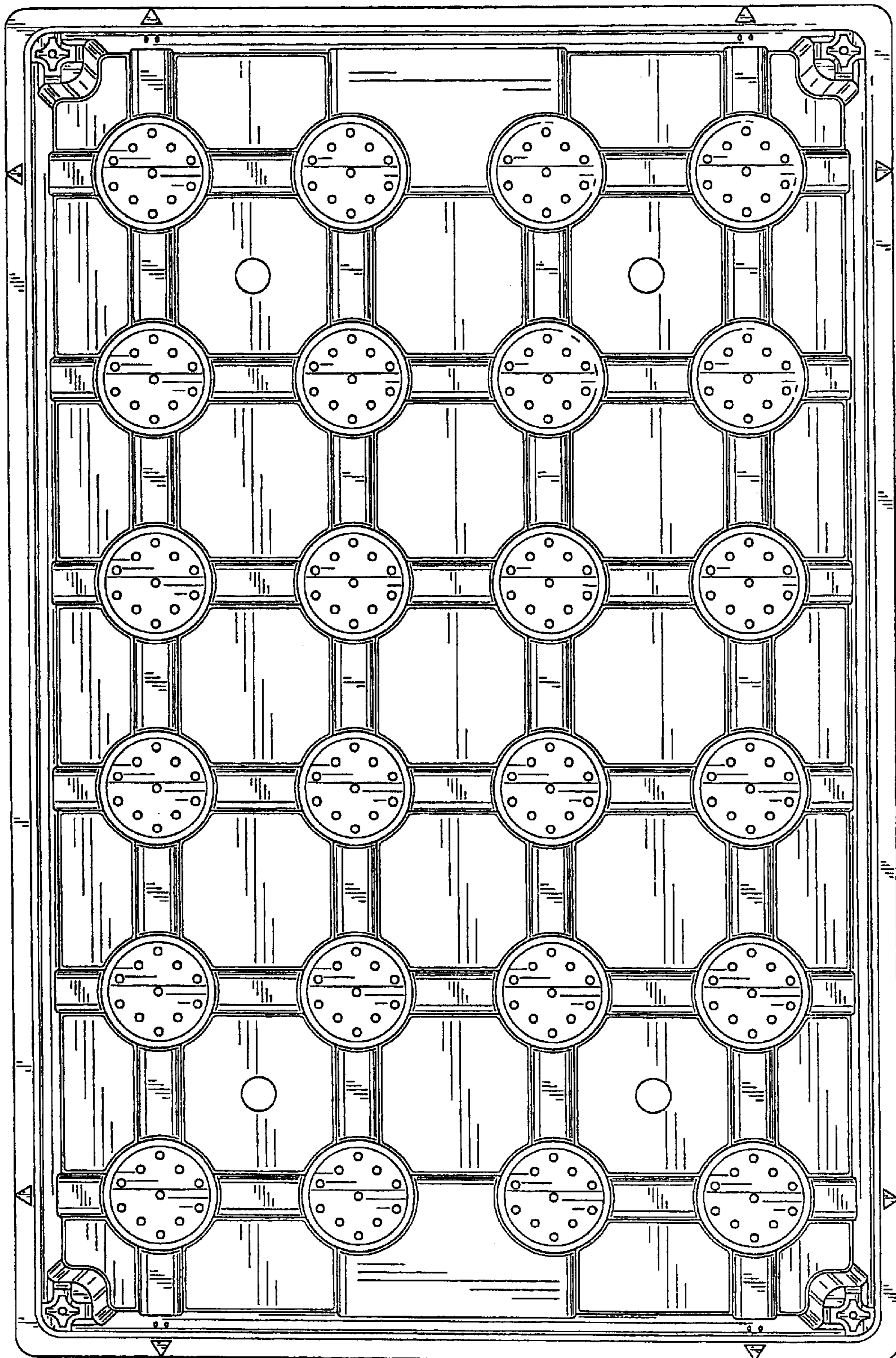


FIG. 5

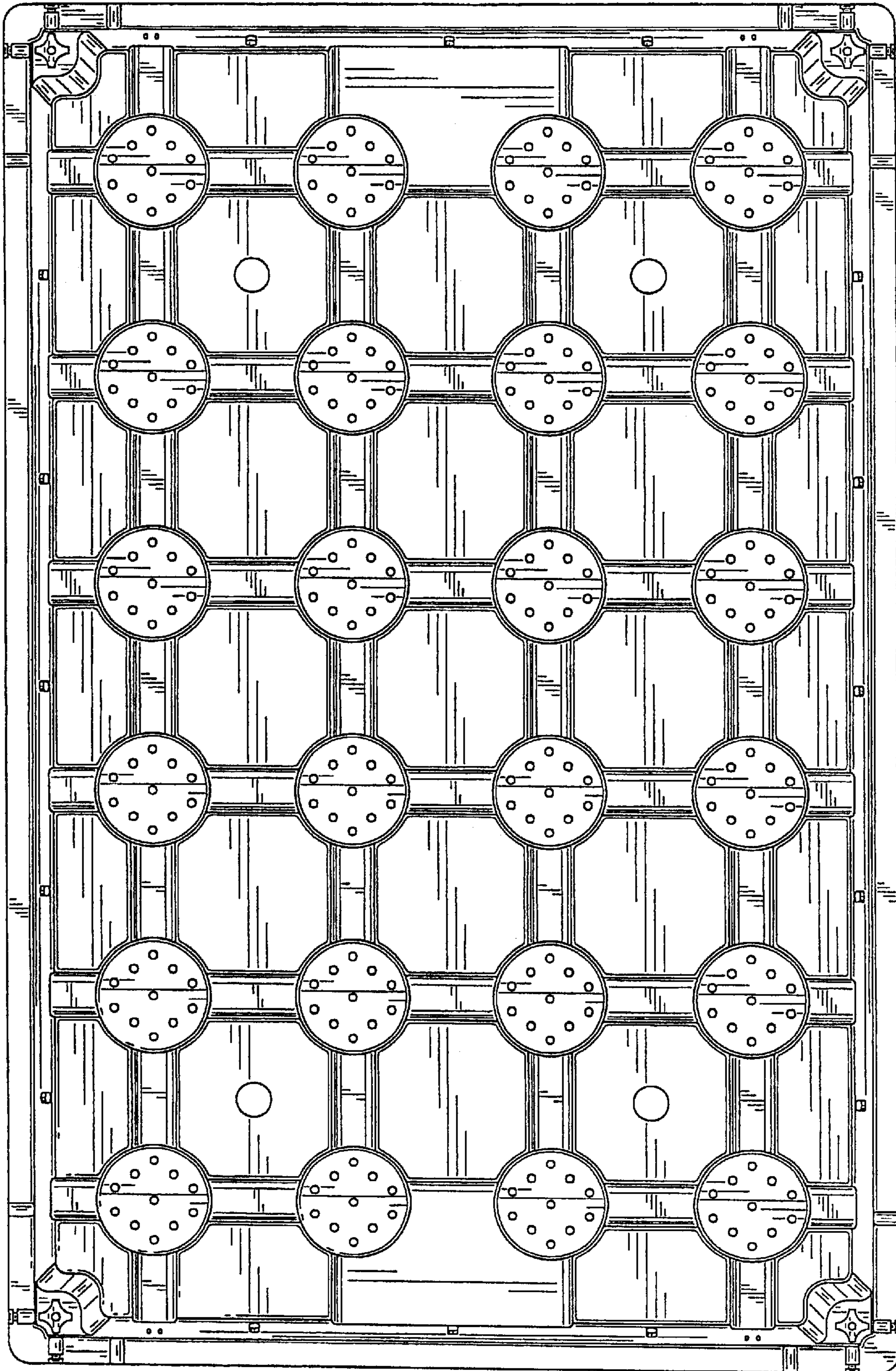


FIG. 6