



US00D487025S

(12) **United States Design Patent**
Grunstad et al.

(10) **Patent No.:** **US D487,025 S**

(45) **Date of Patent:** **** Feb. 24, 2004**

(54) **TAPE MEASURE**

D441,309 S 5/2001 Evans, Jr. et al.
D453,694 S 2/2002 Evans, Jr. et al.

(75) Inventors: **Jerome Allan Grunstad**, Inver Grove Heights, MN (US); **Michael Horvath**, Cottage Grove, MN (US); **David C. Munkwitz**, Eau Claire, WI (US); **Wayne Patrick Phillips**, Hudson, WI (US)

* cited by examiner

Primary Examiner—Antoine Duval Davis
(74) *Attorney, Agent, or Firm*—Alston & Bird LLP

(73) Assignee: **The L. S. Starrett Company**, Athol, MA (US)

(57) **CLAIM**

The ornamental design for a tape measure, as shown and described.

(**) Term: **14 Years**

DESCRIPTION

(21) Appl. No.: **29/171,305**

FIG. 1 is a perspective view of the front and right-hand side of a tape measure showing a first embodiment of our new design;

(22) Filed: **Nov. 20, 2002**

FIG. 2 is a perspective view of the rear and left-hand side of a tape measure showing the first embodiment of our new design;

(51) **LOC (7) Cl.** **10-04**

(52) **U.S. Cl.** **D10/74**

FIG. 3 is a right side elevational view of FIG. 1;

(58) **Field of Search** D10/72, 74; 33/755-771

FIG. 4 is a front elevational view thereof;

FIG. 5 is a top view thereof;

(56) **References Cited**

U.S. PATENT DOCUMENTS

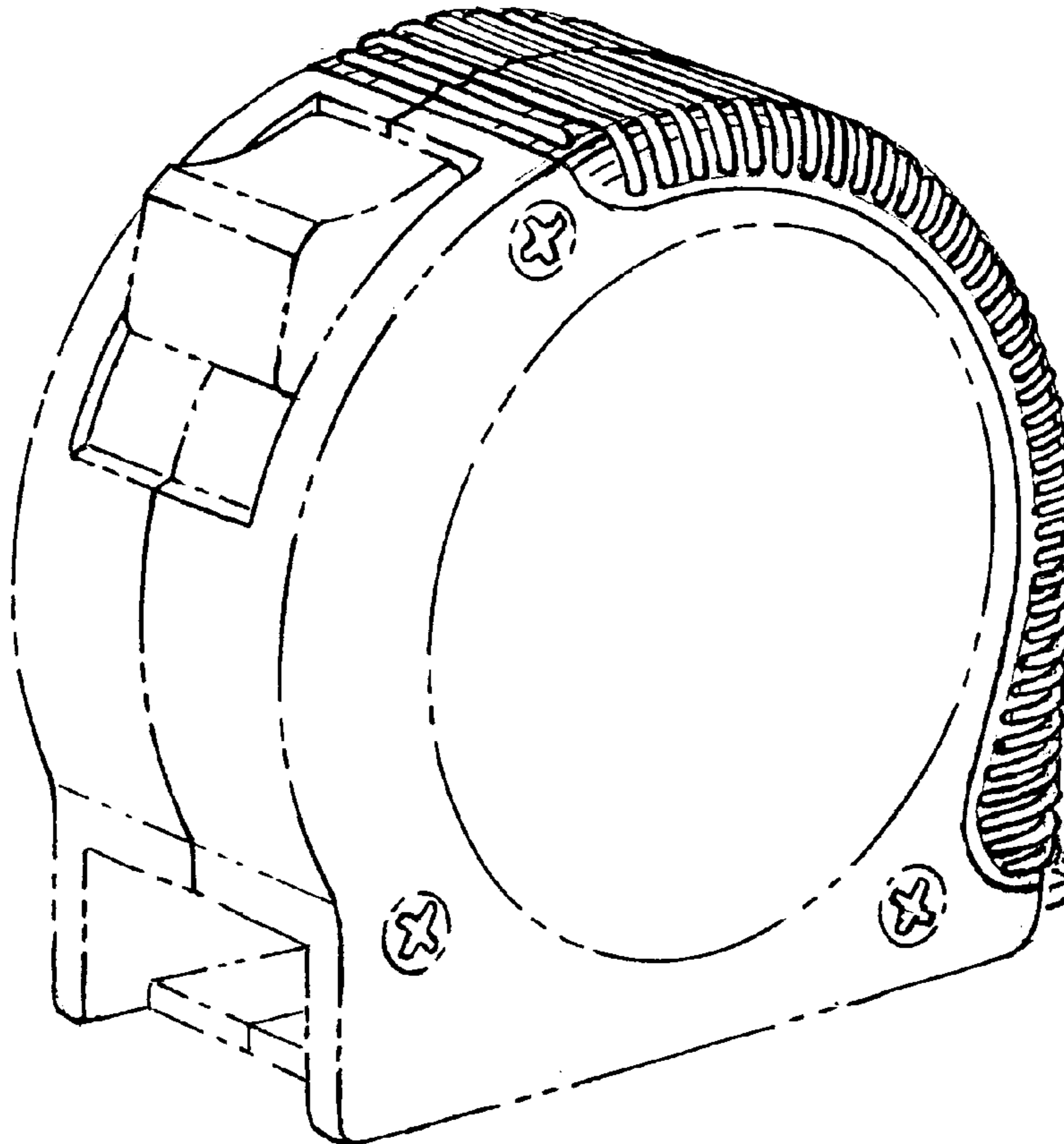
- 5,746,004 A 5/1998 Wertheim
- D409,103 S * 5/1999 Li D10/72
- D419,081 S 1/2000 Evans, Jr. et al.

FIG. 6 is a left side elevation showing the opposite side of FIG. 3;

FIG. 7 is a rear elevational view thereof; and,

FIG. 8 is a bottom view thereof.

1 Claim, 3 Drawing Sheets



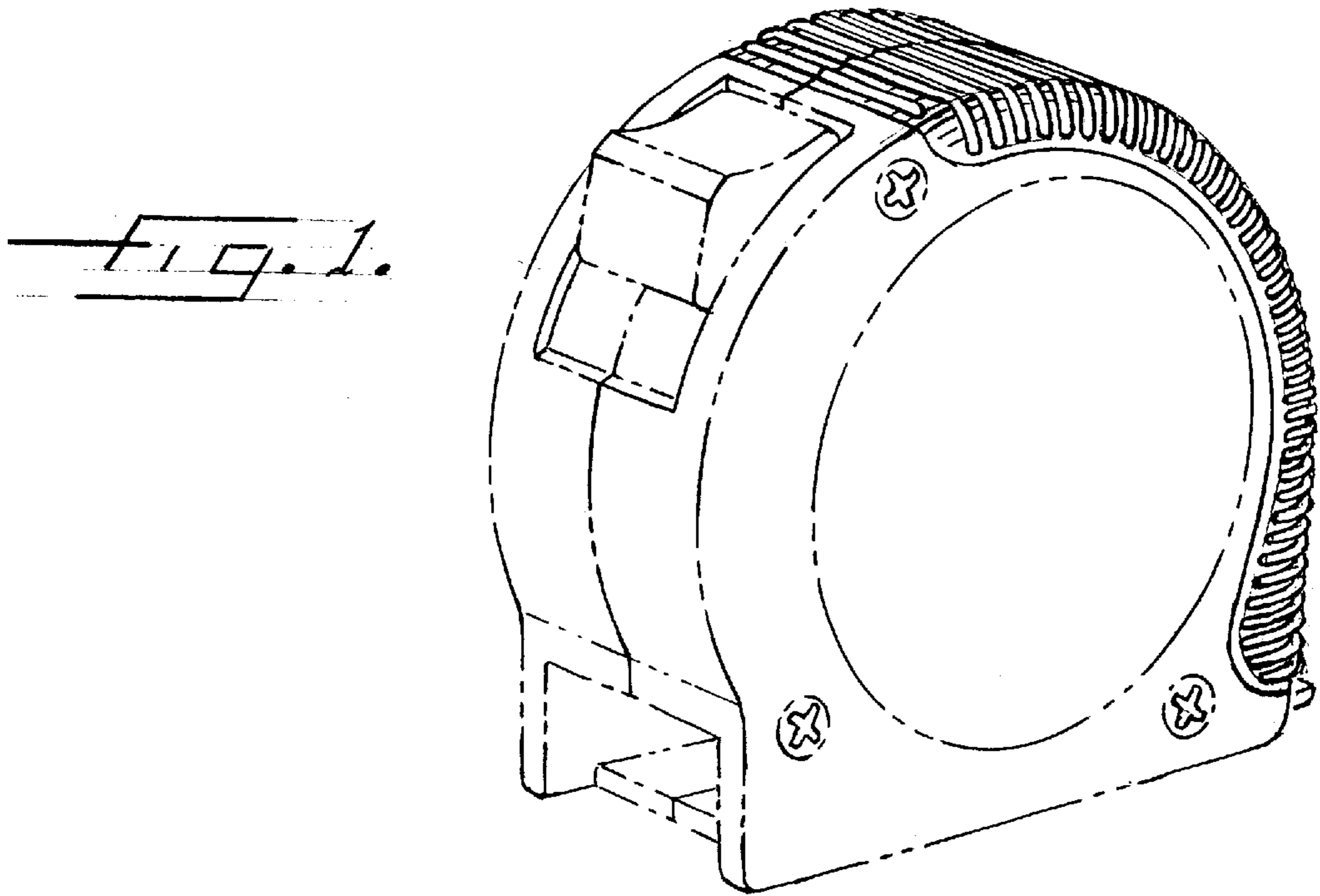


FIG. 1.

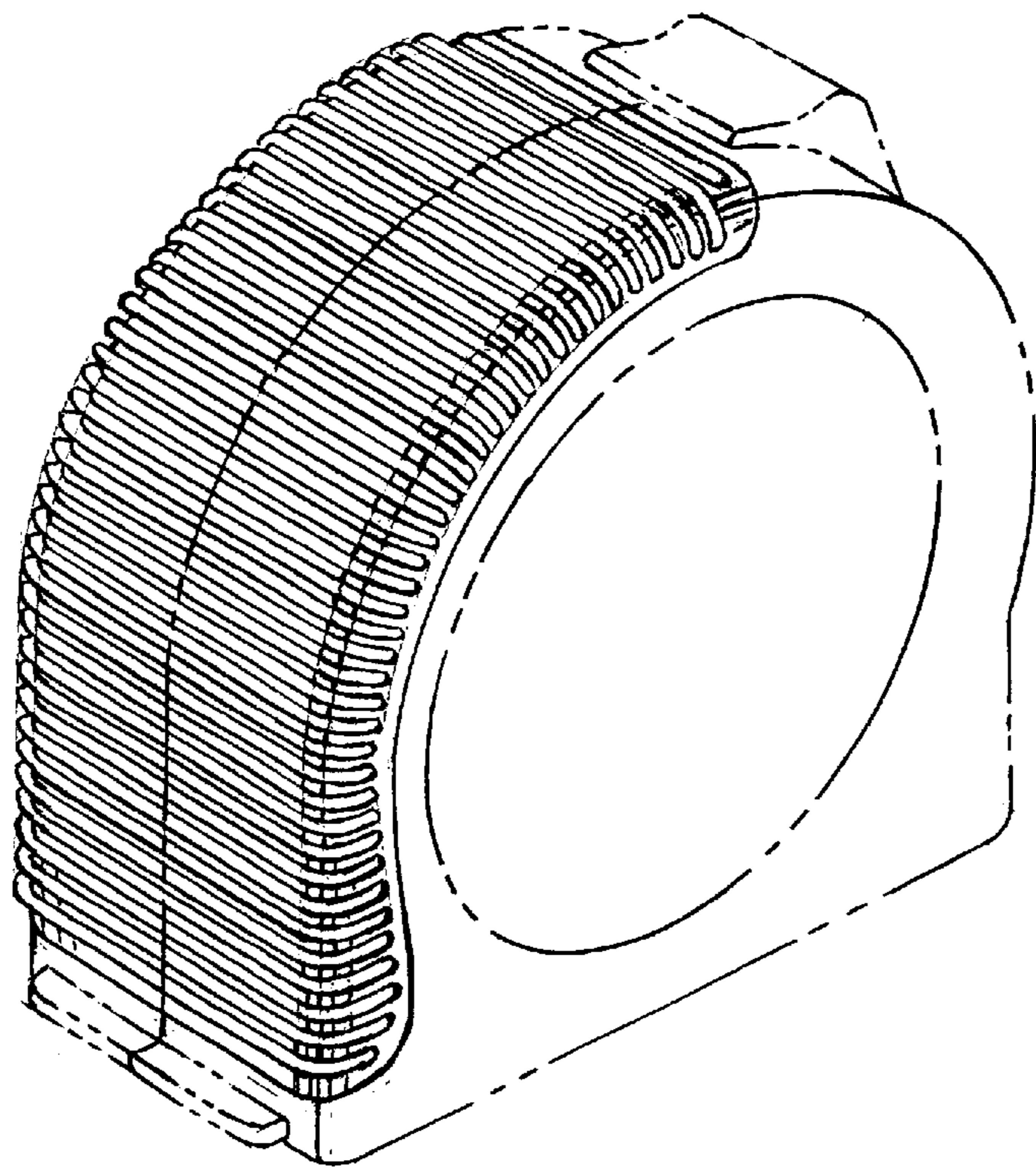


FIG. 2.

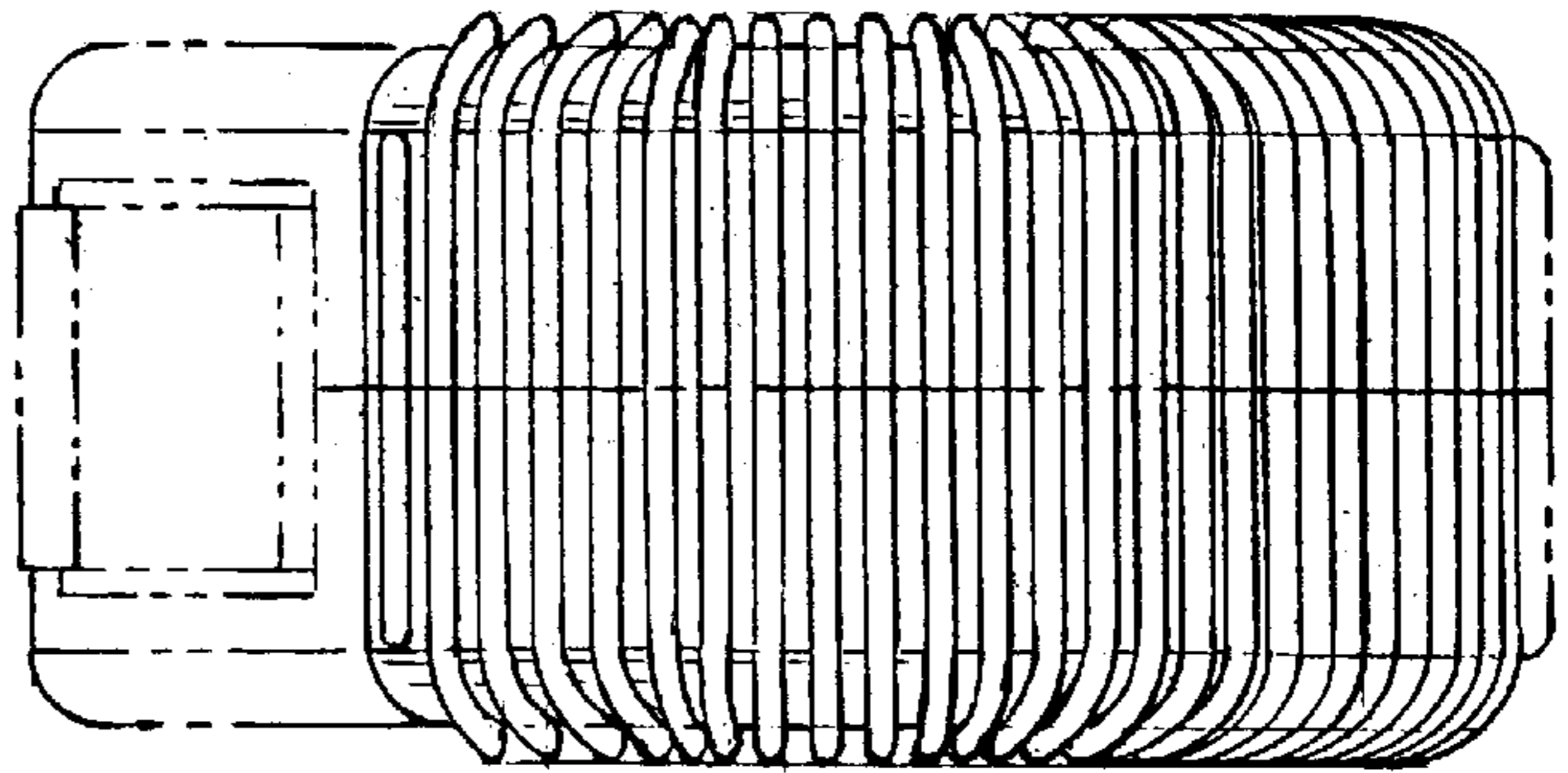


FIG. 5.

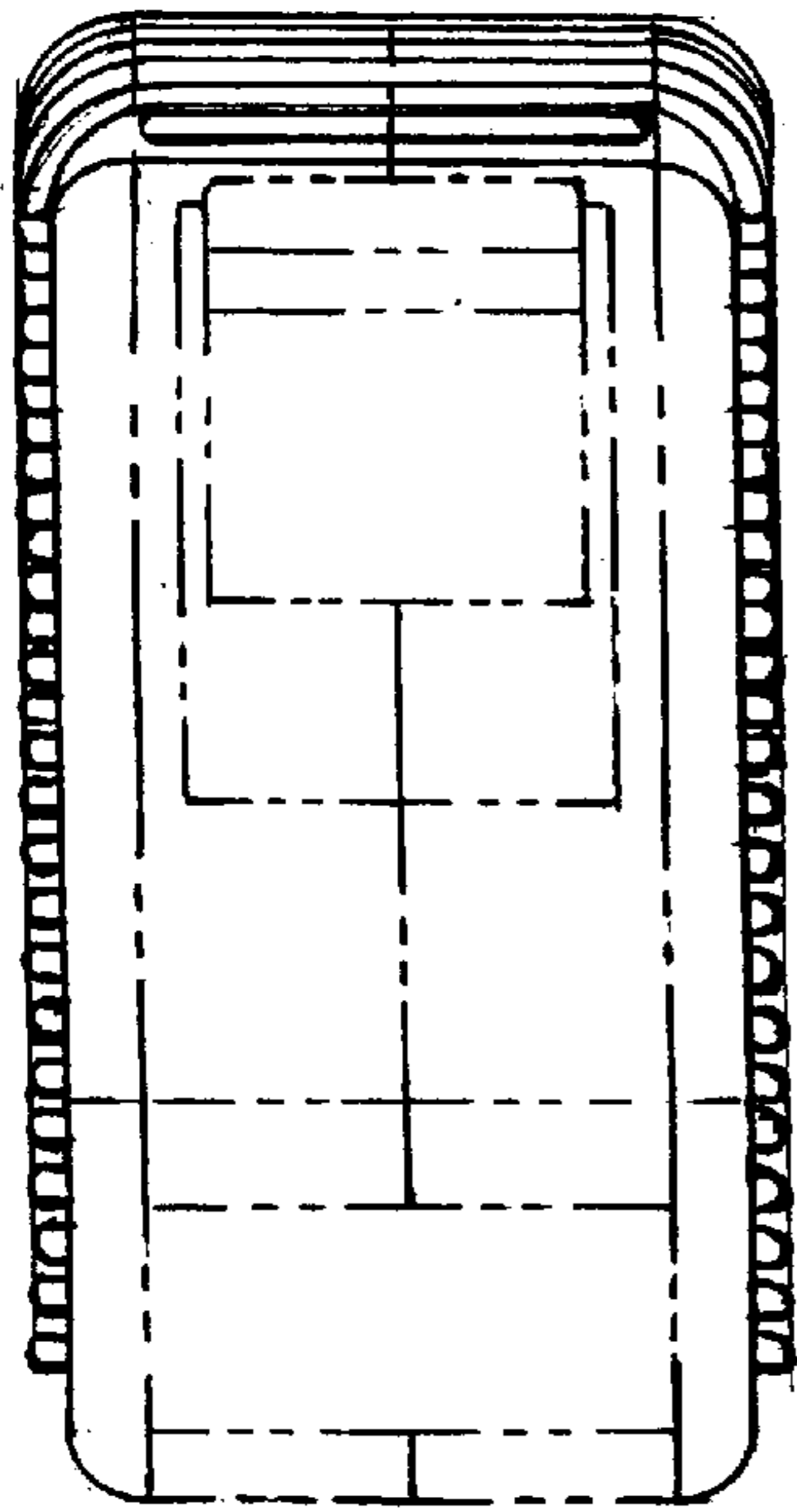


FIG. 4.

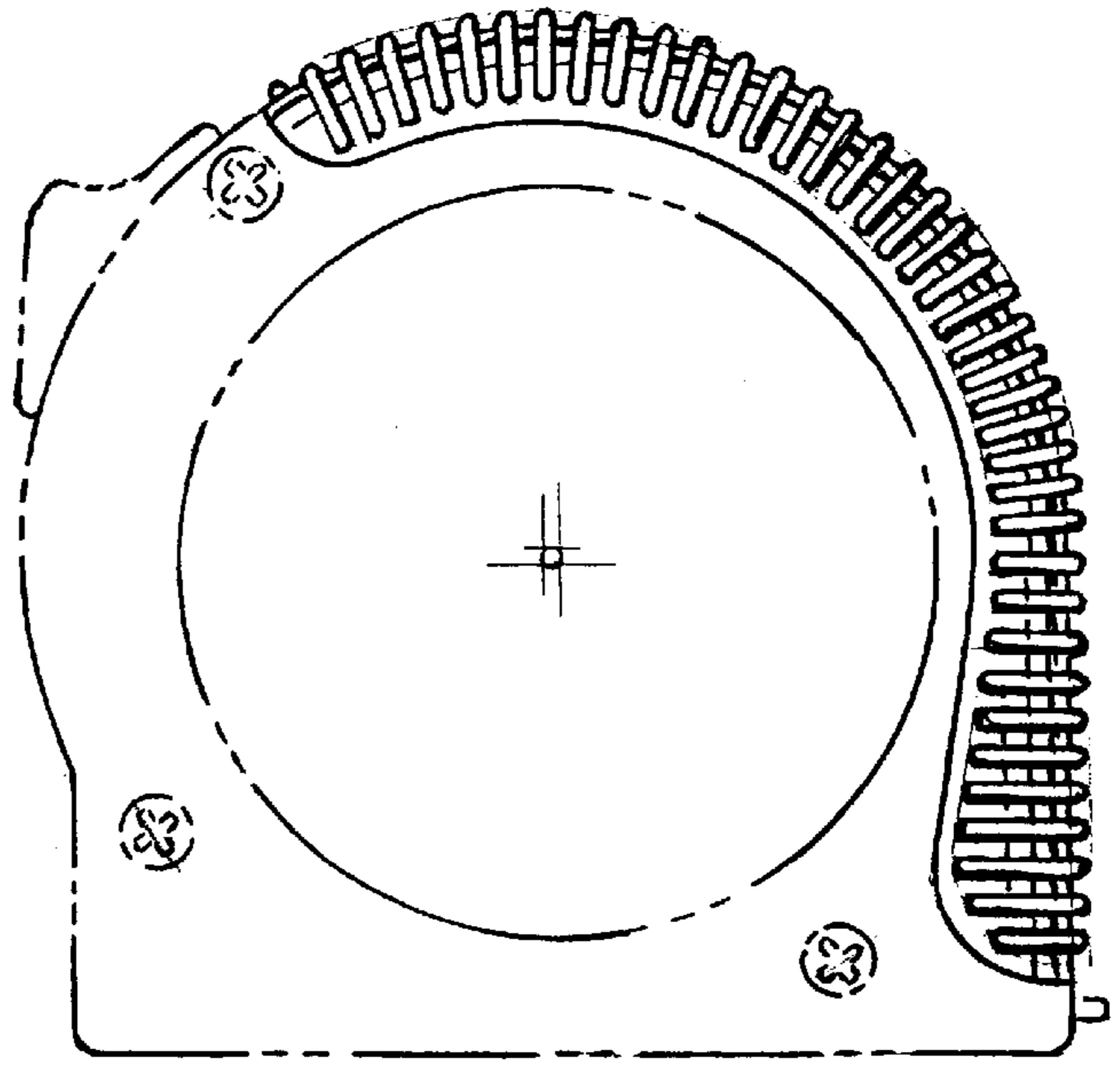


FIG. 3.

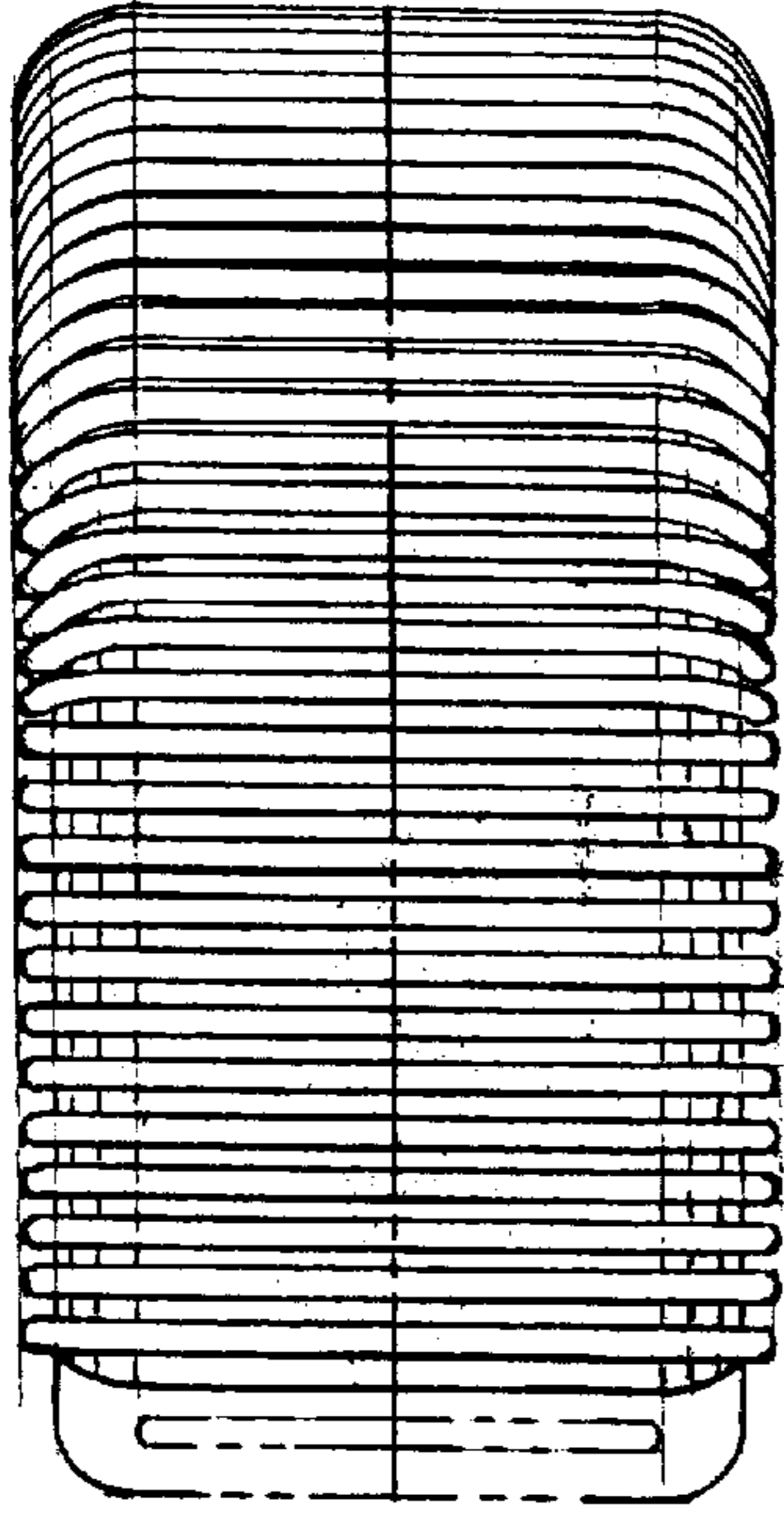


FIG. 7.

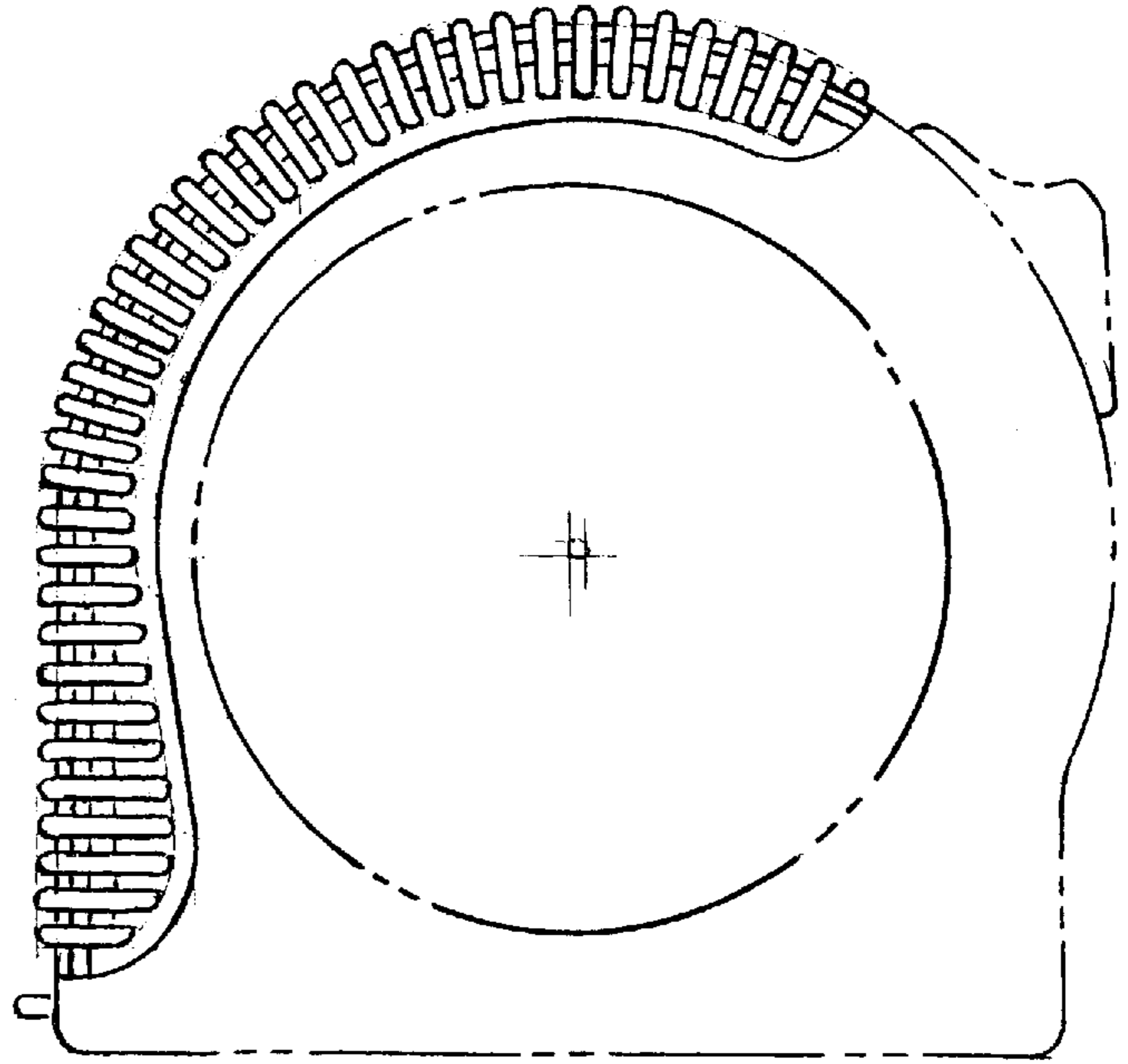


FIG. 6.

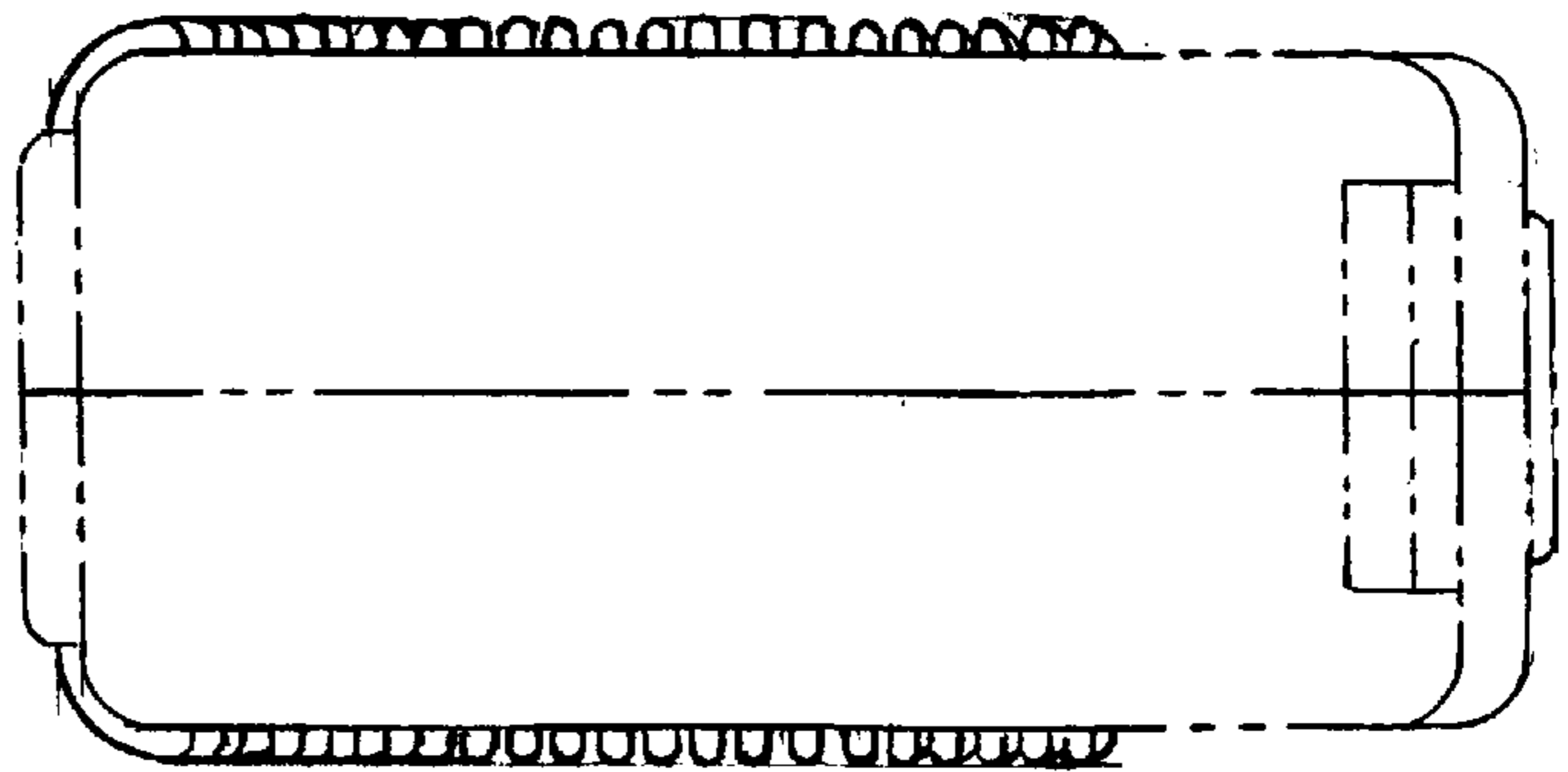


FIG. 8.