



US00D487023S

(12) **United States Design Patent** (10) **Patent No.:** **US D487,023 S**
Takahashi (45) **Date of Patent:** **** Feb. 24, 2004**

(54) **LOCATING SYSTEM TERMINAL**

(75) Inventor: **Hitoshi Takahashi**, Tokyo (JP)
(73) Assignee: **Sony Corporation**, Tokyo (JP)
(**) Term: **14 Years**

(21) Appl. No.: **29/159,789**
(22) Filed: **Apr. 30, 2002**

(51) **LOC (7) Cl.** **10-04**
(52) **U.S. Cl.** **D10/65**
(58) **Field of Search** D10/65; 200/302.2;
361/394, 422, 784; 364/444, 495, 208.1,
450; 367/88, 111, 98, 908; 342/419, 457,
352.01–352.09; 343/202, 878

(56) **References Cited**

U.S. PATENT DOCUMENTS

5,219,067	A	*	6/1993	Lima et al.	200/302.2
5,450,344	A	*	9/1995	Woo et al.	364/444 X
D421,597	S		3/2000	Oba		
D421,967	S		3/2000	Oba et al.		
D427,159	S		6/2000	Oba		
D432,505	S		10/2000	Oba et al.		
6,373,430	B1	*	4/2002	Beason et al.	342/357.09

OTHER PUBLICATIONS

Sony Press release, <http://www.sony.co.jp/SonyInfo/News/Press/200011/00-1114/>, 4 sheets, Sony Corporation (Nov. 2000).
Home page “ZDNet, Japan, Products Center, Sony Memory Stick & GPS, <http://www.zdnet.co.jp/mofile/palm/news/0109/11/000000000000235.html>”, 5 sheets, ZDNET, Japan, (Sep. 2001).

* cited by examiner

Primary Examiner—Antoine Duval Davis
(74) *Attorney, Agent, or Firm*—Rader, Fishman & Grauer PLLC

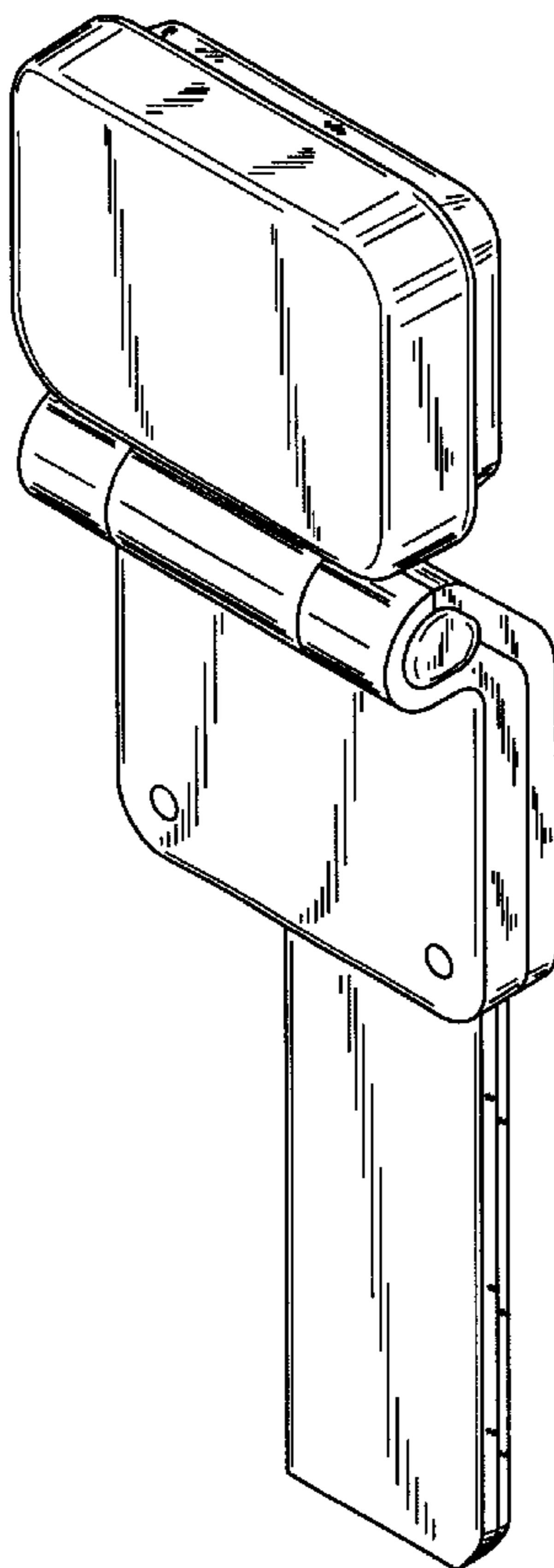
(57) **CLAIM**

The ornamental design for a locating system terminal, as shown.

DESCRIPTION

FIG. 1 is a perspective view of a locating system terminal showing my new design;
FIG. 2 is a front elevational view thereof;
FIG. 3 is a rear elevational view thereof;
FIG. 4 is a left side elevational view thereof;
FIG. 5 is a right side elevational view thereof;
FIG. 6 is a top plan view thereof; and,
FIG. 7 is a bottom plan view thereof.

1 Claim, 4 Drawing Sheets



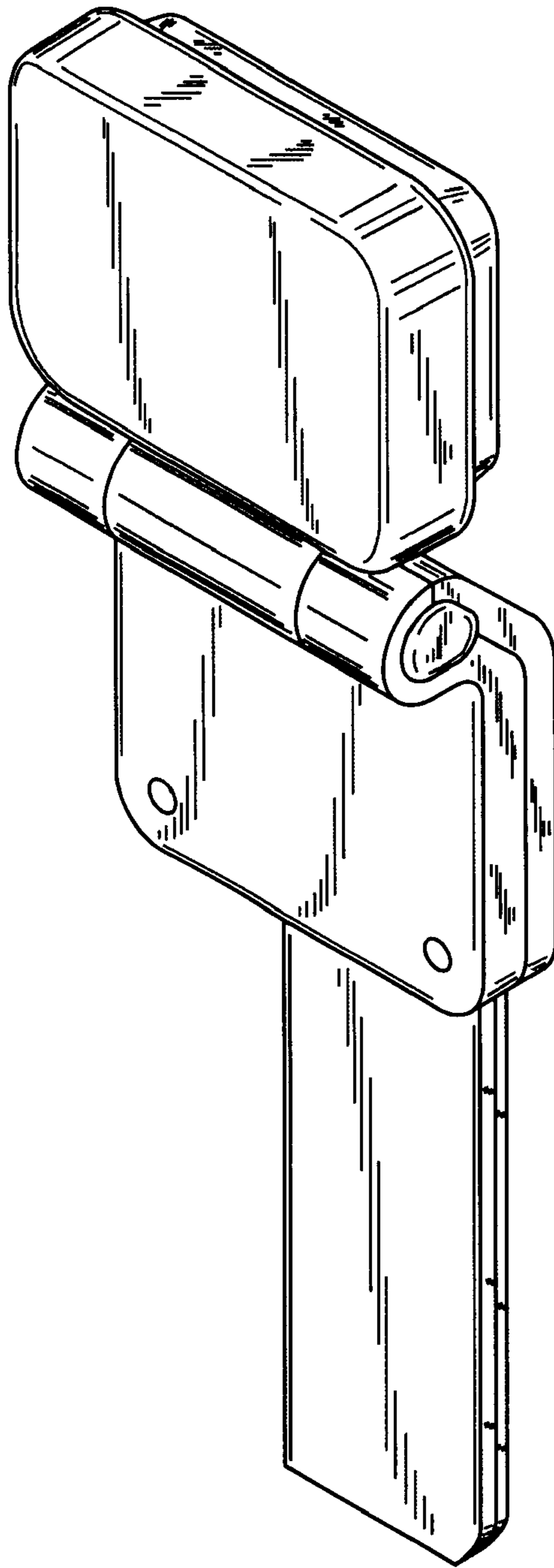


Fig. 1

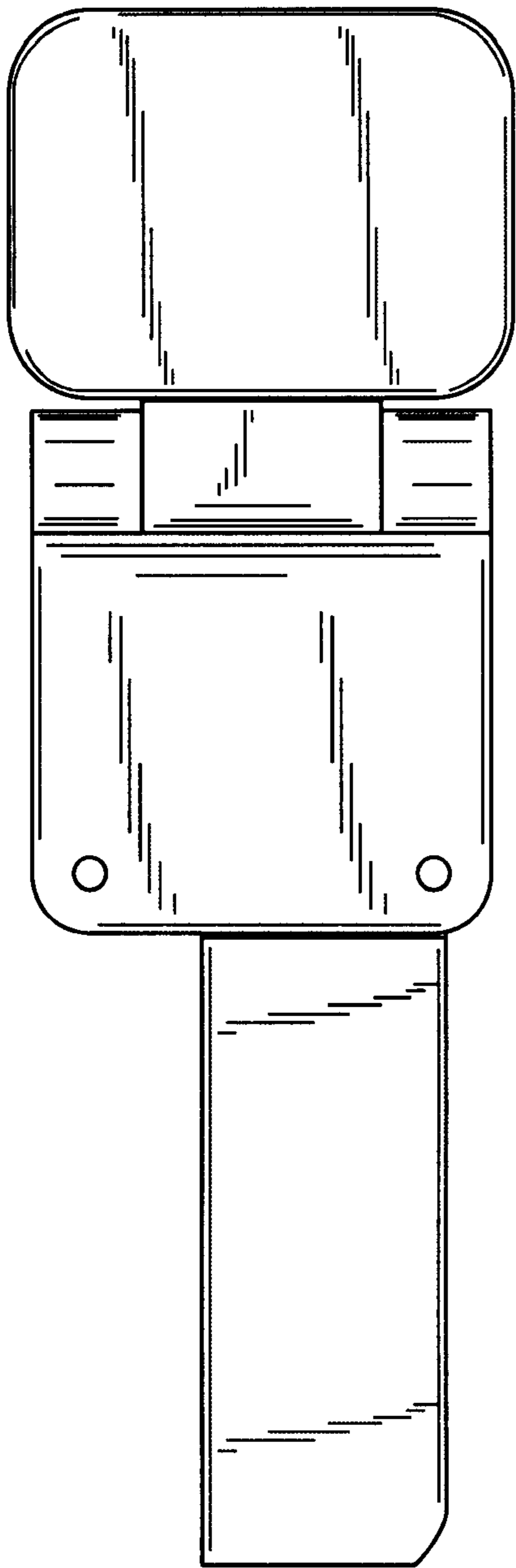


Fig. 2

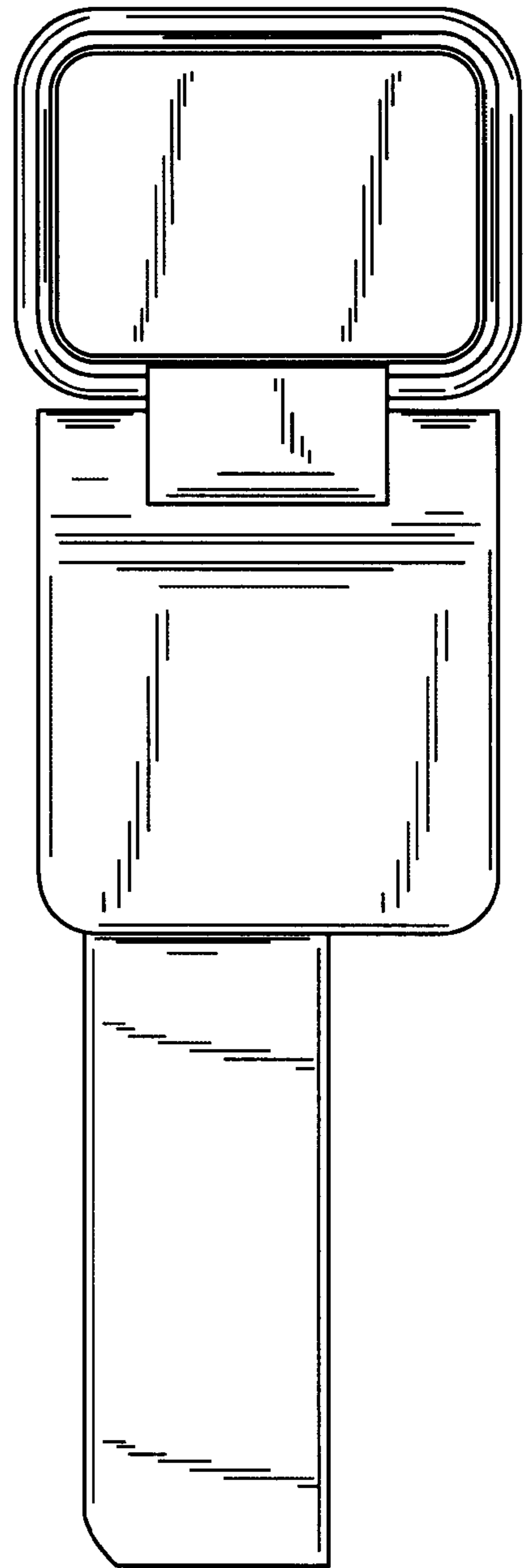


Fig. 3

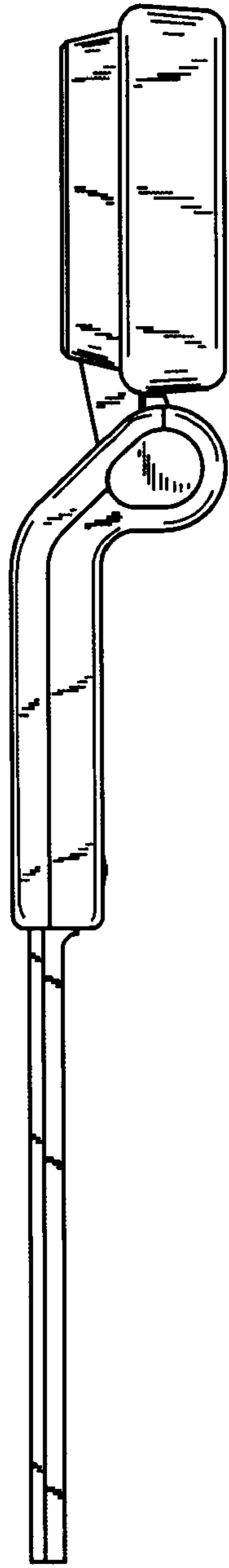


Fig. 4



Fig. 5

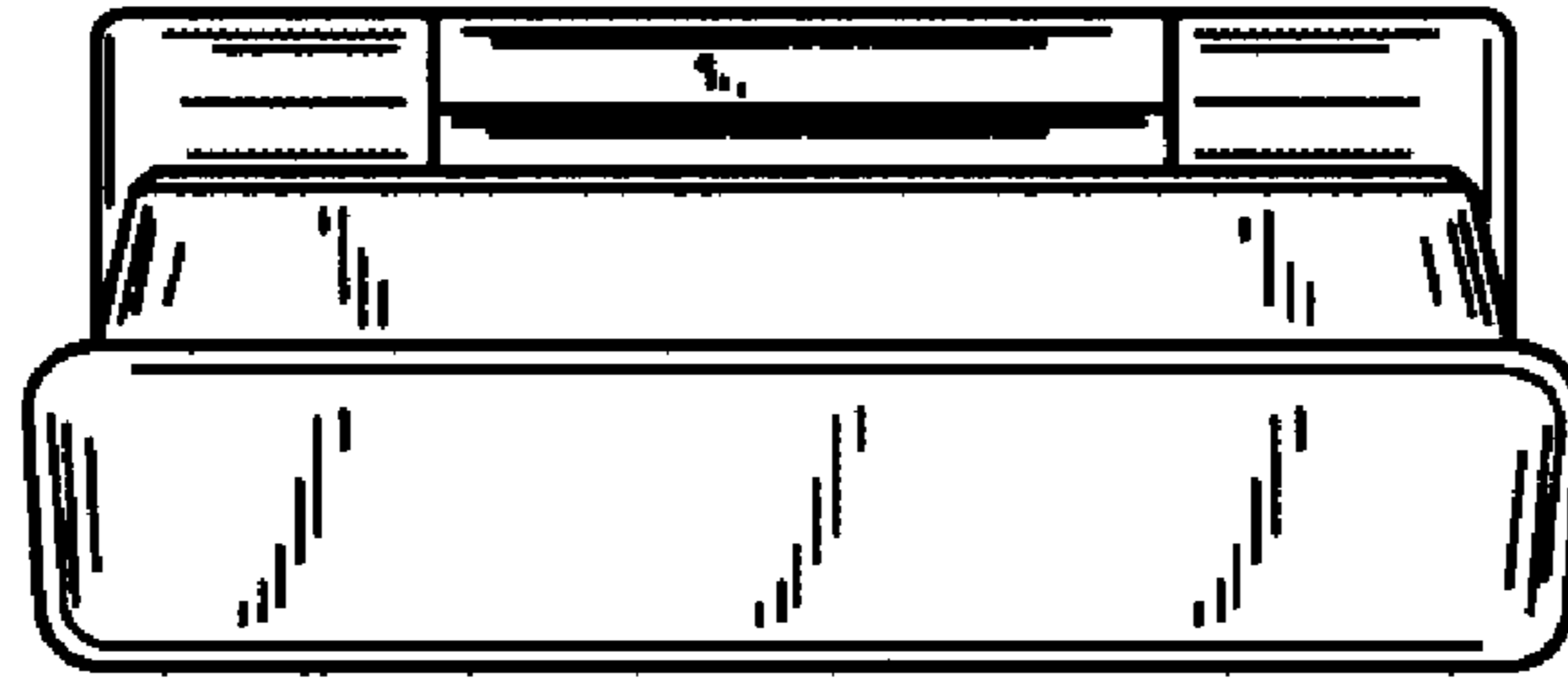


Fig. 6

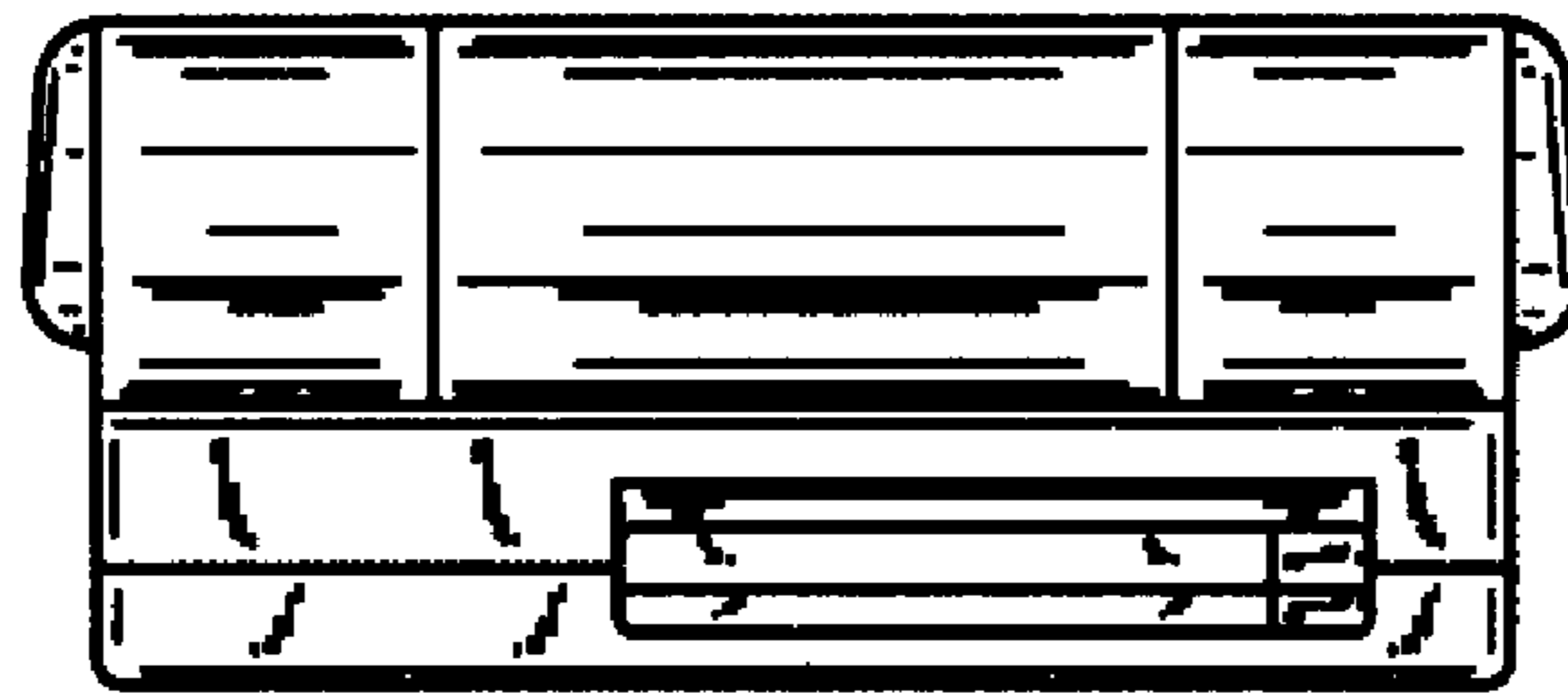


Fig. 7