



US00D487022S

(12) **United States Design Patent**
Mayer et al.

(10) **Patent No.:** **US D487,022 S**

(45) **Date of Patent:** **** Feb. 24, 2004**

(54) **DIAL THERMOMETER**

(75) Inventors: **Paul Mayer**, Burlington, WI (US);
Patricia May Koepfel, Kenosha, WI (US)

(73) Assignee: **Combex, Inc.**, Lake Geneva, WI (US)

(**) Term: **14 Years**

(21) Appl. No.: **29/174,369**

(22) Filed: **Jan. 16, 2003**

(51) **LOC (7) Cl.** **10-04**

(52) **U.S. Cl.** **D10/57**

(58) **Field of Search** D10/57; 99/343,
99/419, 421 TP; 116/216; 374/155, 208

(56) **References Cited**

U.S. PATENT DOCUMENTS

D300,908 S	*	5/1989	Chan	D10/57
D457,822 S	*	5/2002	Rushton	D10/57
6,431,110 B1	*	8/2002	Kaiser et al.	116/216
D478,822 S	*	8/2003	Kaiser et al.	D10/57

* cited by examiner

Primary Examiner—Antoine Duval Davis

(74) *Attorney, Agent, or Firm*—Michael Best & Friedrich LLP

(57) **CLAIM**

The ornamental design for a dial thermometer, as shown and described.

DESCRIPTION

FIG. 1 is a perspective view of the dial thermometer of the invention in which the alphanumeric features are shown in broken lines to indicate that they do not form a part of the design as claimed;

FIG. 2 is a top plan view of the dial thermometer shown in FIG. 1;

FIG. 3 is a bottom plan view of the dial thermometer shown in FIG. 1;

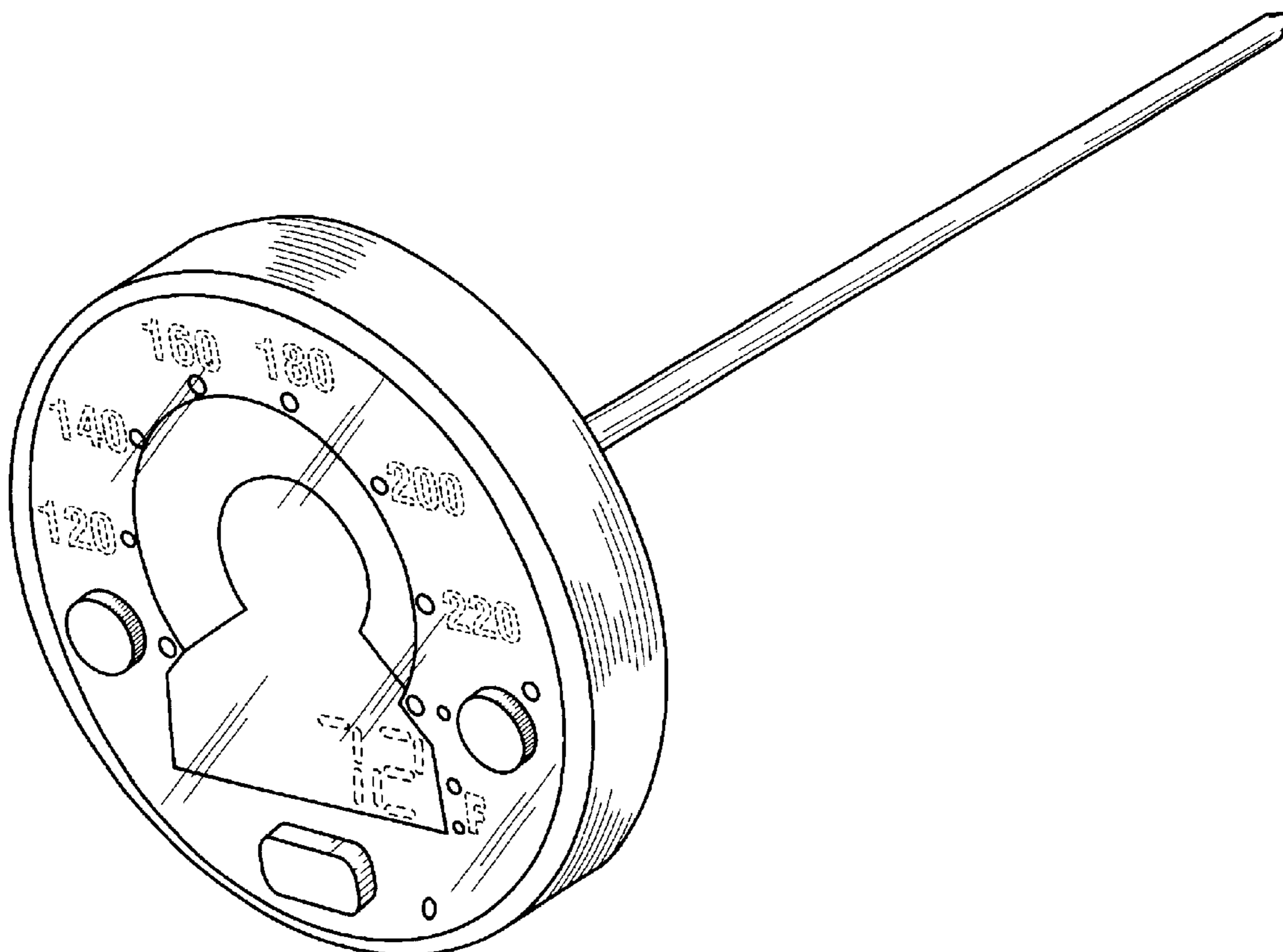
FIG. 4 is a side elevation view of the dial thermometer shown in FIG. 1 taken from the left side of the dial thermometer of FIG. 1;

FIG. 5 is another side elevation view of the dial thermometer shown in FIG. 1 taken from the right side of the dial thermometer of FIG. 1;

FIG. 6 is a another side elevation view of the dial thermometer shown in FIG. 1 taken from the top plan view of the dial thermometer of FIG. 1; and,

FIG. 7 is a another side elevation view of the dial thermometer shown in FIG. 1 taken from the bottom plan view of the dial thermometer of FIG. 1.

1 Claim, 4 Drawing Sheets



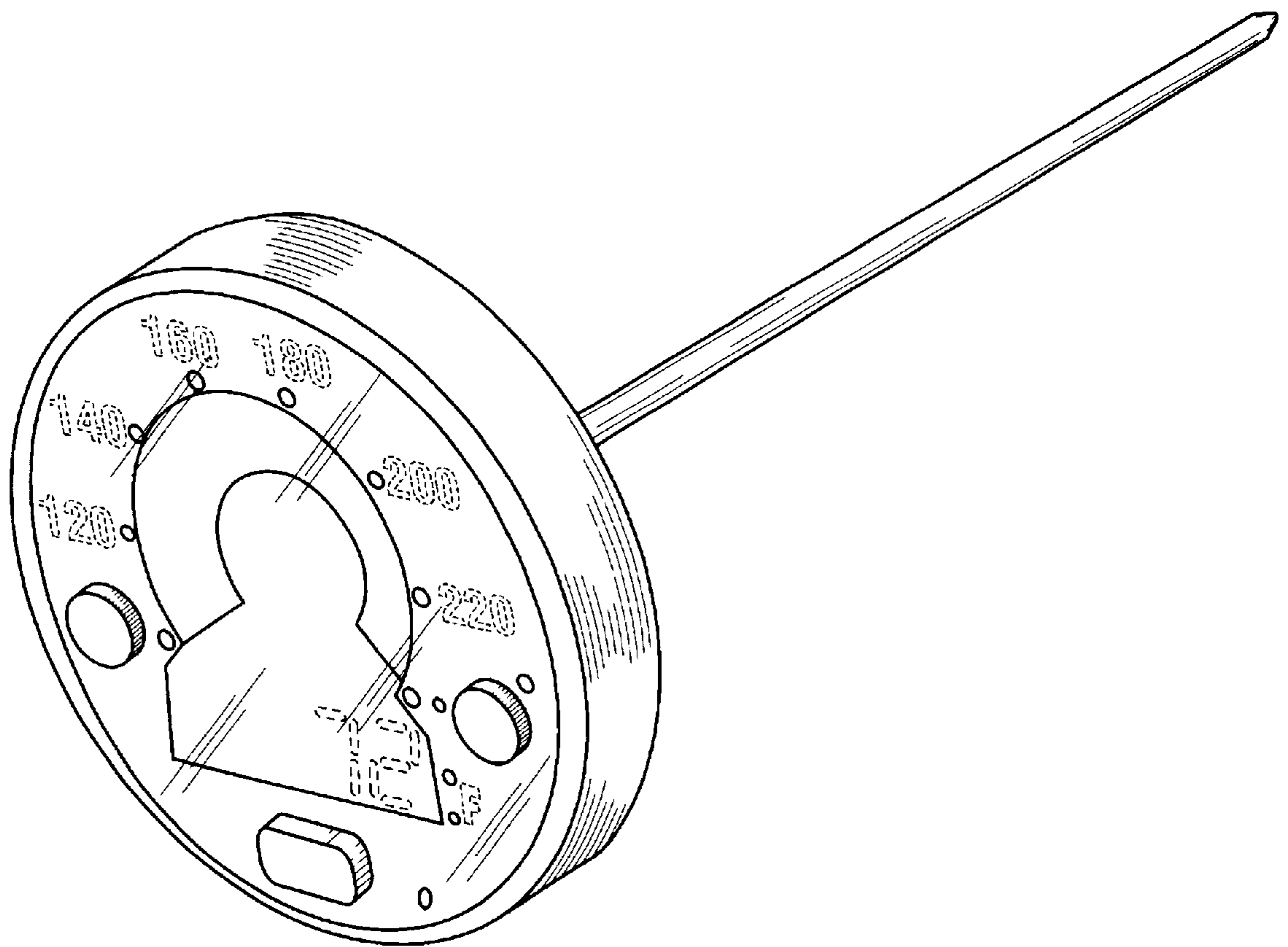


FIG. 1

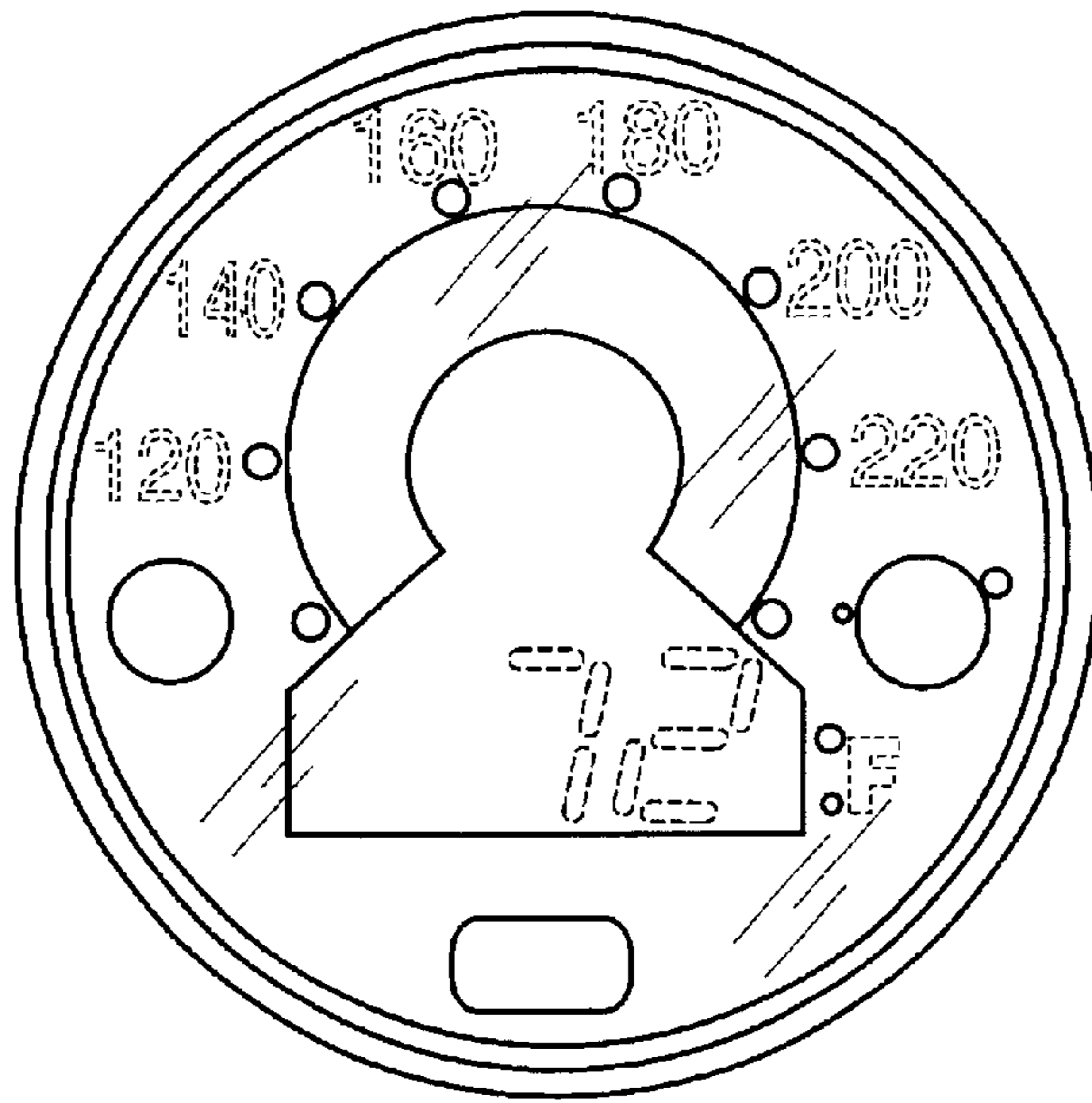


FIG. 2

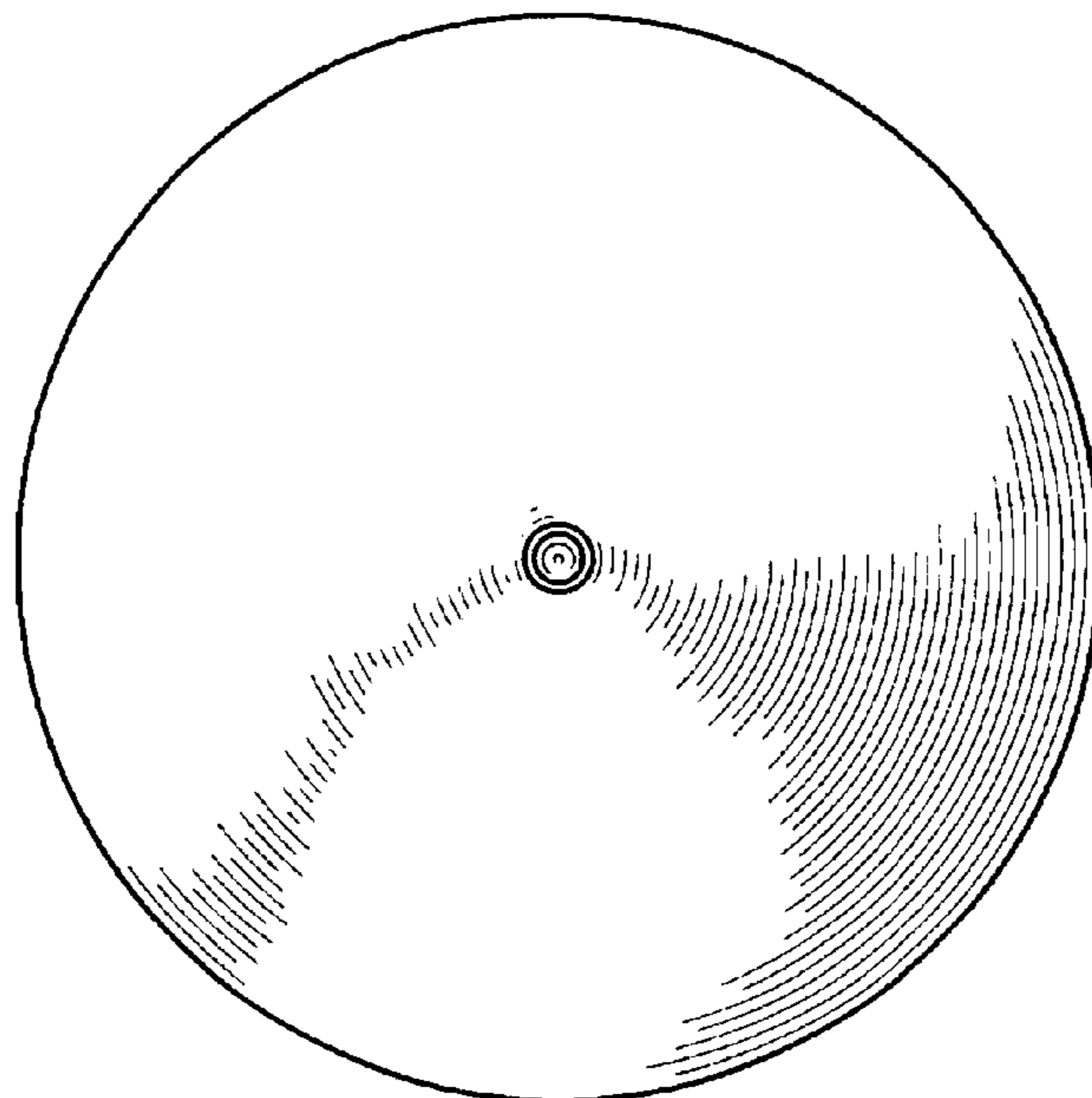


FIG. 3

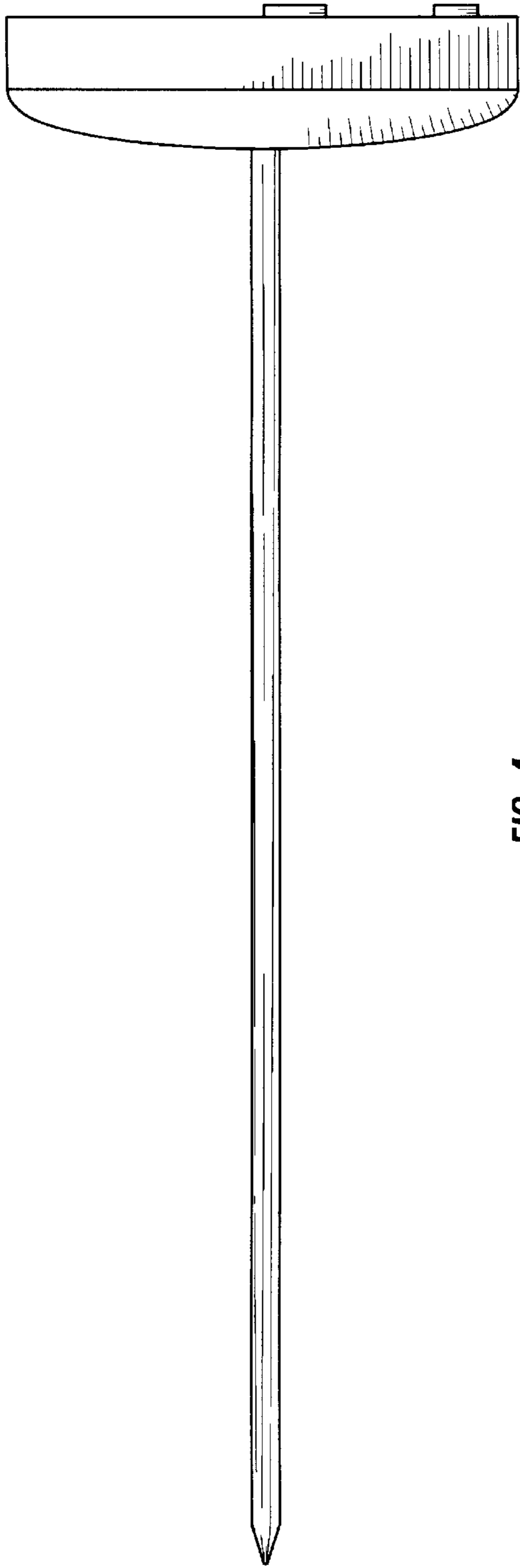


FIG. 4

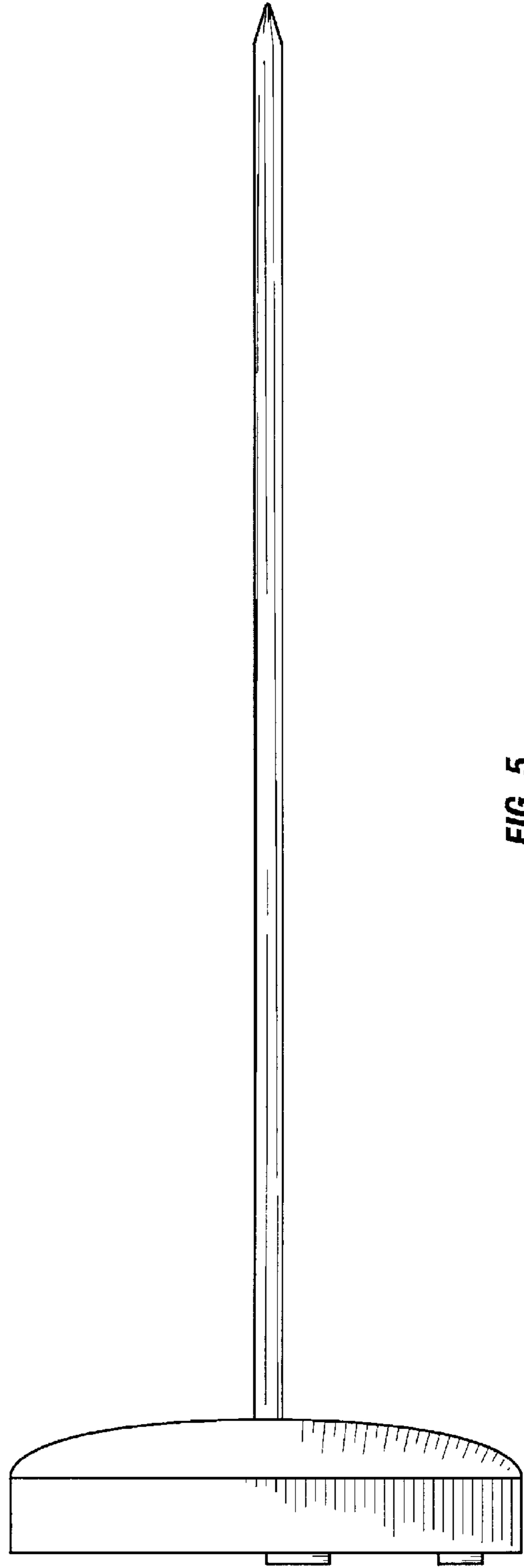


FIG. 5

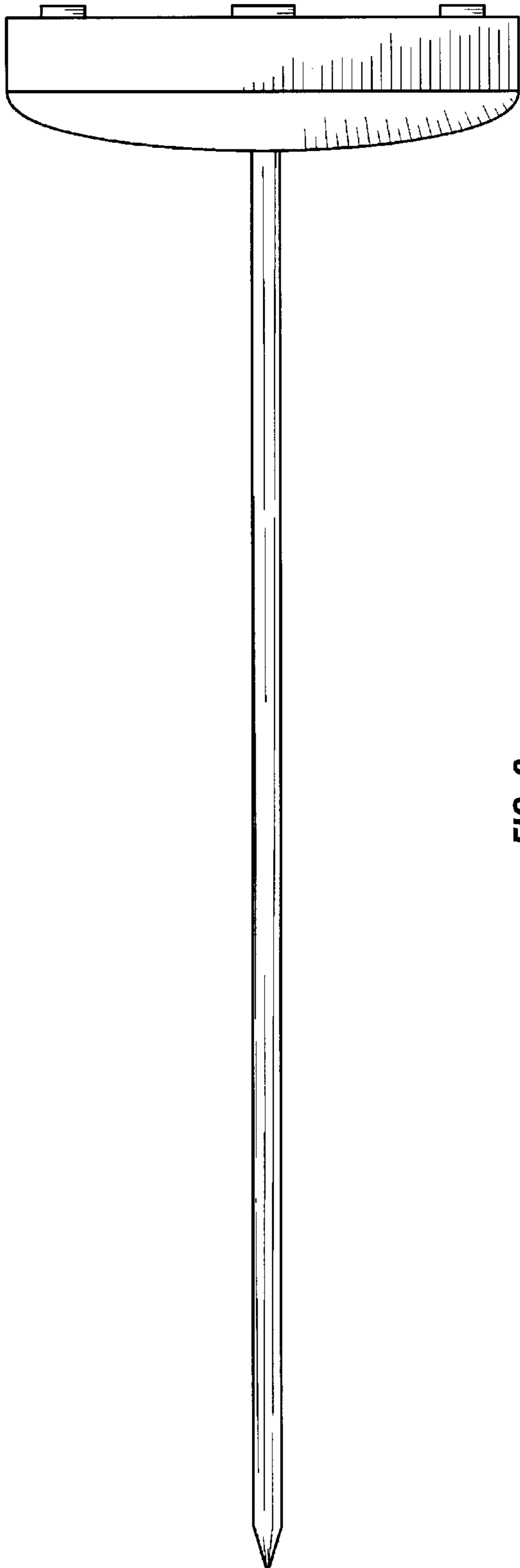


FIG. 6

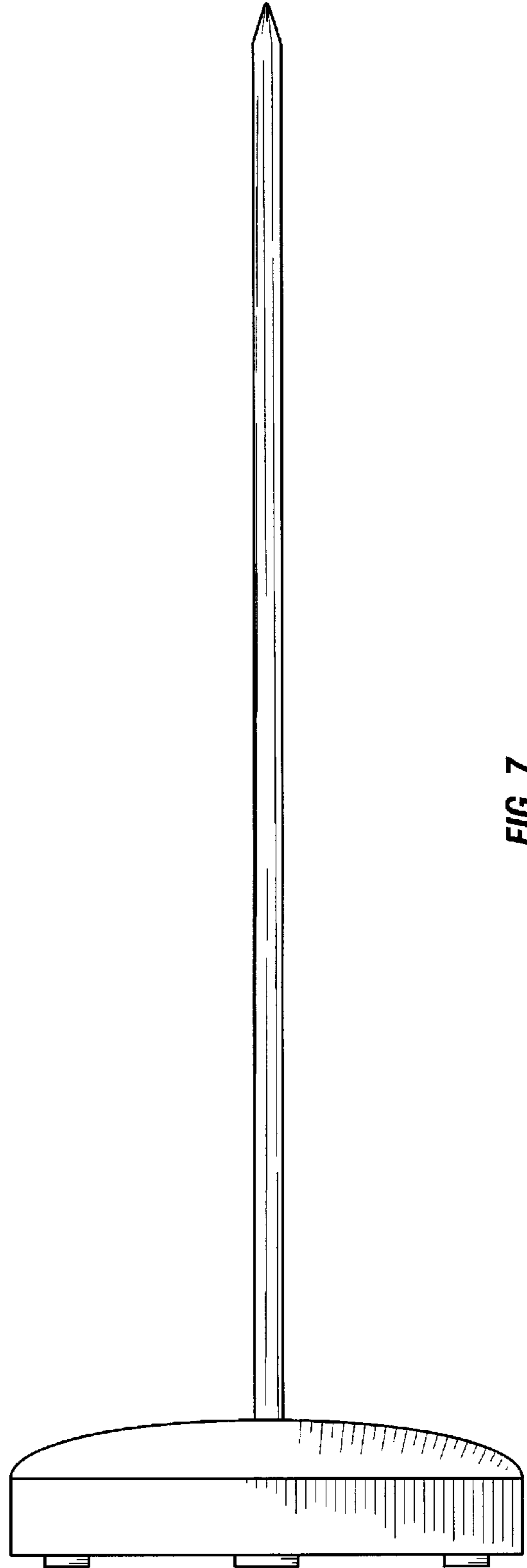


FIG. 7