



US00D487021S

(12) **United States Design Patent**
Chen

(10) **Patent No.:** **US D487,021 S**

(45) **Date of Patent:** **** Feb. 24, 2004**

(54) **TEMPERATURE CONTROLLER**

D280,711 S * 9/1985 Thomas D10/50

(75) Inventor: **Tien-Shu Chen**, Hsin-Chuang (TW)

* cited by examiner

(73) Assignee: **Ovis Enterprises Co., Ltd.**,
Hsin-Chuang (TW)

Primary Examiner—Antoine Duval Davis
(74) *Attorney, Agent, or Firm*—Bacon & Thomas, PLLC

(**) Term: **14 Years**

(57) **CLAIM**

(21) Appl. No.: **29/172,366**

The ornamental design for temperature controller, as shown and described.

(22) Filed: **Dec. 11, 2002**

DESCRIPTION

(51) **LOC (7) Cl.** **10-04**

(52) **U.S. Cl.** **D10/50**

(58) **Field of Search** D10/50; 99/332;
219/494, 497, 213, 506, 528, 529, 545,
483, 492, 501, 512, 448.17, 508, 505; 374/164

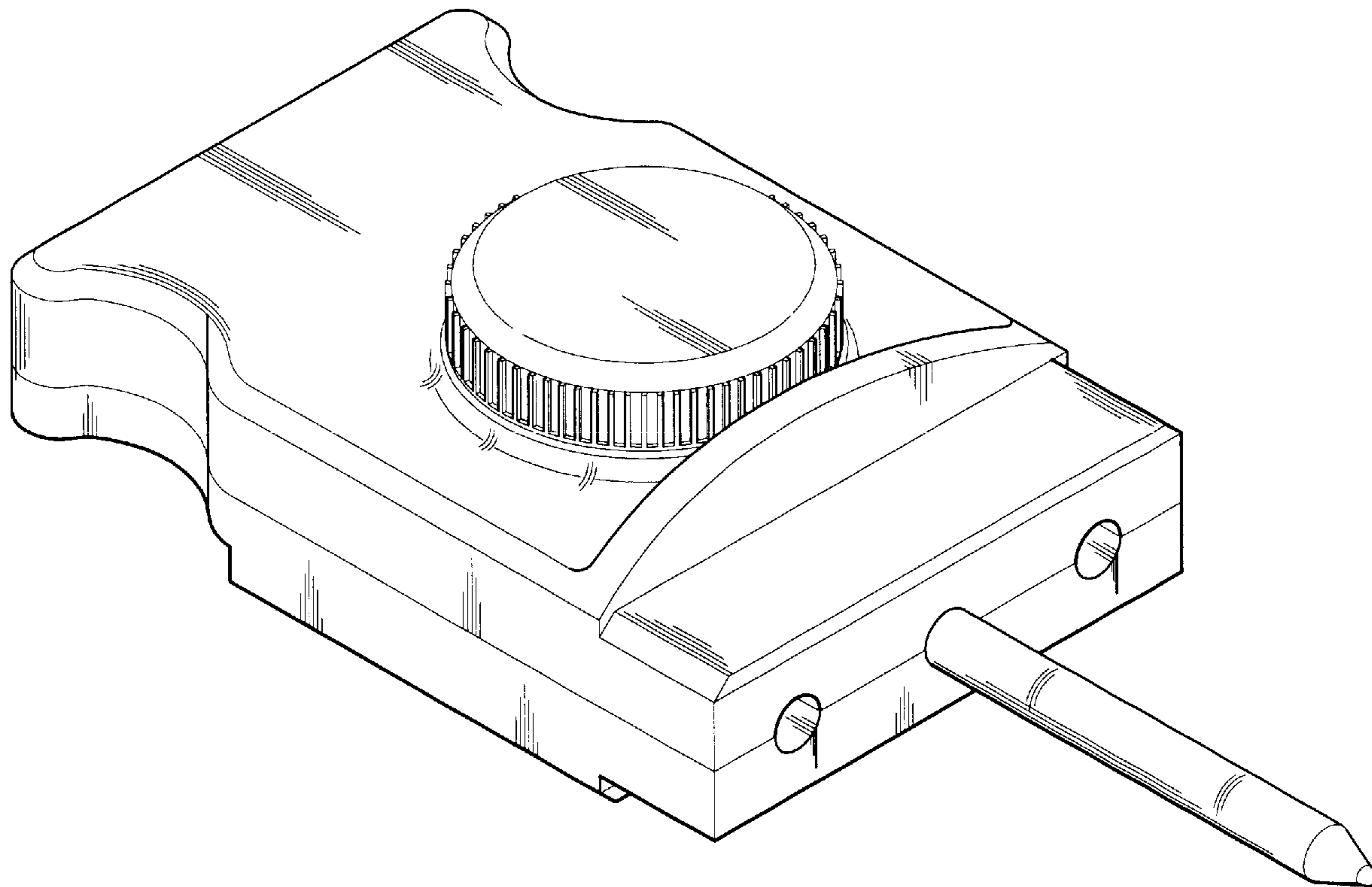
FIG. 1 is a perspective view of temperature controller showing my new design;
FIG. 2 is a front elevational view thereof;
FIG. 3 is a rear elevational view thereof;
FIG. 4 is a left side elevational view thereof;
FIG. 5 is a right side elevational view thereof;
FIG. 6 is a top view thereof; and,
FIG. 7 is a bottom view thereof.

(56) **References Cited**

U.S. PATENT DOCUMENTS

D250,635 S * 12/1978 Carlson et al. D10/50

1 Claim, 7 Drawing Sheets



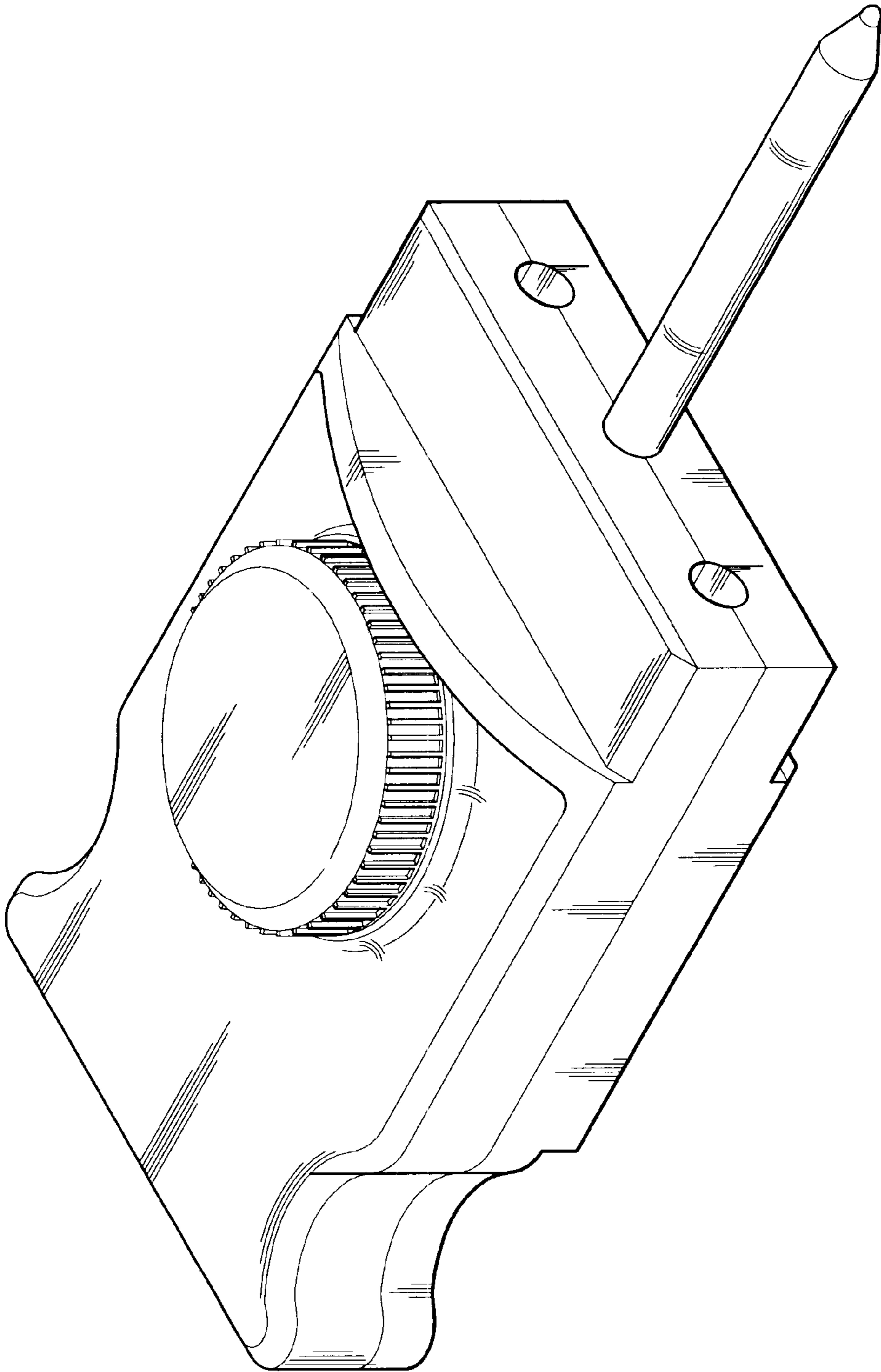


FIG. 1

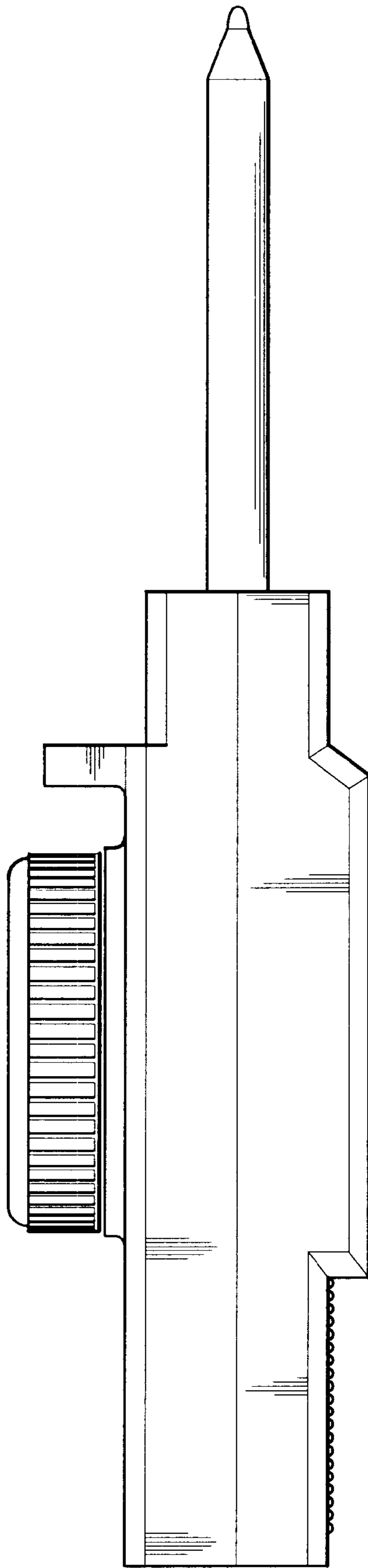


FIG. 2

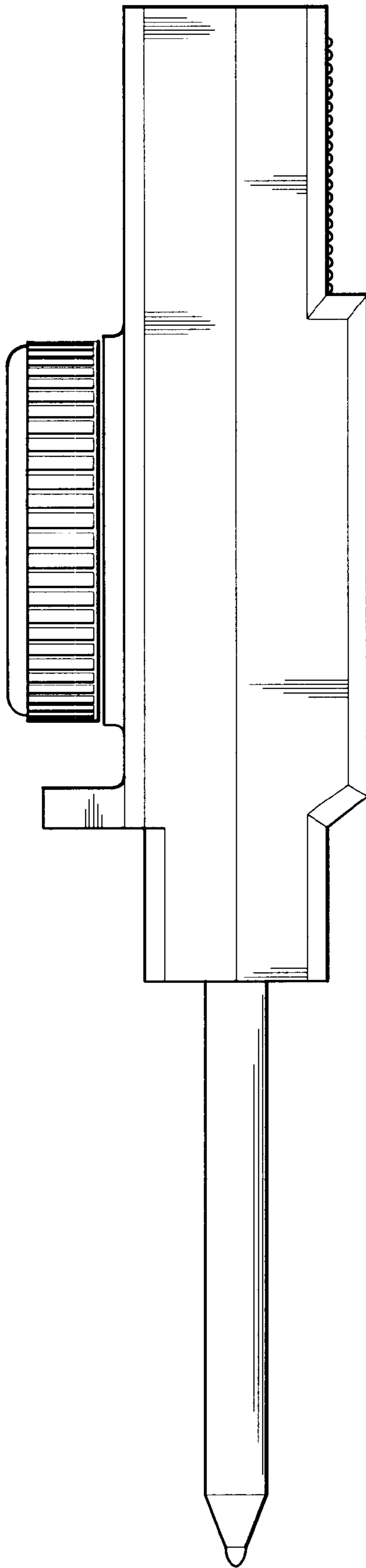


FIG. 3

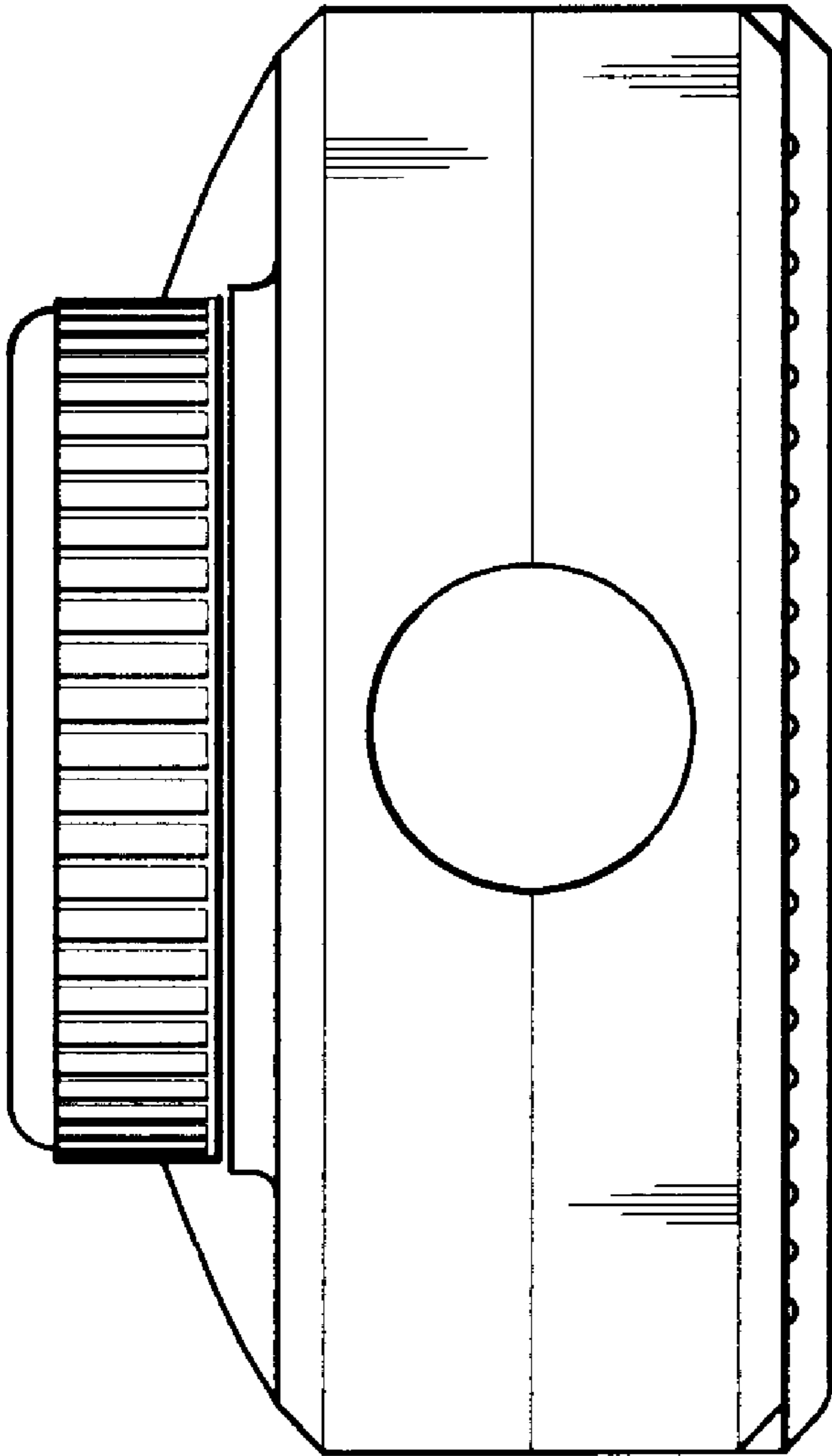


FIG. 4

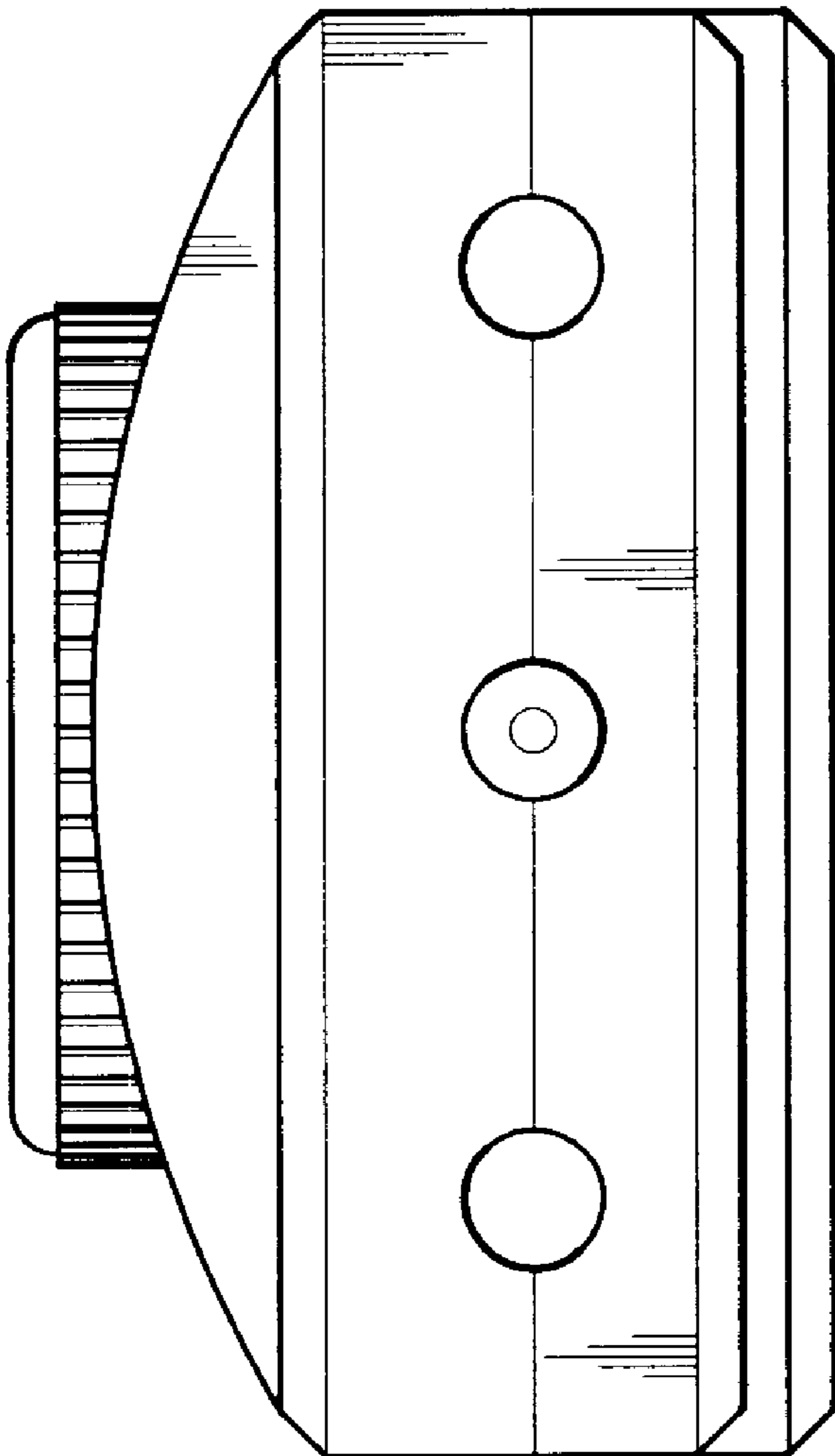


FIG. 5

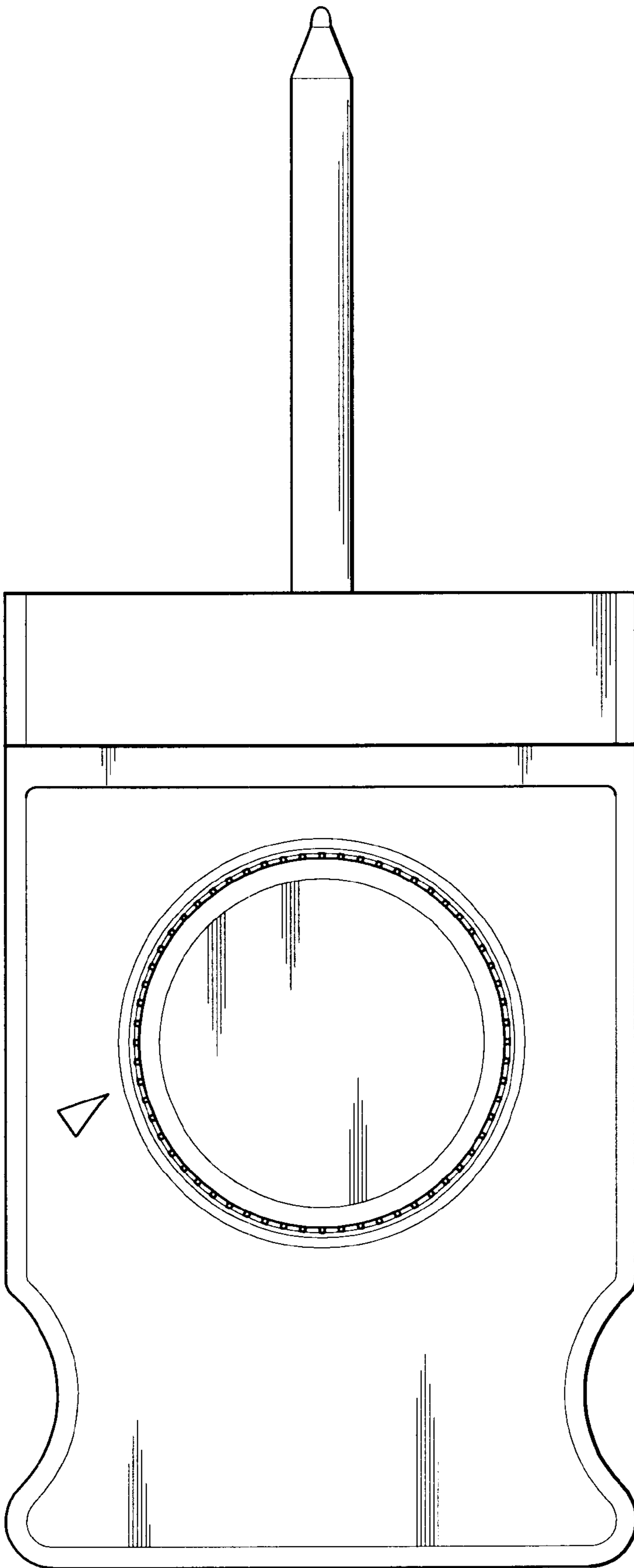


FIG. 6

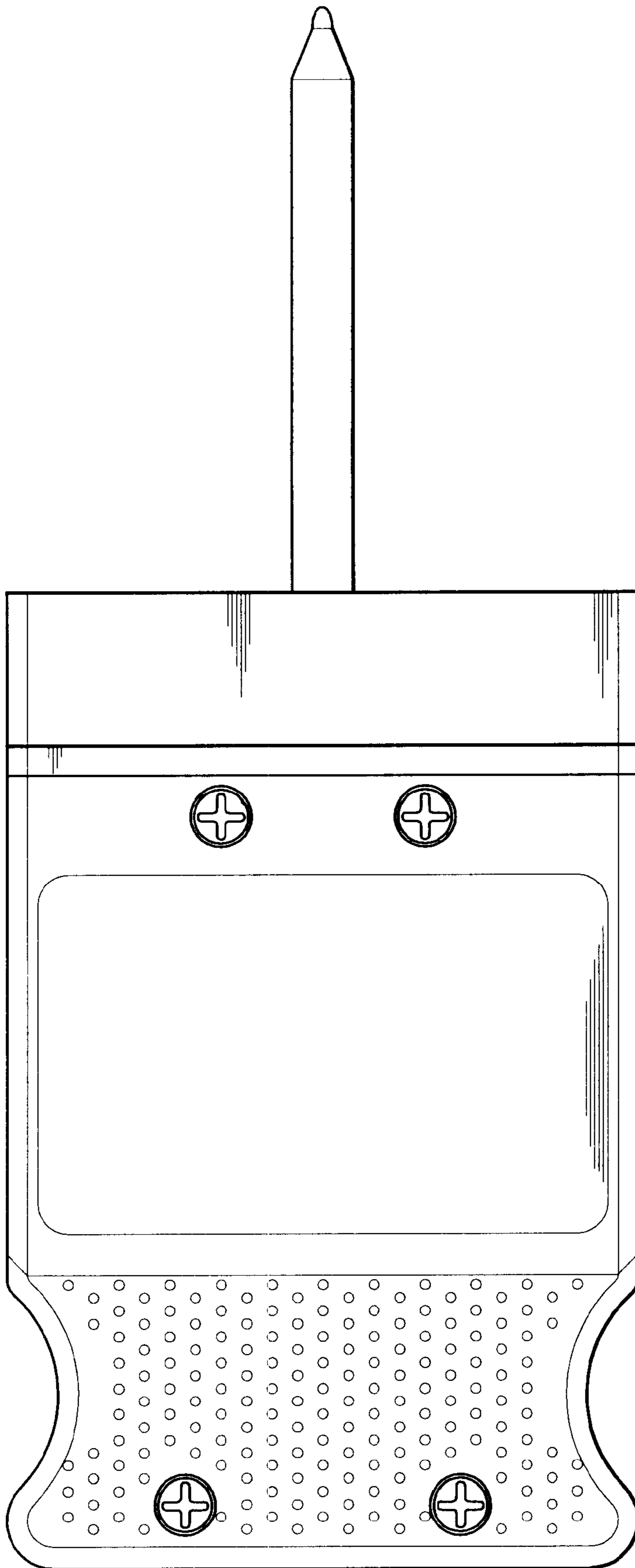


FIG. 7