



US00D487020S

(12) **United States Design Patent**
Blank et al.

(10) **Patent No.:** **US D487,020 S**

(45) **Date of Patent:** **** Feb. 24, 2004**

(54) **CONTAINER**

(75) Inventors: **Phillip M. Blank**, Scottsdale, AZ (US);
James B. Hughes, Scottsdale, AZ (US)

(73) Assignee: **Captive Plastics, Inc.**, Piscataway, NJ
(US)

(**) Term: **14 Years**

(21) Appl. No.: **29/151,234**

(22) Filed: **Nov. 1, 2001**

(51) **LOC (7) Cl.** **09-01**

(52) **U.S. Cl.** **D9/542; D9/574; D9/559**

(58) **Field of Search** D9/516, 530, 541-546,
D9/559-560, 573-575; 215/381-385, 396,
398, 400, 12.1, 12.2

(56) **References Cited**

U.S. PATENT DOCUMENTS

D72,420 S	*	4/1927	Hamilton	D9/542
D81,167 S	*	5/1930	Teague	D9/559
D91,951 S	*	4/1934	McDonough	D9/542
D92,424 S	*	6/1934	Piazzoli	D9/559
D94,416 S	*	1/1935	Green	D9/542
D97,681 S	*	12/1935	Larsen	D9/559
2,062,175 A	*	11/1936	Hartman	215/12.2 X
D112,951 S	*	1/1939	Soule	D9/554
D208,379 S	*	8/1967	Schnur et al.	D9/559
D228,742 S	*	10/1973	McCaleb et al.	D9/542

3,874,562 A	*	4/1975	Hazard	222/209
3,923,178 A	*	12/1975	Welker, III	215/381
D253,934 S	*	1/1980	Talis	D9/500
D291,066 S	*	7/1987	Antoine	D9/418
D320,554 S	*	10/1991	Dine et al.	D9/574
D408,291 S	*	4/1999	Lee	D9/544

* cited by examiner

Primary Examiner—Philip S. Hyder

Assistant Examiner—Carol Rademaker

(74) *Attorney, Agent, or Firm*—Caesar, Rivise, Bernstein,
Cohen & Pokotilow, Ltd.

(57) **CLAIM**

The ornamental design for a container, as shown and described.

DESCRIPTION

FIG. 1 is a top front perspective view of the container of our new design;

FIG. 2 is a front elevation thereof (the rear elevation of which is a mirror image of the front elevation);

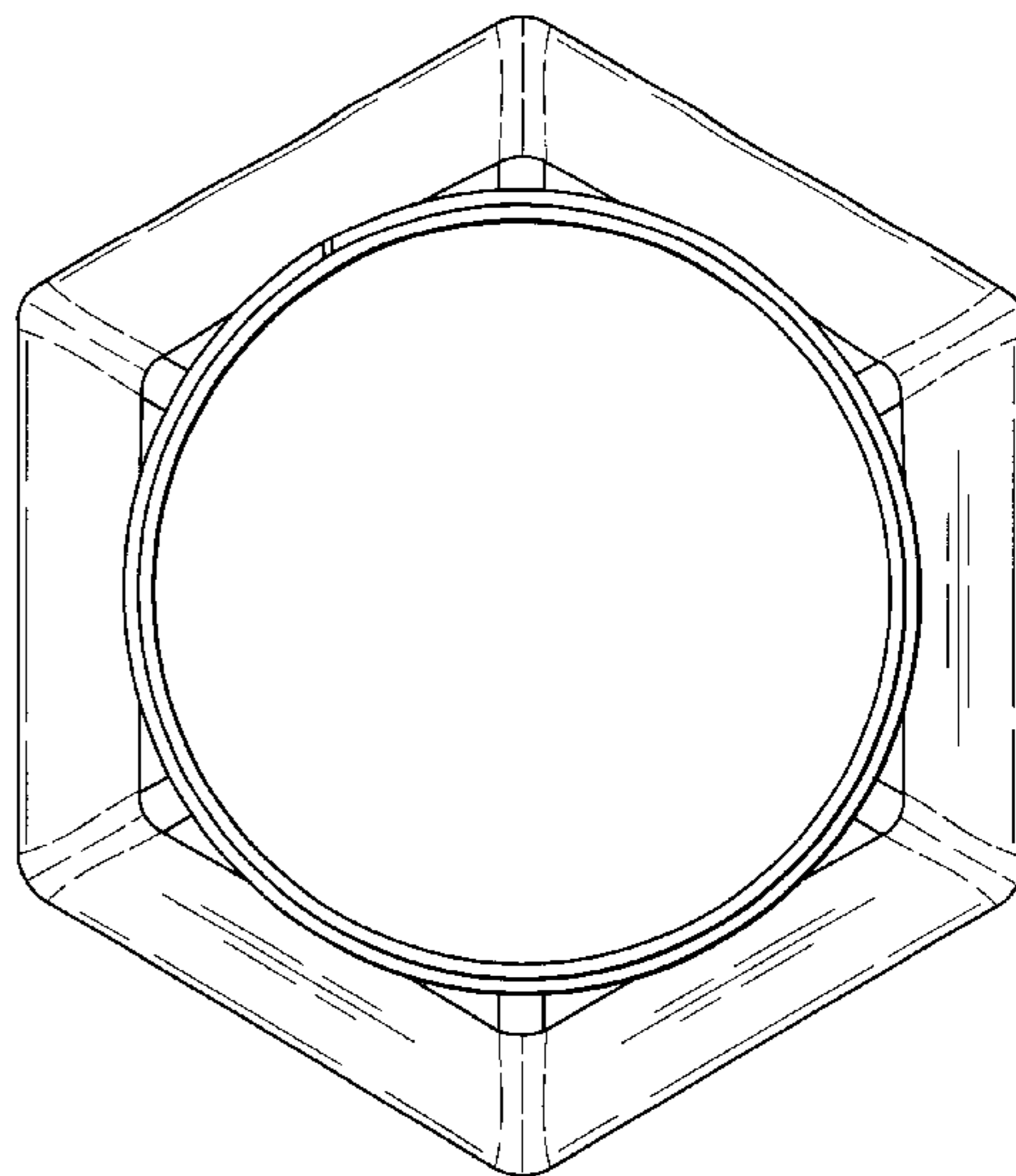
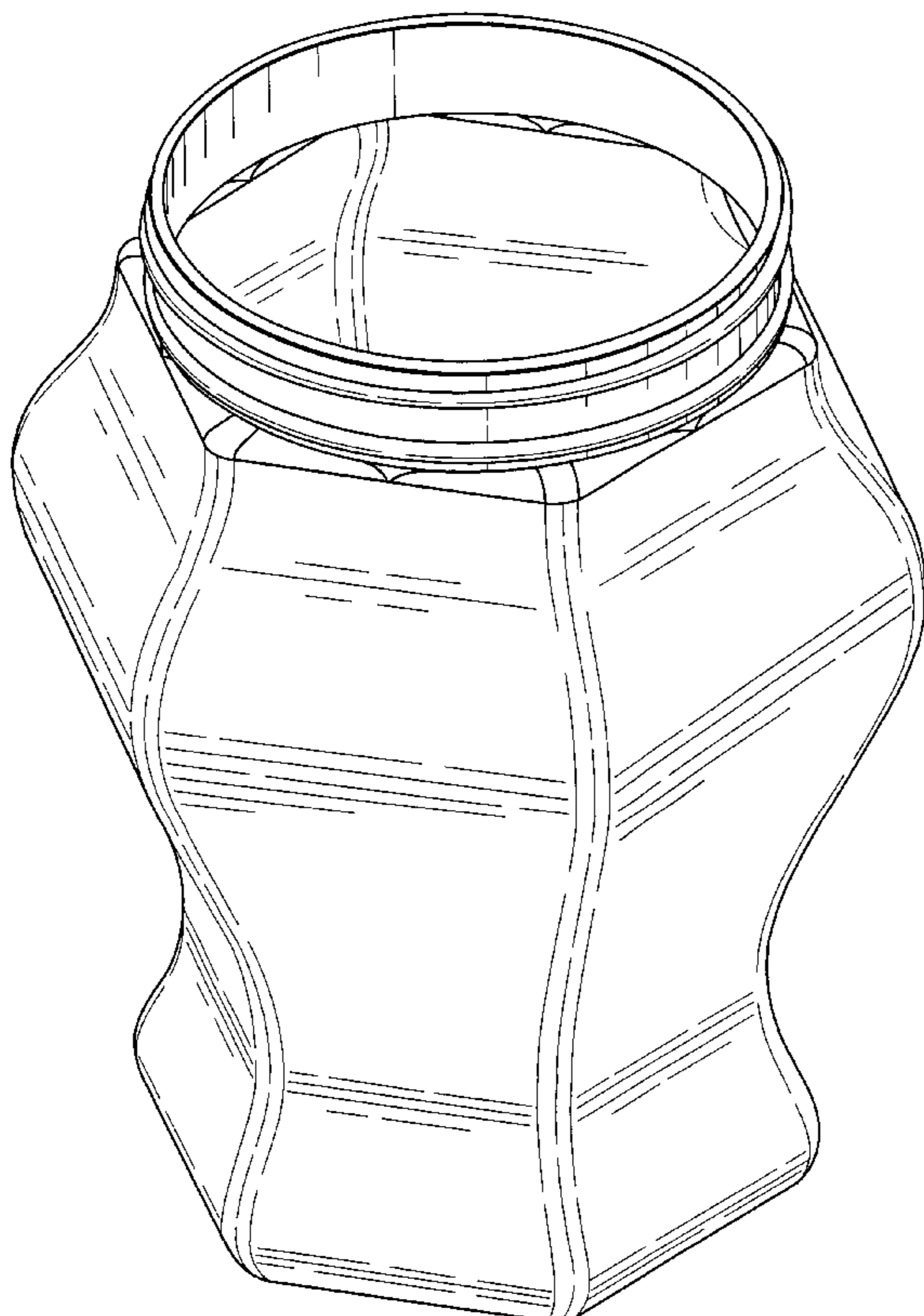
FIG. 3 is a right side elevation thereof (the left side elevation being a mirror image of the right side elevation);

FIG. 4 is a top plan view thereof; and,

FIG. 5 is a bottom plan view thereof.

The broken line showing in FIG. 5 is for illustrative purposes only and forms no part of the claimed design.

1 Claim, 4 Drawing Sheets



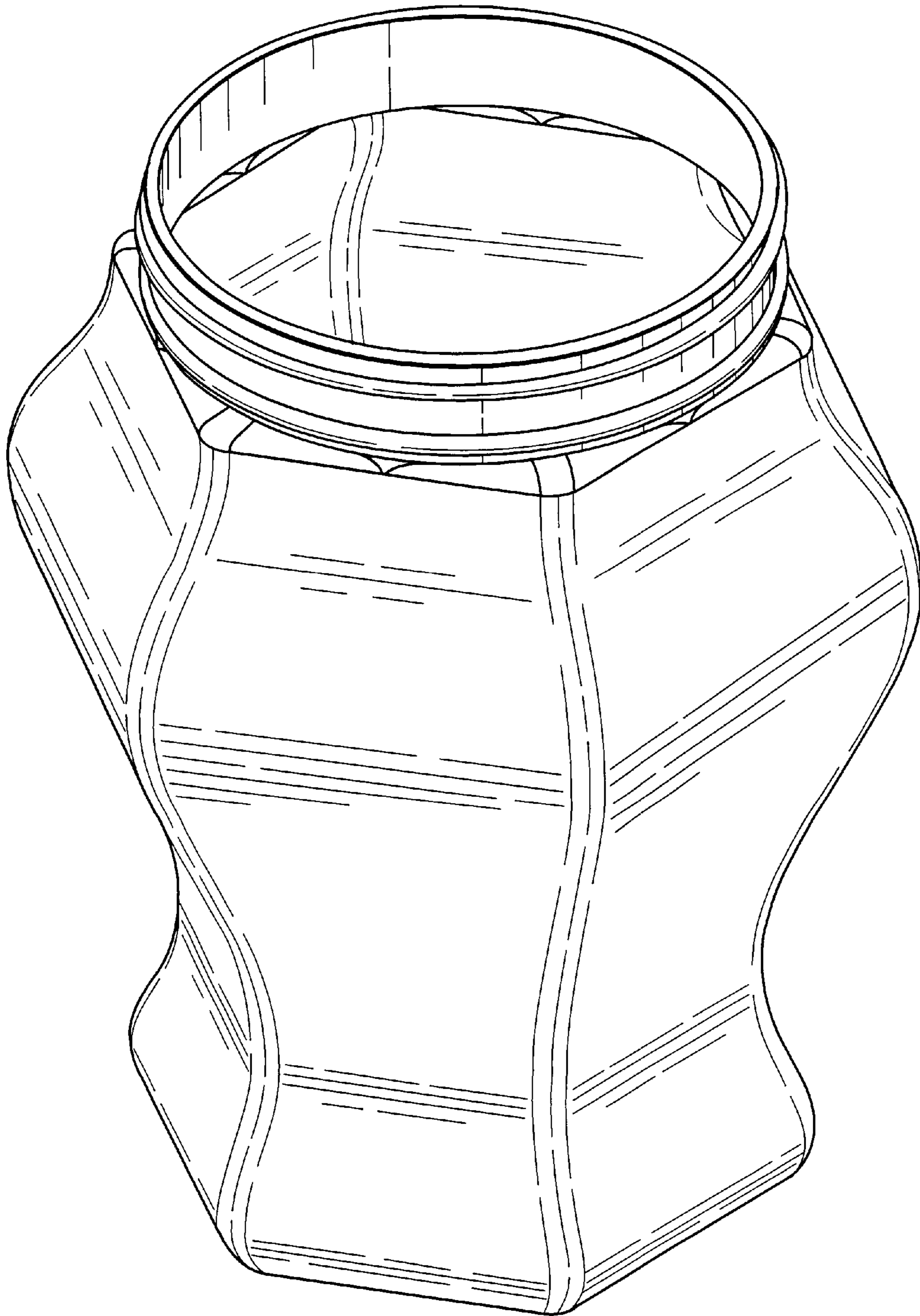


FIG. 1

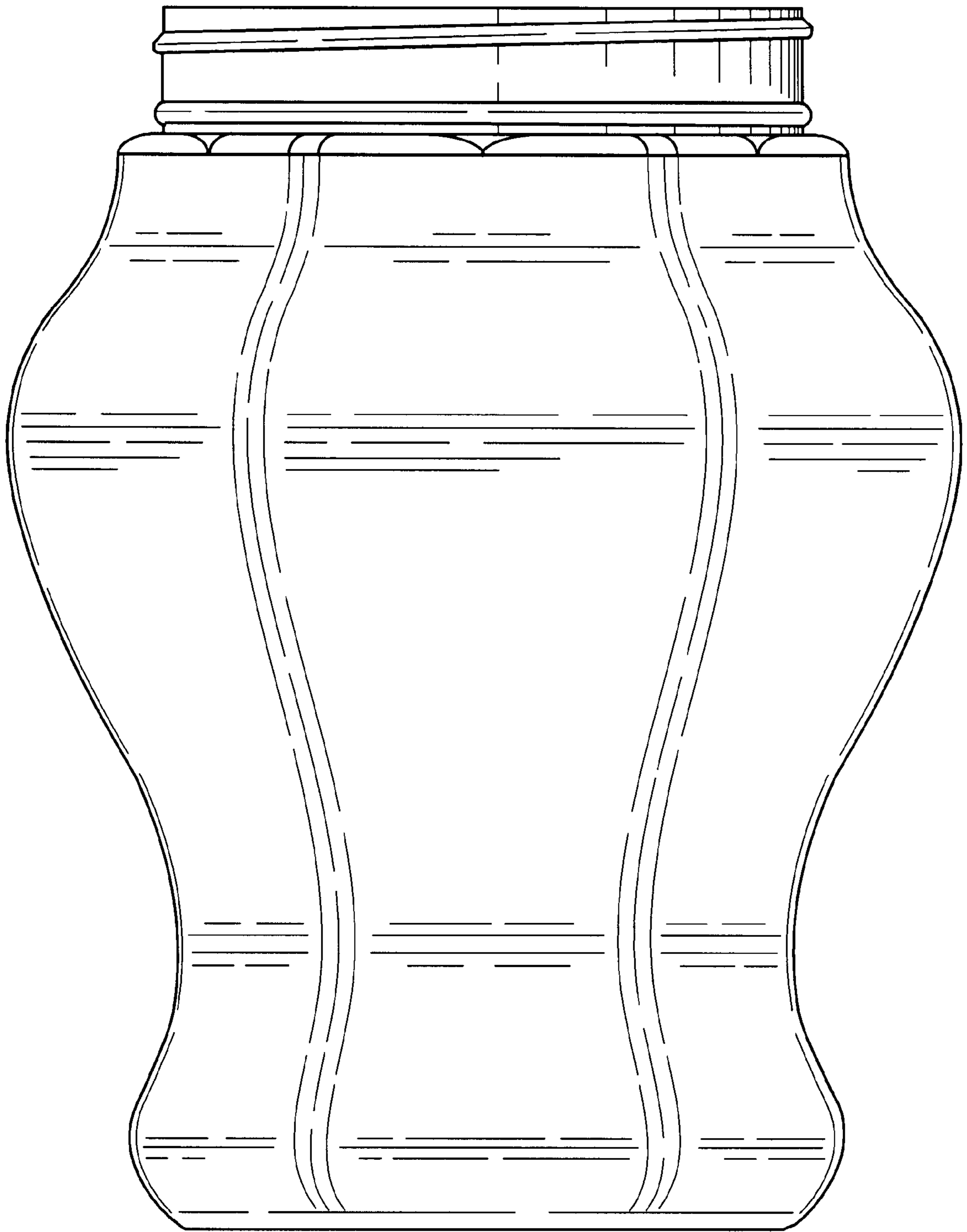


FIG. 2

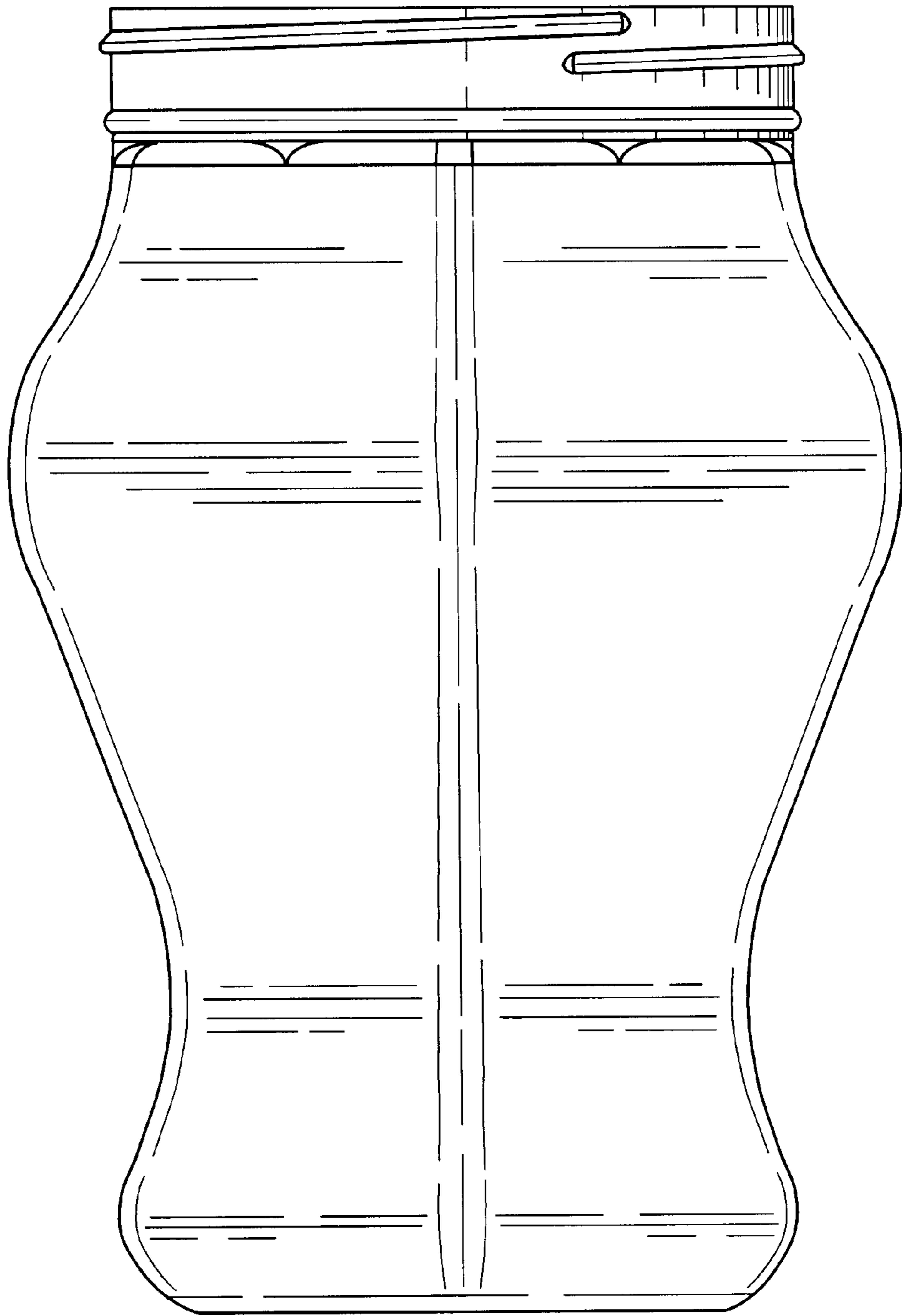


FIG. 3

FIG. 4

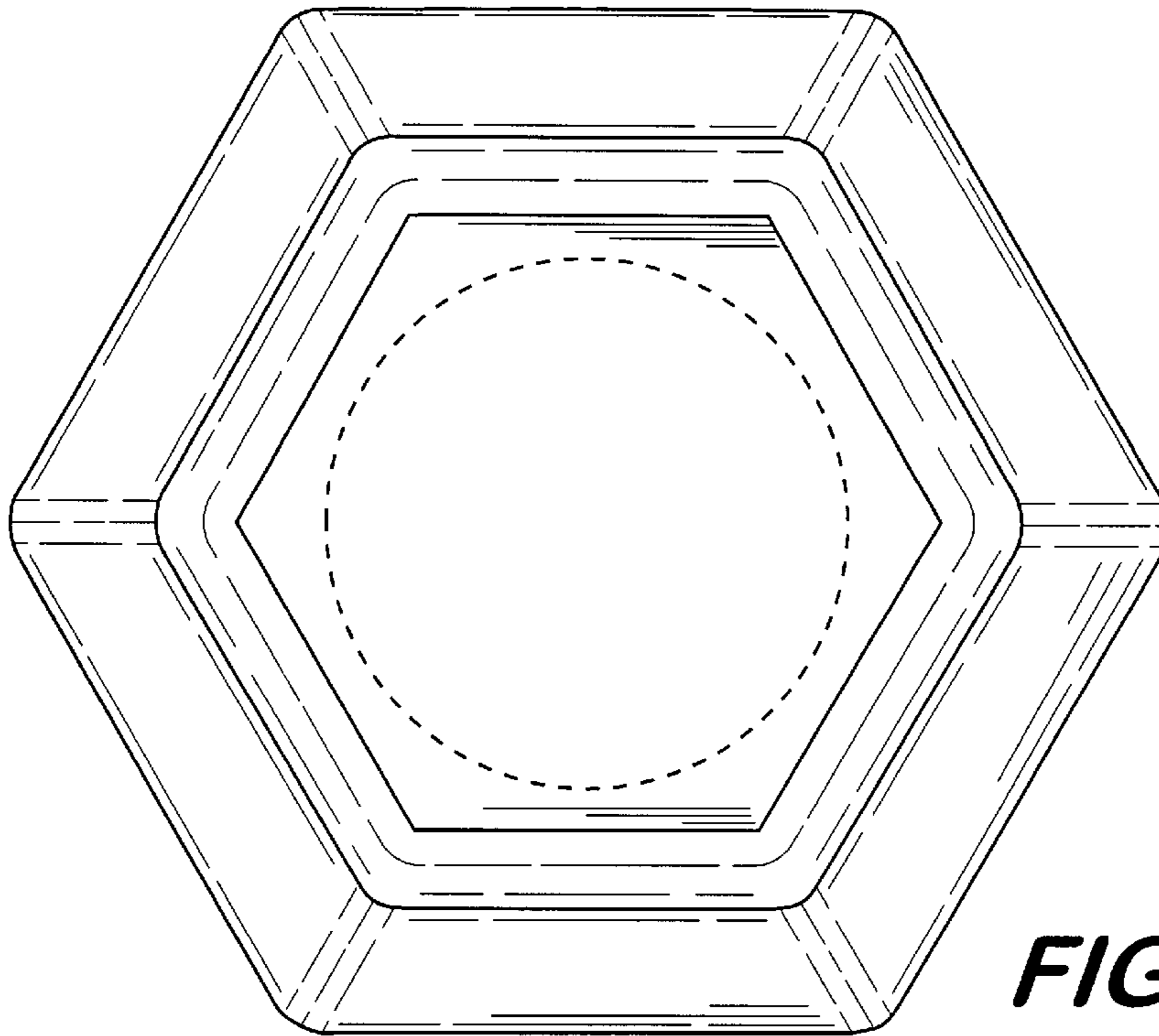
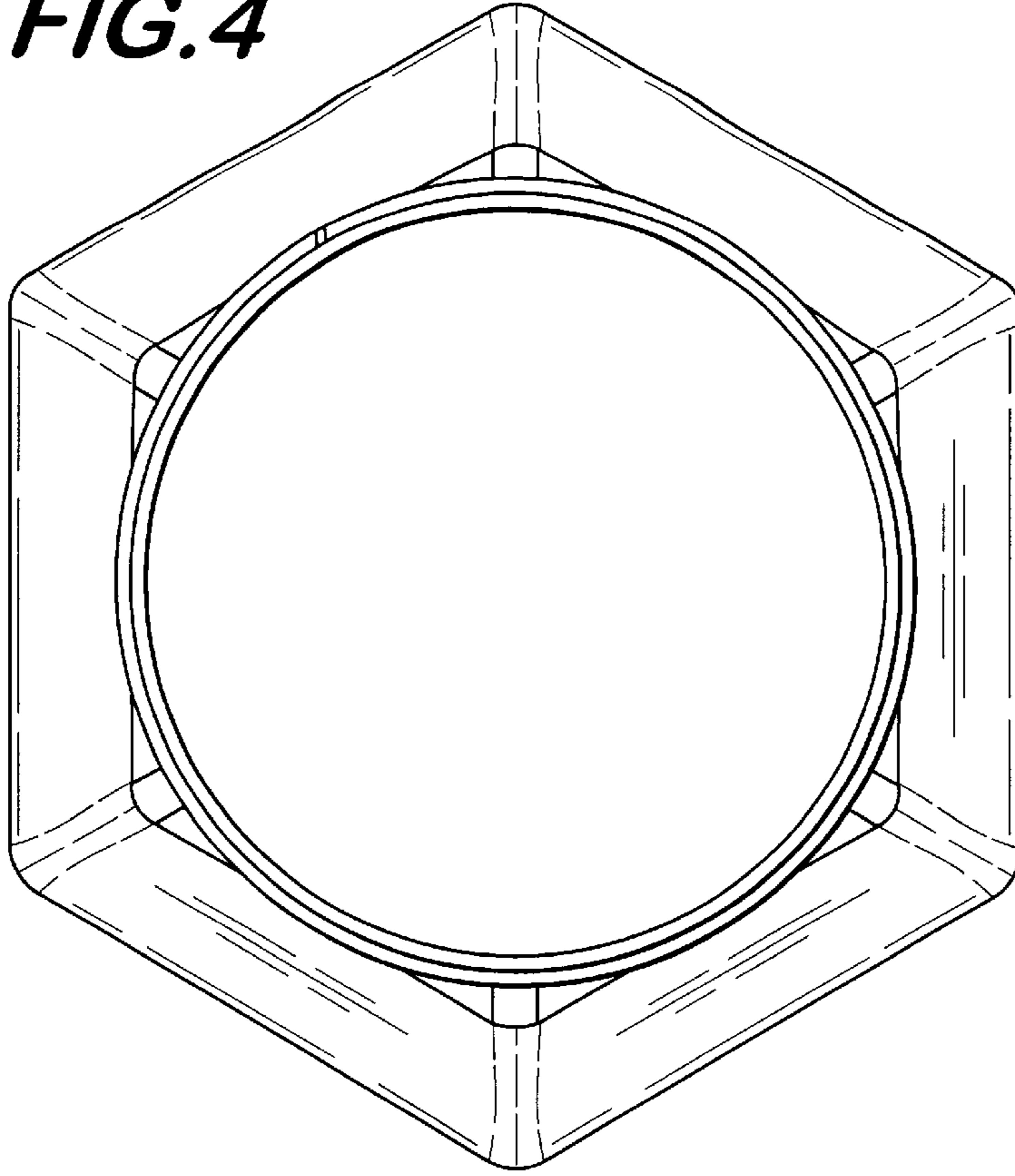


FIG. 5