



US00D487018S

(12) **United States Design Patent**  
**Walsh et al.**

(10) **Patent No.:** **US D487,018 S**

(45) **Date of Patent:** **\*\* Feb. 24, 2004**

(54) **CONTAINER**

(75) Inventors: **Michael J. Walsh**, Chesterfield, MO (US); **Jeffrey A. Schutte**, University City, MO (US); **Douglas W. Newman**, St. Charles, MO (US); **Mark Gilbertson**, Sauk City, WI (US); **Scott G. Manke**, Sun Prairie, WI (US); **Michael J. Brock**, Madison, WI (US)

(73) Assignee: **Masterchem Industries, Inc.**, Imperial, MO (US)

(\*\*) Term: **14 Years**

(21) Appl. No.: **29/176,627**

(22) Filed: **Feb. 25, 2003**

**Related U.S. Application Data**

(63) Continuation of application No. 29/157,524, filed on Mar. 20, 2002, now Pat. No. Des. 474,115.

(51) **LOC (7) Cl.** ..... **09-01**

(52) **U.S. Cl.** ..... **D9/530; D9/516; D9/575**

(58) **Field of Search** ..... D9/414, 422, 424, D9/426, 432, 532, 560, 530, 531, 528, 523, 539, 540, 516; 215/382-385, 396, 398, 400; 220/510, 601, 675, 696, 766, 761, 770, 4.27, 23.4, 23.83, 561; 156/94, 250, 264; D32/53, 53.1; D34/39

(56) **References Cited**

**U.S. PATENT DOCUMENTS**

- D193,446 S \* 8/1962 Houghton ..... D9/528
- D199,644 S 11/1964 Trombley et al.
- D204,171 S \* 3/1966 Szajna ..... D9/528
- D215,411 S \* 9/1969 Anderson ..... D9/560 X
- D240,391 S 7/1976 Koenigsberg
- D261,088 S \* 10/1981 Akimov et al. .... D7/608
- D266,741 S \* 11/1982 Cox ..... D9/560
- D269,948 S 8/1983 Janssen

- D277,362 S \* 1/1985 Epperson ..... D9/520
- D284,269 S \* 6/1986 Goettner ..... D9/500
- D286,024 S \* 10/1986 Murukurthy ..... D9/506
- D303,084 S 8/1989 Sedam et al.
- D308,166 S 5/1990 Weckman
- D313,350 S 1/1991 Beaver
- D313,935 S \* 1/1991 Miller ..... D9/523
- D320,345 S 10/1991 Hamly et al.
- D323,115 S \* 1/1992 Kelsey ..... D9/423
- 5,269,438 A \* 12/1993 Kelsey ..... 220/766
- D352,659 S \* 11/1994 Nilsson et al. .... D9/337
- 5,377,858 A \* 1/1995 Morris ..... 220/601
- D370,850 S 6/1996 Beaver
- D378,494 S \* 3/1997 Miller ..... D9/528
- D426,161 S \* 6/2000 Hestehave et al. .... D9/520
- D435,455 S \* 12/2000 Gans ..... D9/541
- D455,656 S \* 4/2002 Gans et al. .... D9/541
- D462,012 S 8/2002 Manderfield, Jr.
- 6,530,500 B2 3/2003 Bravo et al.
- D474,115 S \* 5/2003 Walsh et al. .... D9/532

\* cited by examiner

*Primary Examiner*—Nanda Bondade

*Assistant Examiner*—Carol Rademaker

(74) *Attorney, Agent, or Firm*—Foley & Lardner

(57) **CLAIM**

The ornamental design for a container, as shown and described.

**DESCRIPTION**

FIG. 1 is a front perspective view of a container; FIG. 2 is a rear perspective view of the design of FIG. 1; FIG. 3 is a front view of the design of FIG. 1; FIG. 4 is a rear perspective of the design of FIG. 1; and, FIG. 5 is a right side view of the design of FIG. 1, the left side view being a mirror image.

The ornamental design which is claimed is shown in solid lines in the drawings. The broken lines in the drawings are for illustrative purposes only and form no part of the claimed design.

**1 Claim, 4 Drawing Sheets**

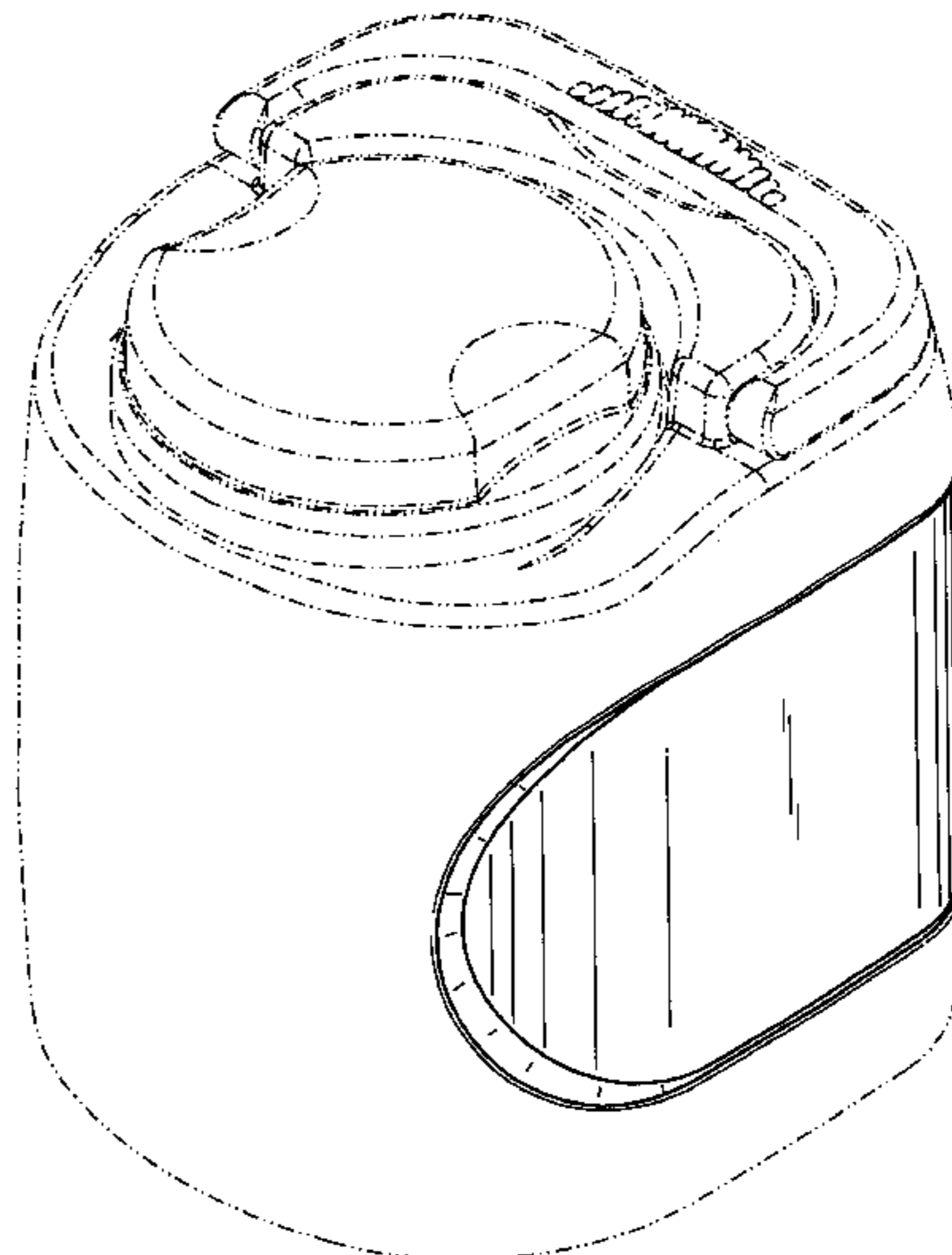
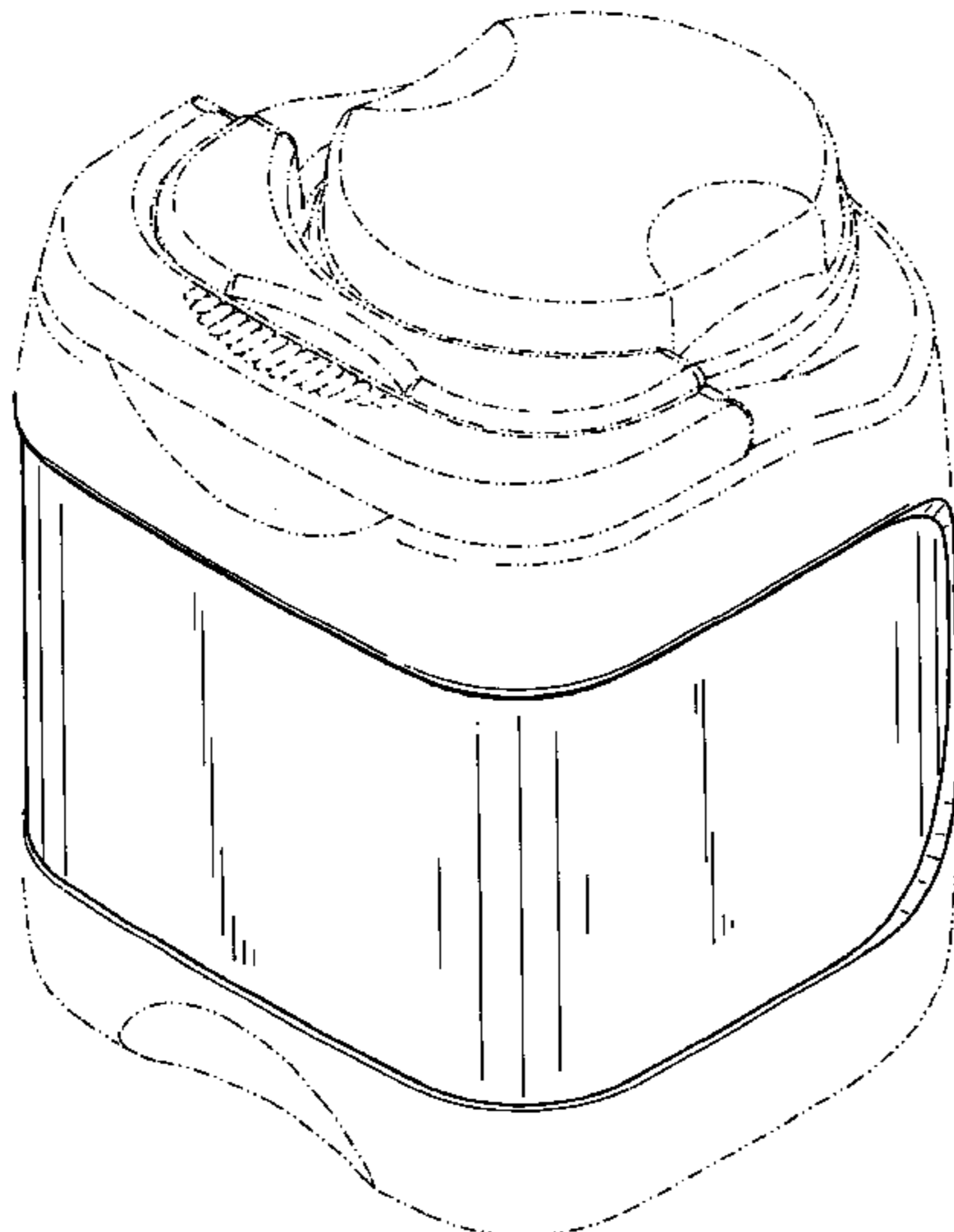


FIG. 1

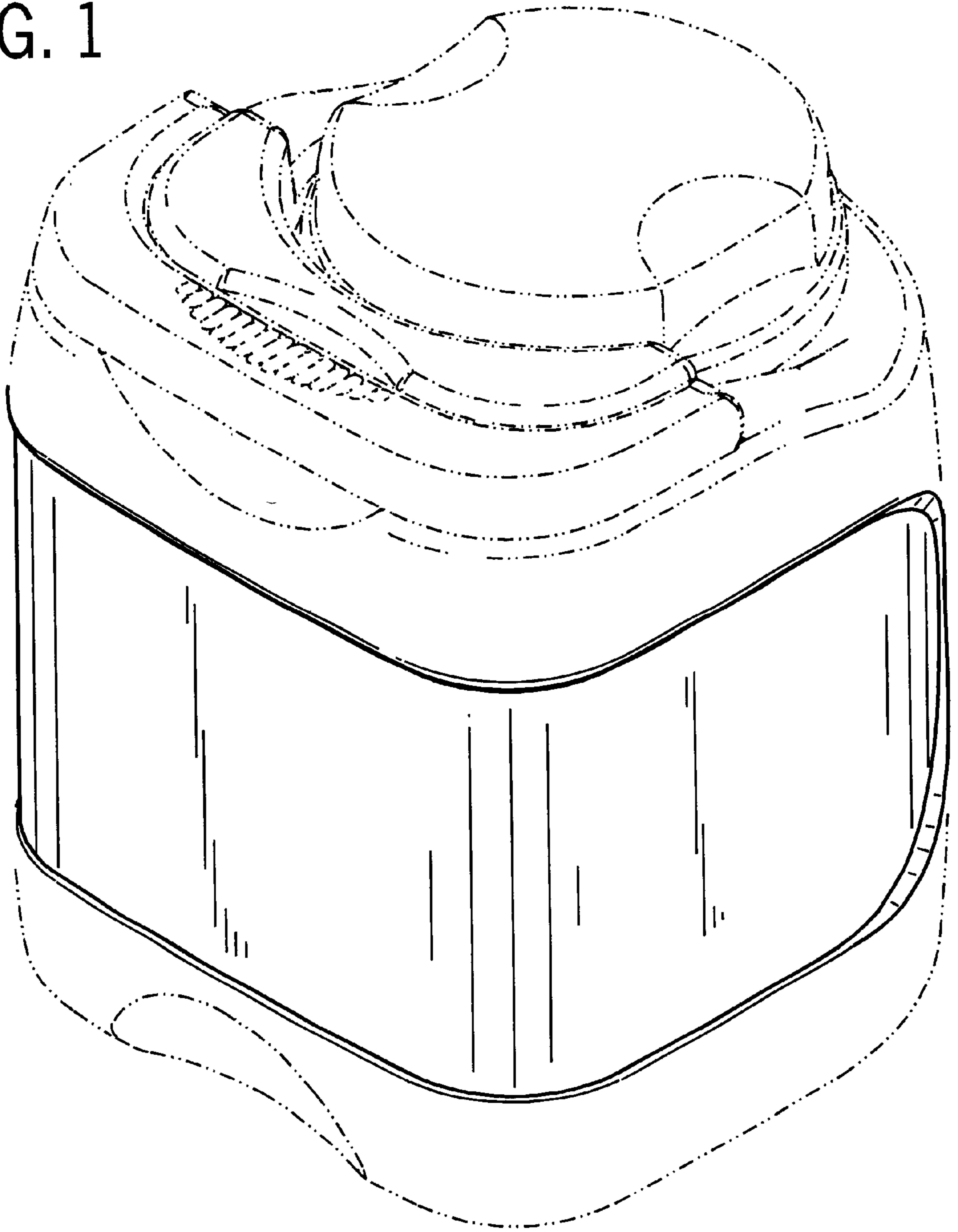


FIG. 2

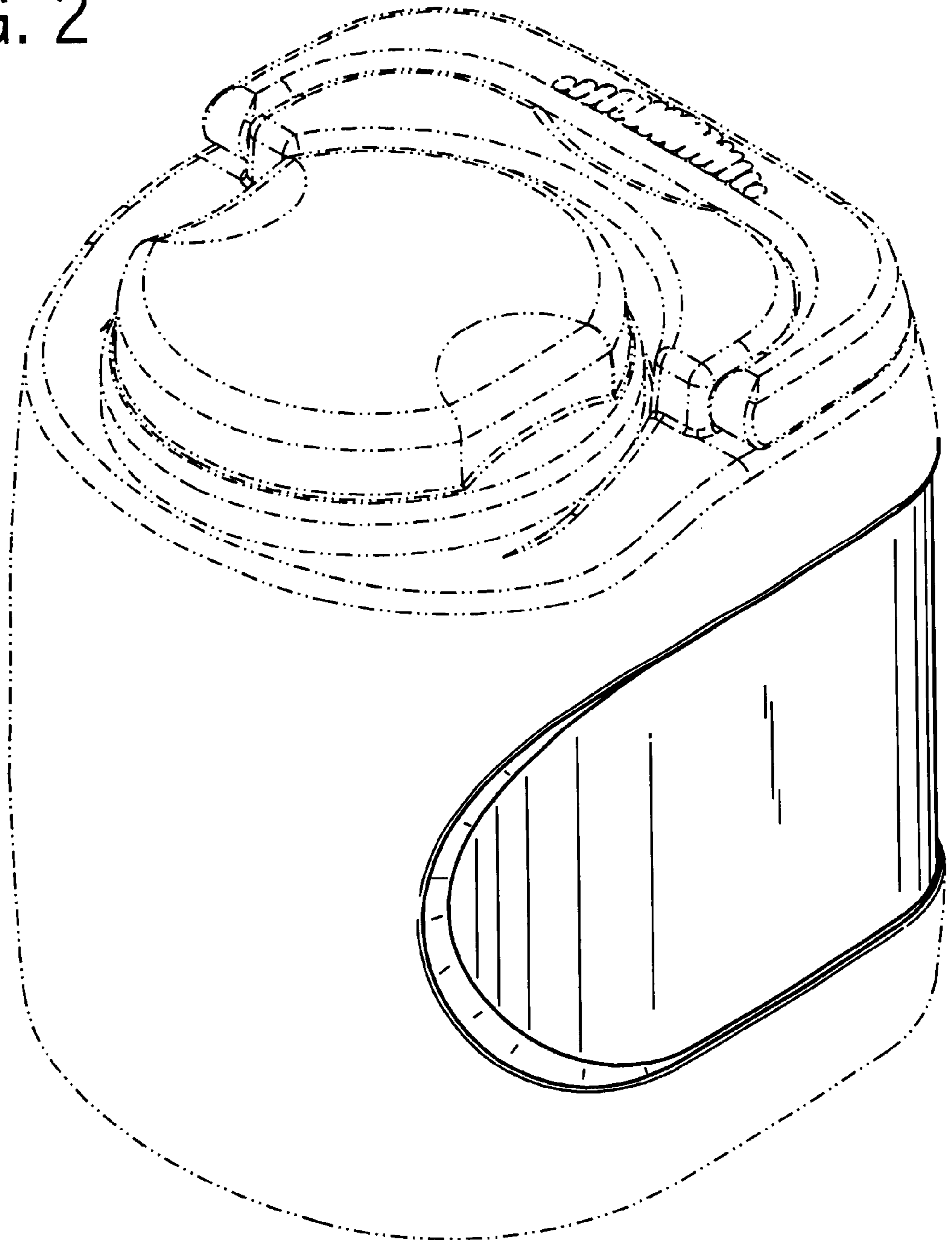


FIG. 3

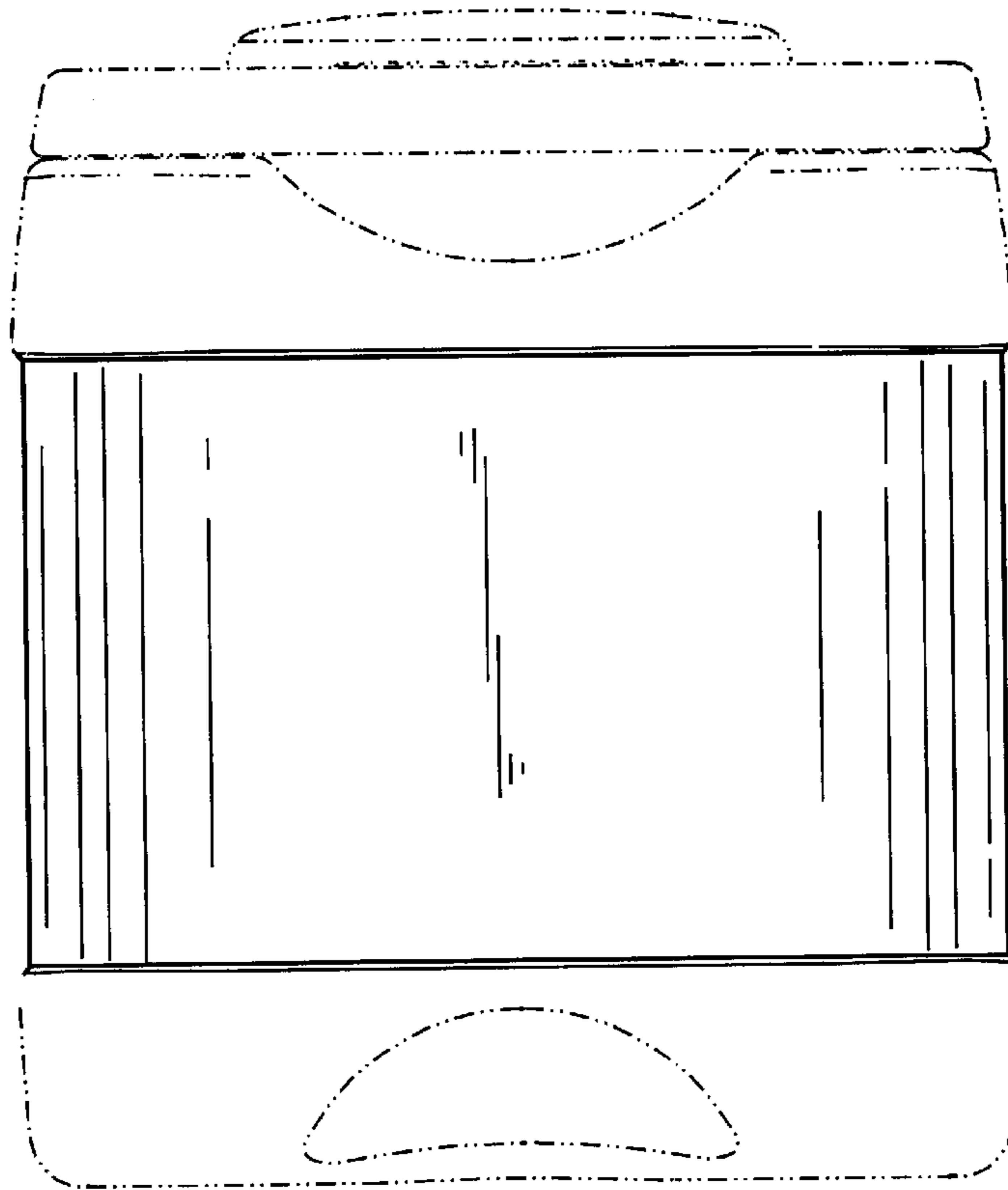


FIG. 4

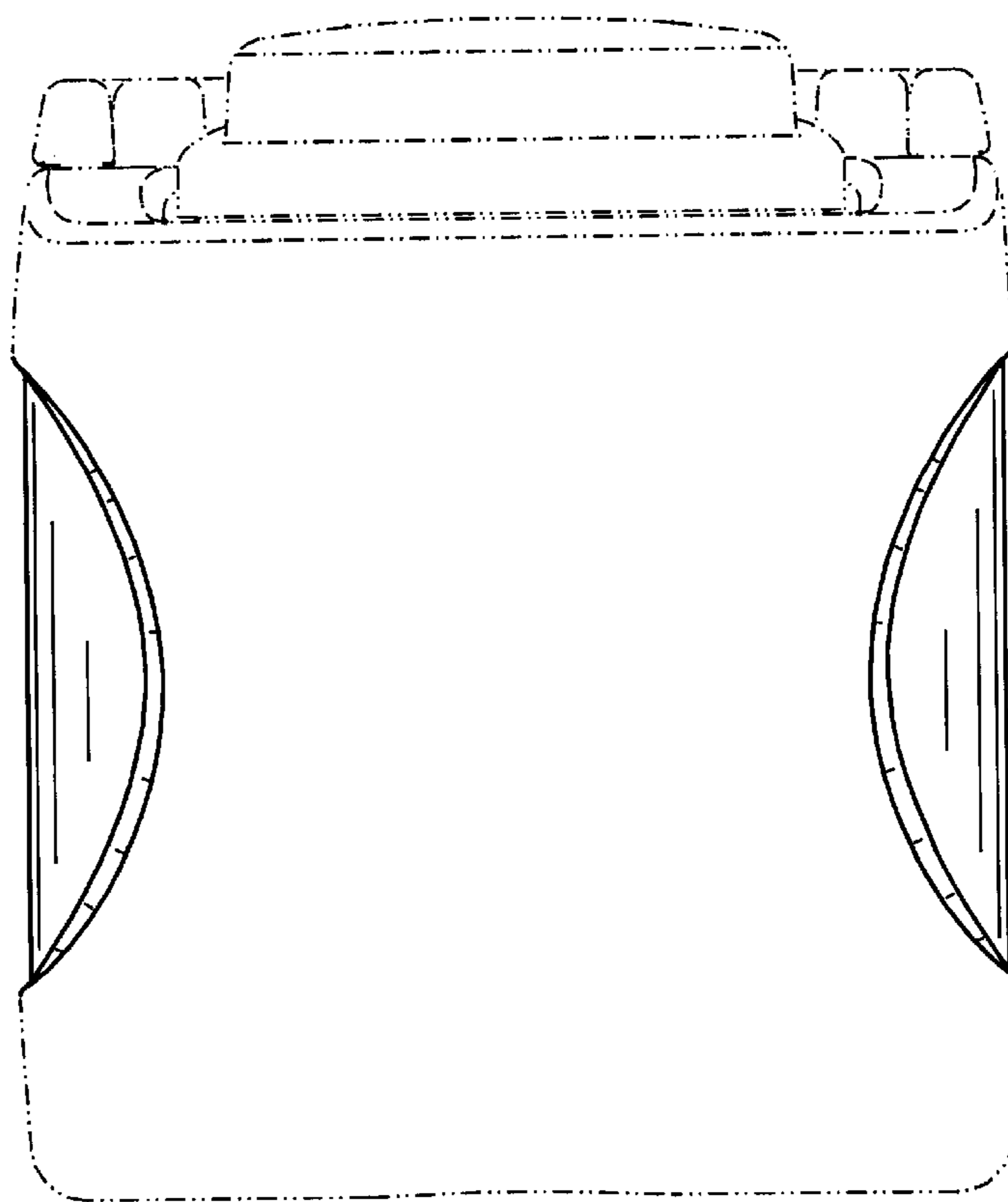


FIG. 5

