



US00D487009S

(12) **United States Design Patent**  
**Hessenberger et al.**

(10) **Patent No.:** **US D487,009 S**

(45) **Date of Patent:** **\*\* Feb. 24, 2004**

(54) **ROUTER BASE**  
  
(75) **Inventors:** **Jeffrey C. Hessenberger**, Neosho, WI (US); **Jeffrey S. Holly**, Menomonee Falls, WI (US); **Melissa Ottens-Rendon**, Waukesha, WI (US); **Christopher Berg**, Milwaukee, WI (US)

(73) **Assignee:** **Milwaukee Electric Tool Corporation**, Brookfield, WI (US)

(\*\*) **Term:** **14 Years**

(21) **Appl. No.:** **29/166,129**

(22) **Filed:** **Aug. 21, 2002**

(51) **LOC (7) Cl.** ..... **08-03**

(52) **U.S. Cl.** ..... **D8/67**

(58) **Field of Search** ..... D8/61, 62, 64, D8/67, 94, 107, 300, DIG. 9; 16/430, 900; 144/134.1, 135.2, 136.1, 136.95, 154.5, 252.1; 310/50; 409/180, 181, 182; 451/456

(56) **References Cited**

**U.S. PATENT DOCUMENTS**

542,568 A	7/1895	Miller	
2,630,152 A	3/1953	Turnbull	
2,943,654 A	7/1960	Emmons	
3,363,510 A	1/1968	Burrows et al.	
3,466,973 A	9/1969	Rees	
3,487,747 A	1/1970	Burrows et al.	
3,489,191 A	* 1/1970	Blevins	310/50
3,490,502 A	1/1970	Willis	
3,494,395 A	2/1970	Graham	
3,587,387 A	6/1971	Burrows et al.	
4,051,880 A	10/1977	Hestily	
4,108,225 A	8/1978	Hestily	
4,239,428 A	12/1980	Berzina	
4,252,164 A	2/1981	Norlander	
D262,185 S	* 12/1981	Huber et al.	D8/67
4,319,860 A	3/1982	Beares	
4,410,022 A	10/1983	Peterson	
4,510,404 A	4/1985	Barrett et al.	
D281,218 S	11/1985	Barrett et al.	

4,562,872 A	1/1986	Fushiya et al.	
D286,132 S	10/1986	Yamamoto	
4,615,654 A	10/1986	Shaw	
4,652,191 A	* 3/1987	Bernier	409/182
4,718,468 A	* 1/1988	Cowman	144/154.5
4,770,573 A	9/1988	Monobe	
4,776,374 A	10/1988	Charlebois	
D300,501 S	4/1989	Zurwelle	
D304,543 S	* 11/1989	Somers et al.	D8/61
4,919,176 A	4/1990	Gachet et al.	
4,938,642 A	7/1990	Imahashi et al.	
5,062,460 A	11/1991	DeLine	
5,074,724 A	12/1991	McCracken	
5,078,557 A	1/1992	McCracken	
5,088,865 A	2/1992	Beth et al.	
5,117,879 A	6/1992	Payne	
5,139,061 A	8/1992	Neilson	

(List continued on next page.)

*Primary Examiner*—Doris V. Coles  
*Assistant Examiner*—Elizabeth A. Albert  
(74) *Attorney, Agent, or Firm*—Michael Best & Friedrich LLP

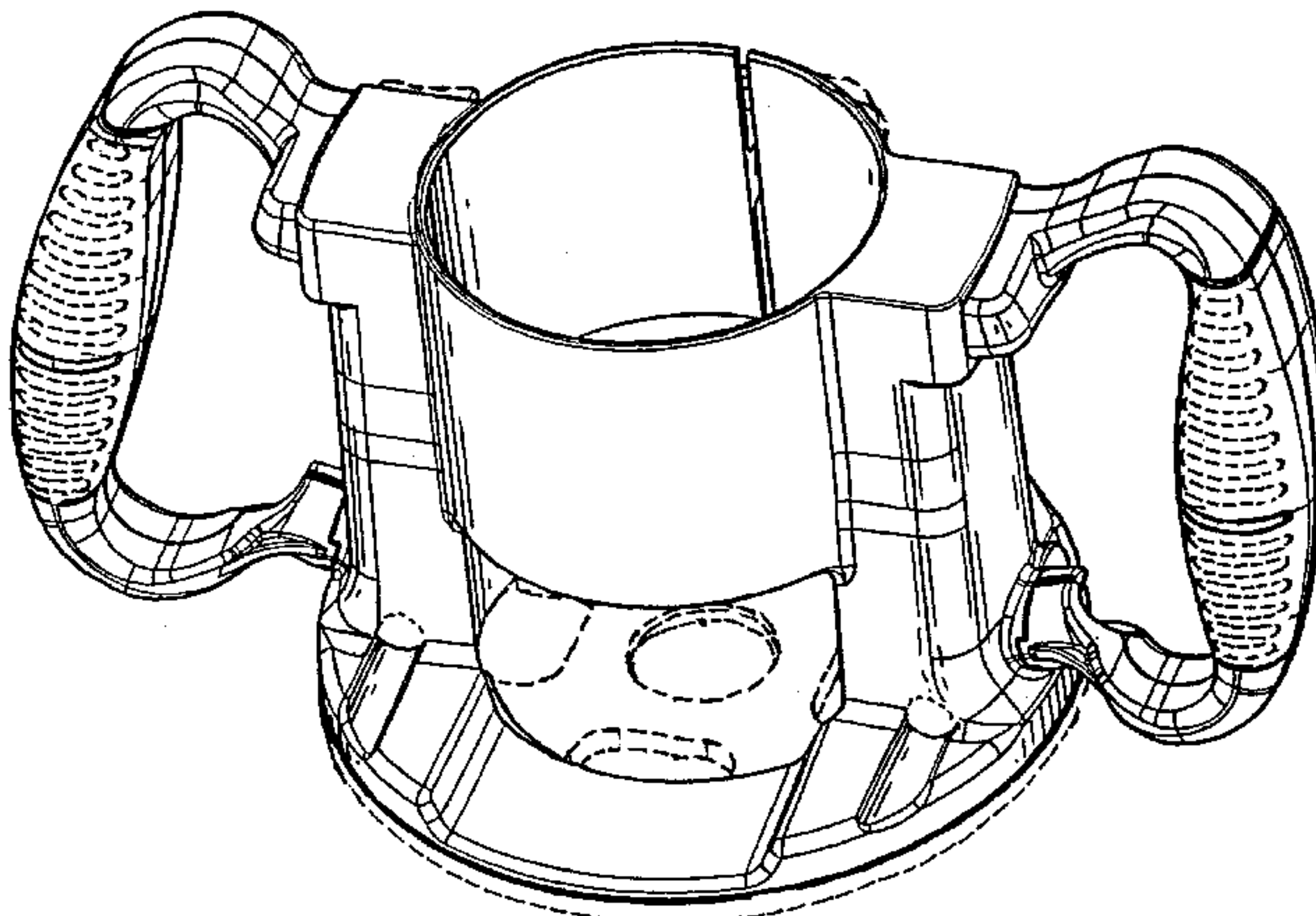
(57) **CLAIM**

We claim the ornamental design for a router base, as described and shown.

**DESCRIPTION**

FIG. 1 is a front perspective view of a router base embodying the present invention.  
FIG. 2 is rear perspective of the router base shown in FIG. 1.  
FIG. 3 is a front view of the router base shown in FIG. 1.  
FIG. 4 is a rear view of the router base shown in FIG. 1.  
FIG. 5 is a left side view of the router base shown in FIG. 1.  
FIG. 6 is a right side view of the router base shown in FIG. 1.  
FIG. 7 is a top view of the router base shown in FIG. 1; and, FIG. 8 is a bottom view of the router base shown in FIG. 1. The broken line showing of the environment is for illustrative purposes only and forms no part of the claimed design.

**1 Claim, 8 Drawing Sheets**



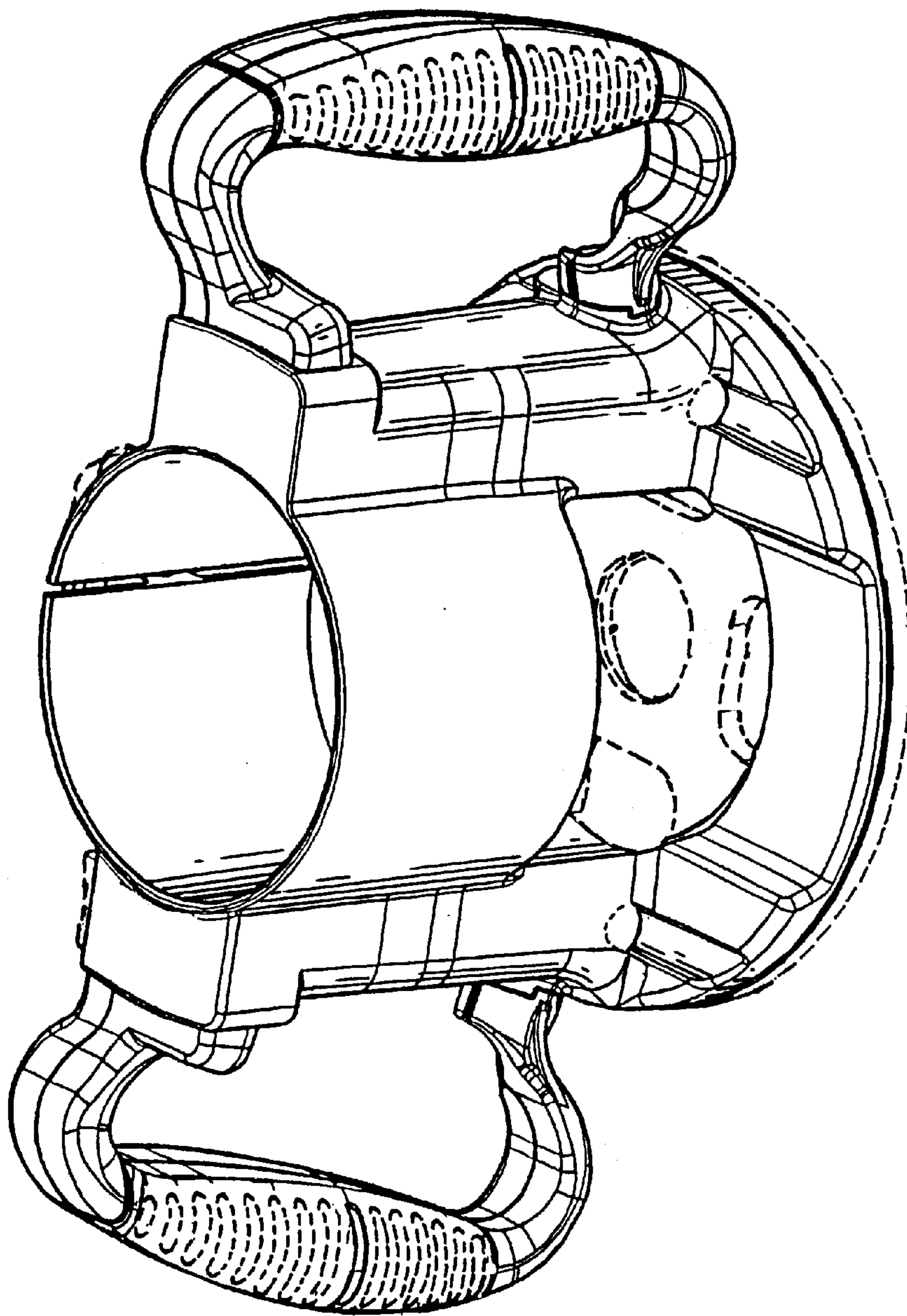
# US D487,009 S

Page 2

## U.S. PATENT DOCUMENTS

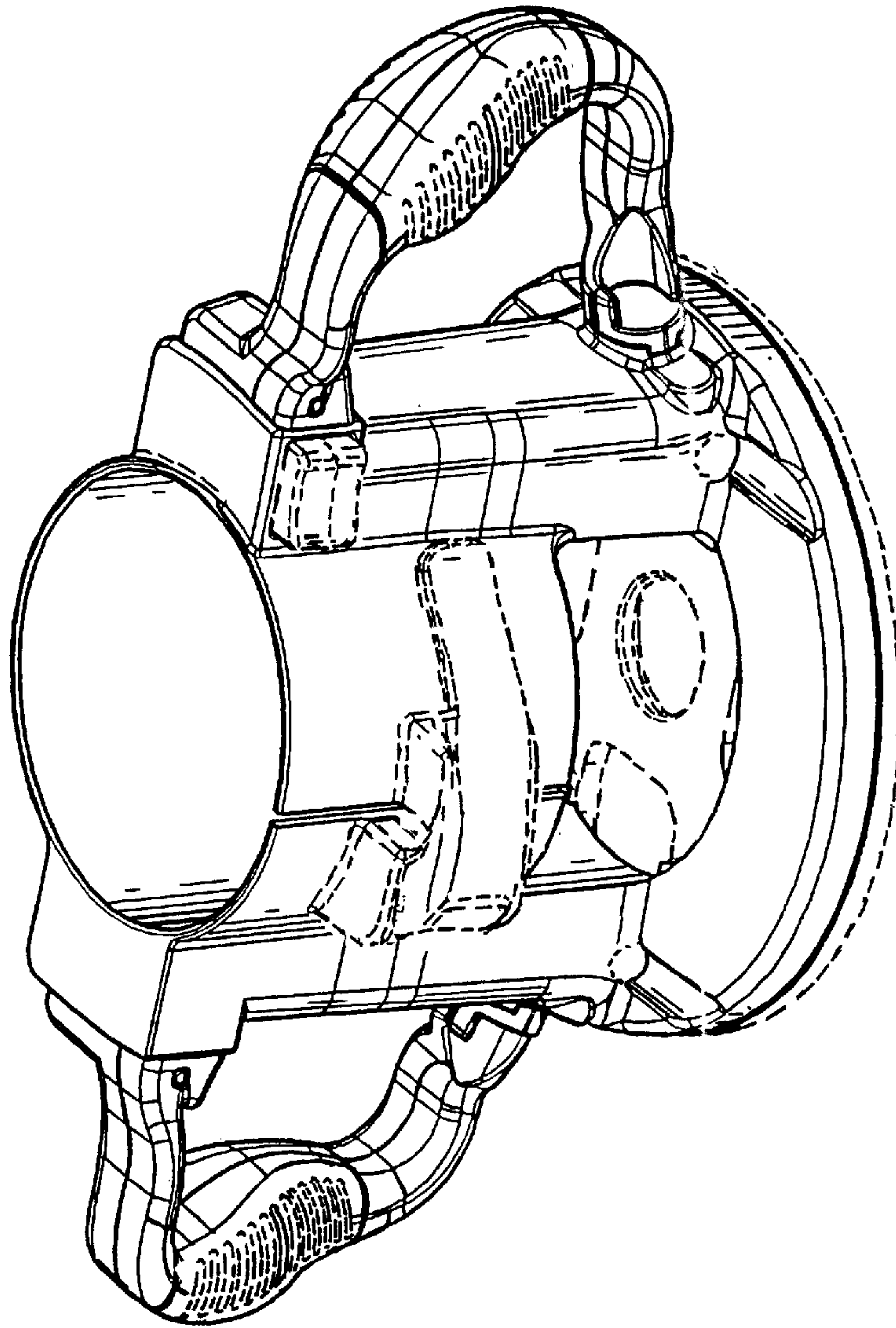
5,181,813 A	1/1993	McCracken			
5,188,492 A	2/1993	McCracken			
5,191,921 A	3/1993	McCurry			
D340,174 S	* 10/1993	Hoshino et al.	.....	D8/67	
D341,305 S	11/1993	Svetlik			
5,265,657 A	11/1993	Matsumoto et al.			
5,273,089 A	12/1993	Fuchs et al.			
D349,637 S	* 8/1994	Hoshino et al.	.....	D8/67	
5,375,636 A	12/1994	Bosten et al.			
5,452,751 A	9/1995	Engler, III et al.			
5,469,601 A	11/1995	Jackson			
5,584,620 A	* 12/1996	Blickhan et al.	.....	409/182	
5,640,741 A	6/1997	Yano			
5,662,440 A	9/1997	Kikuchi et al.			
5,671,789 A	* 9/1997	Stolzer et al.	.....	409/182	
5,678,965 A	10/1997	Strick			
5,725,036 A	3/1998	Walter			
5,725,038 A	3/1998	Tucker et al.			
5,758,702 A	6/1998	Adams			
5,803,684 A	9/1998	Wang			
5,853,273 A	12/1998	Coffey			
5,853,274 A	12/1998	Coffey et al.			
5,909,987 A	* 6/1999	Coffey et al.	.....	409/182	
5,918,652 A	7/1999	Tucker			
D416,460 S	11/1999	Bosten et al.			
5,988,241 A	11/1999	Bosten et al.			
5,993,124 A	11/1999	Cooper et al.			
5,997,225 A	12/1999	Young et al.			
5,998,897 A	12/1999	Bosten et al.			
6,065,912 A	5/2000	Bosten et al.			
6,079,915 A	6/2000	Bosten et al.			
6,113,323 A	9/2000	Bosten et al.			
6,139,229 A	10/2000	Bosten et al.			
6,182,723 B1	2/2001	Bosten et al.			
6,261,036 B1	7/2001	Bosten et al.			
D450,230 S	* 11/2001	Long et al.	.....	D8/107	
6,318,936 B1	11/2001	McFarlin, Jr. et al.			
D461,389 S	* 8/2002	Hsiao	.....	D8/107	
D473,439 S	* 4/2003	Grant et al.	.....	D8/61	

\* cited by examiner

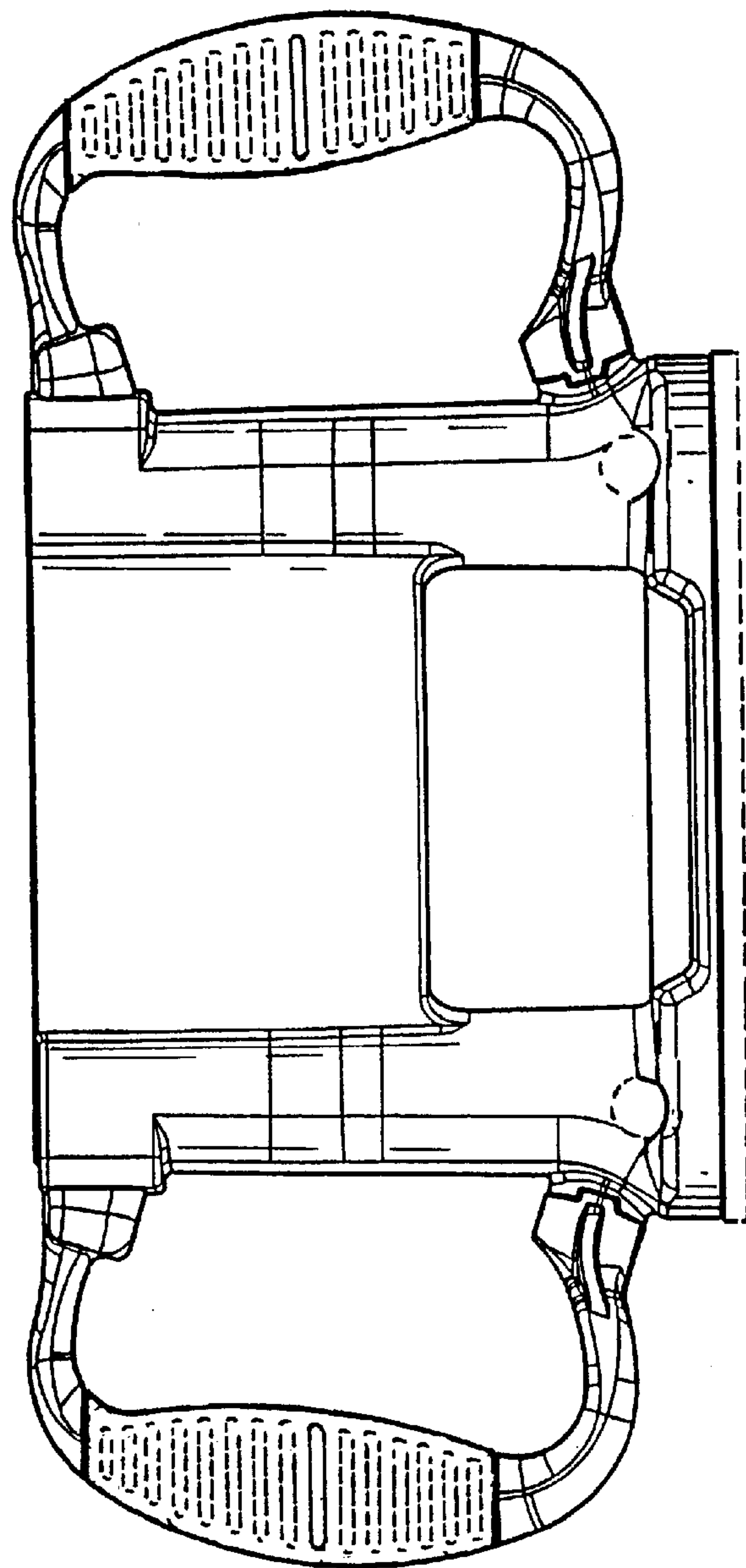


*Fig. 1*

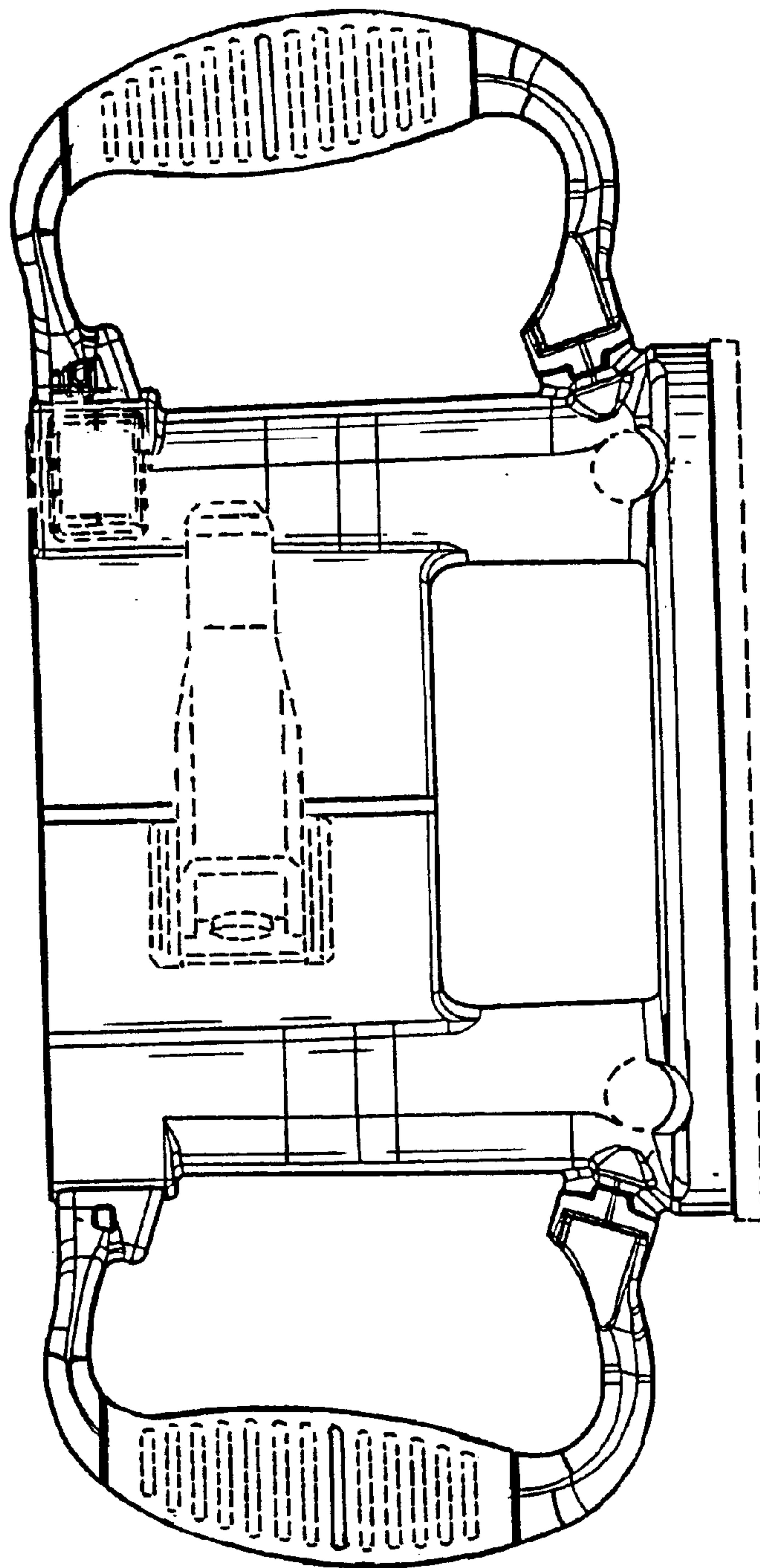




*Fig. 2*



*Fig. 3*



*Fig. 4*

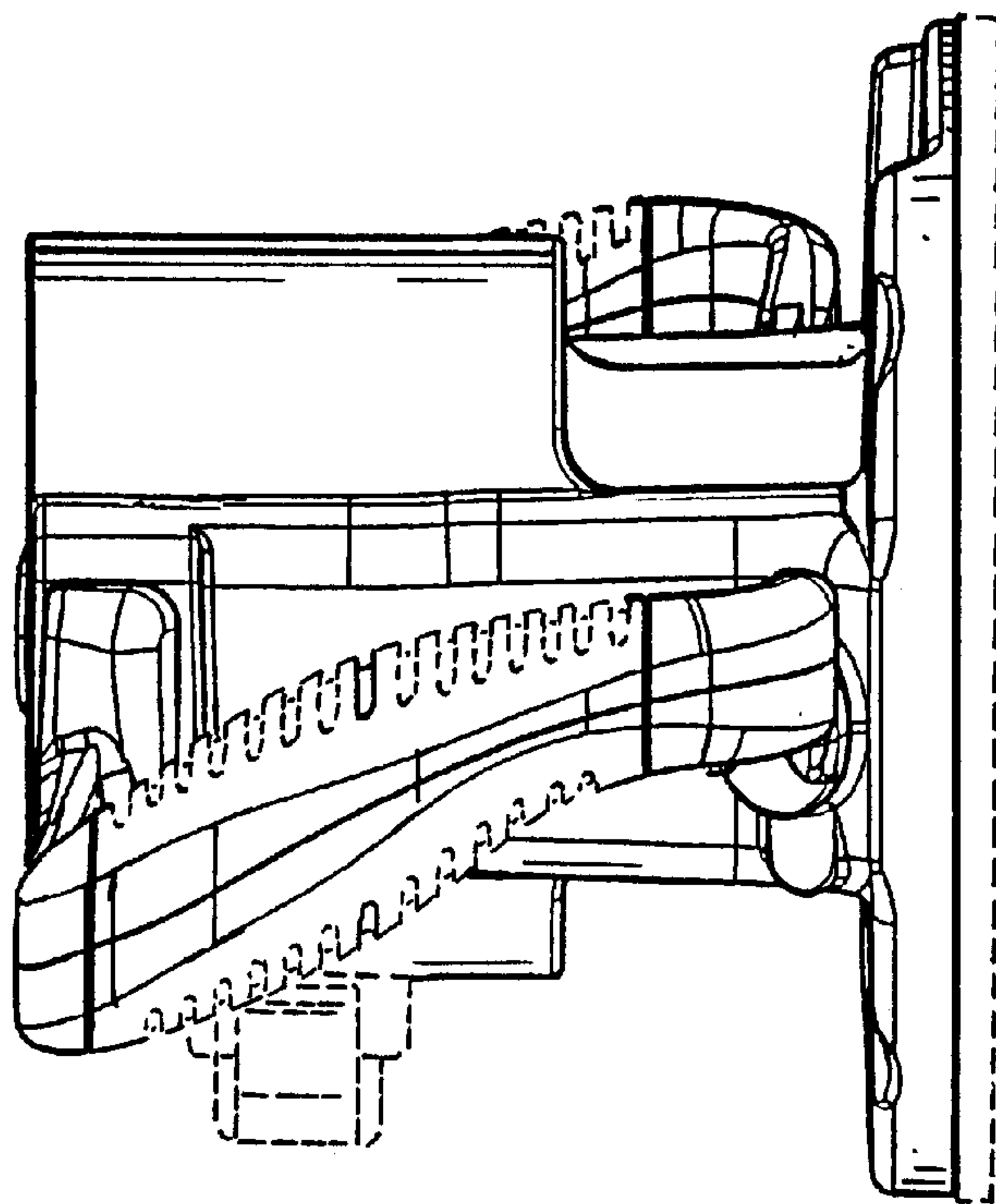


Fig. 5

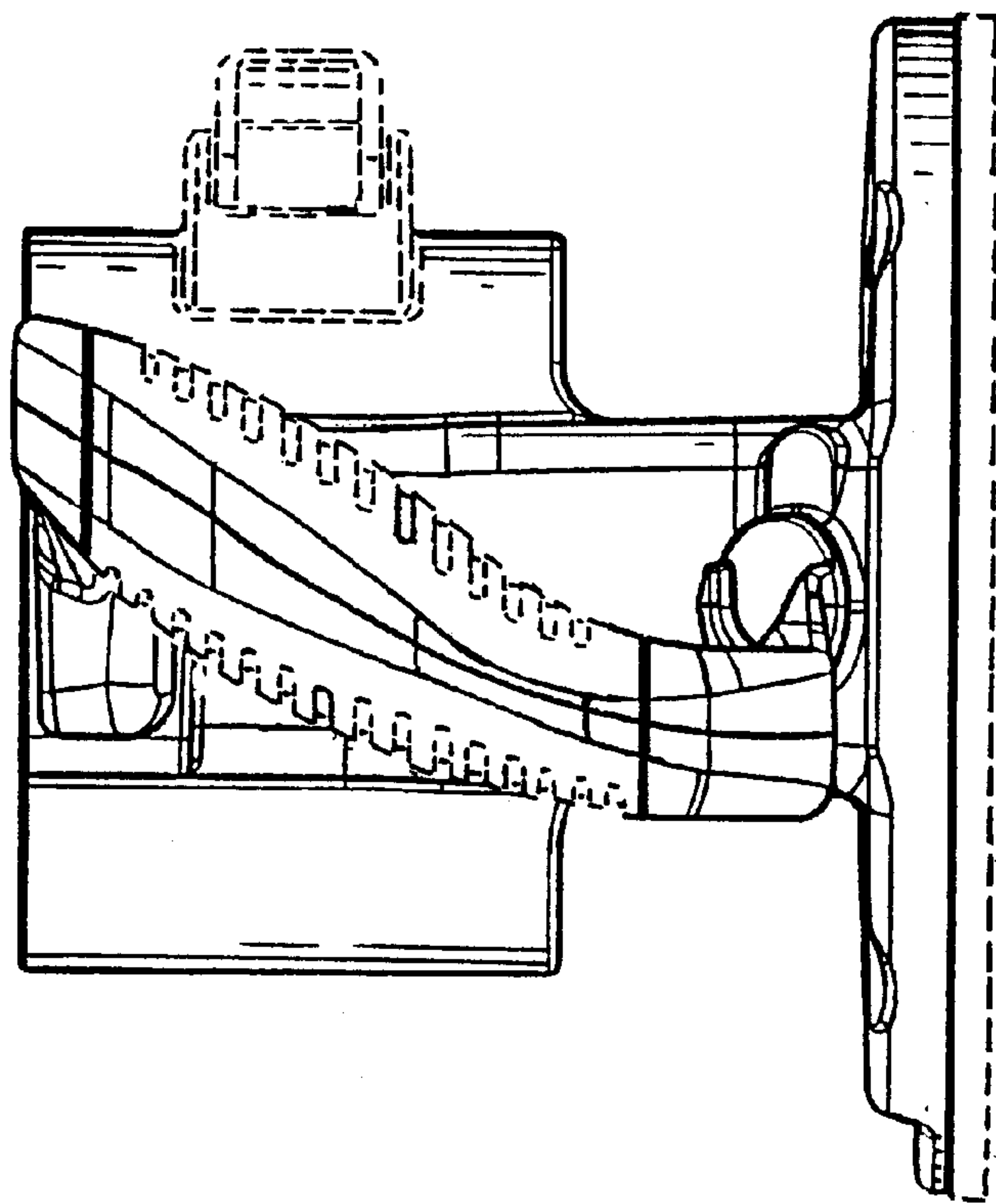
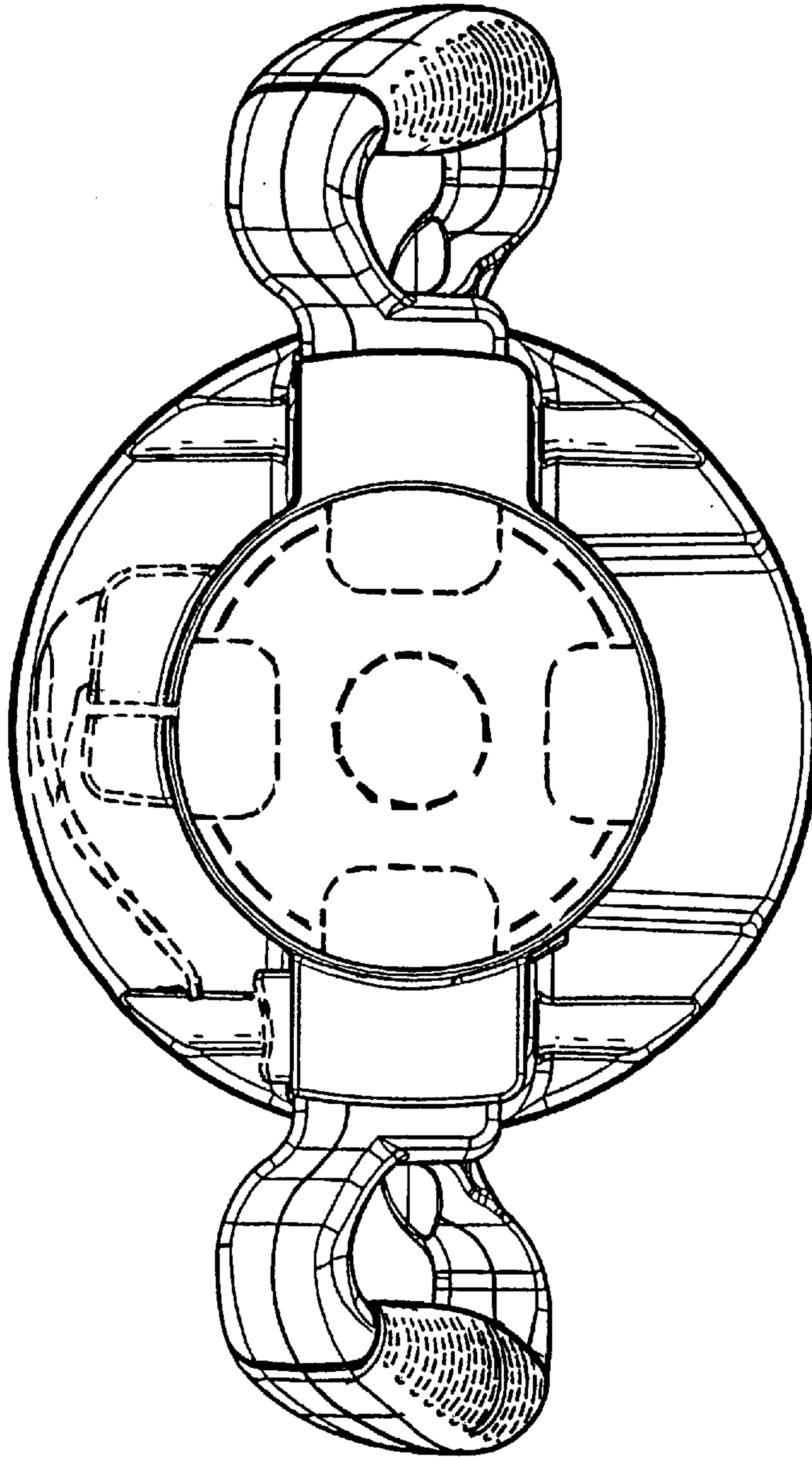
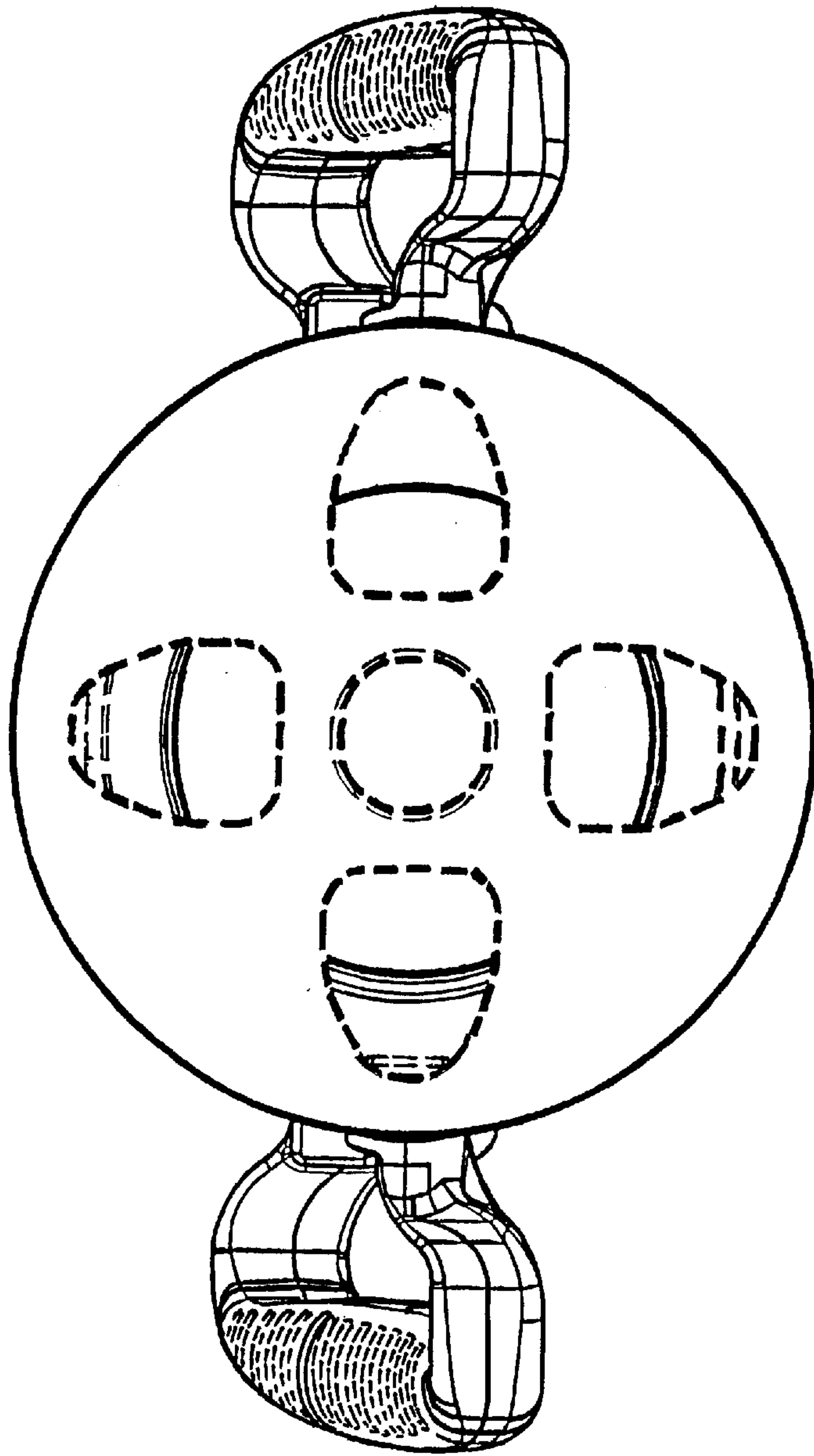


Fig. 6





*Fig. 17*



*Fig. 8*