



US00D487008S

(12) **United States Design Patent**  
**Andriolo**

(10) **Patent No.:** **US D487,008 S**

(45) **Date of Patent:** **\*\* Feb. 24, 2004**

(54) **BELT SANDER POWER TOOL**

(75) Inventor: **Paolo Andriolo, Vicenza (IT)**

(73) Assignee: **Positec Power Tools (Europe) Ltd.**  
**(GB)**

(\*\*) Term: **14 Years**

(21) Appl. No.: **29/157,306**

(22) Filed: **Mar. 15, 2002**

(30) **Foreign Application Priority Data**

Sep. 15, 2001 (GB) ..... 2104782

(51) **LOC (7) Cl.** ..... **08-01**

(52) **U.S. Cl.** ..... **D8/62**

(58) **Field of Search** ..... D8/61, 62, 67,  
D8/69, 70; D32/15, 19; 15/97.1, 98; 310/50;  
451/294, 344, 353, 354, 355, 356, 357,  
358, 451, 453, 456

(56) **References Cited**

**U.S. PATENT DOCUMENTS**

D176,001 S \* 11/1955 Bentley ..... D8/62  
3,029,568 A \* 4/1962 Lubas ..... D8/62  
D205,080 S \* 6/1966 Averitt ..... D8/62  
4,177,609 A \* 12/1979 Rameckers et al. .... 451/296

D286,737 S \* 11/1986 House, II et al. .... D8/62  
5,725,086 A \* 3/1998 Cooper ..... 200/302.3  
5,947,804 A \* 9/1999 Fukinuki et al. .... 451/357  
D420,875 S \* 2/2000 Okitsu et al. .... D8/62  
6,159,085 A \* 12/2000 Hara ..... 451/451  
D453,668 S \* 2/2002 Pretzell ..... D8/62

\* cited by examiner

*Primary Examiner*—Doris V. Coles

*Assistant Examiner*—Elizabeth A. Albert

(74) *Attorney, Agent, or Firm*—Young & Basile, P.C.

(57) **CLAIM**

The ornamental design for a belt sander power tool, as shown and described.

**DESCRIPTION**

FIG. 1 is a perspective view showing my new design of a belt sander power tool;

FIG. 2 is a front elevational view of the belt sander power tool in FIG. 1;

FIG. 3 is a rear elevational view thereof;

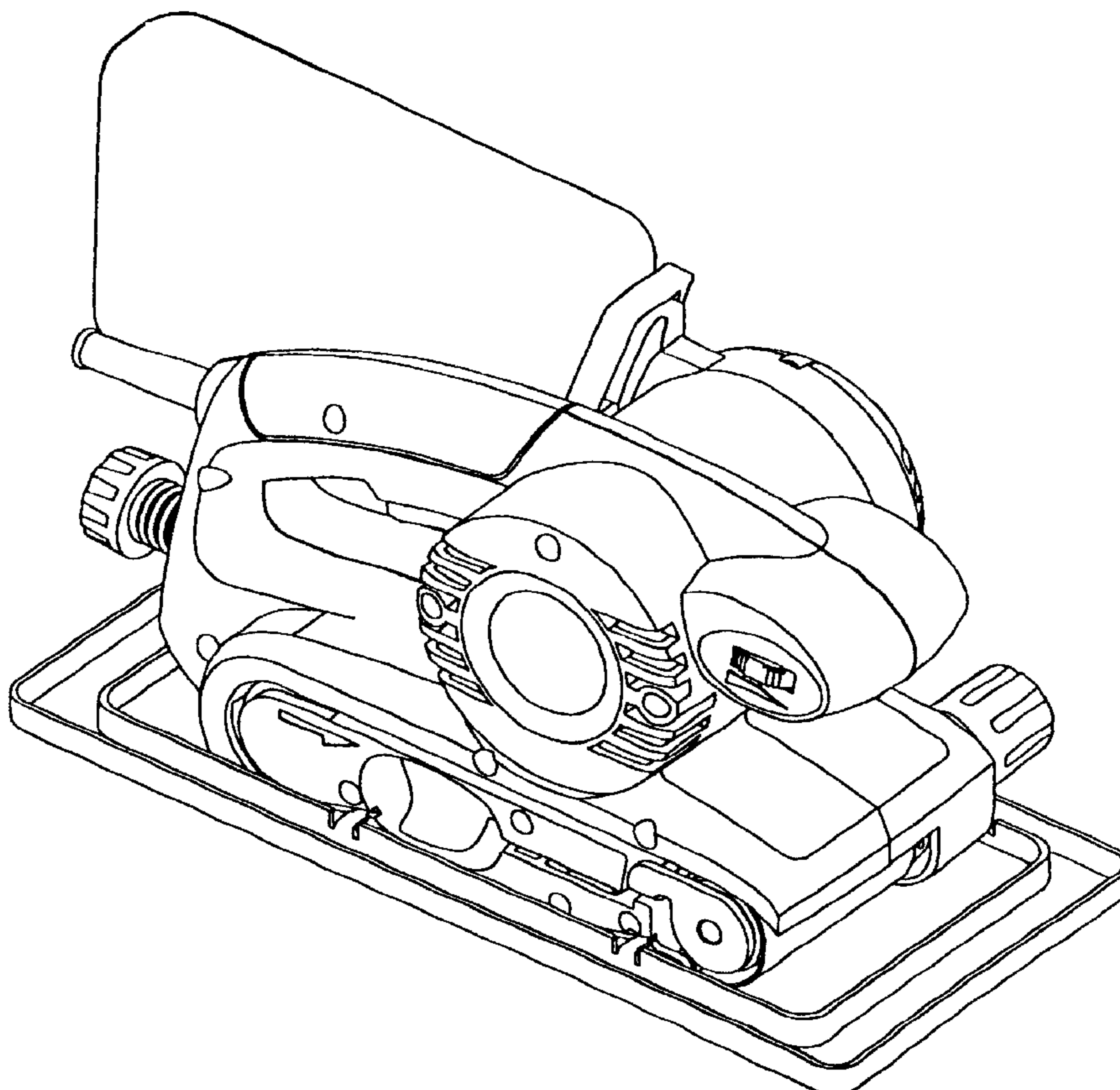
FIG. 4 is a right-side elevational view thereof;

FIG. 5 is a left-side elevational view thereof;

FIG. 6 is a top elevational view thereof; and,

FIG. 7 is a bottom elevational view thereof.

**1 Claim, 7 Drawing Sheets**



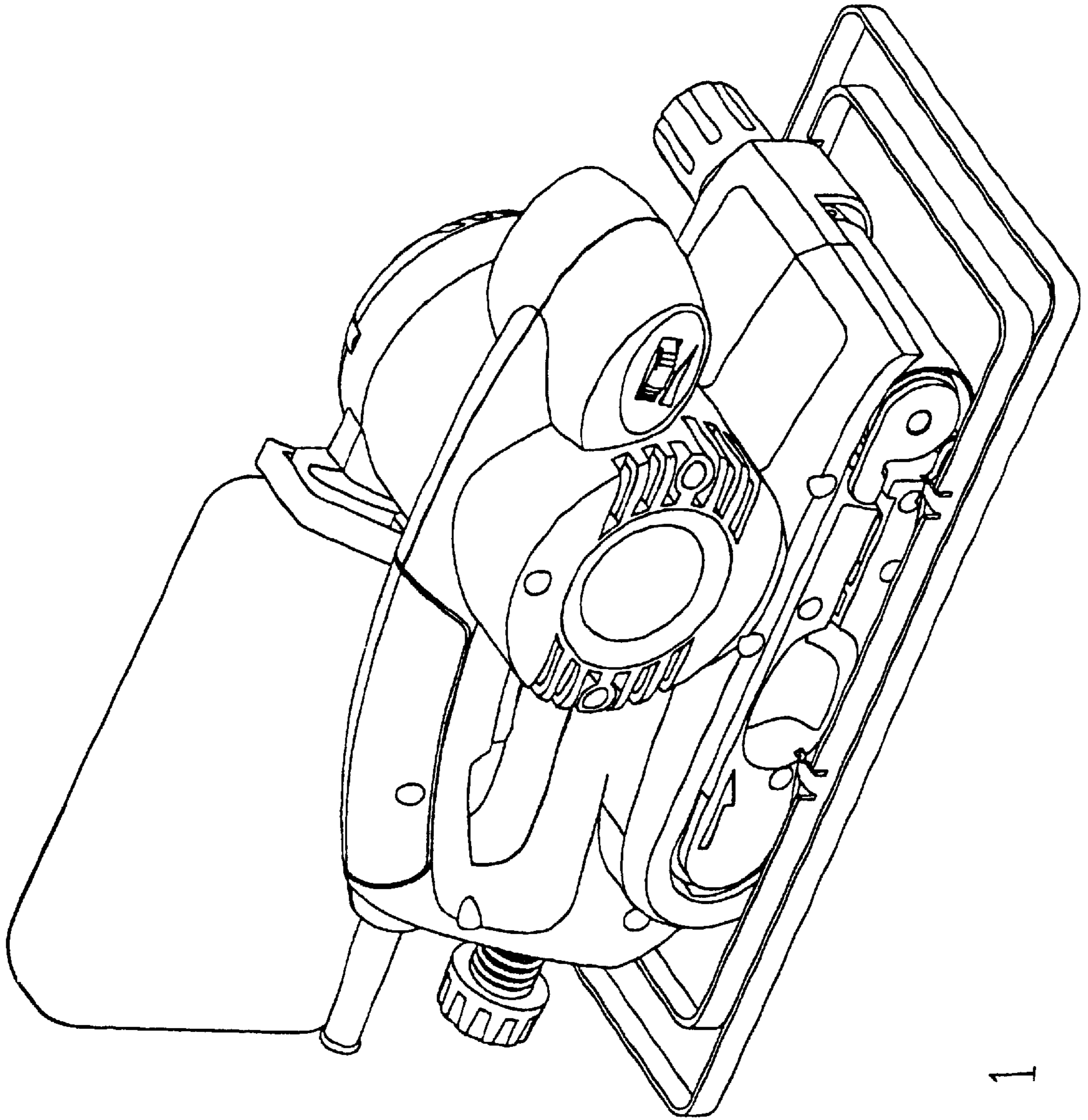


FIGURE 1

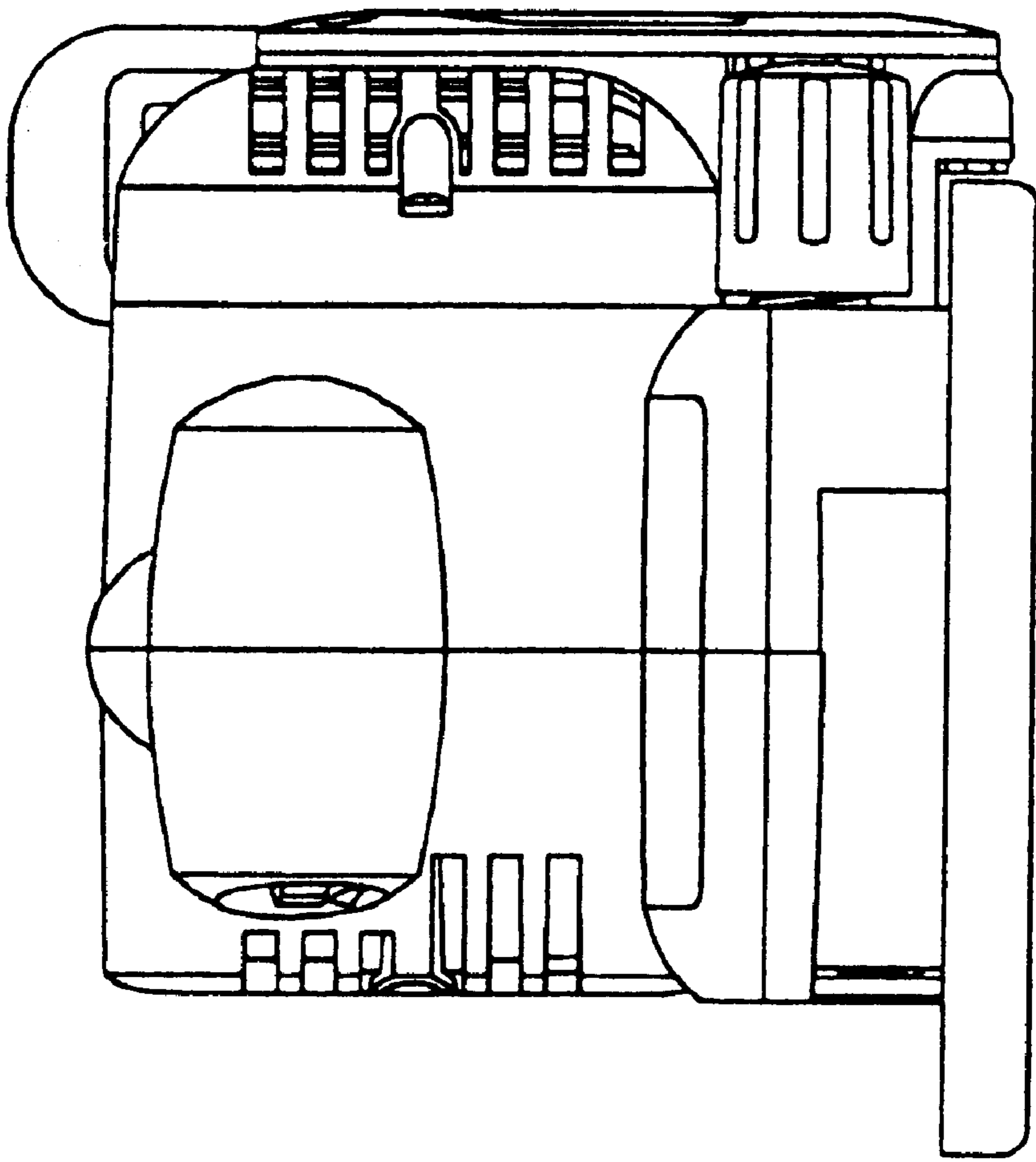


FIGURE 2

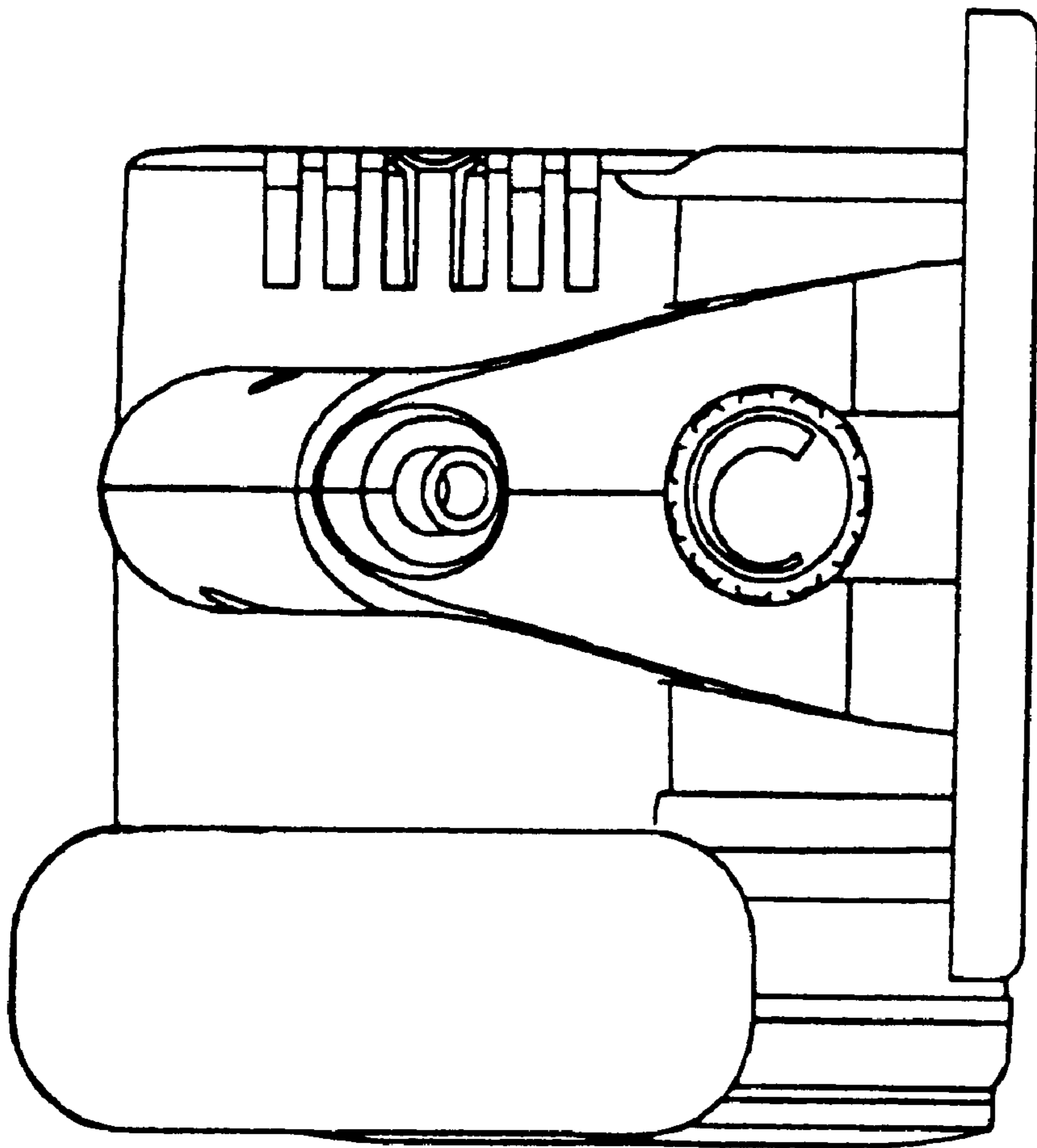


FIGURE 3

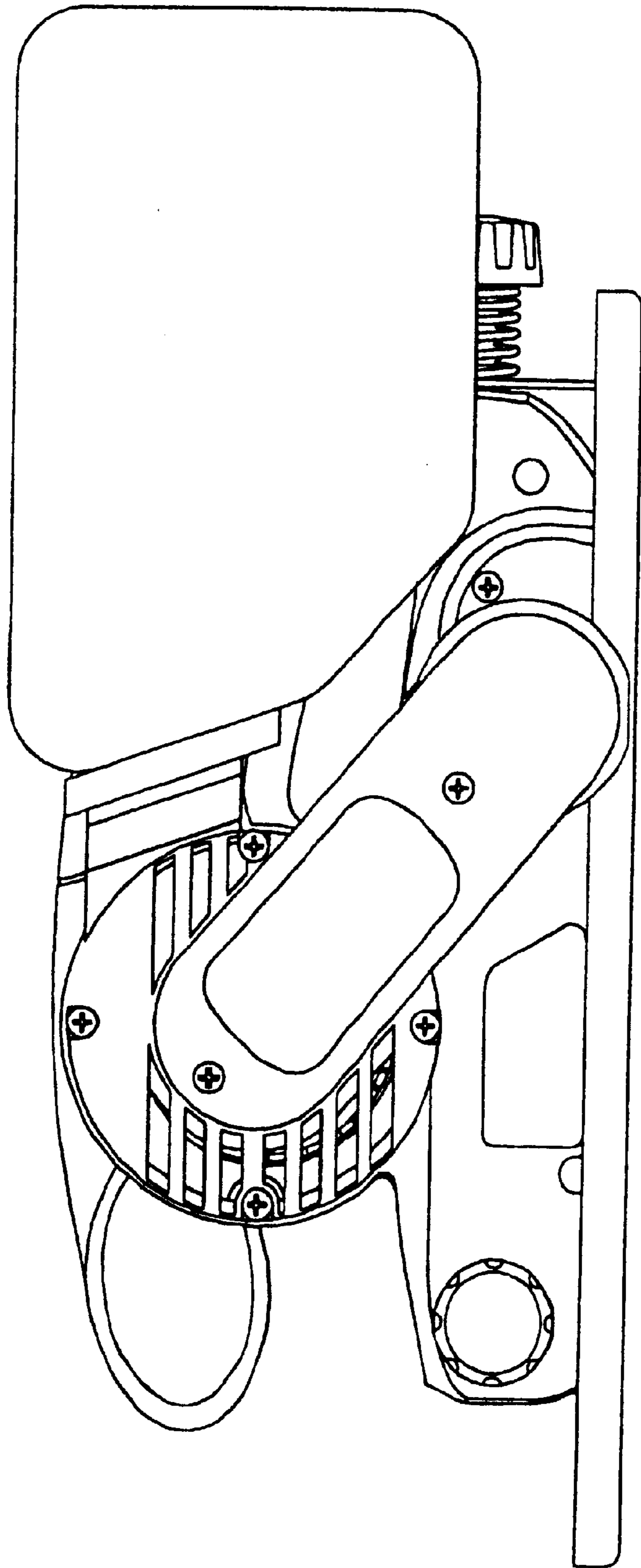


FIGURE 4

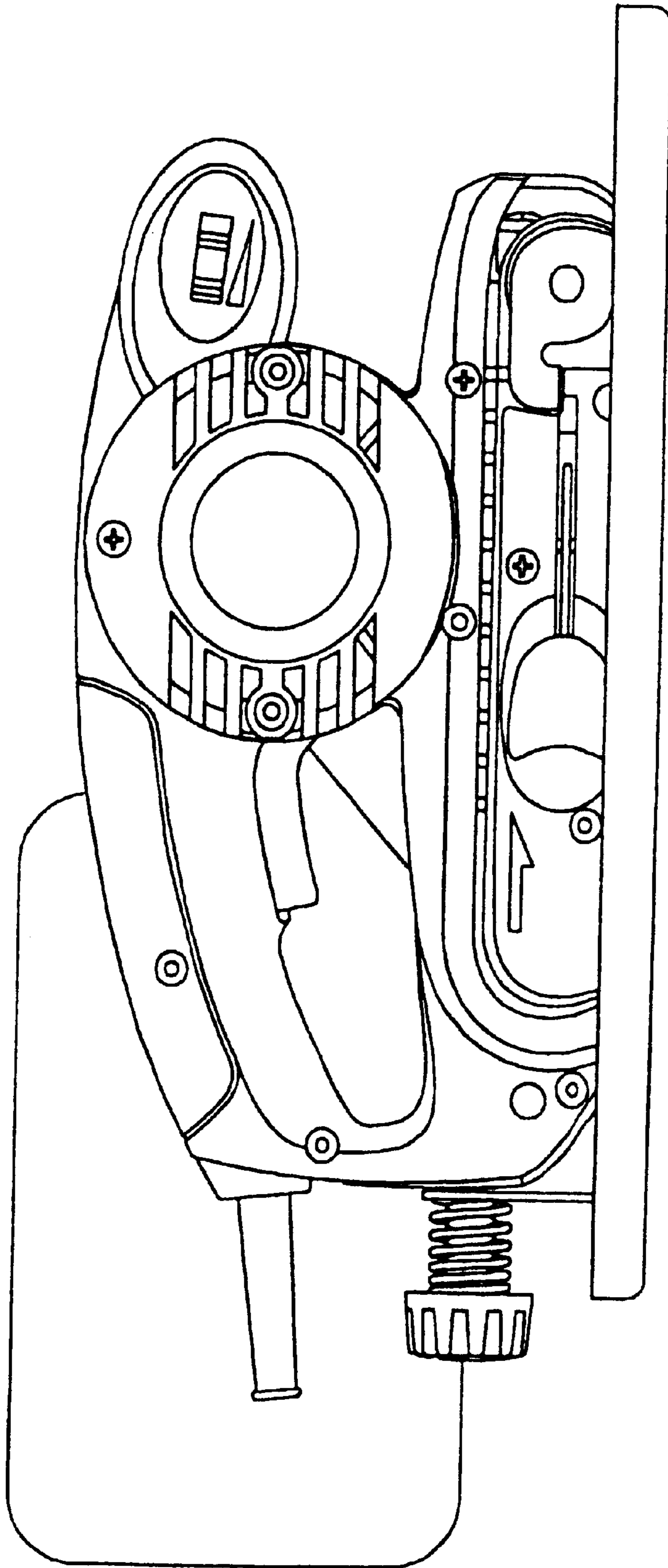


FIGURE 5

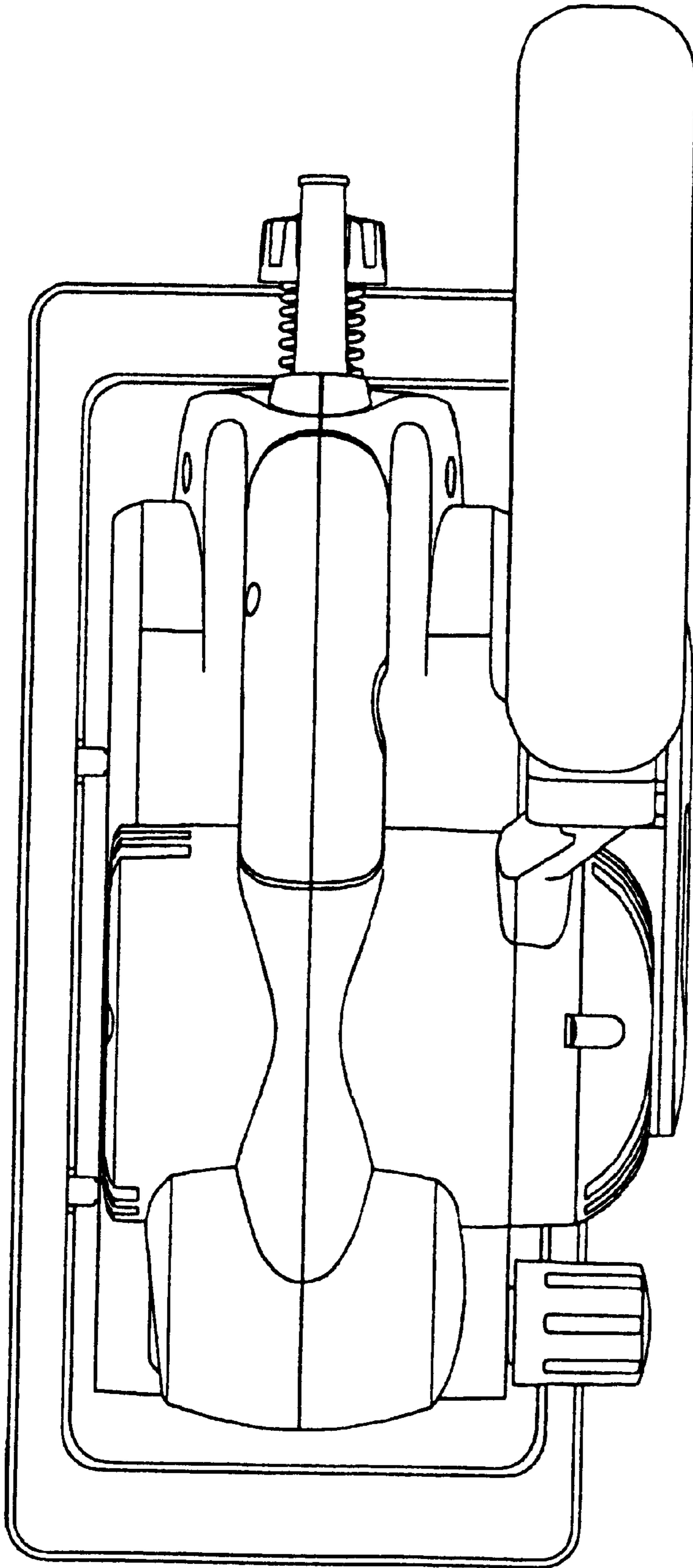


FIGURE 6

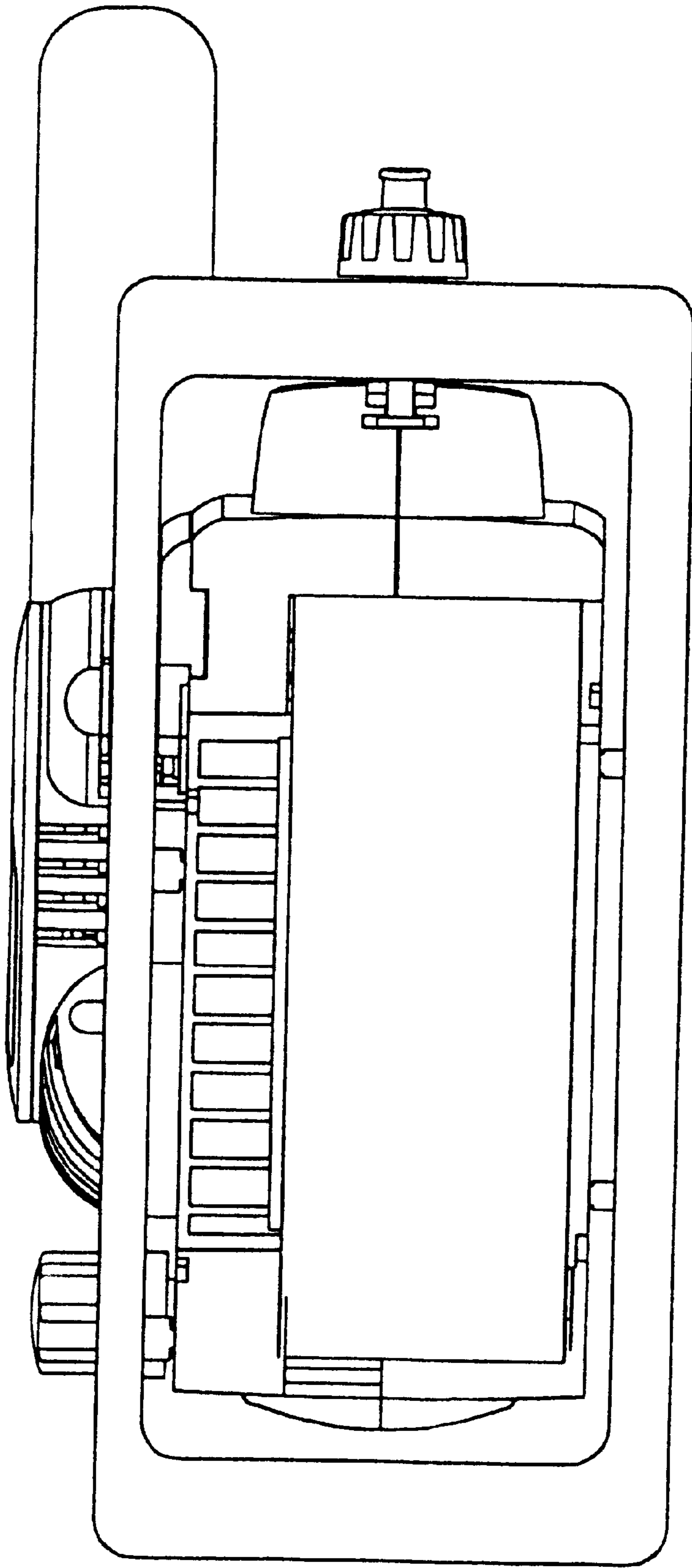


FIGURE 7