



US00D487007S

(12) **United States Design Patent**
Lee

(10) **Patent No.:** **US D487,007 S**

(45) **Date of Patent:** **** Feb. 24, 2004**

(54) **STAPLER**

(76) **Inventor:** **Ying-Chou Lee**, No. 9, Alley 9, Lane 42, Lung Feng Street, Fengyuan (TW)

(**) **Term:** **14 Years**

(21) **Appl. No.:** **29/183,056**

(22) **Filed:** **Jun. 6, 2003**

(51) **LOC (7) Cl.** **19-02**

(52) **U.S. Cl.** **D8/50**

(58) **Field of Search** D8/49, 50, 61;
D19/72; 227/120, 127, 128, 131, 132, 134

(56) **References Cited**

U.S. PATENT DOCUMENTS

D367,414 S	*	2/1996	Chi	D8/50
5,509,595 A	*	4/1996	Ho	227/134
D394,591 S	*	5/1998	Jacquet	D8/50
D401,825 S	*	12/1998	Parsey et al.	D8/50

D447,676 S	*	9/2001	Wilson et al.	D8/50
D478,798 S	*	8/2003	Huang	D8/50

* cited by examiner

Primary Examiner—Adir Aronovich

(74) *Attorney, Agent, or Firm*—Bacon & Thomas, PLLC

(57) **CLAIM**

The ornamental design for a stapler, as shown and described.

DESCRIPTION

FIG. 1 is a perspective view of a stapler showing my new design;

FIG. 2 is a left side view thereof;

FIG. 3 is a right side view thereof;

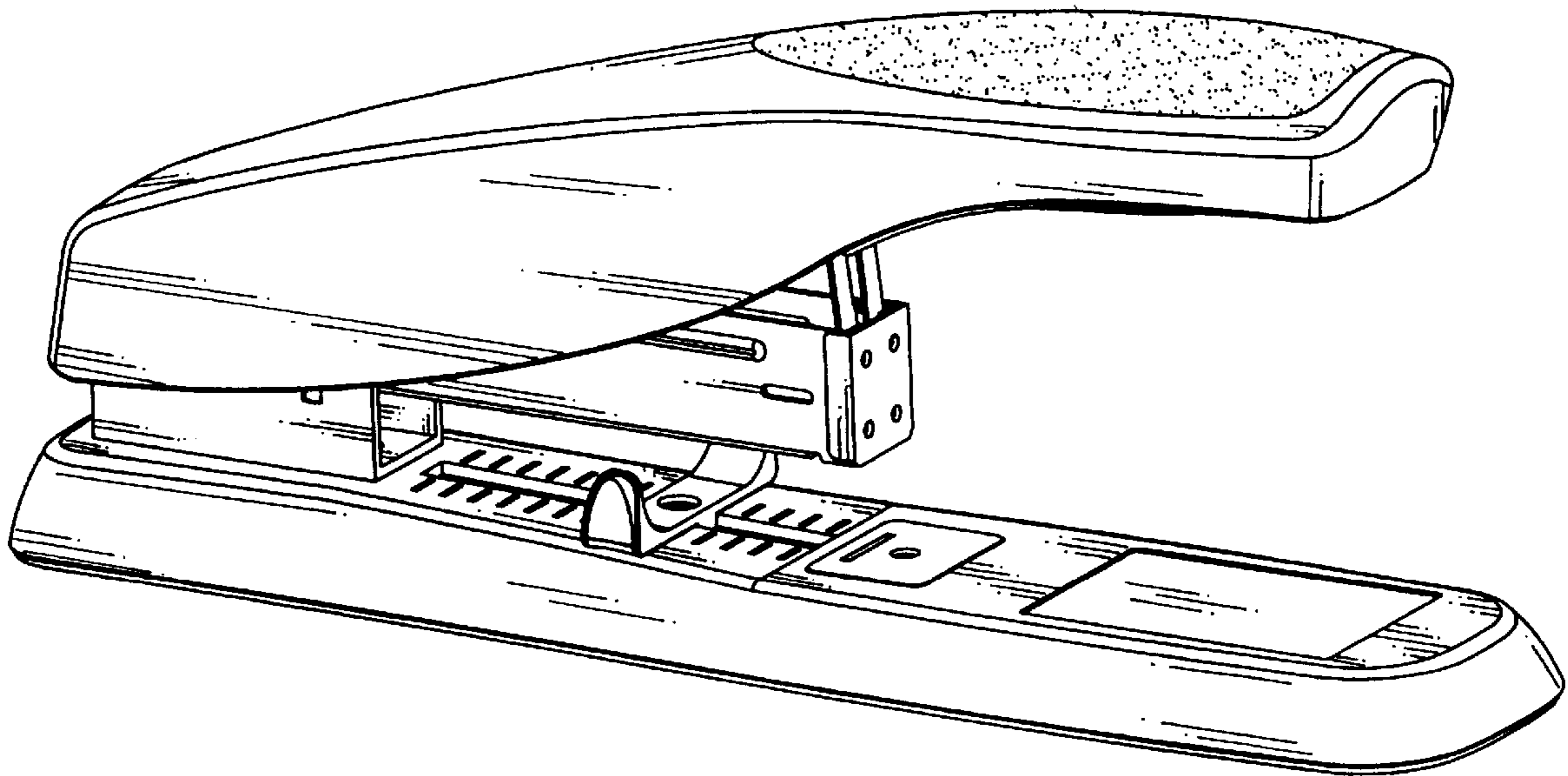
FIG. 4 is a front elevational view thereof;

FIG. 5 is a rear elevational view thereof;

FIG. 6 is a top plan view thereof; and,

FIG. 7 is a bottom plan view thereof.

1 Claim, 6 Drawing Sheets



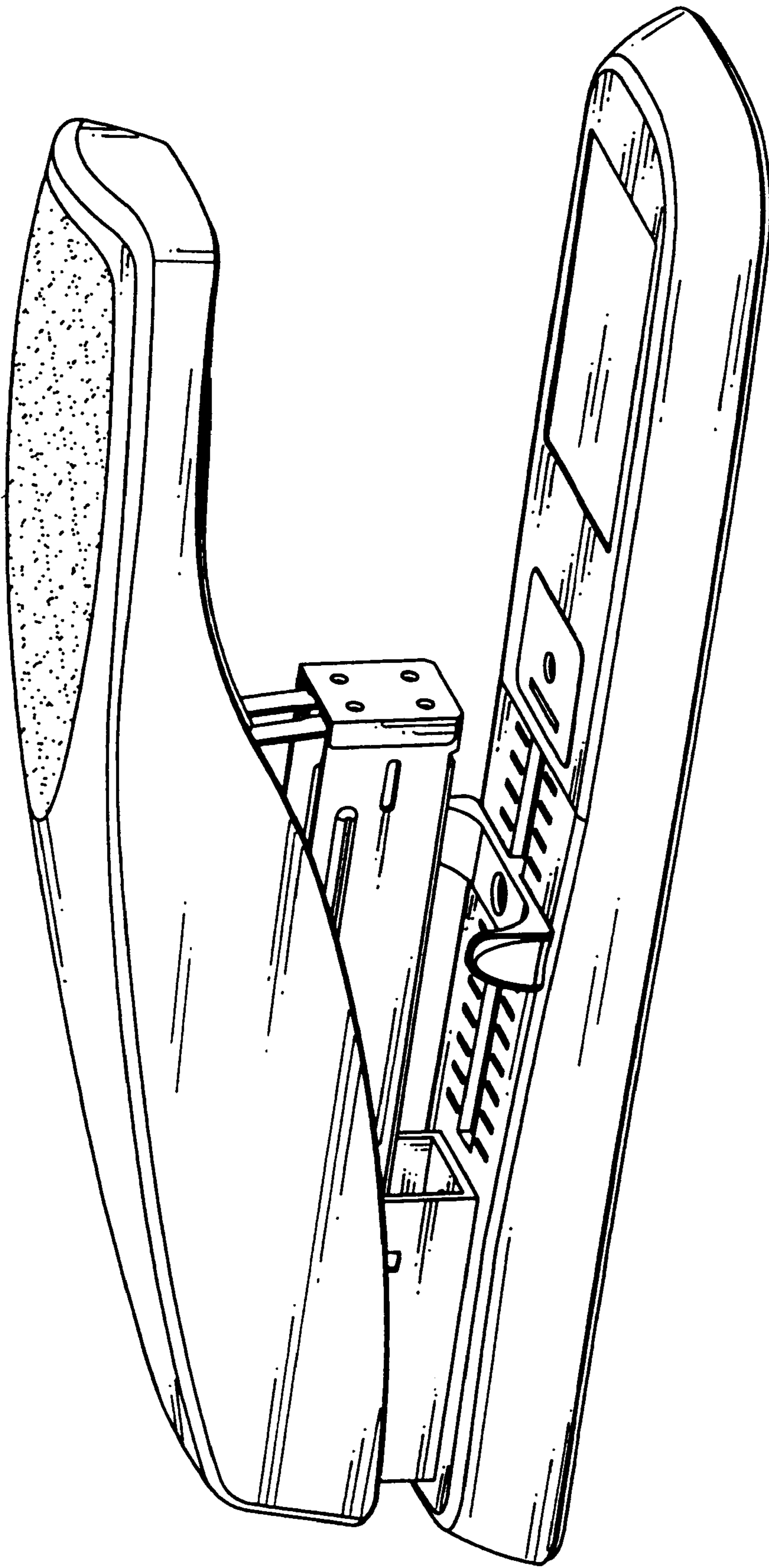


FIG.1

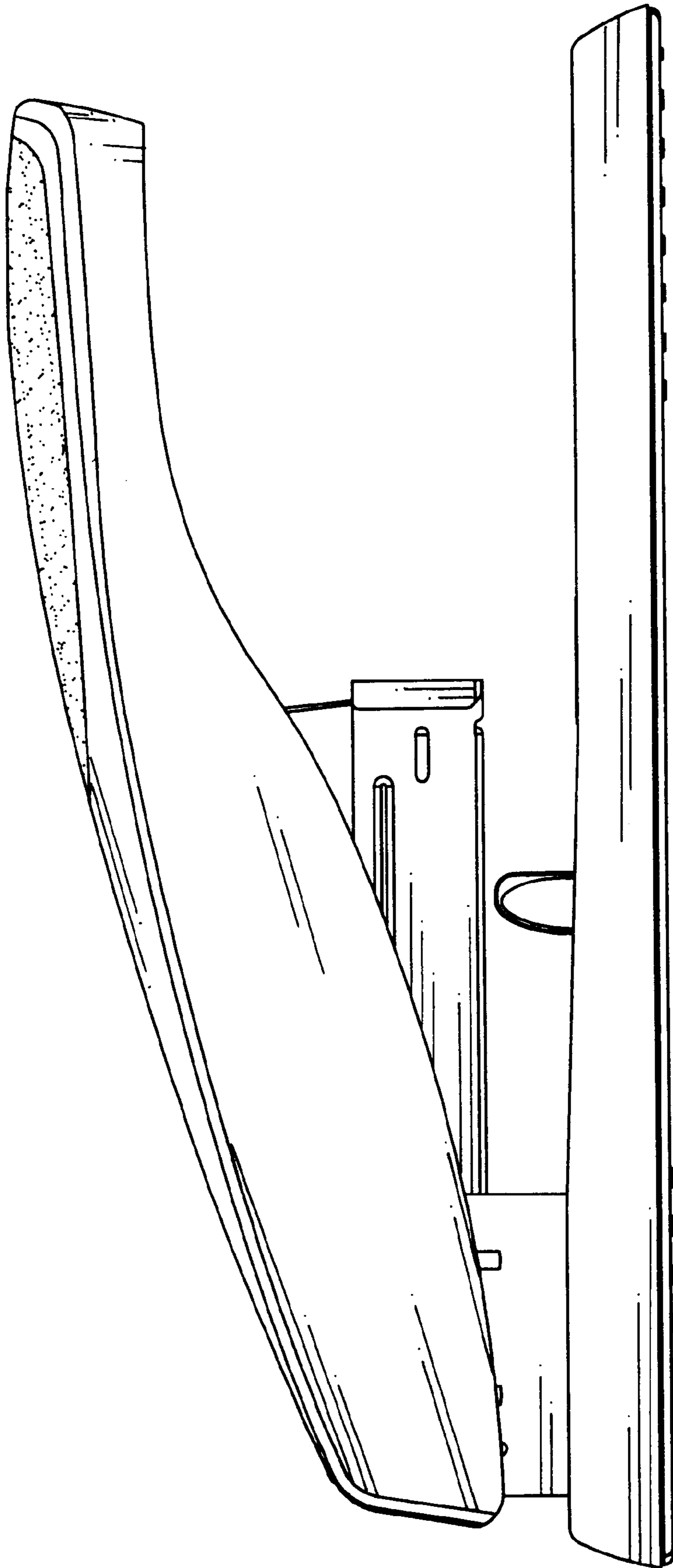


FIG.2

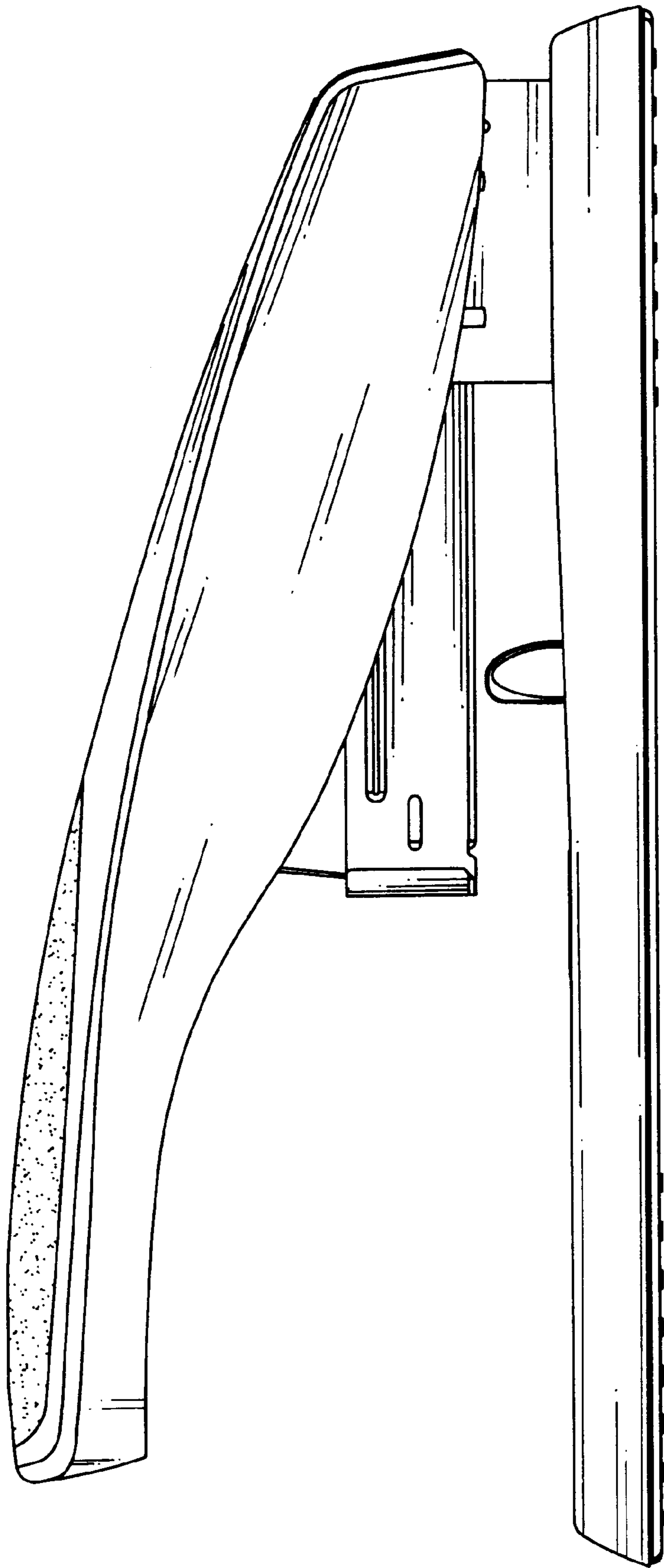


FIG. 3

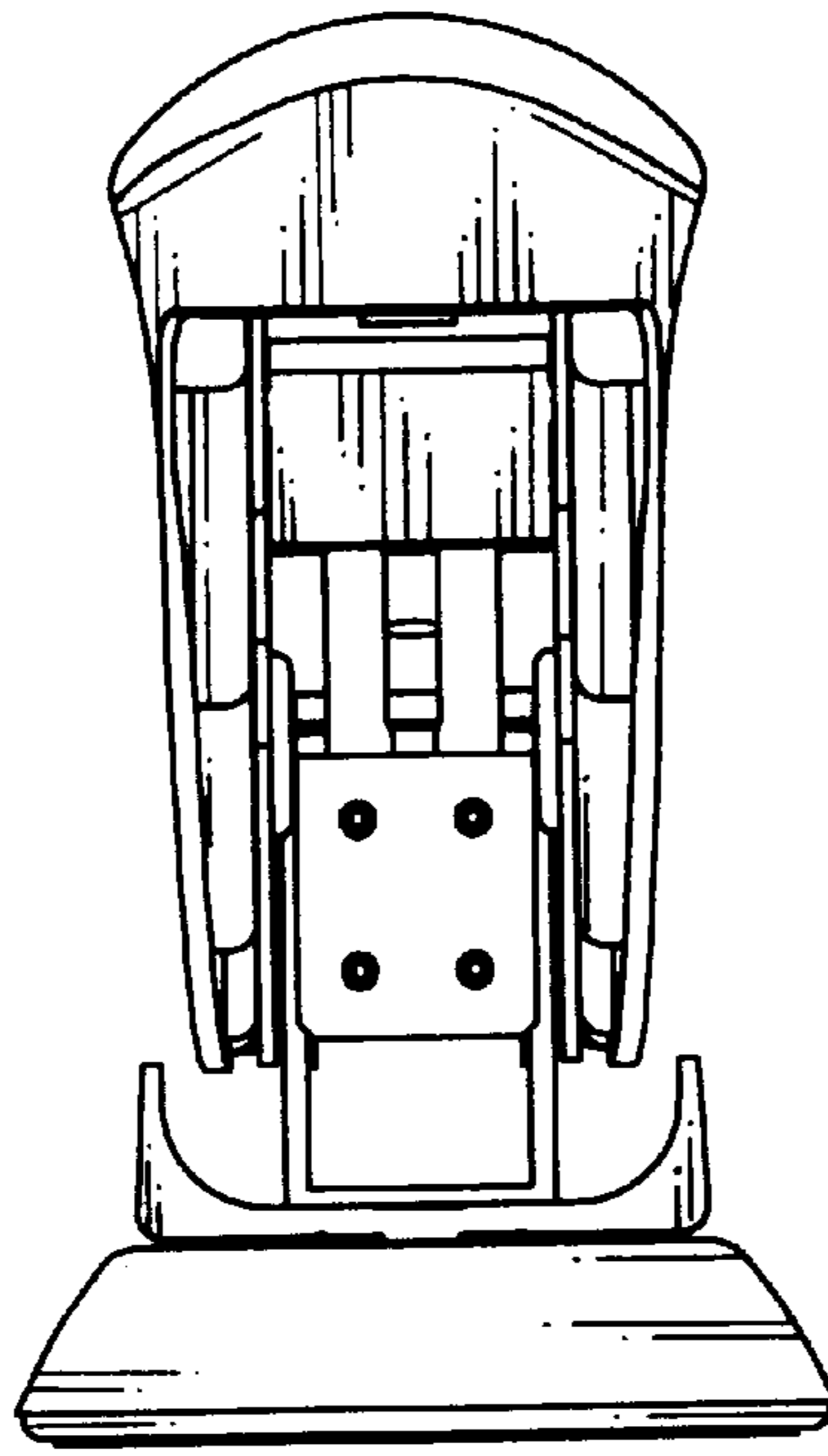


FIG. 4

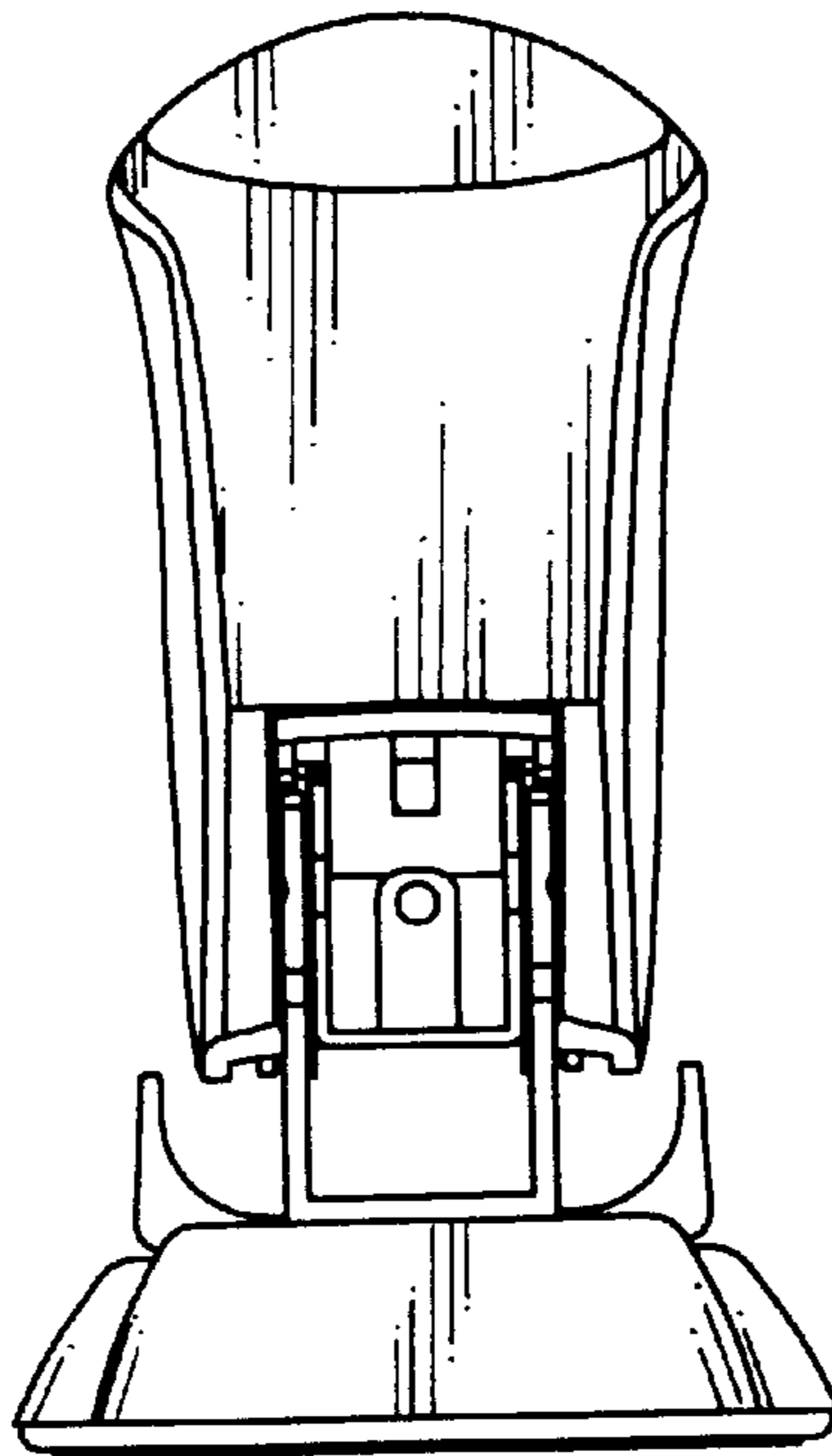


FIG. 5

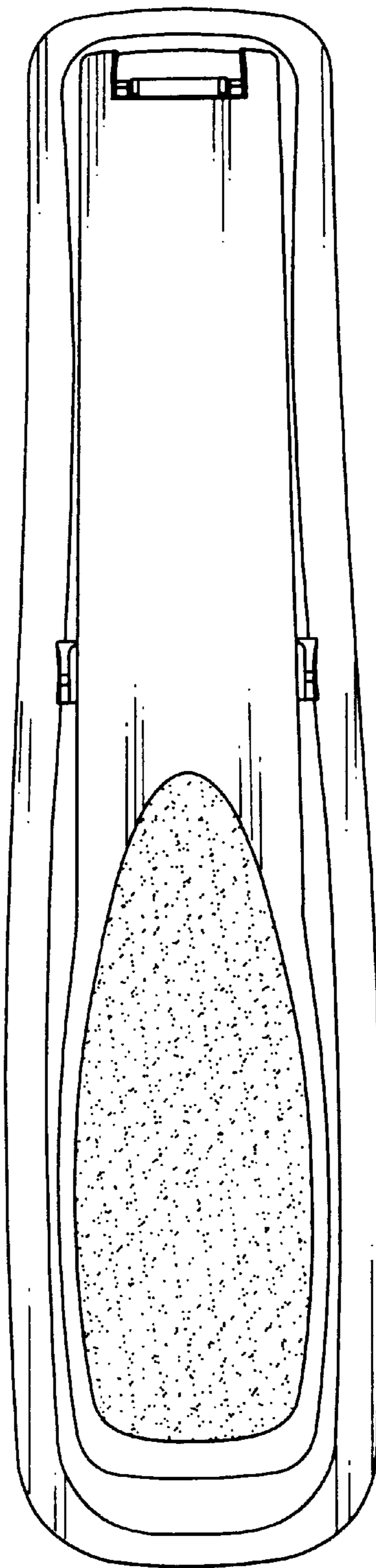


FIG. 6

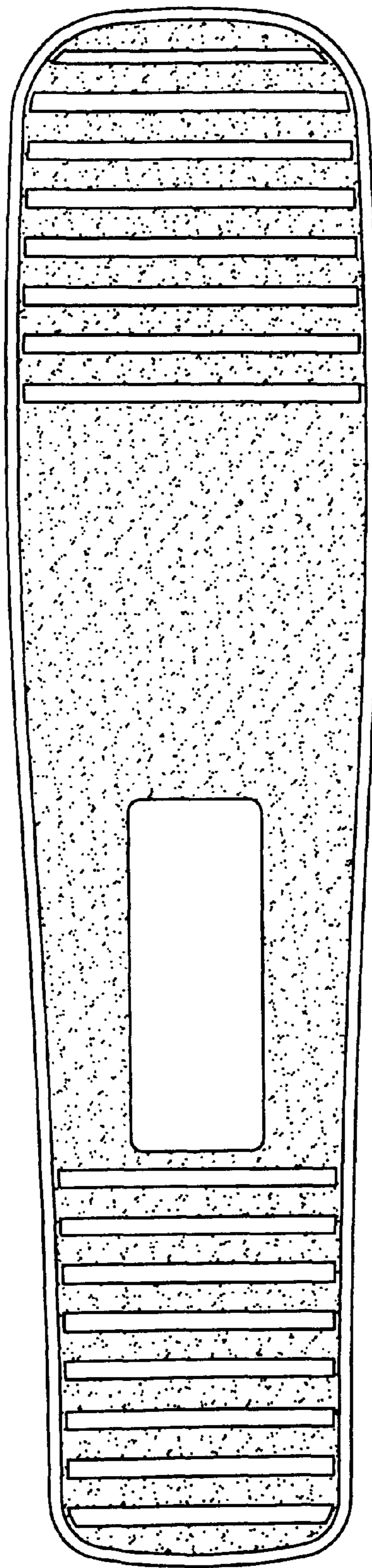


FIG. 7