



US00D487001S

(12) **United States Design Patent**
Sarihan

(10) **Patent No.:** **US D487,001 S**

(45) **Date of Patent:** **** Feb. 24, 2004**

(54) **SANDWICH DECRUSTER**

(76) Inventor: **Alper Sarihan**, 67 Bexley Ave.,
Springfield, OH (US) 45503

(**) Term: **14 Years**

(21) Appl. No.: **29/181,679**

(22) Filed: **May 14, 2003**

(51) **LOC (7) Cl.** **07-04**

(52) **U.S. Cl.** **D7/673**

(58) **Field of Search** D7/672-674, 693;
30/114, 303; 83/467.1, 468.7, 762, 932;
269/288

(56) **References Cited**

U.S. PATENT DOCUMENTS

D132,314 S *	5/1942	Melville	D7/672
2,502,157 A	3/1950	Klejna	30/303
2,925,110 A	2/1960	Bayers	146/150
3,319,682 A	5/1967	Hall	146/150
4,245,973 A *	1/1981	Greaney	D7/672
D290,570 S *	6/1987	Virk	D7/672
D441,260 S	5/2001	Holcomb	D7/673

OTHER PUBLICATIONS

U.S. patent application Ser. No. 29/177,821, Sarihan, filed
Mar. 17, 2003.

U.S. patent application Ser. No. 29/177,822, Sarihan, filed
Mar. 17, 2003.

* cited by examiner

Primary Examiner—Terry A. Wallace

(74) *Attorney, Agent, or Firm*—Standley Law Group LLP

(57) **CLAIM**

The ornamental design for a sandwich decruster, as shown
and described.

DESCRIPTION

FIG. 1 is a top perspective view of the sandwich decruster
of the present invention;

FIG. 2 is a bottom perspective view thereof;

FIG. 3 is a side elevational view thereof;

FIG. 4 is a top plan view thereof;

FIG. 5 is a bottom plan view thereof;

FIG. 6 is a top perspective view of an alternate embodiment
of FIG. 1;

FIG. 7 is a bottom perspective view of FIG. 6;

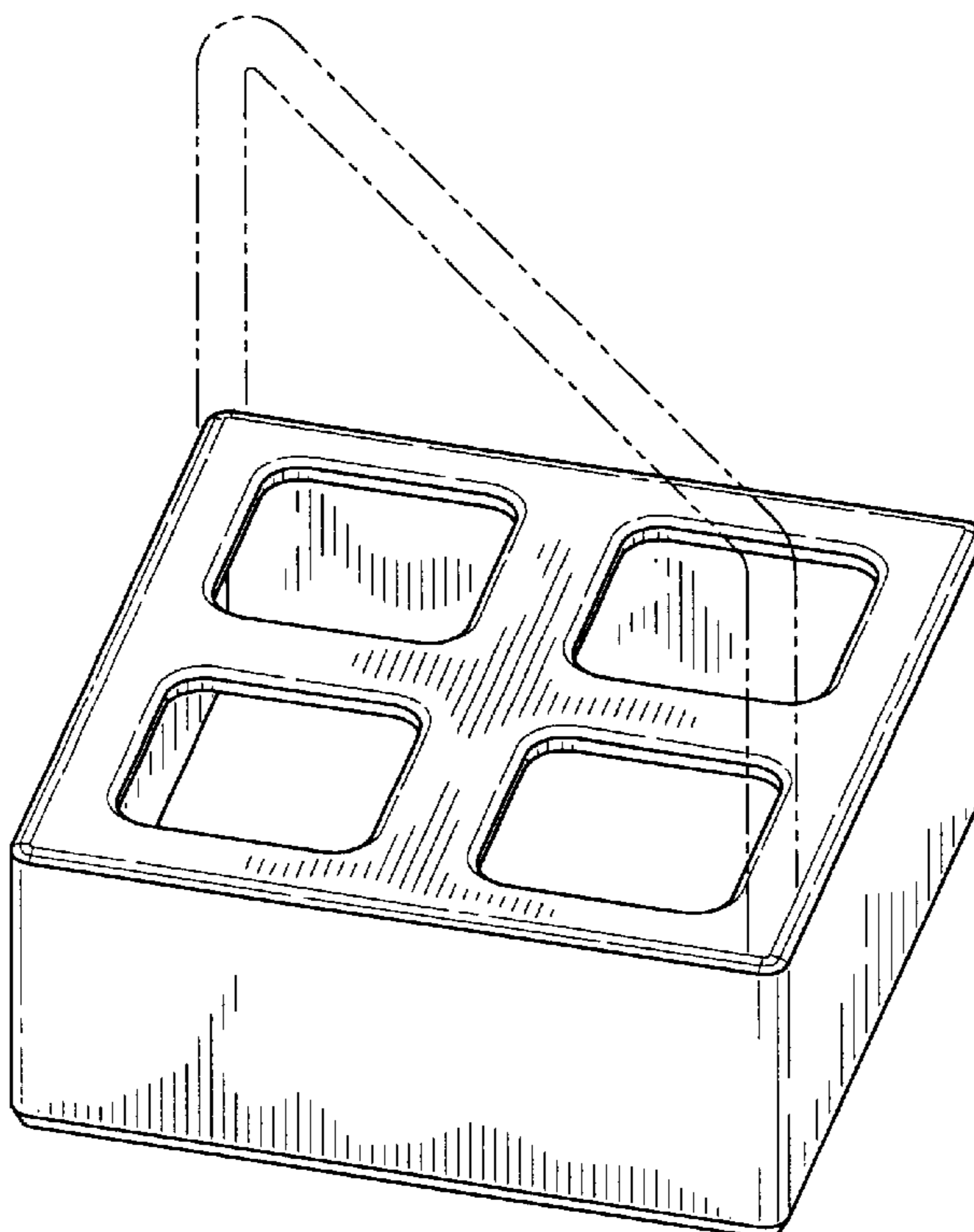
FIG. 8 is a side elevational view of FIG. 6 ;

FIG. 9 is a top plan view thereof; and,

FIG. 10 is a bottom plan view thereof.

The broken lines are for illustrative purposes only and form
no part of the claimed design.

1 Claim, 4 Drawing Sheets



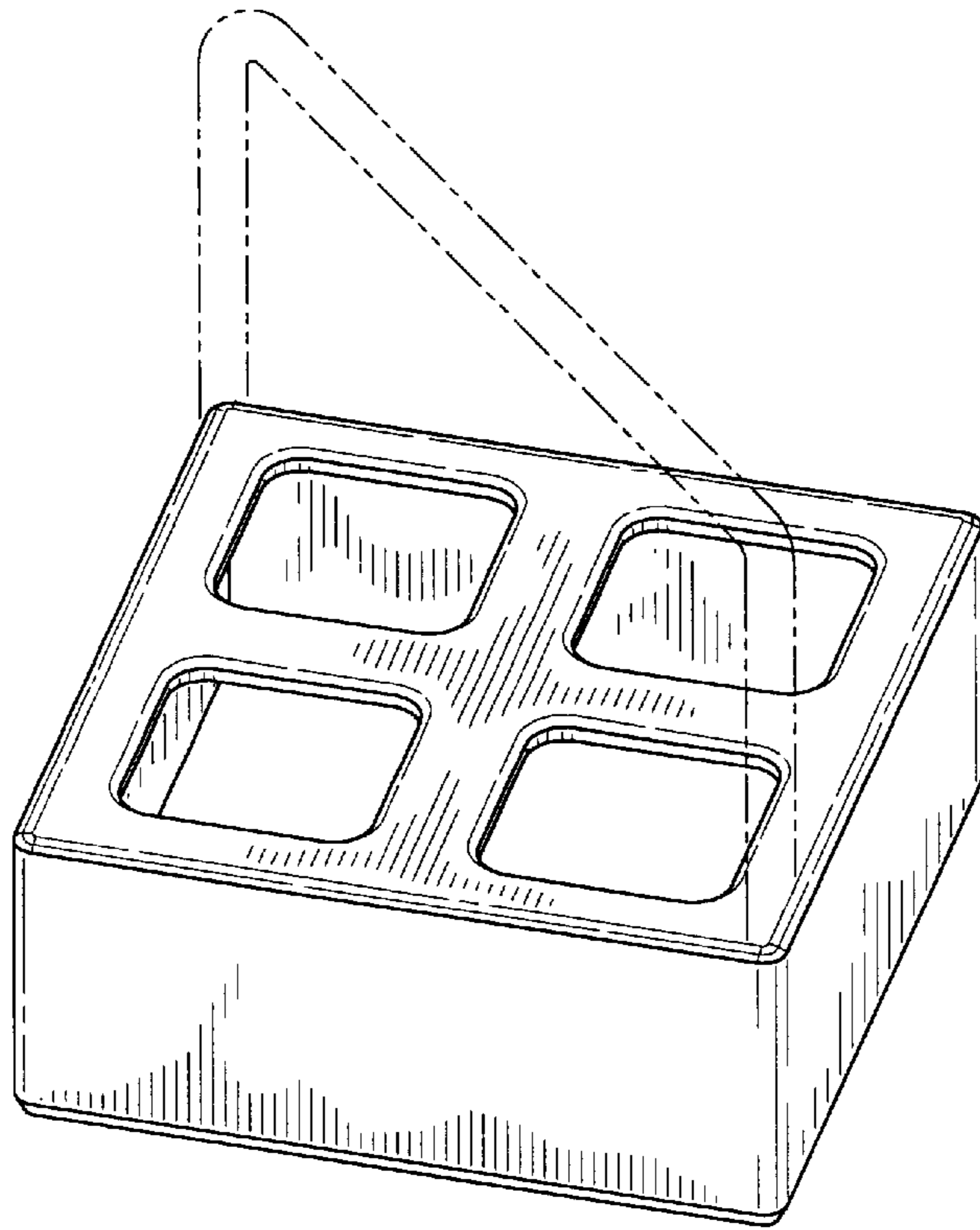


FIG-1

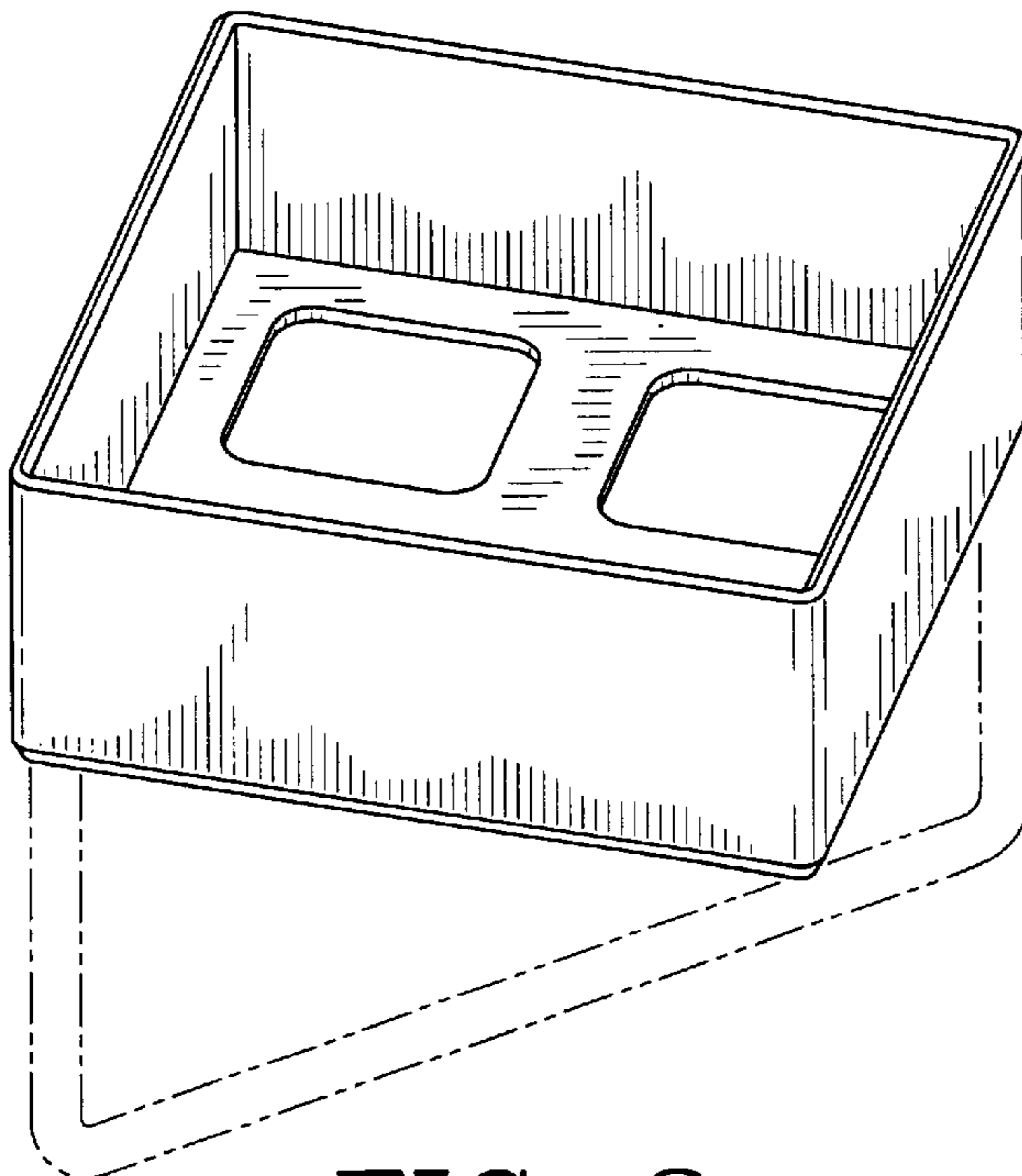


FIG-2

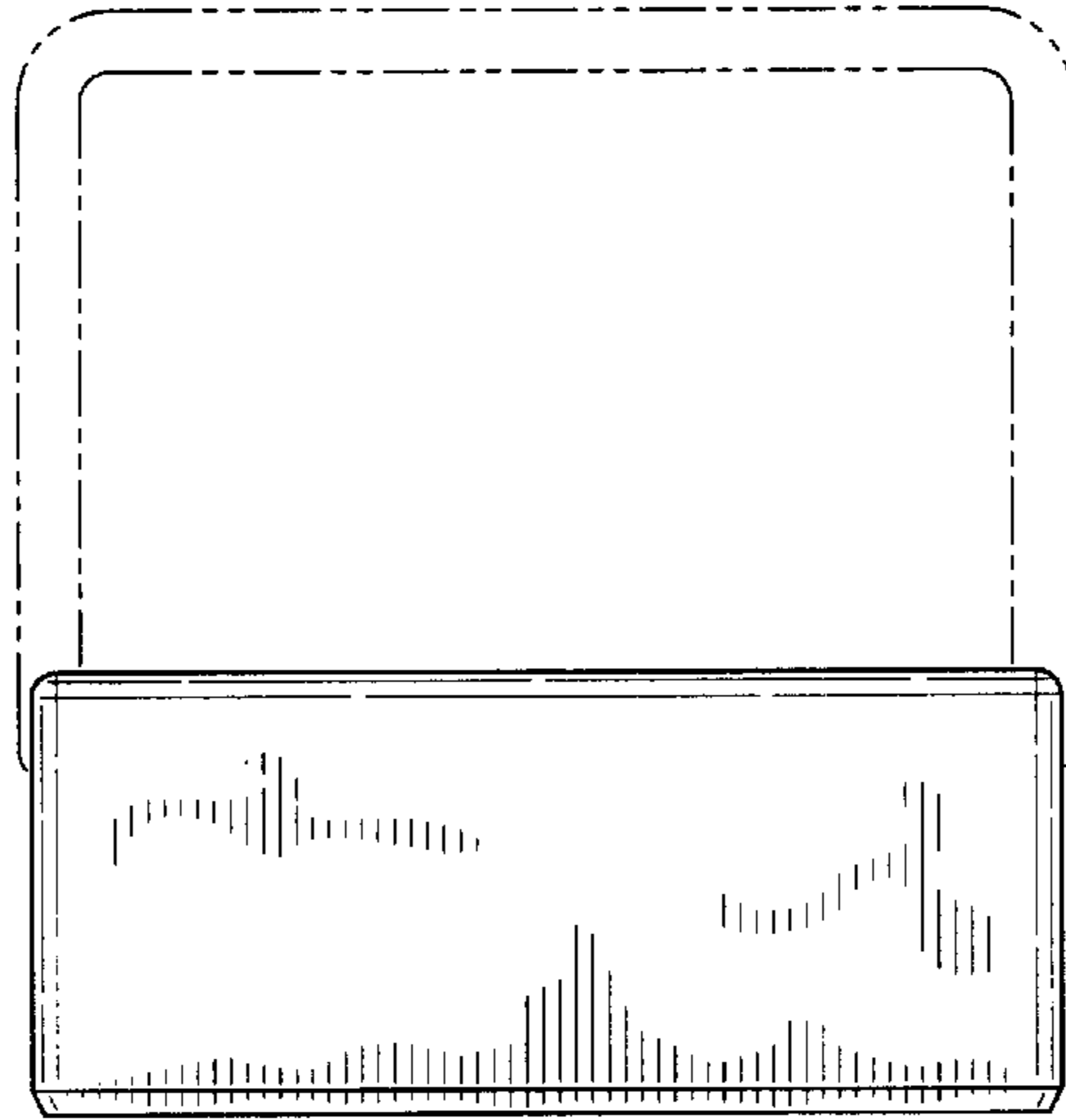


FIG-3

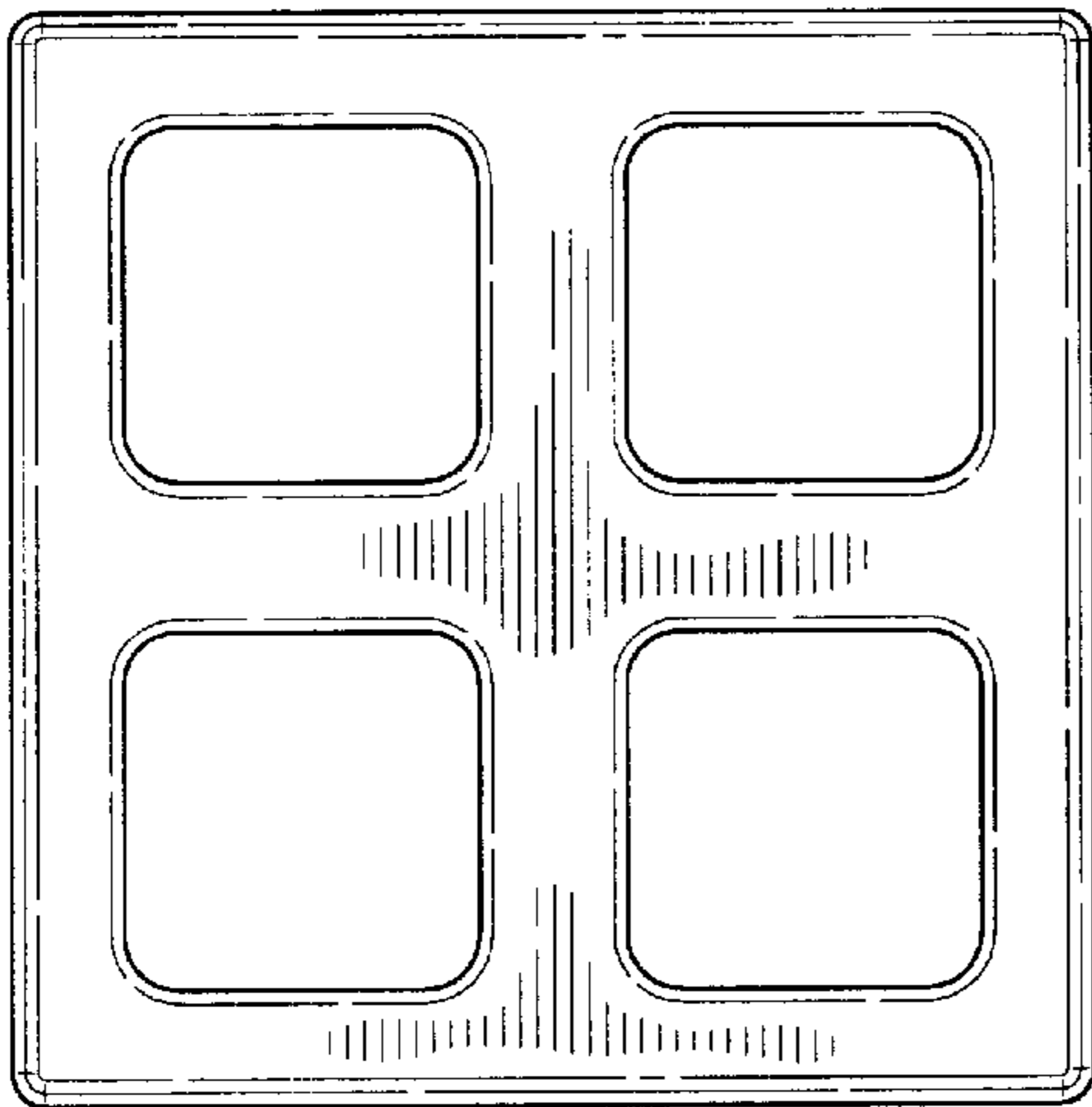


FIG-4

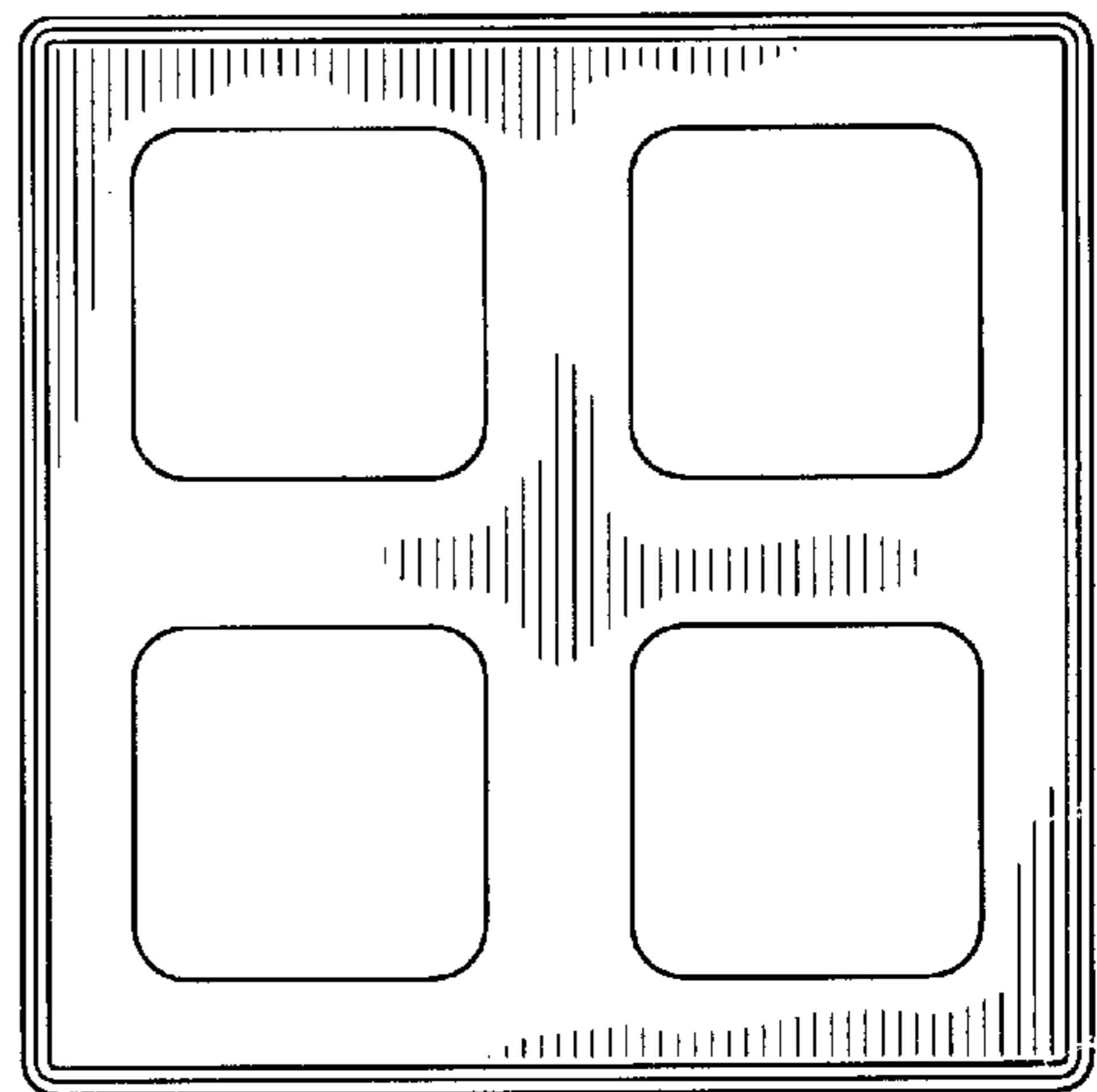


FIG-5

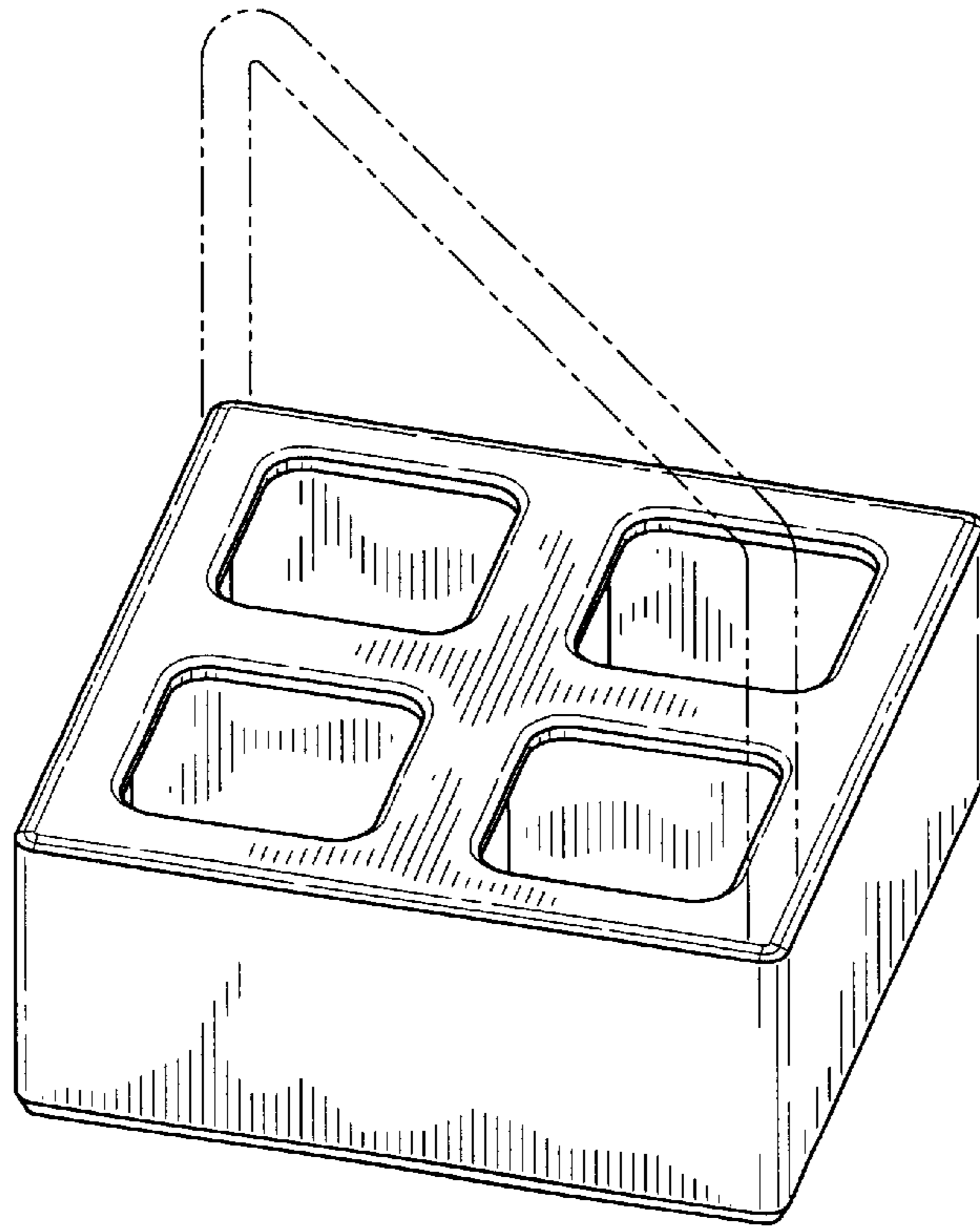


FIG-6

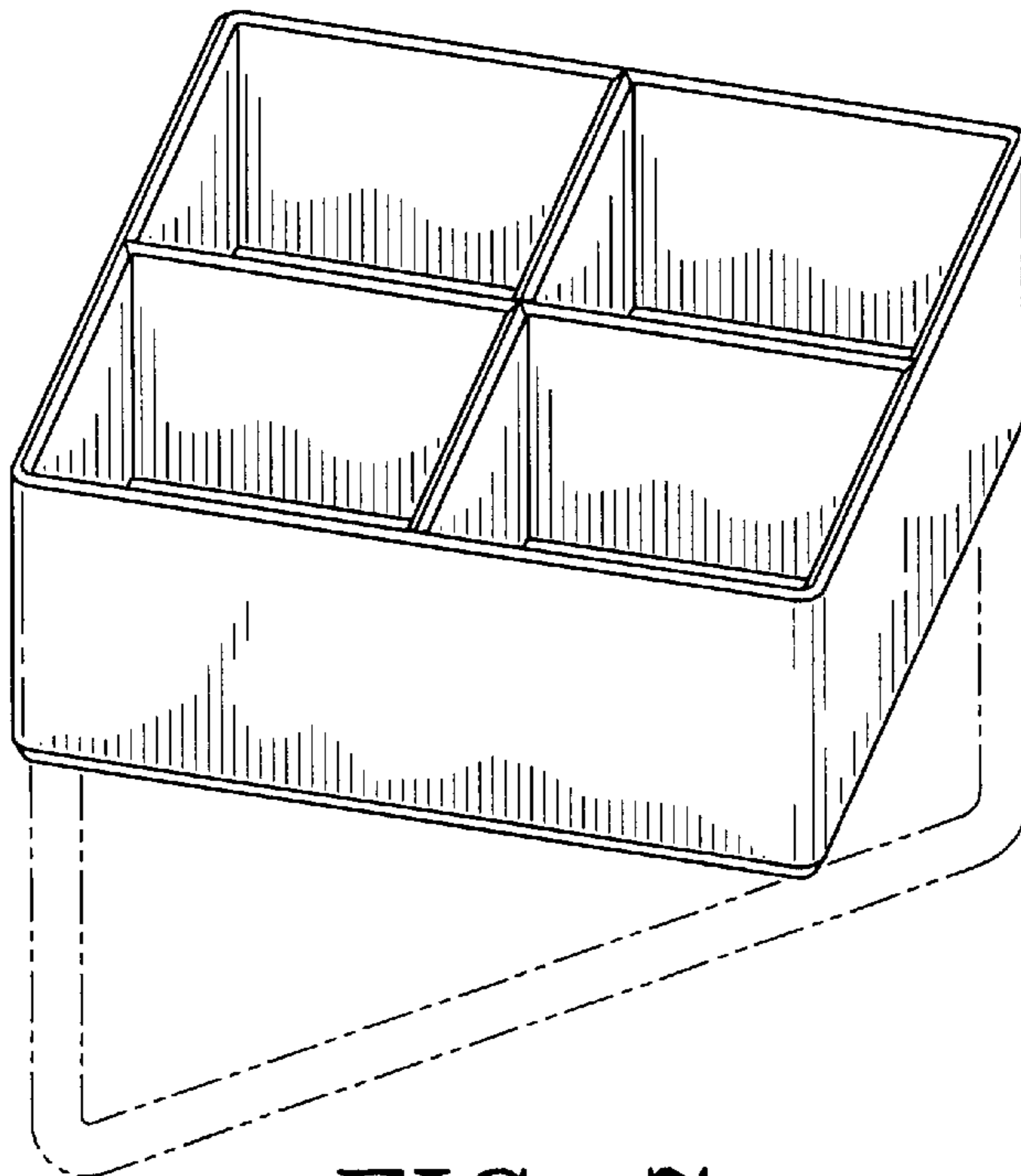


FIG-7

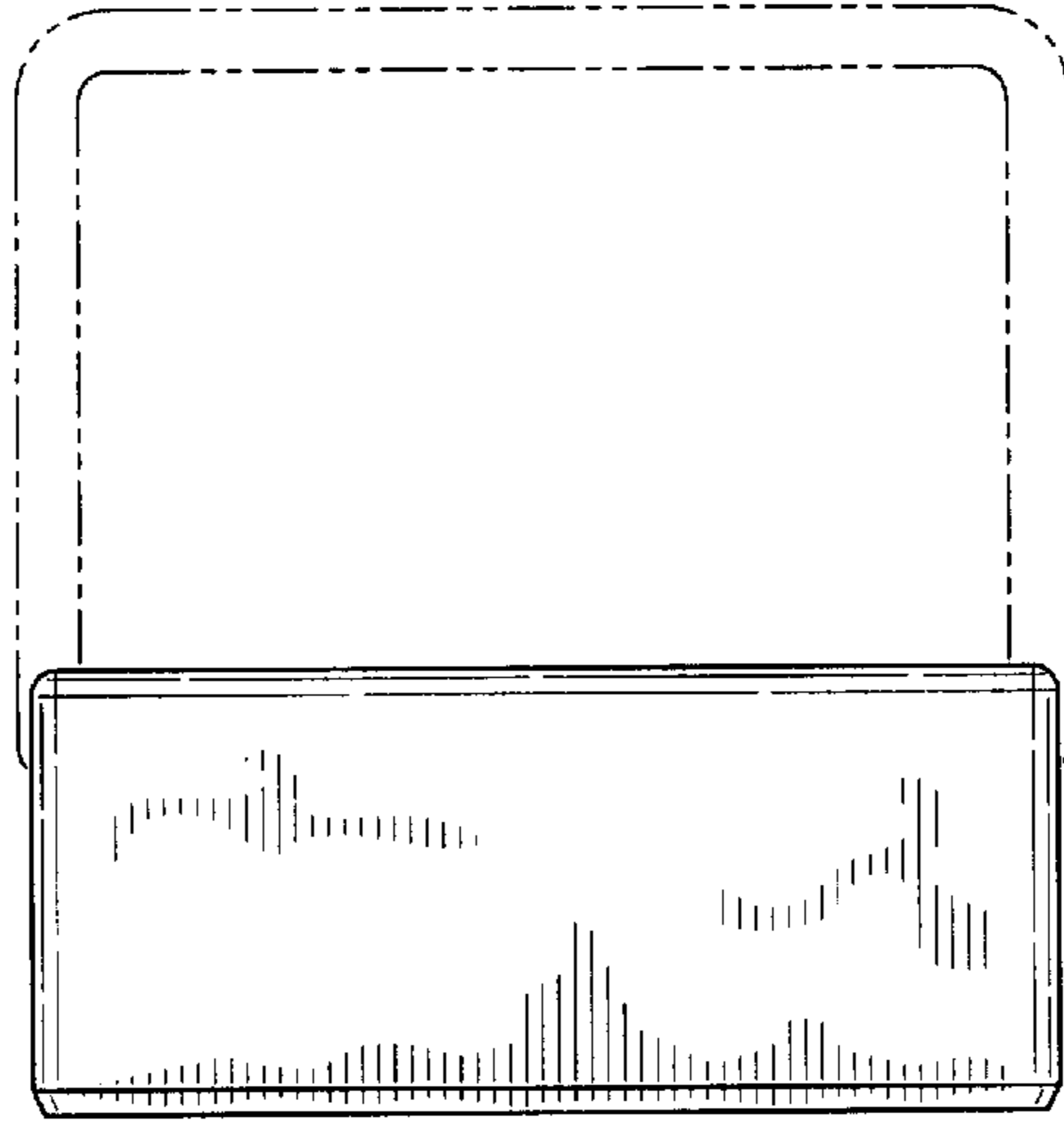


FIG-8

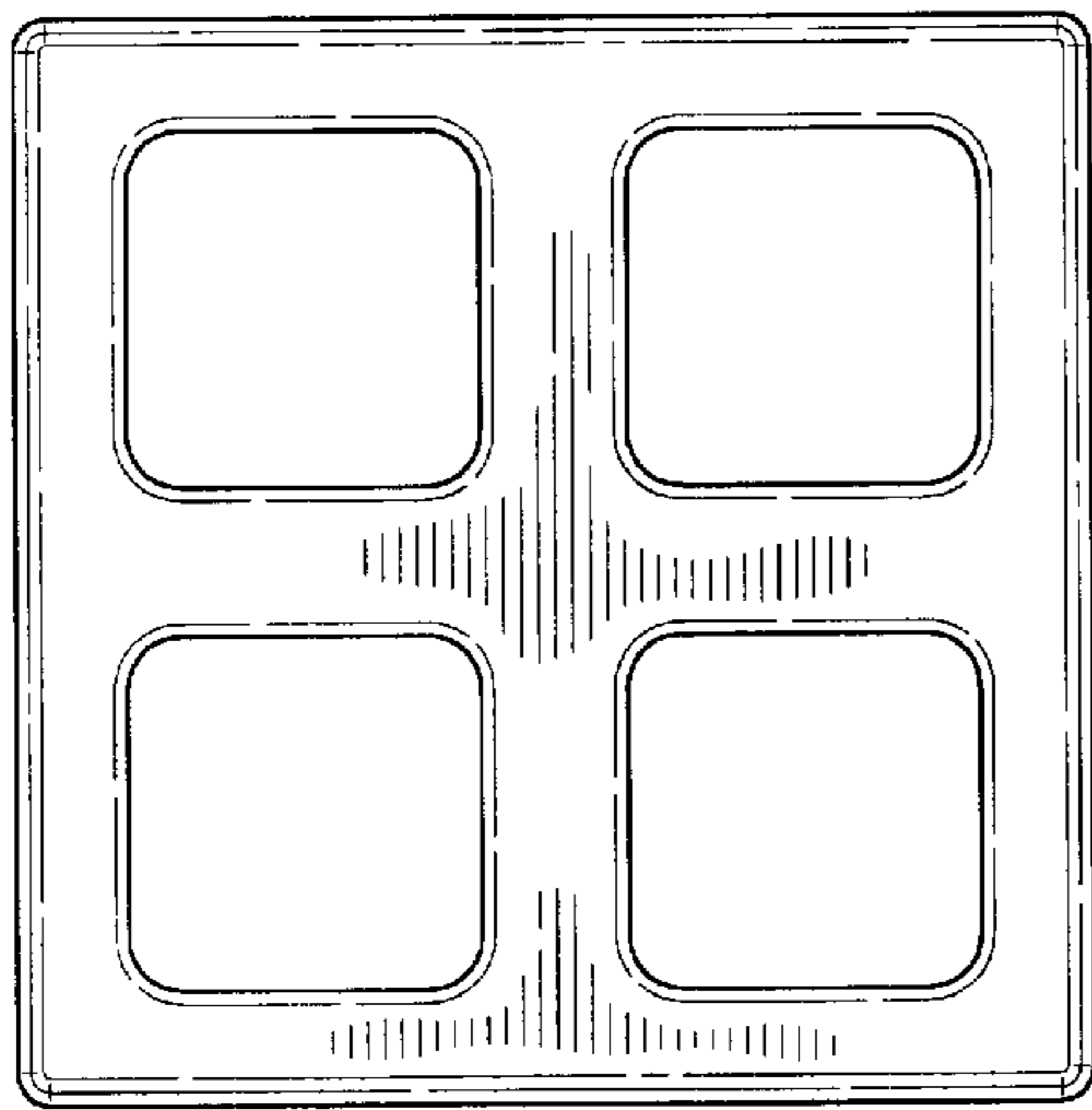


FIG-9

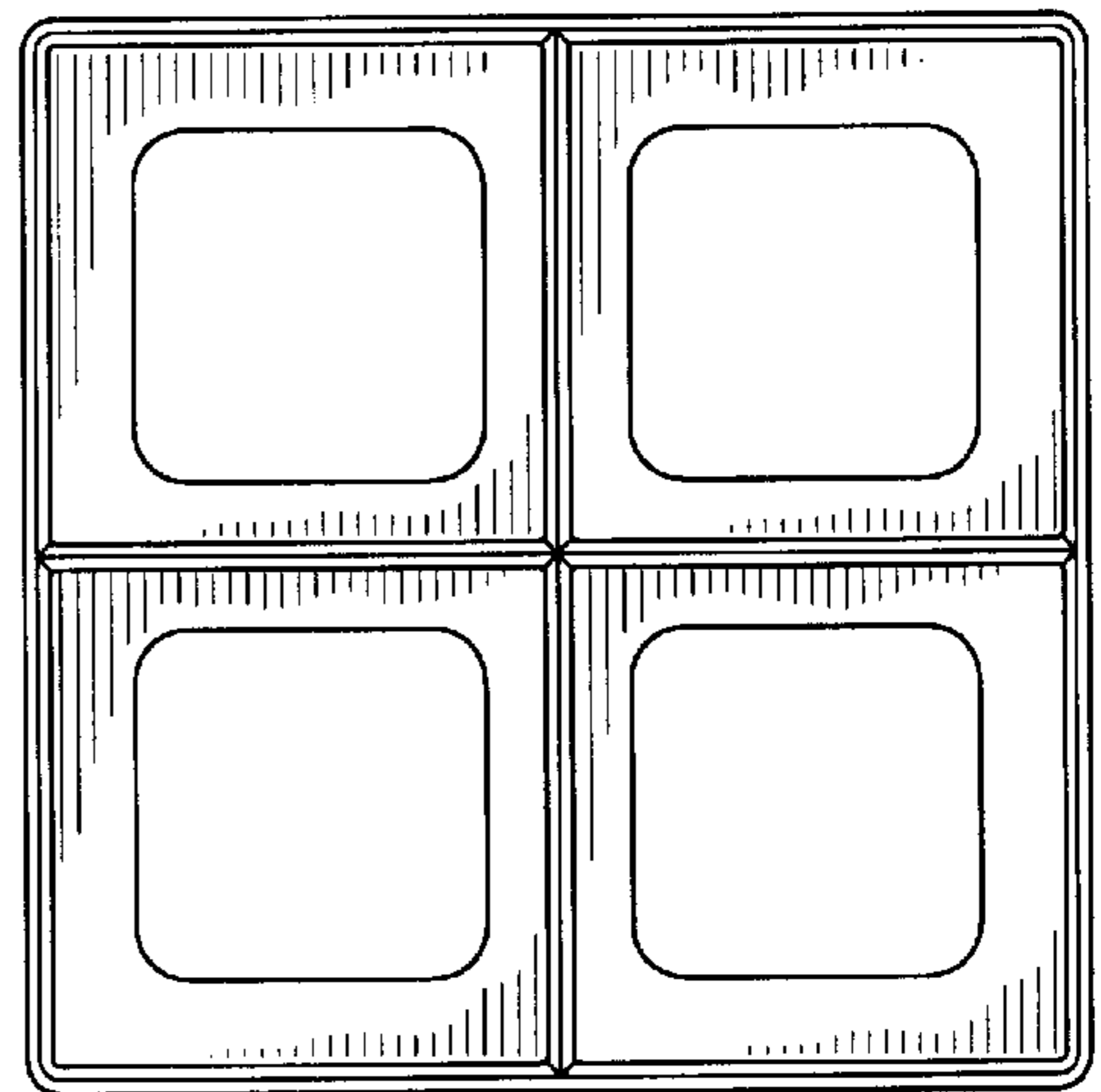


FIG-10