



US00D486991S

(12) **United States Design Patent**
Lee

(10) **Patent No.:** **US D486,991 S**

(45) **Date of Patent:** **** Feb. 24, 2004**

(54) **COOKING POT**

(76) Inventor: **Ming-Hsiung Lee**, No. 15, Lane 808,
Chung-Shan Rd., Hsin-hua chen, Tainan
Hsien (TW)

(**) Term: **14 Years**

(21) Appl. No.: **29/182,679**

(22) Filed: **May 29, 2003**

(51) **LOC (7) Cl.** **07-01**

(52) **U.S. Cl.** **D7/357**

(58) **Field of Search** D7/354-357, 361,
D7/573.1-574, 500, 553

(56) **References Cited**

U.S. PATENT DOCUMENTS

D176,097 S * 11/1955 Bonistall D7/501

D444,676 S * 7/2001 Murphy D7/553.6

* cited by examiner

Primary Examiner—Lisa Lichtenstein

(74) *Attorney, Agent, or Firm*—Marger Johnson &
McCullom, PC

(57) **CLAIM**

The ornamental design for a cooking pot, as shown and
described.

DESCRIPTION

FIG. 1 is a perspective view of cooking pot showing my new
design;

FIG. 2 is a front elevational view thereof;

FIG. 3 is a rear elevational view thereof;

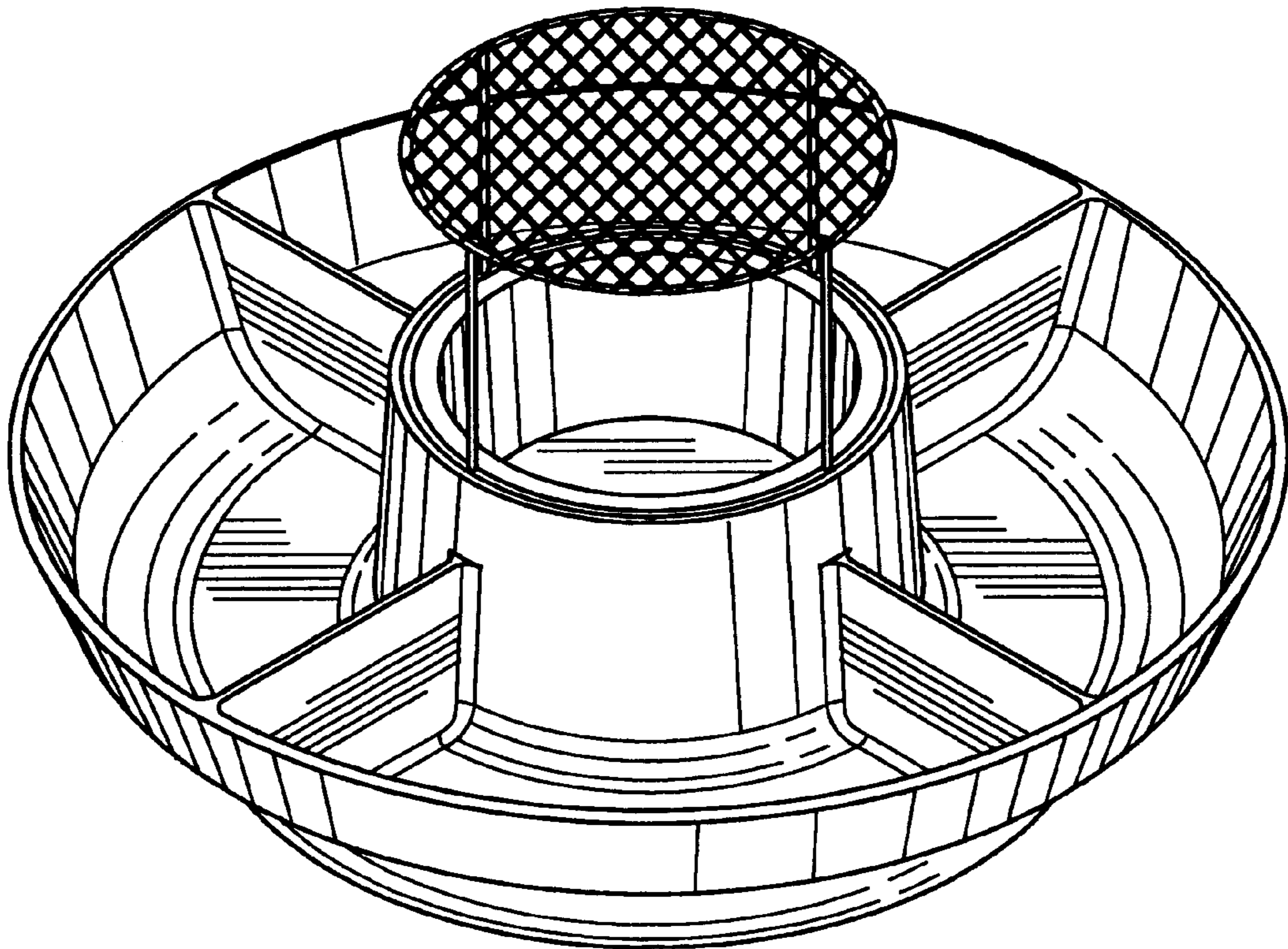
FIG. 4 is a left side elevational view thereof;

FIG. 5 is a right side elevational view thereof;

FIG. 6 is a top plan view thereof; and,

FIG. 7 is a bottom plan view thereof.

1 Claim, 4 Drawing Sheets



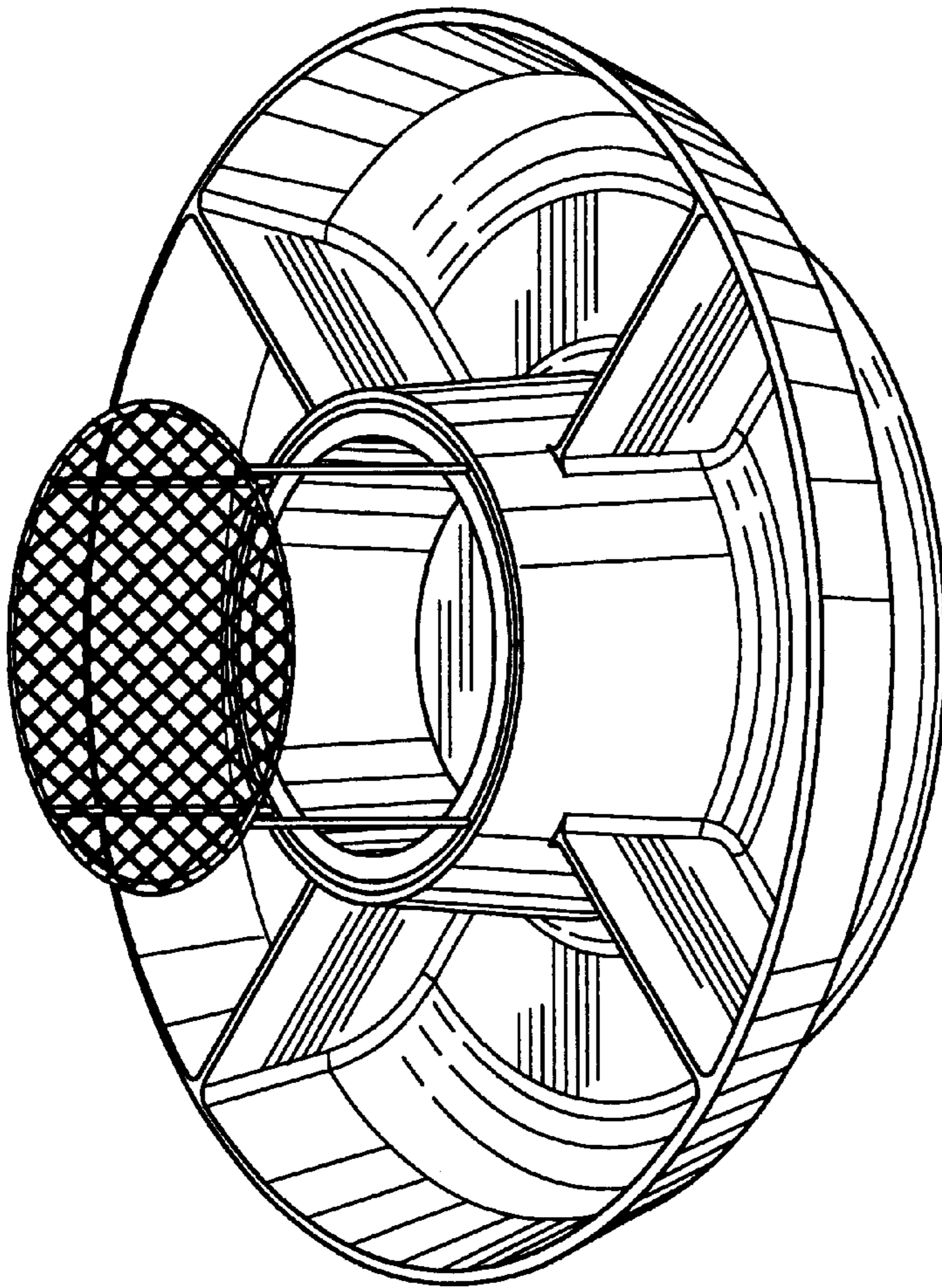


FIG. 1

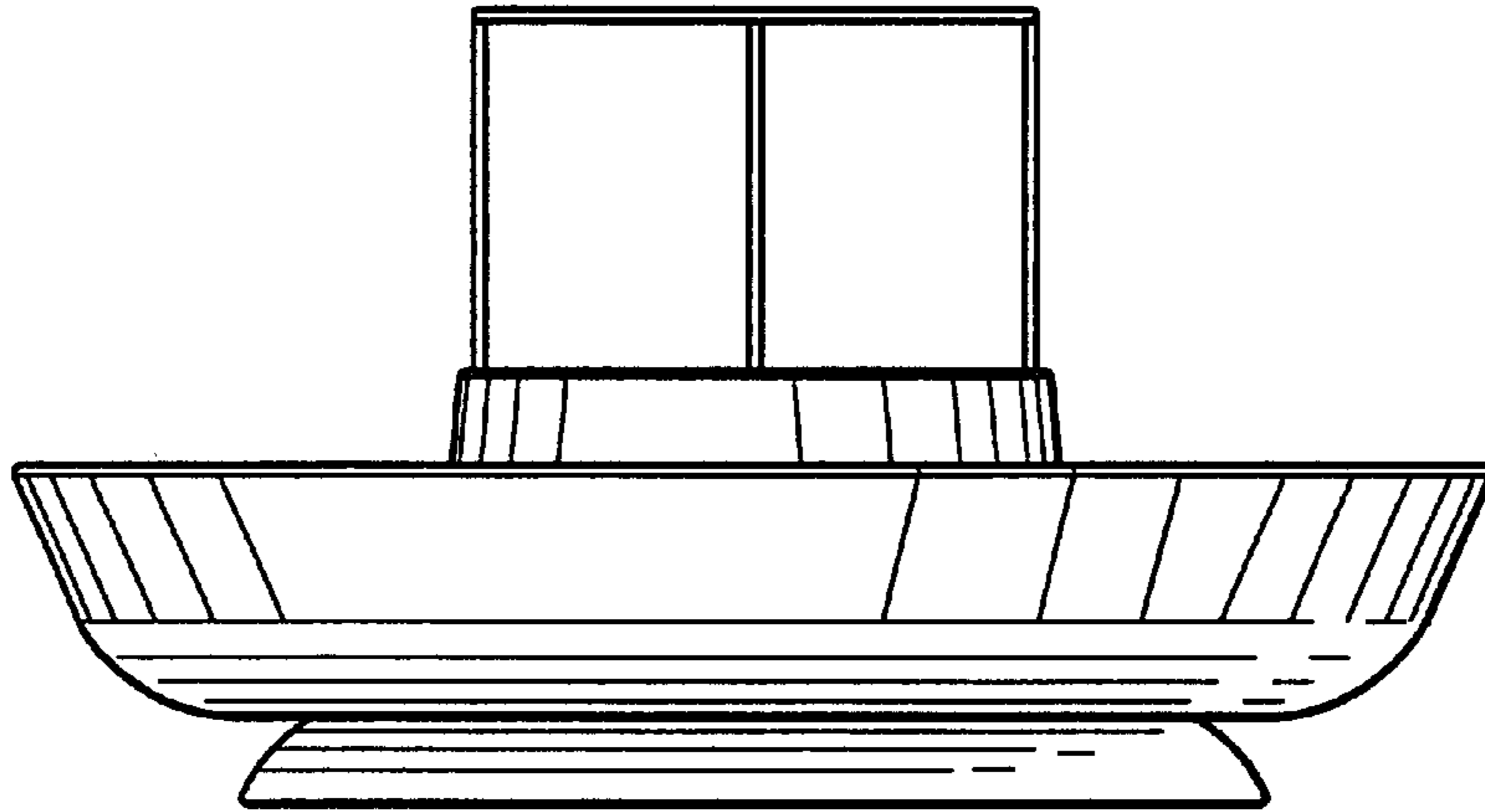


FIG. 2

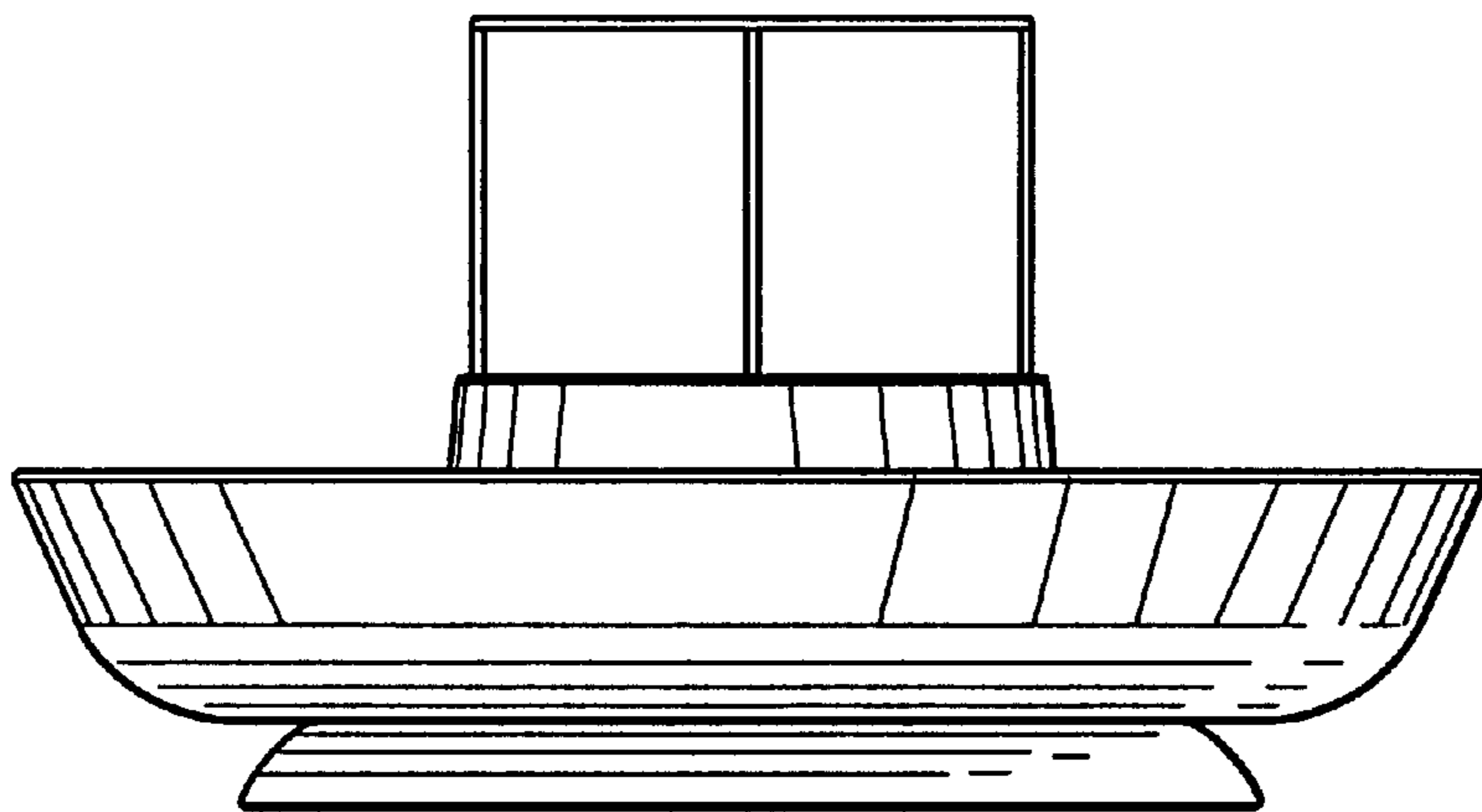


FIG. 3

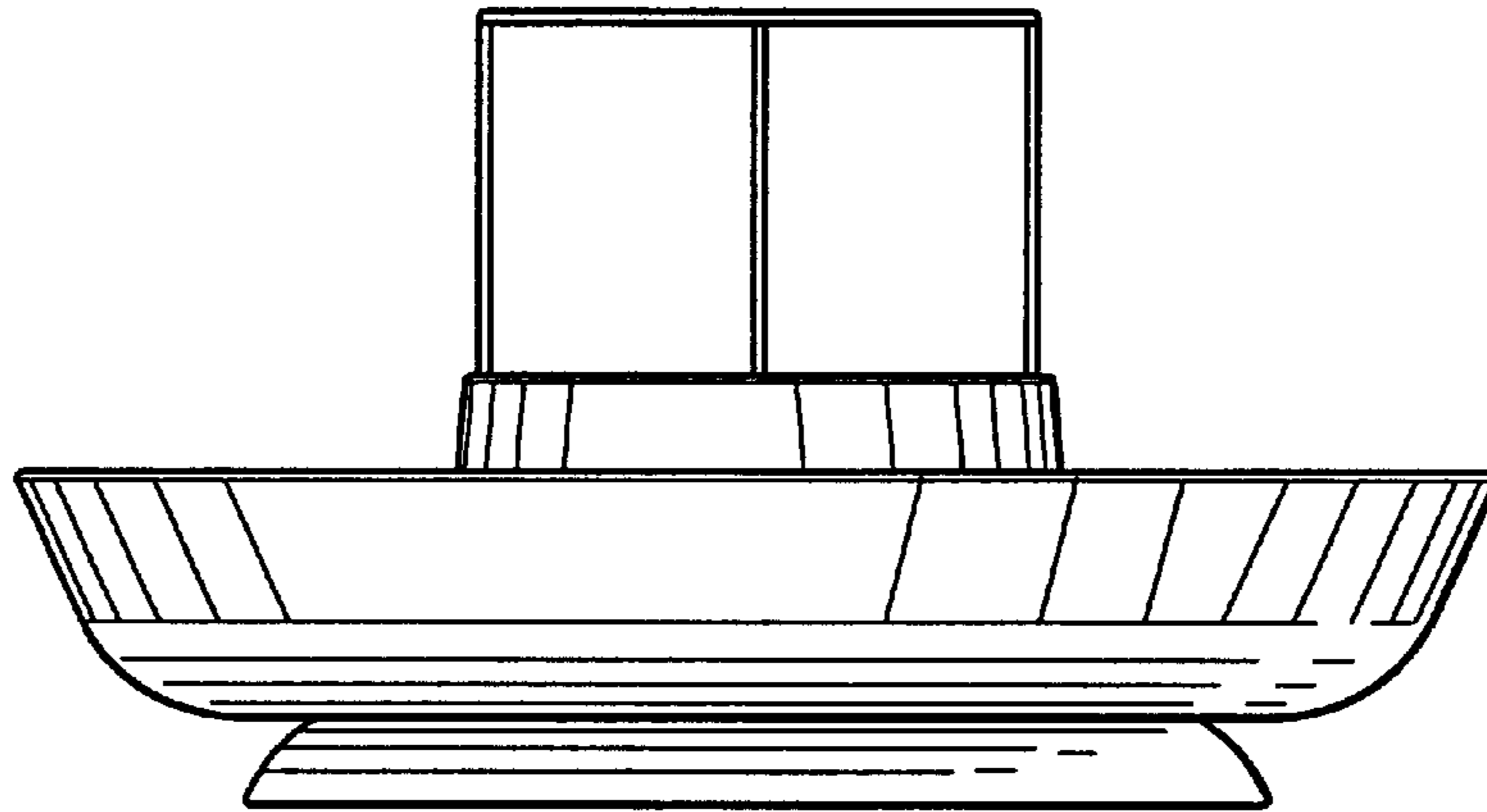


FIG. 4

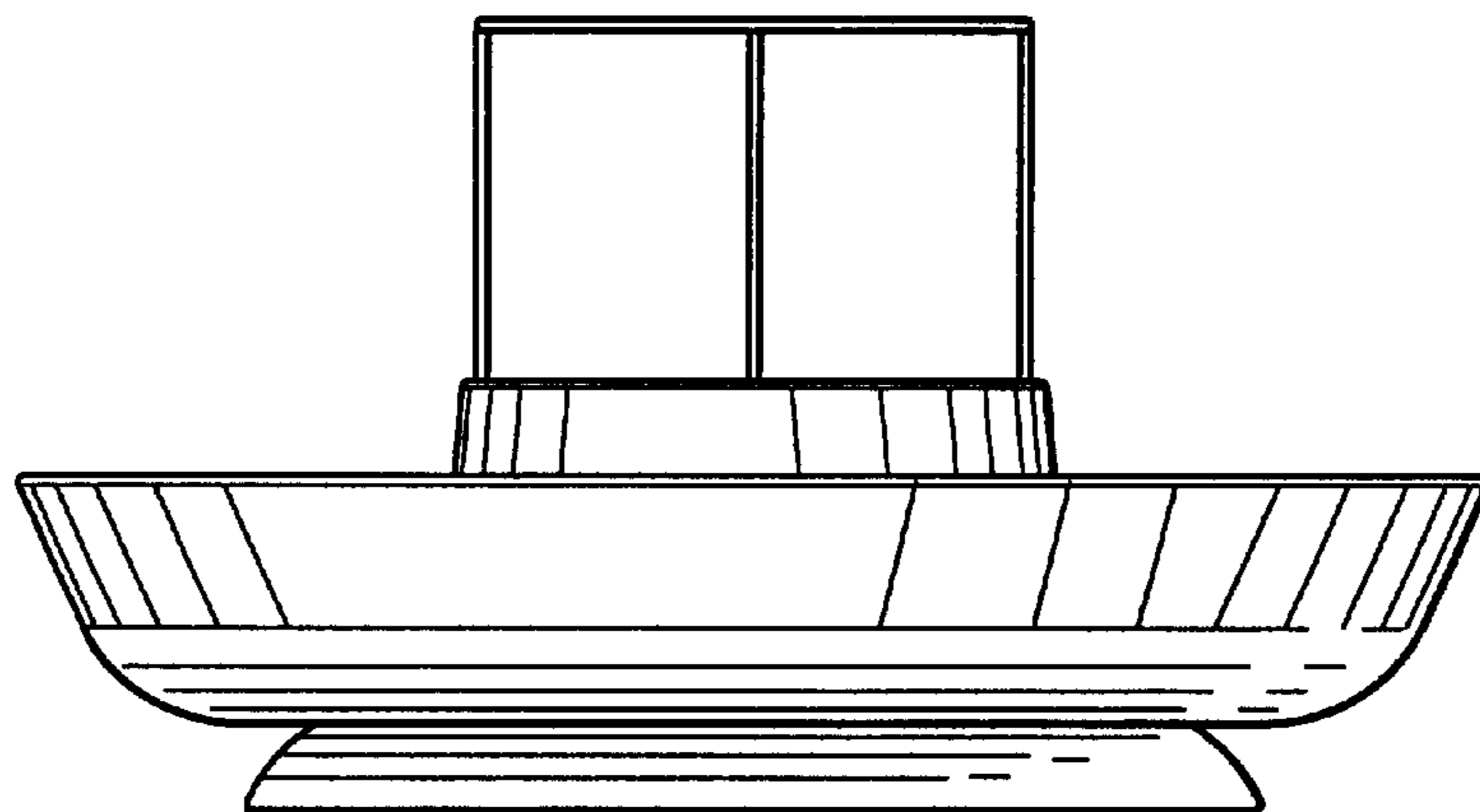


FIG. 5

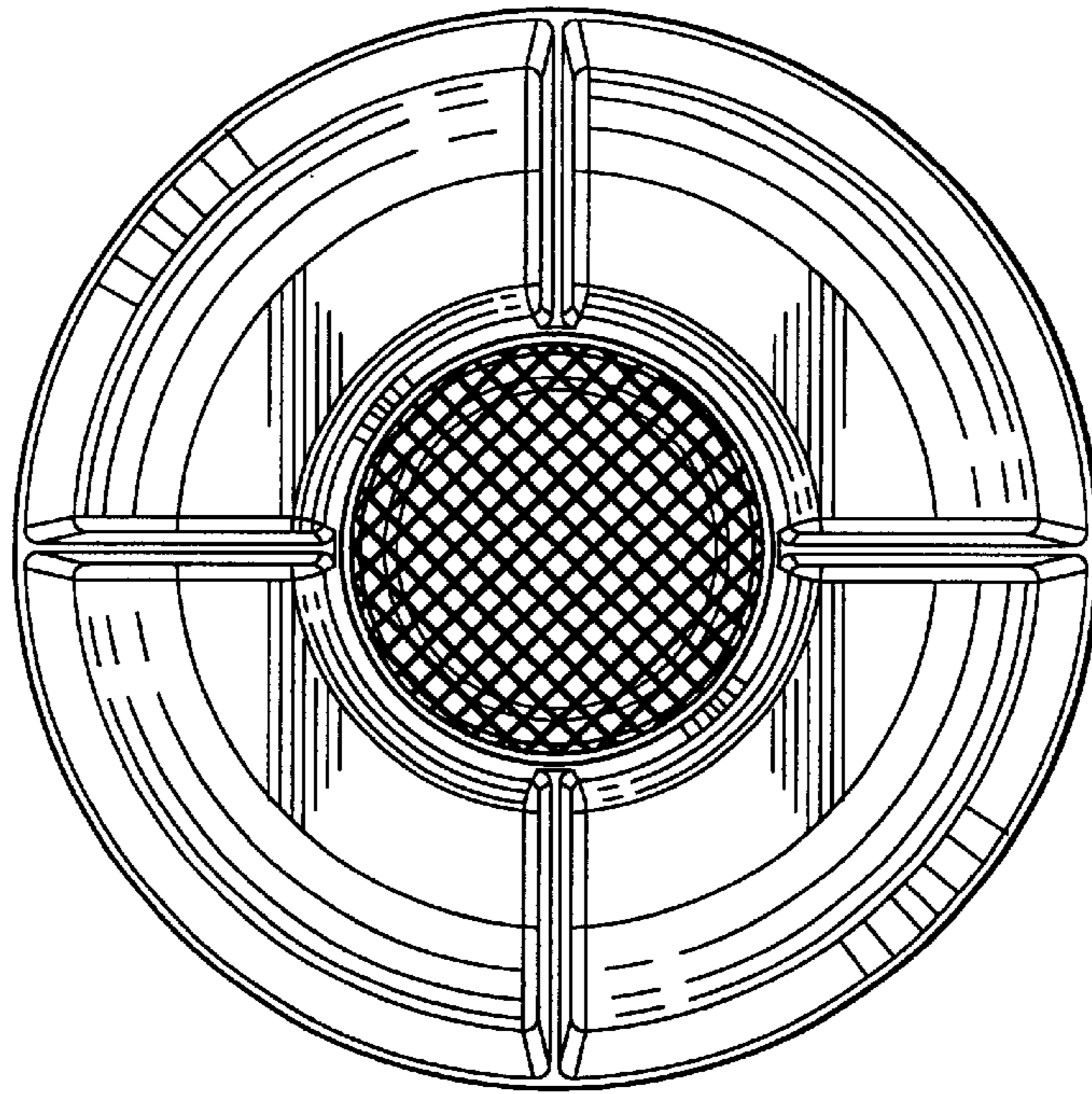


FIG. 6

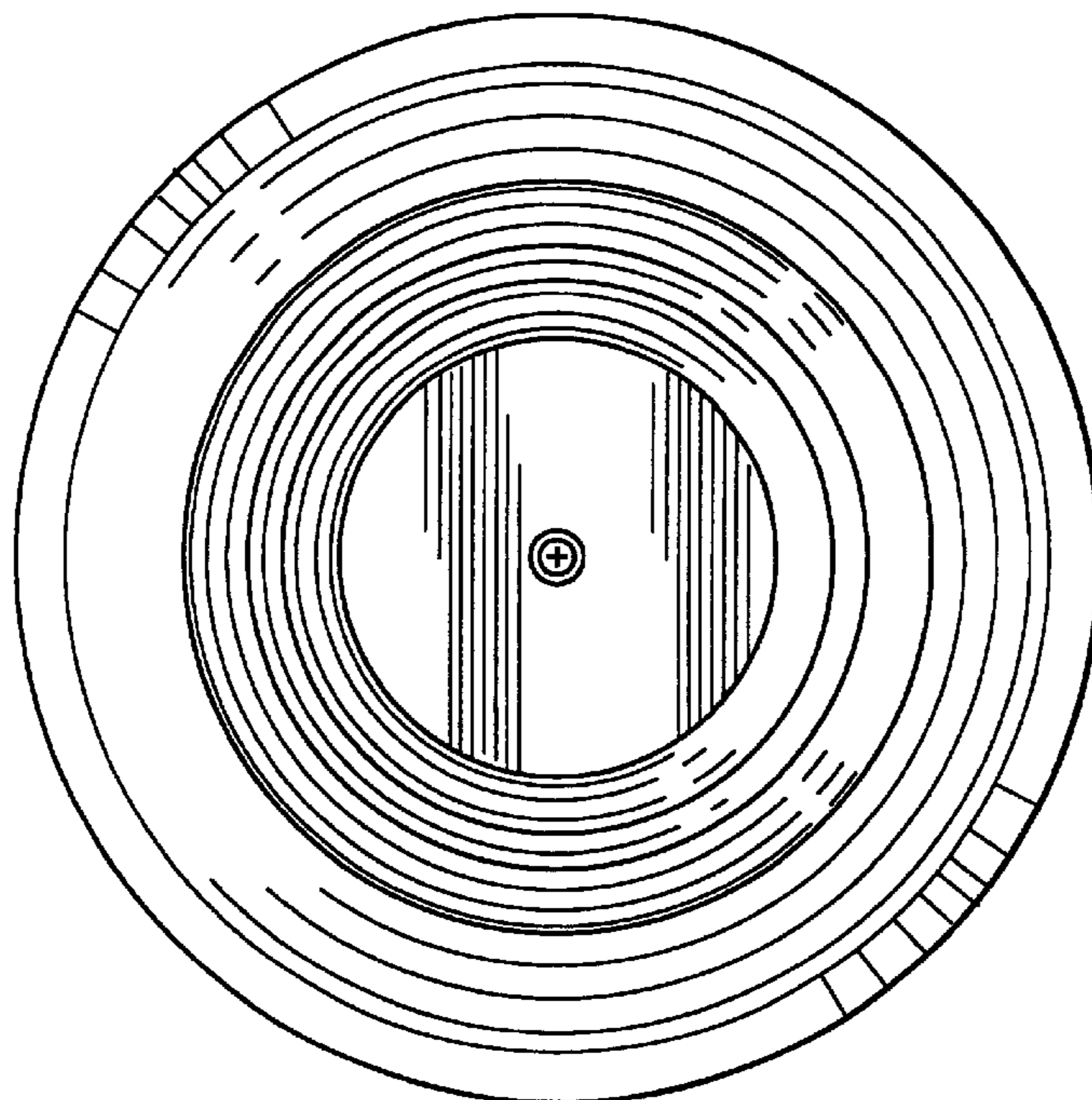


FIG. 7