



US00D486990S

(12) **United States Design Patent**  
**Rizley et al.**

(10) **Patent No.:** **US D486,990 S**

(45) **Date of Patent:** **\*\* Feb. 24, 2004**

(54) **BOTTLE WARMER**

(76) Inventors: **Carrie L. Rizley**, 11980 S. 4185 Rd.,  
Claremore, OK (US) 74017; **Curtis W.  
Rizley, Jr.**, 11980 S. 4185 Rd.,  
Claremore, OK (US) 74017

(\*\*) Term: **14 Years**

(21) Appl. No.: **29/180,730**

(22) Filed: **Apr. 30, 2003**

(51) **LOC (7) Cl.** ..... **07-02**

(52) **U.S. Cl.** ..... **D7/326**

(58) **Field of Search** ..... D7/323, 326, 327;  
D19/81-84; 126/261; 219/385, 386, 387,  
429-436; 392/336

(56) **References Cited**

**U.S. PATENT DOCUMENTS**

D177,167 S \* 3/1956 Chapman ..... D7/326  
2,836,700 A \* 5/1958 Chapman ..... 392/336  
D257,549 S \* 11/1980 Chapman ..... D7/326

D306,246 S \* 2/1990 Rauch ..... D7/300  
6,444,956 B1 \* 9/2002 Witcher et al. .... 219/429  
D466,755 S \* 12/2002 Henry ..... D7/323

\* cited by examiner

*Primary Examiner*—Caron D. Veynar

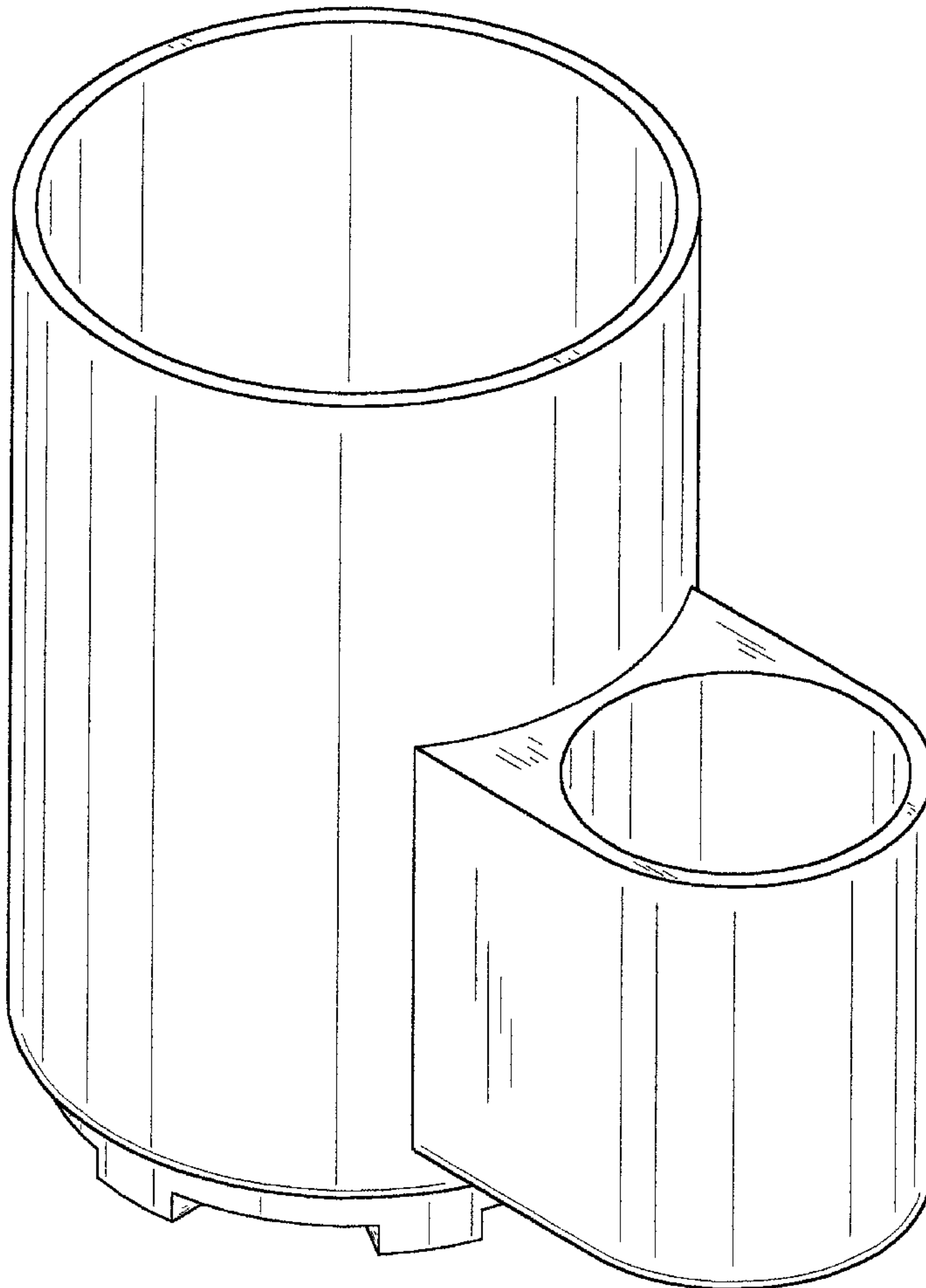
(57) **CLAIM**

The ornamental design for a bottle warmer, as shown and described.

**DESCRIPTION**

FIG. 1 is a side view of a bottle warmer showing my new design.  
FIG. 2 is a back view of the bottle warmer.  
FIG. 3 is a front view of the bottle warmer.  
FIG. 4 is a top view of the bottle warmer.  
FIG. 5 is a bottom view of the bottle warmer; and,  
FIG. 6 is a perspective view of the bottle warmer.  
The broken lines shown in FIG. 1 are for illustrative purposes only and form no part of the claimed design.

**1 Claim, 4 Drawing Sheets**



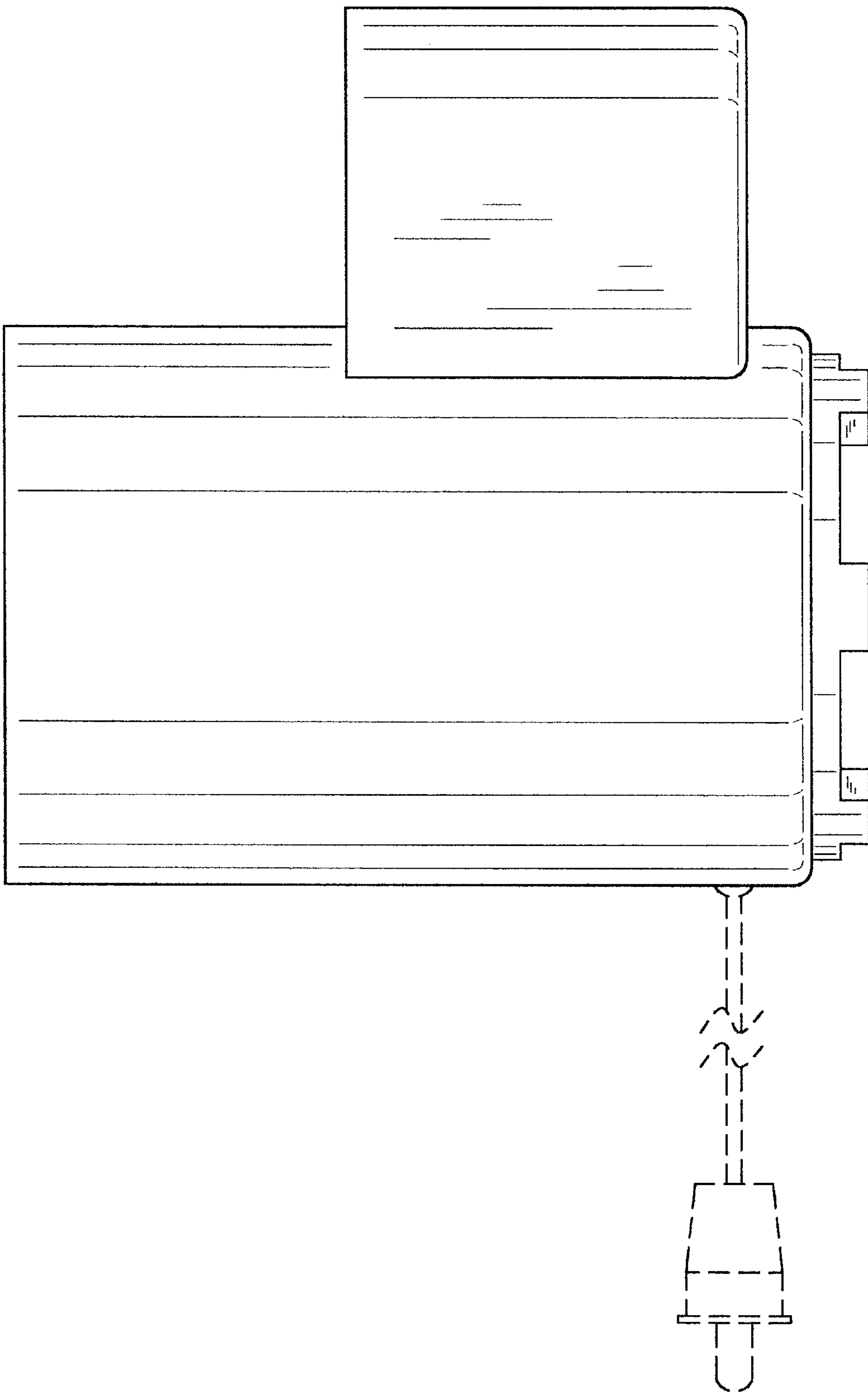


FIG. 1

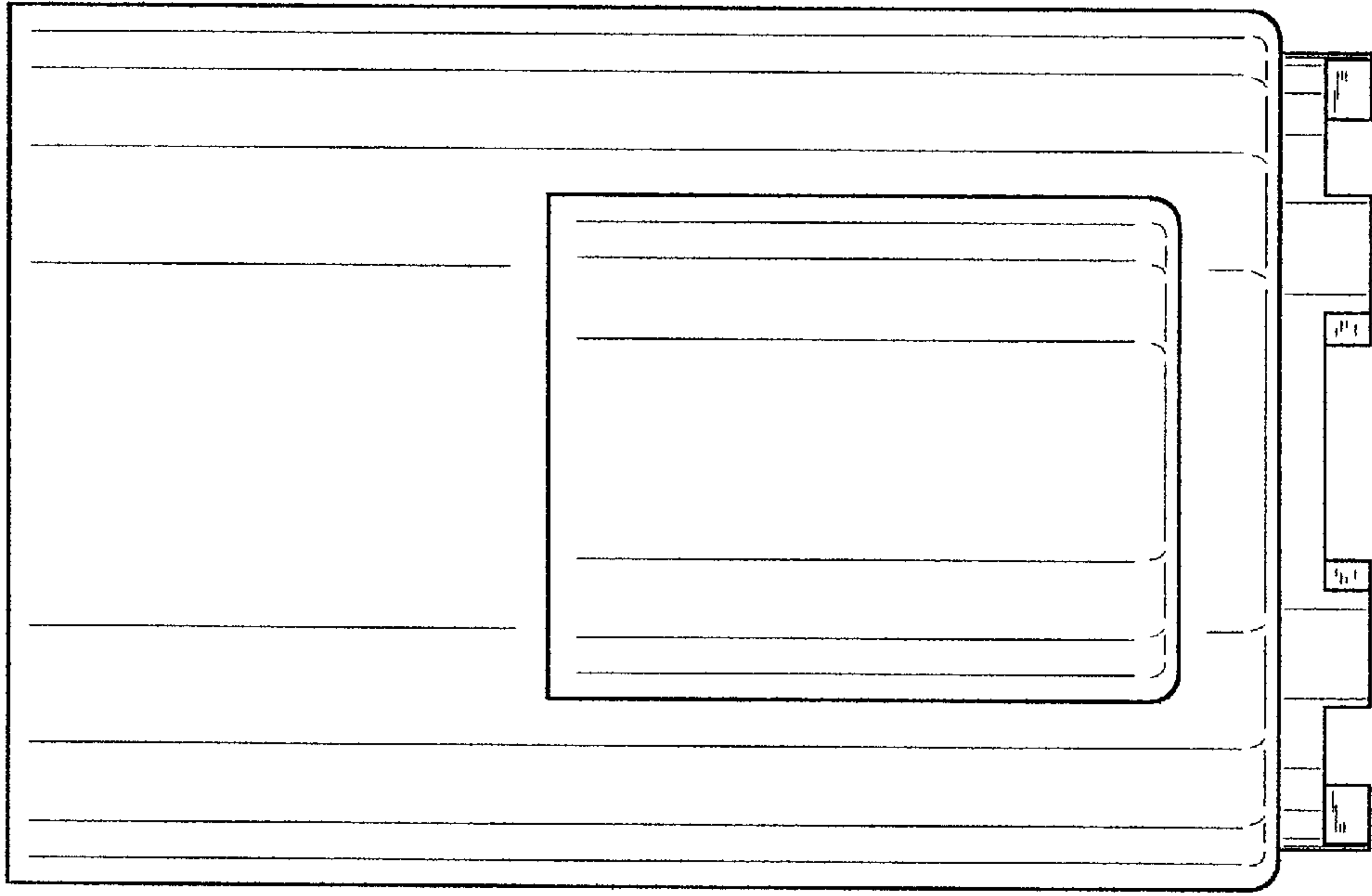


FIG. 3

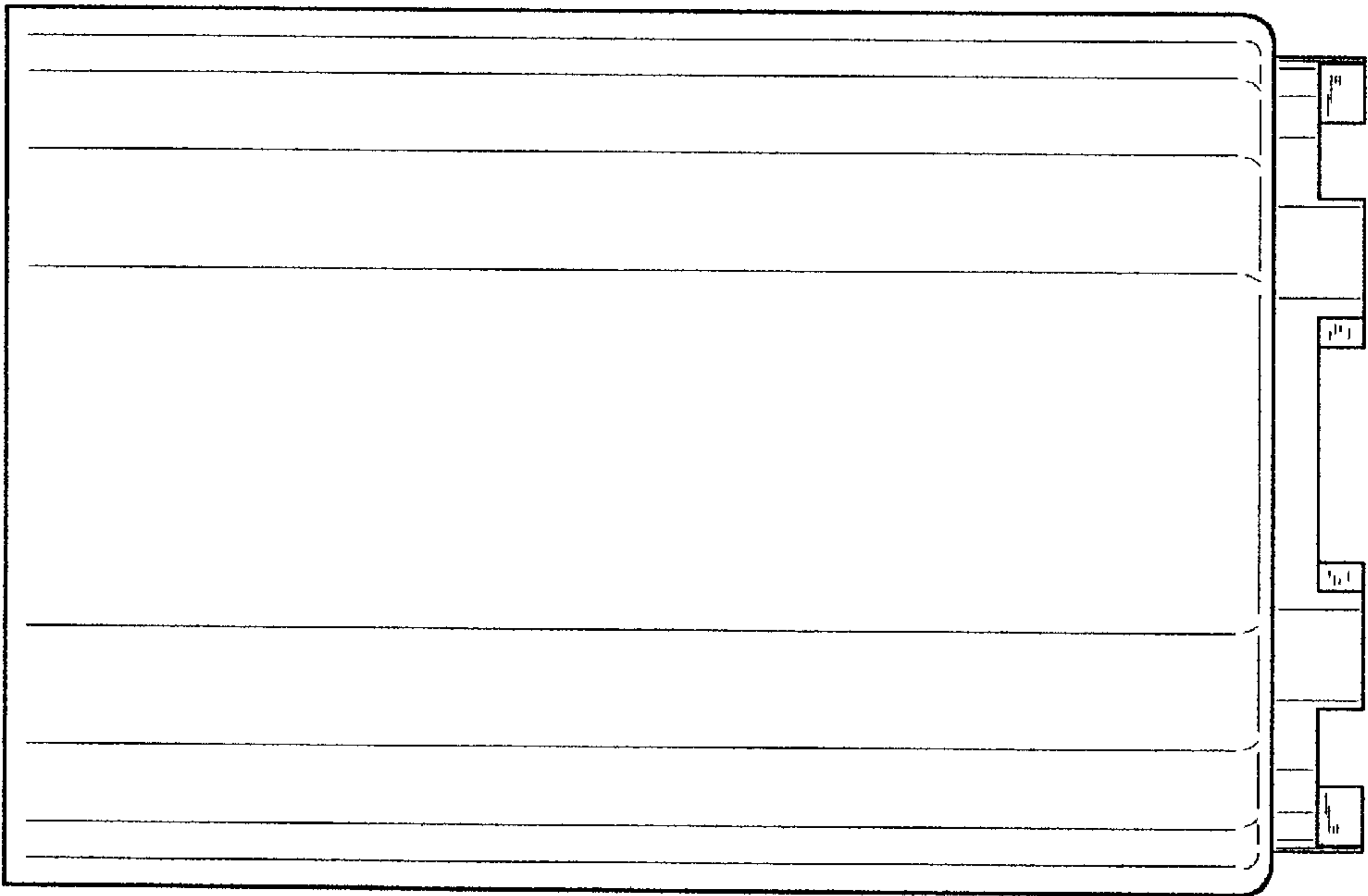


FIG. 2

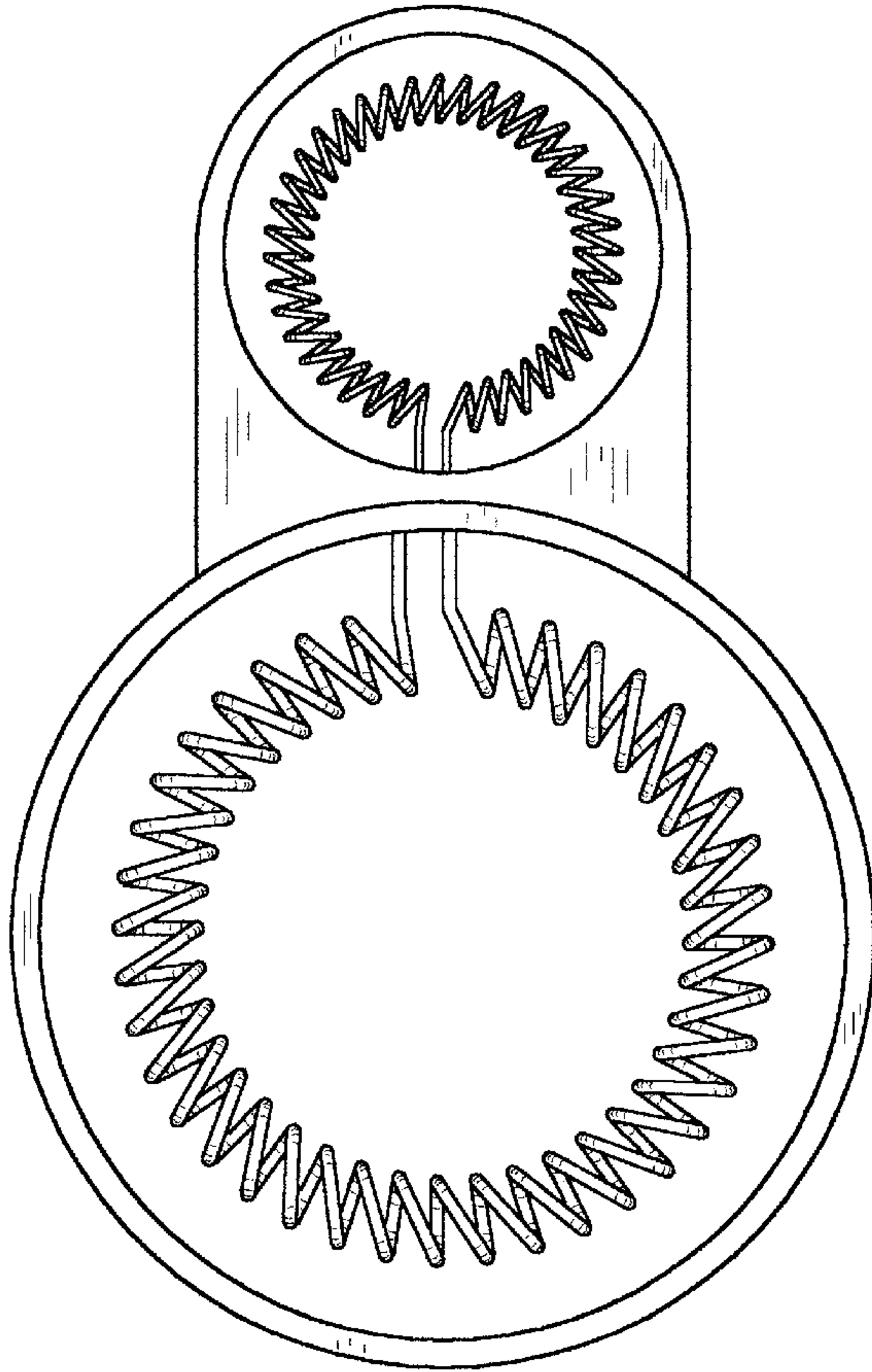


FIG. 4

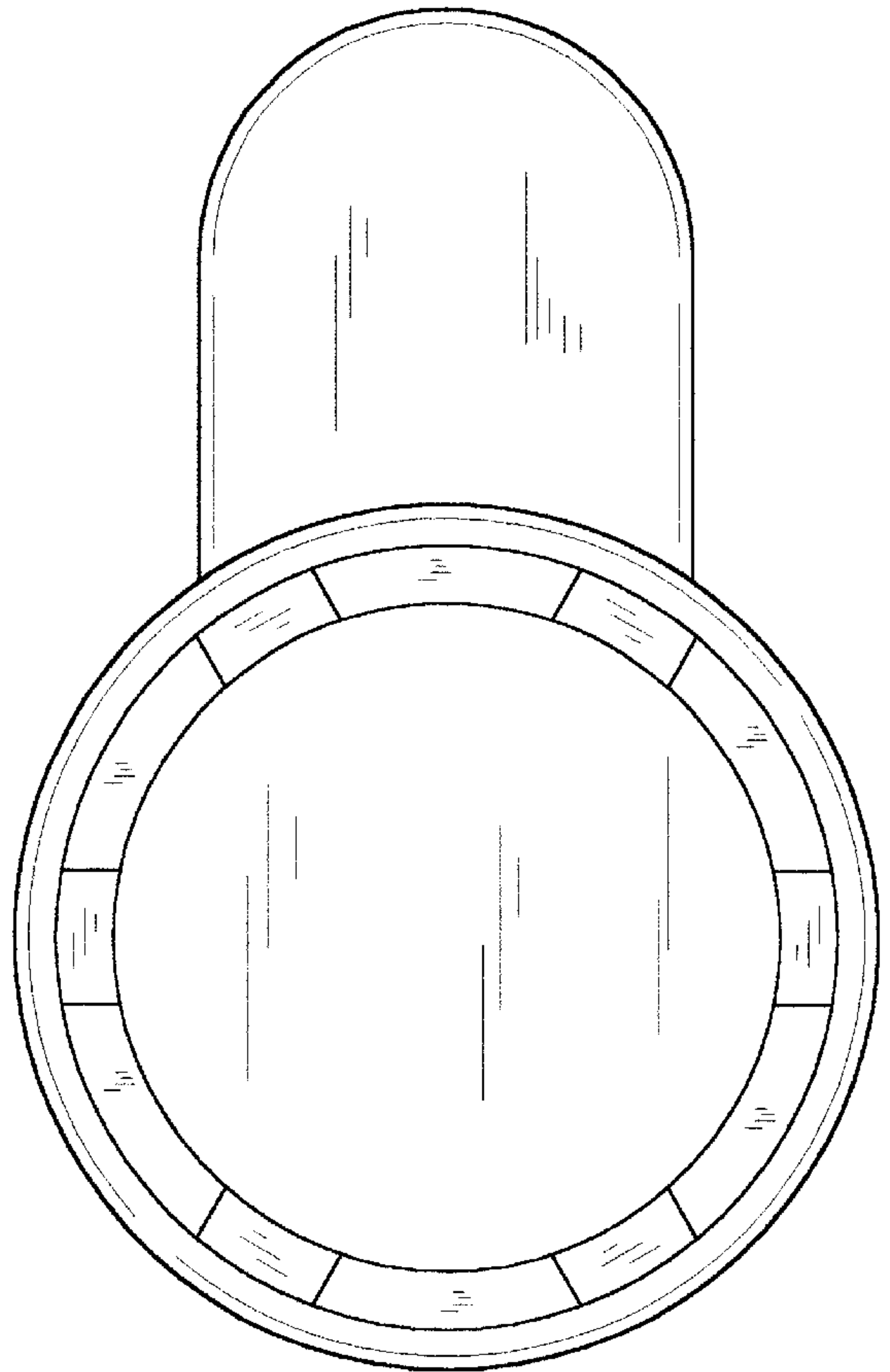


FIG. 5

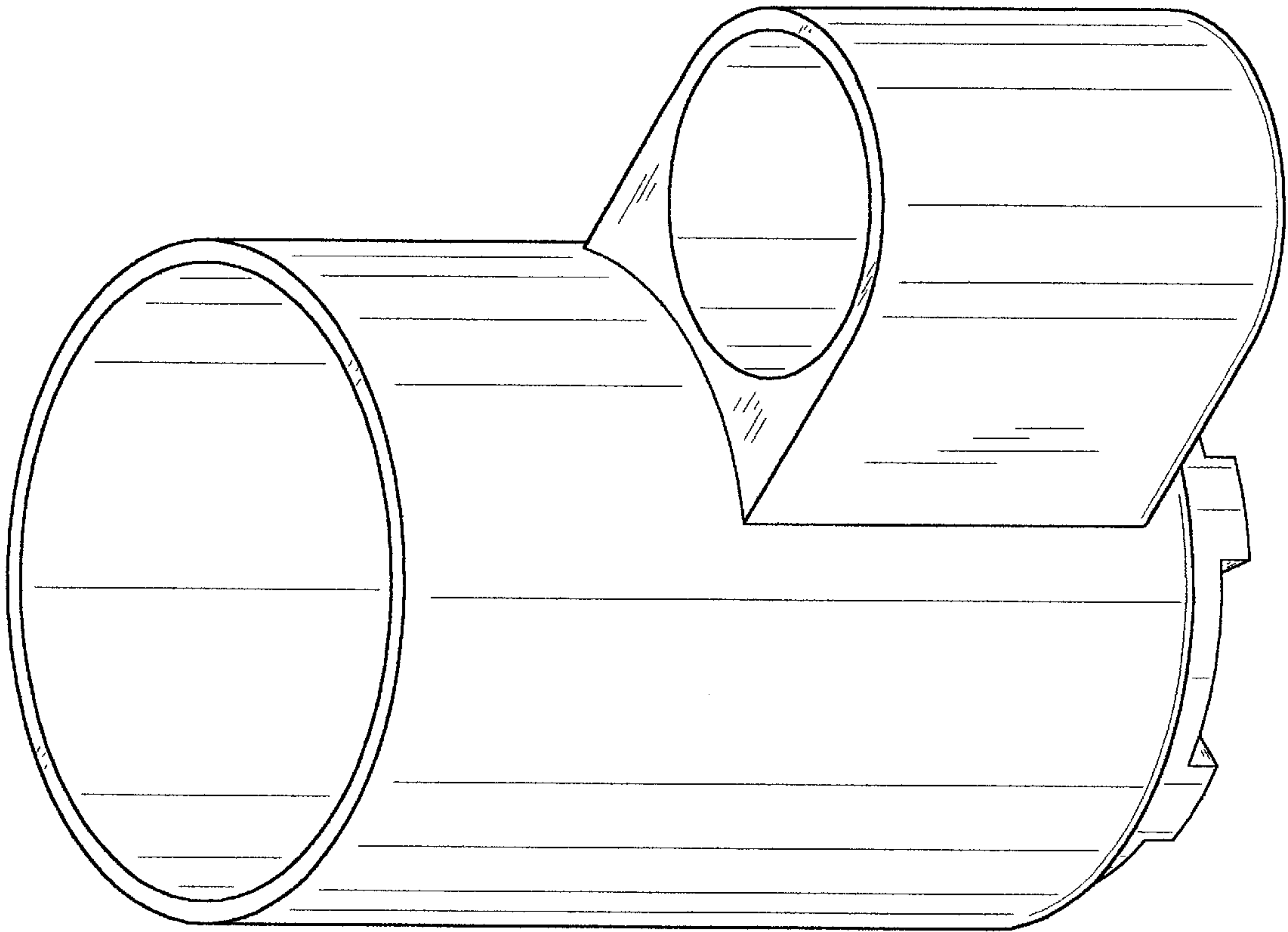


FIG. 6