



US00D486987S

(12) **United States Design Patent**  
**Tyner**

(10) **Patent No.:** **US D486,987 S**

(45) **Date of Patent:** **\*\* Feb. 24, 2004**

(54) **TAPE DRUM FOR VENETIAN TYPE BLINDS**

(75) **Inventor:** **James D. Tyner**, Clermont, FL (US)

(73) **Assignee:** **ITA, Inc.**, St. Augustine, FL (US)

(\*\*) **Term:** **14 Years**

(21) **Appl. No.:** **29/157,521**

(22) **Filed:** **Mar. 20, 2002**

(51) **LOC (7) Cl.** ..... **06-10**

(52) **U.S. Cl.** ..... **D6/580**

(58) **Field of Search** ..... D6/577, 580, 581;  
160/177 R, 178.1 R, 38

(56) **References Cited**

**U.S. PATENT DOCUMENTS**

- 2,667,220 A 2/1954 Rutledge
- 2,670,038 A 2/1954 Lorentzen
- 3,306,343 A \* 2/1967 Hensel ..... 160/177 R

- D346,929 S \* 5/1994 Fraser et al. .... D6/580
- D357,380 S \* 4/1995 Fraser ..... D6/580
- 5,538,068 A \* 7/1996 Liu ..... 160/177 R

\* cited by examiner

*Primary Examiner*—Robin V. Taylor

(74) *Attorney, Agent, or Firm*—Buchanan Ingersoll, P.C.

(57) **CLAIM**

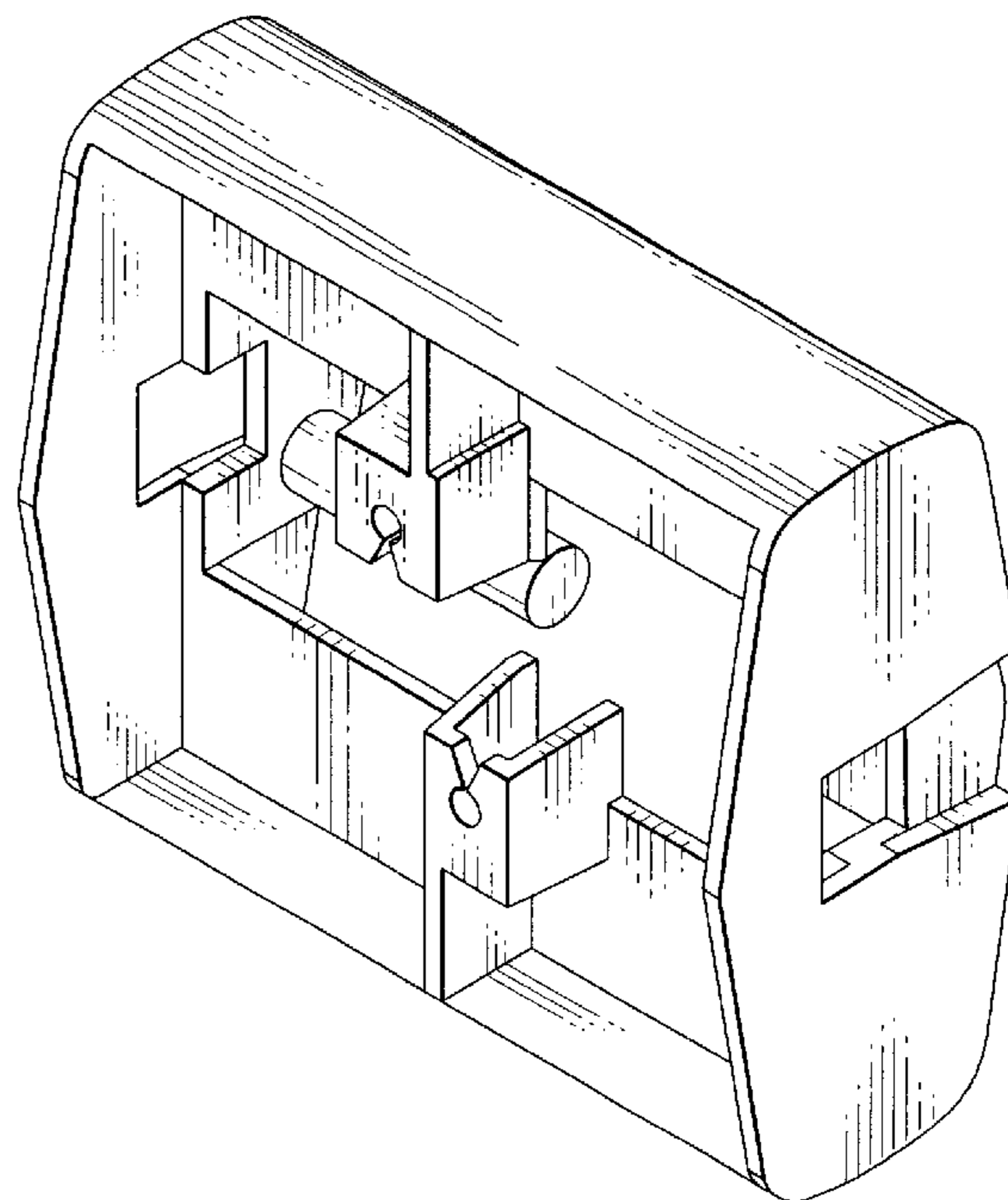
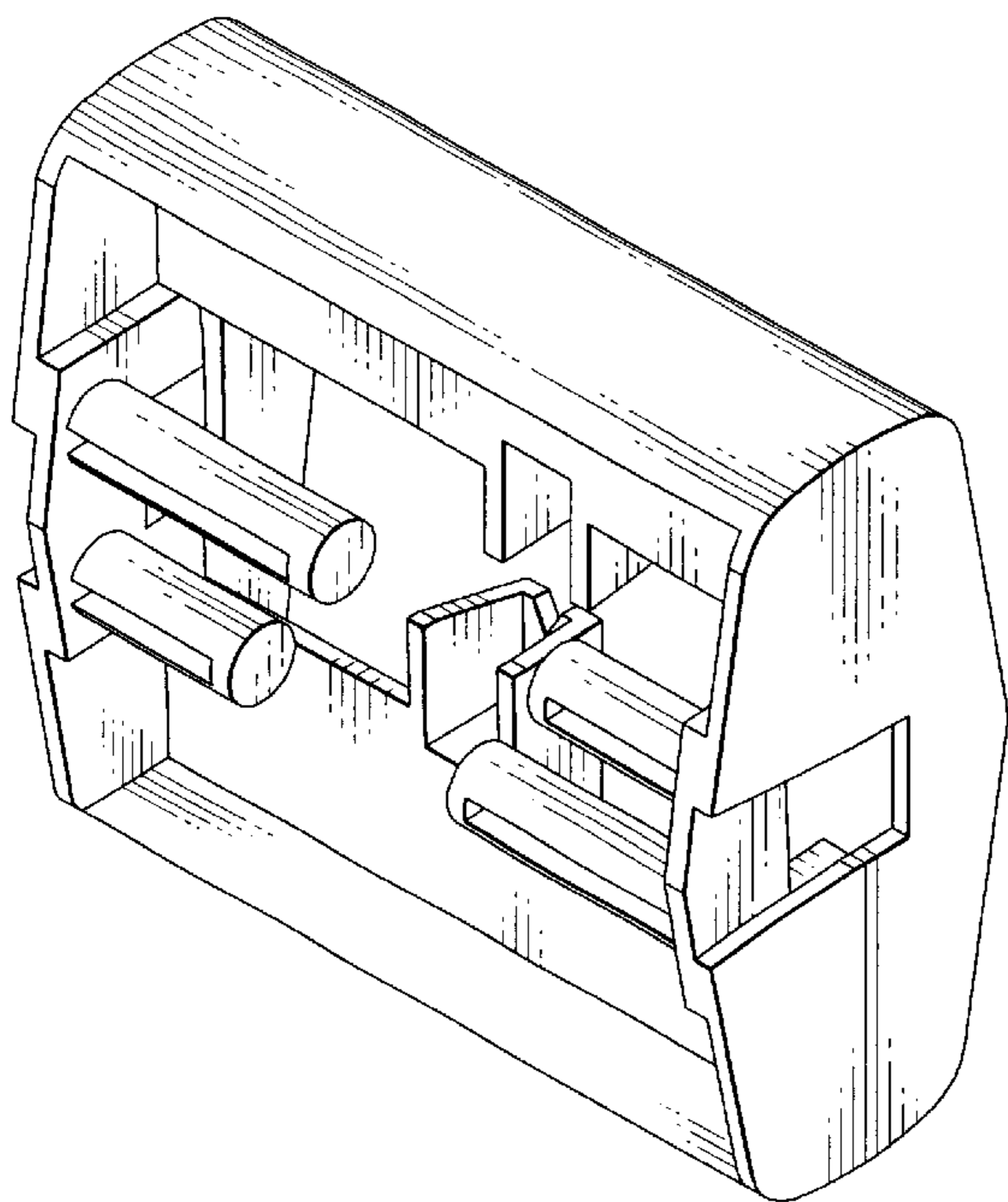
The ornamental design for a tape drum for venetian type blinds, as shown and described.

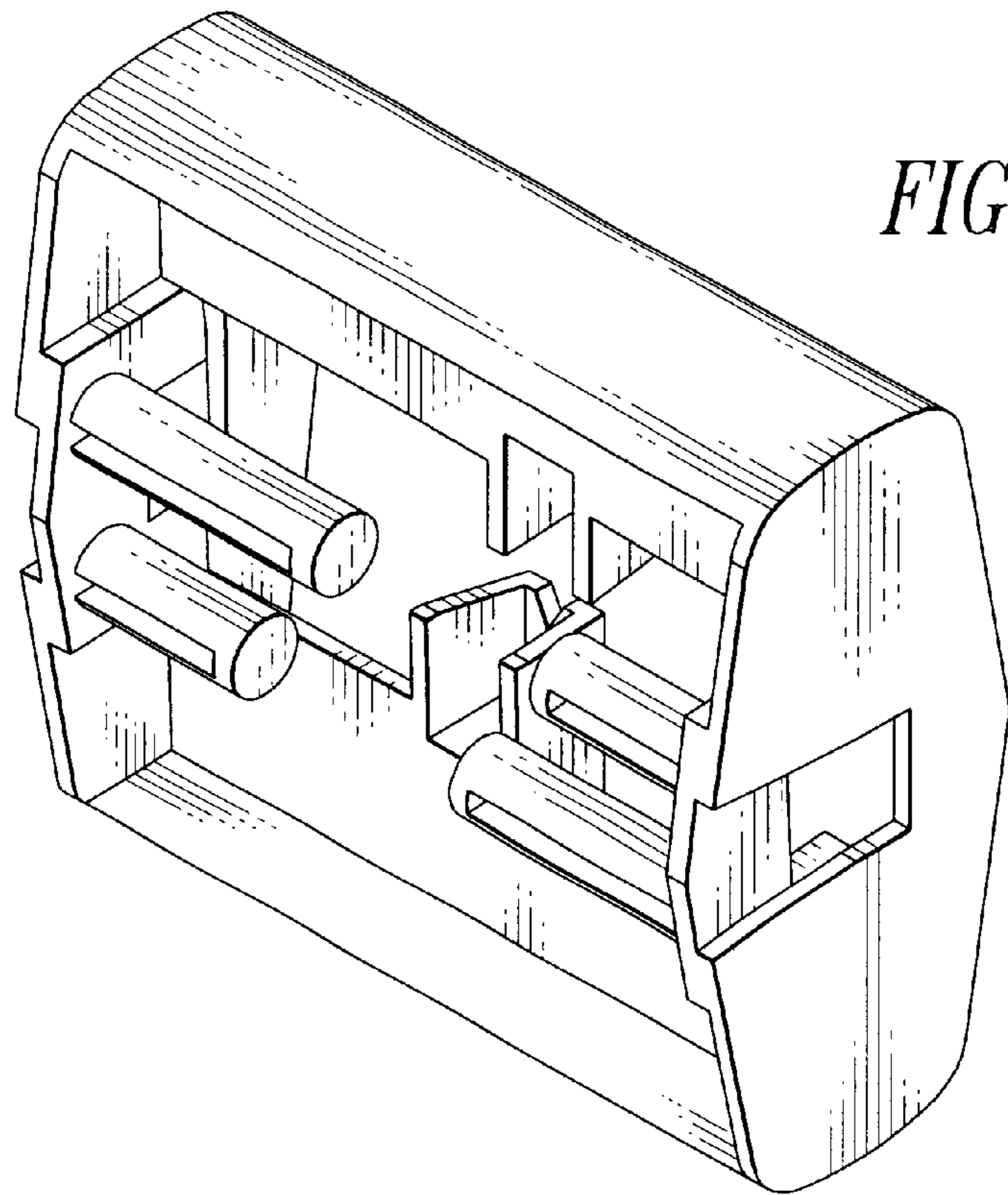
**DESCRIPTION**

FIG. 1 is a perspective view showing the bottom, left side and rear of the tape drum; and, FIG. 2 is a perspective view showing the top, left side and front thereof.

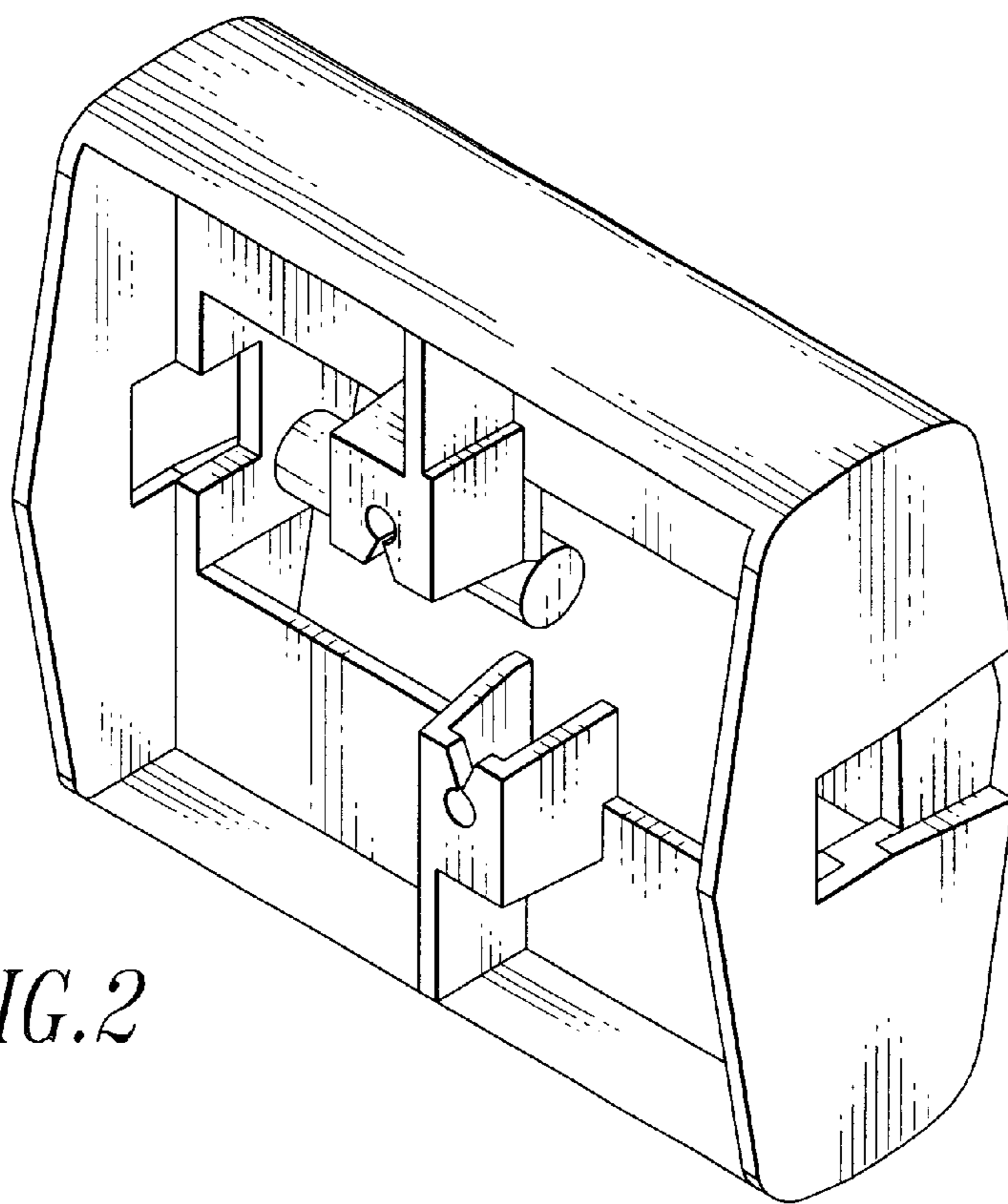
The right side of the tape drum is a mirror image of the left side of the tape drum.

**1 Claim, 1 Drawing Sheet**





*FIG. 1*



*FIG. 2*