



US00D486985S

(12) **United States Design Patent**
Barile, Sr.

(10) **Patent No.:** **US D486,985 S**

(45) **Date of Patent:** **** Feb. 24, 2004**

(54) **CURVED STACKING BAR**

(75) Inventor: **Peter Barile, Sr.**, Morristown, TN (US)

(73) Assignee: **Daniel Paul Chairs, LLC**, Morristown, TN (US)

(**) Term: **14 Years**

(21) Appl. No.: **29/180,720**

(22) Filed: **Apr. 29, 2003**

(51) **LOC (7) Cl.** **06-06**

(52) **U.S. Cl.** **D6/500**

(58) **Field of Search** D6/333, 334, 374,
D6/375, 379, 380, 500-502; 297/239, 285,
296, 297, 445.1

(56) **References Cited**

U.S. PATENT DOCUMENTS

3,159,428	A	*	12/1964	Schier	297/239
4,400,031	A	*	8/1983	Kita	D6/380
4,603,904	A	*	8/1986	Tolleson et al.	297/296
5,902,012	A	*	5/1999	Han	297/297
6,406,094	B2	*	3/2000	Kaiser	D6/334
6,338,528	B1	*	1/2002	Turner et al.	D6/380

* cited by examiner

Primary Examiner—Robert M. Spear

Assistant Examiner—Mimosa De

(74) *Attorney, Agent, or Firm*—Pitts & Brittan, P.C.

(57) **CLAIM**

The ornamental design for curved stacking bar, as shown and described.

DESCRIPTION

FIG. 1 is a perspective view of the curved stacking bar of the present invention;

FIG. 2 is a front elevation view of the curved stacking bar of the present invention;

FIG. 3 is a rear elevation view of the curved stacking bar of the present invention;

FIG. 4 is a left side elevation view of a curved stacking bar of the present invention, the right side elevation view being a mirror image thereof;

FIG. 5 is a top plan view of the curved stacking bar of the present invention;

FIG. 6 is a bottom plan view the curved stacking bar of the present invention.

FIG. 7 is a perspective view of a second embodiment of the curved stacking bar of the present invention;

FIG. 8 is a front elevation view of the second embodiment of the curved stacking bar of FIG. 7;

FIG. 9 is a rear elevation view of the second embodiment of the curved stacking bar of FIG. 7;

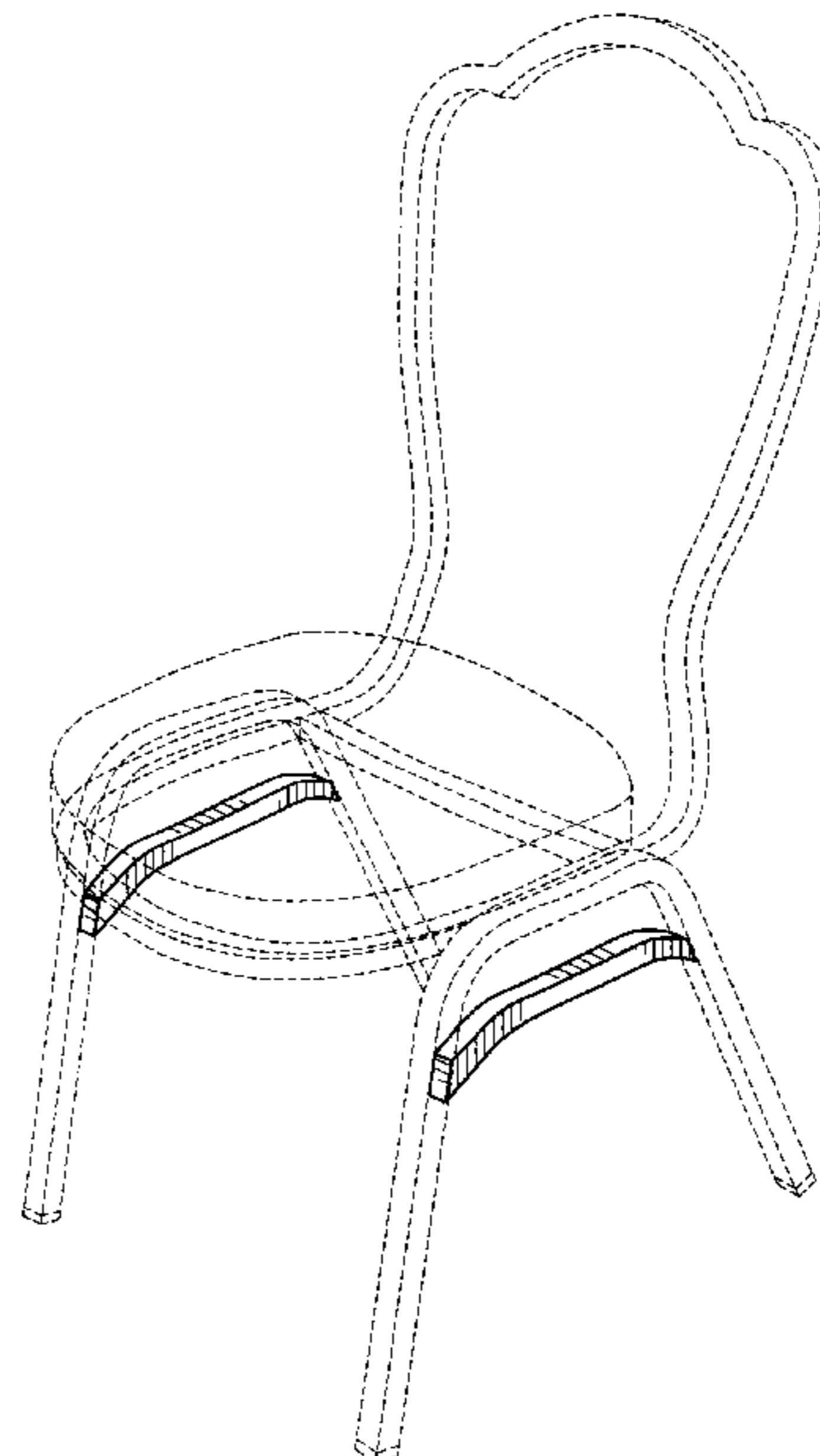
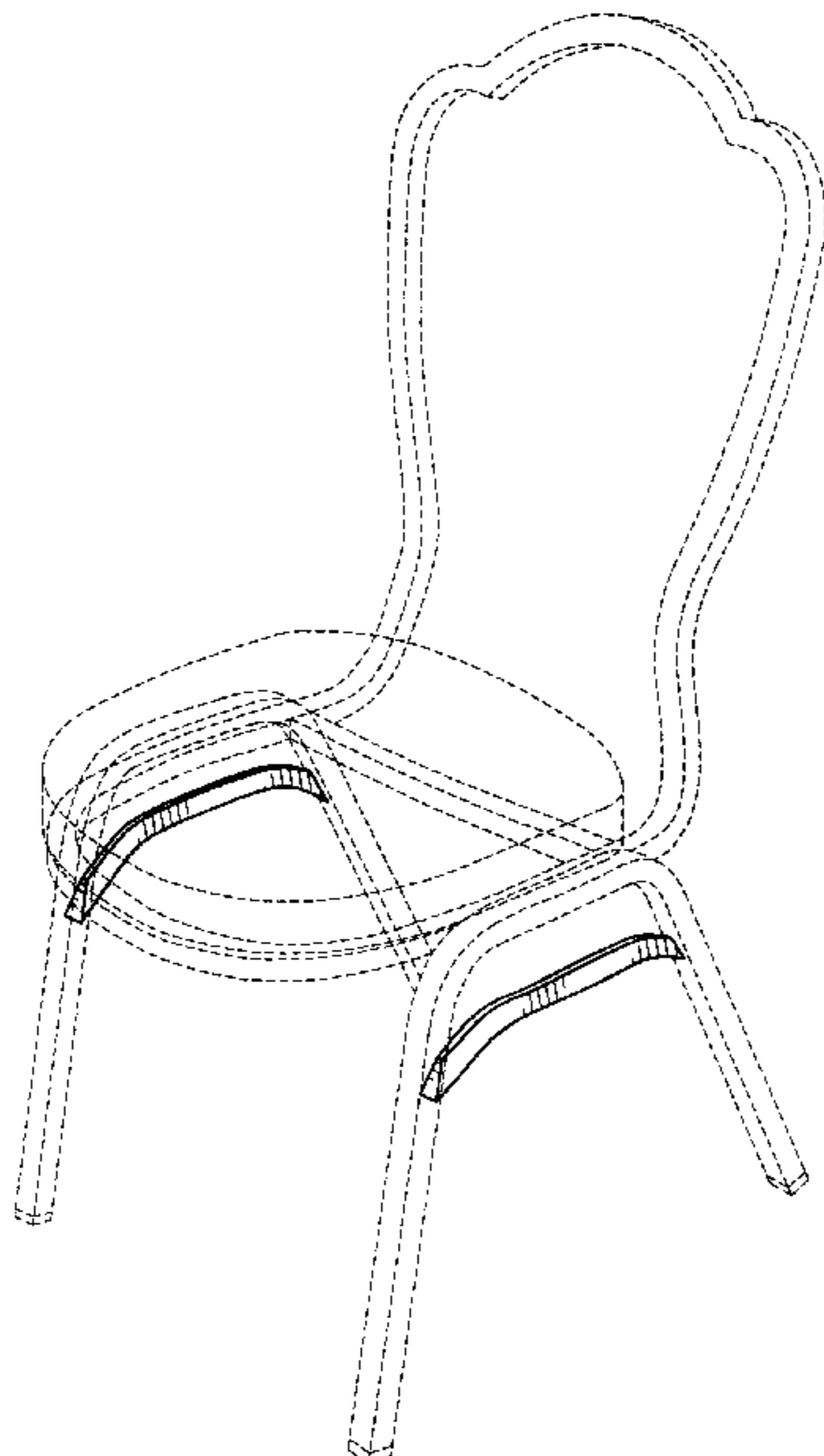
FIG. 10 is a left side elevation view of one of the curved stacking bar of FIG. 7, the right side elevation view being a mirror image thereof;

FIG. 11 is a top plan view of the curved stacking bar of FIG. 7; and,

FIG. 12 is a bottom plan view of the curved stacking bar of FIG. 7.

The features of the chair shown in broken lines are for illustrative purposes only and form no part of the claimed design.

1 Claim, 12 Drawing Sheets



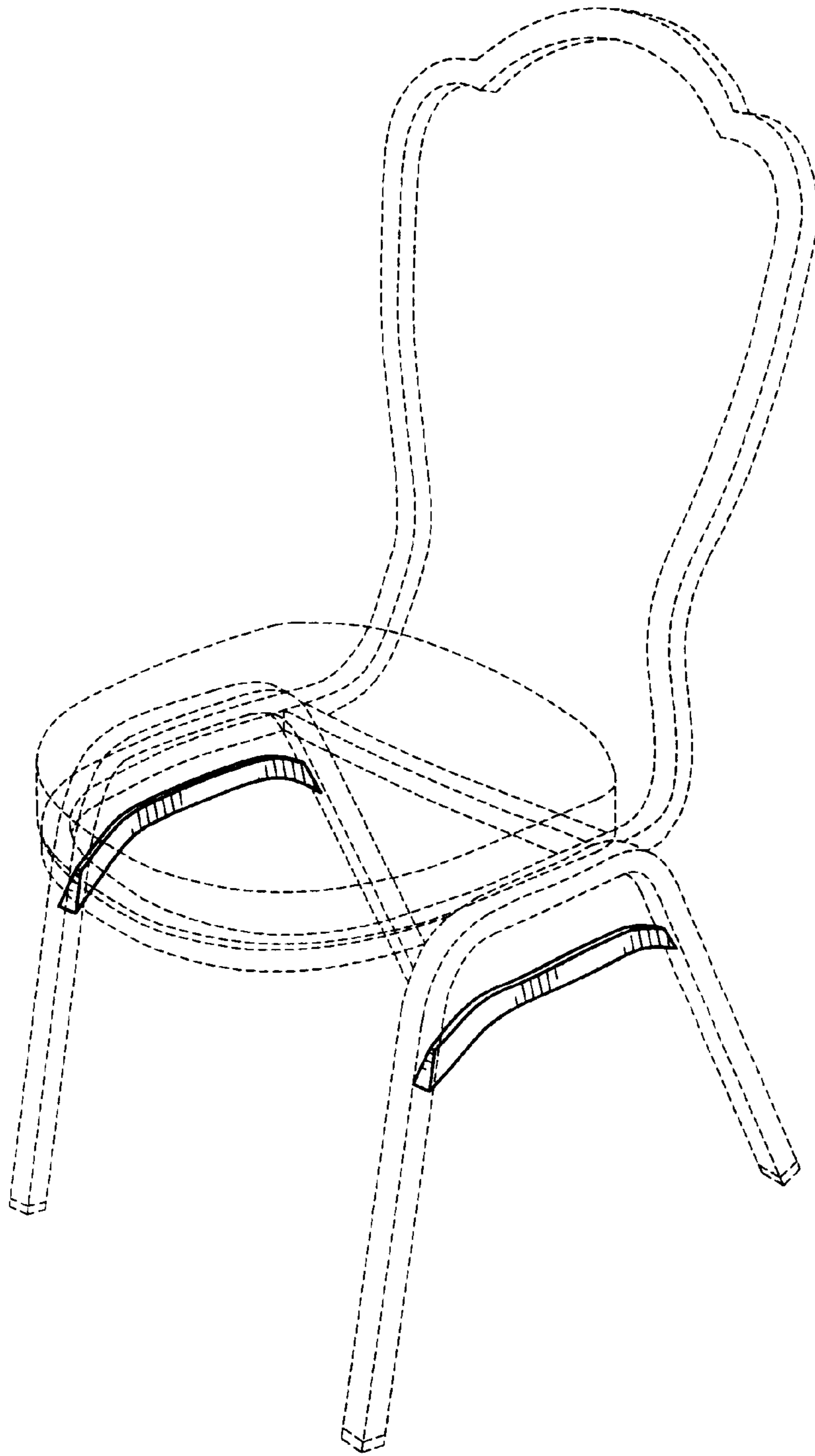


Fig. 1

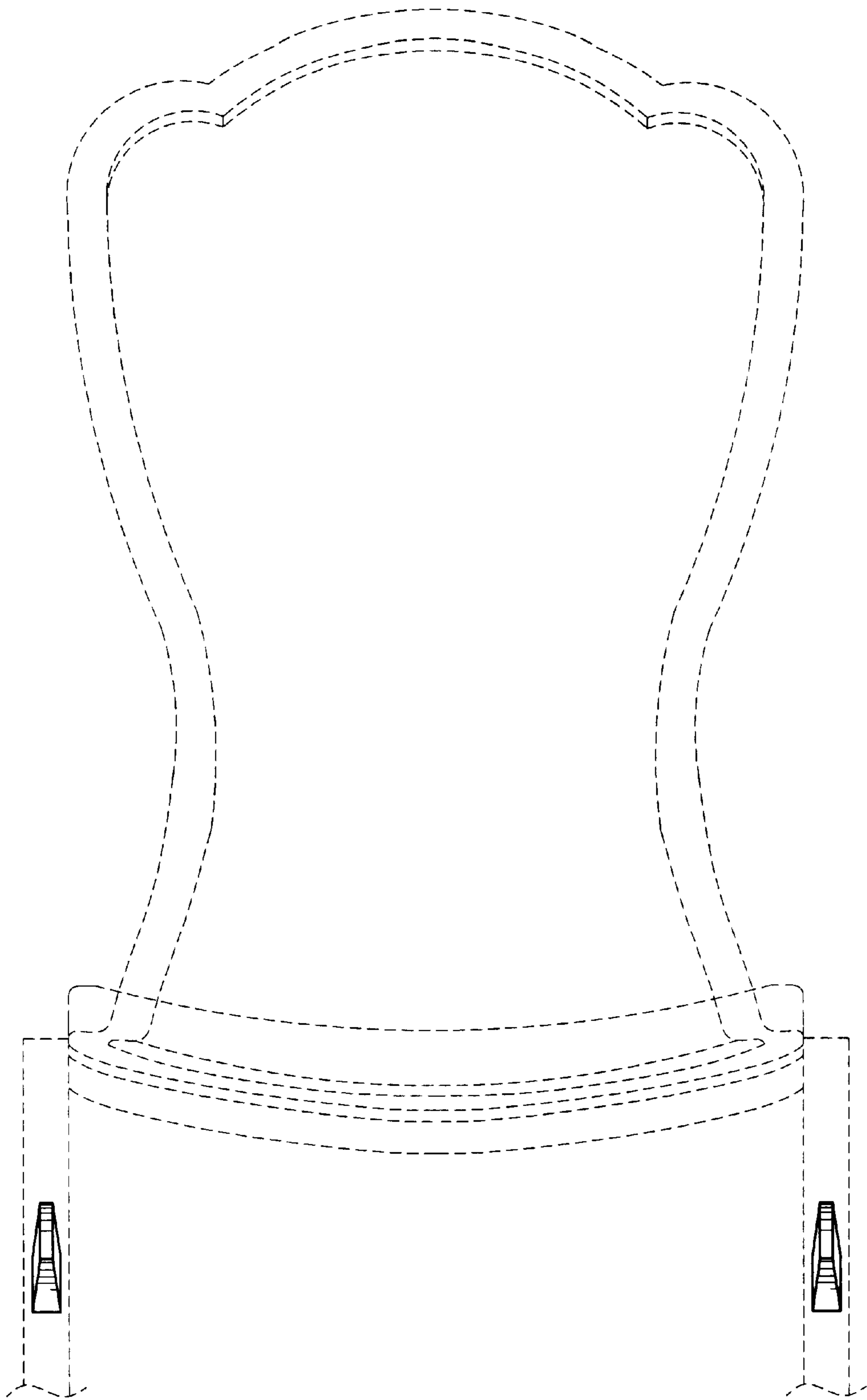


Fig.2

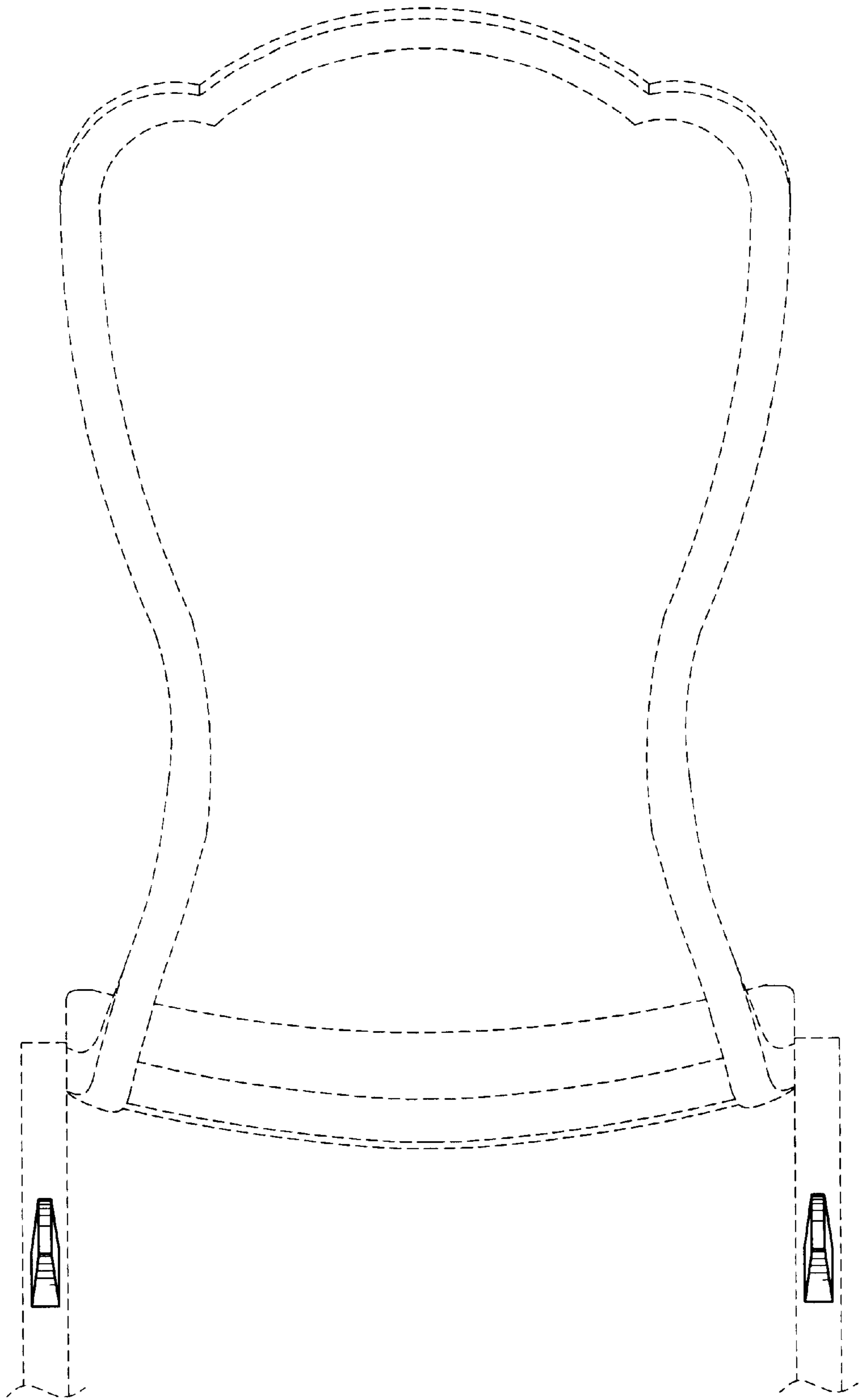


Fig. 3

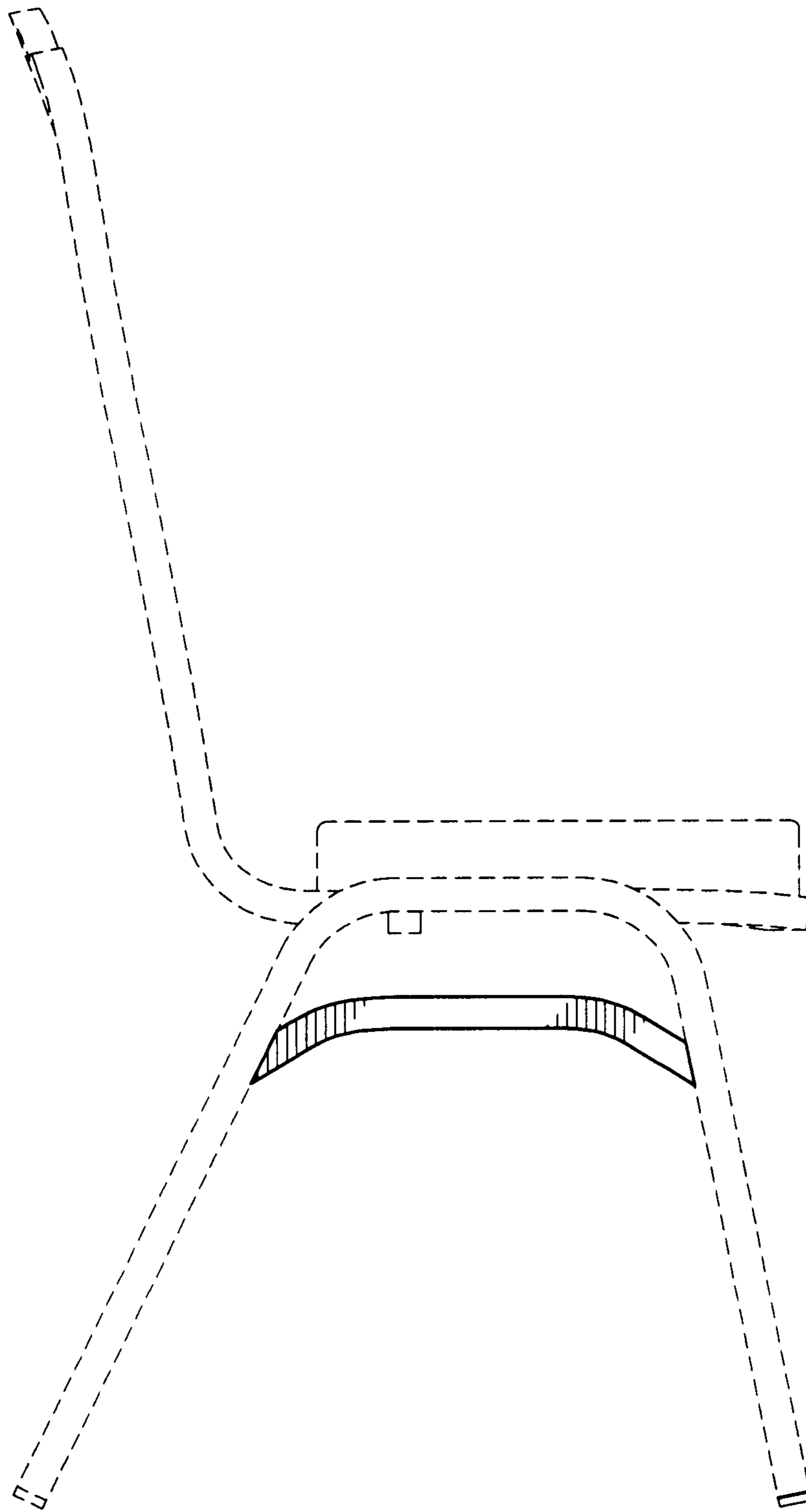


Fig. 4

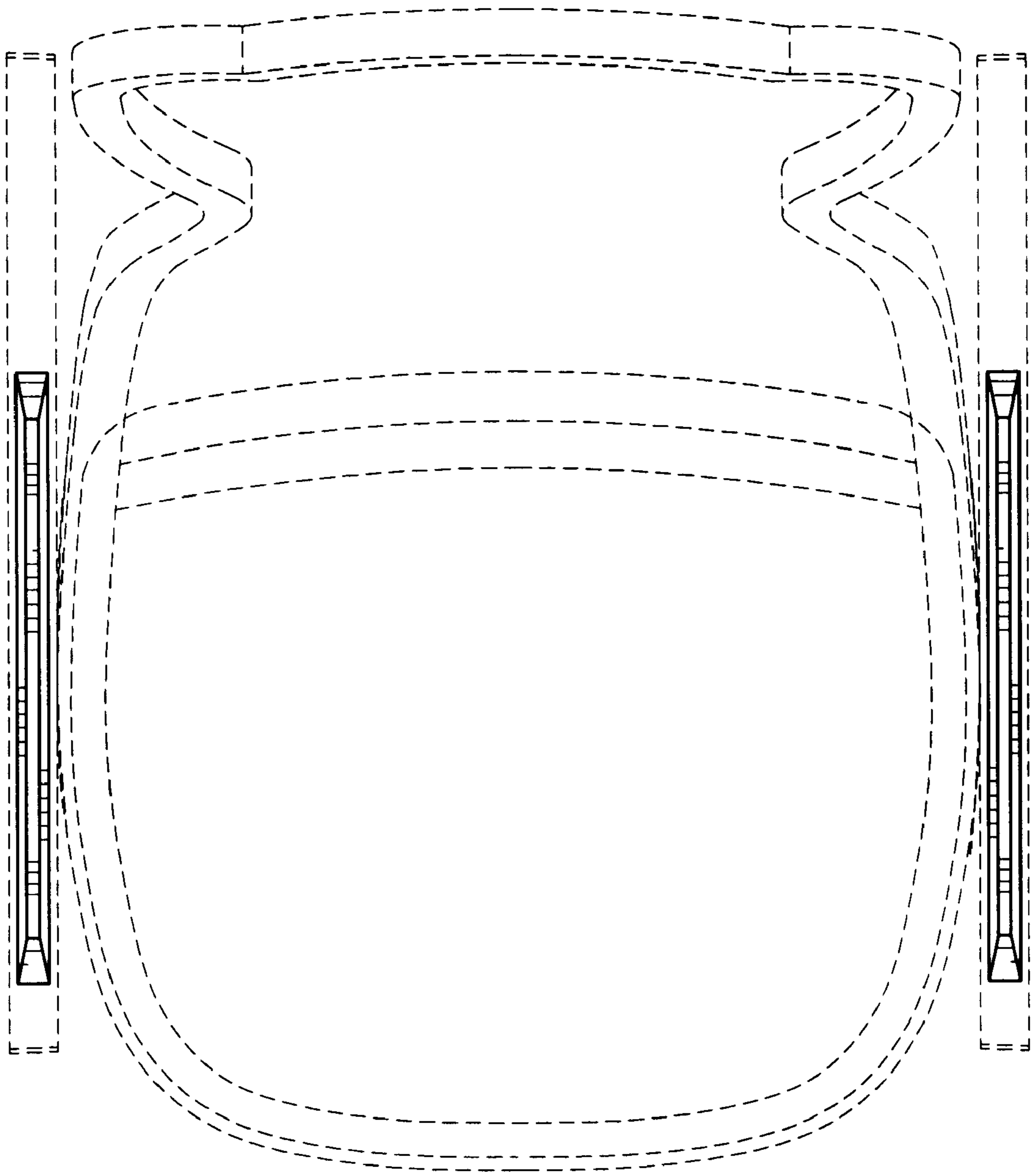


Fig. 5

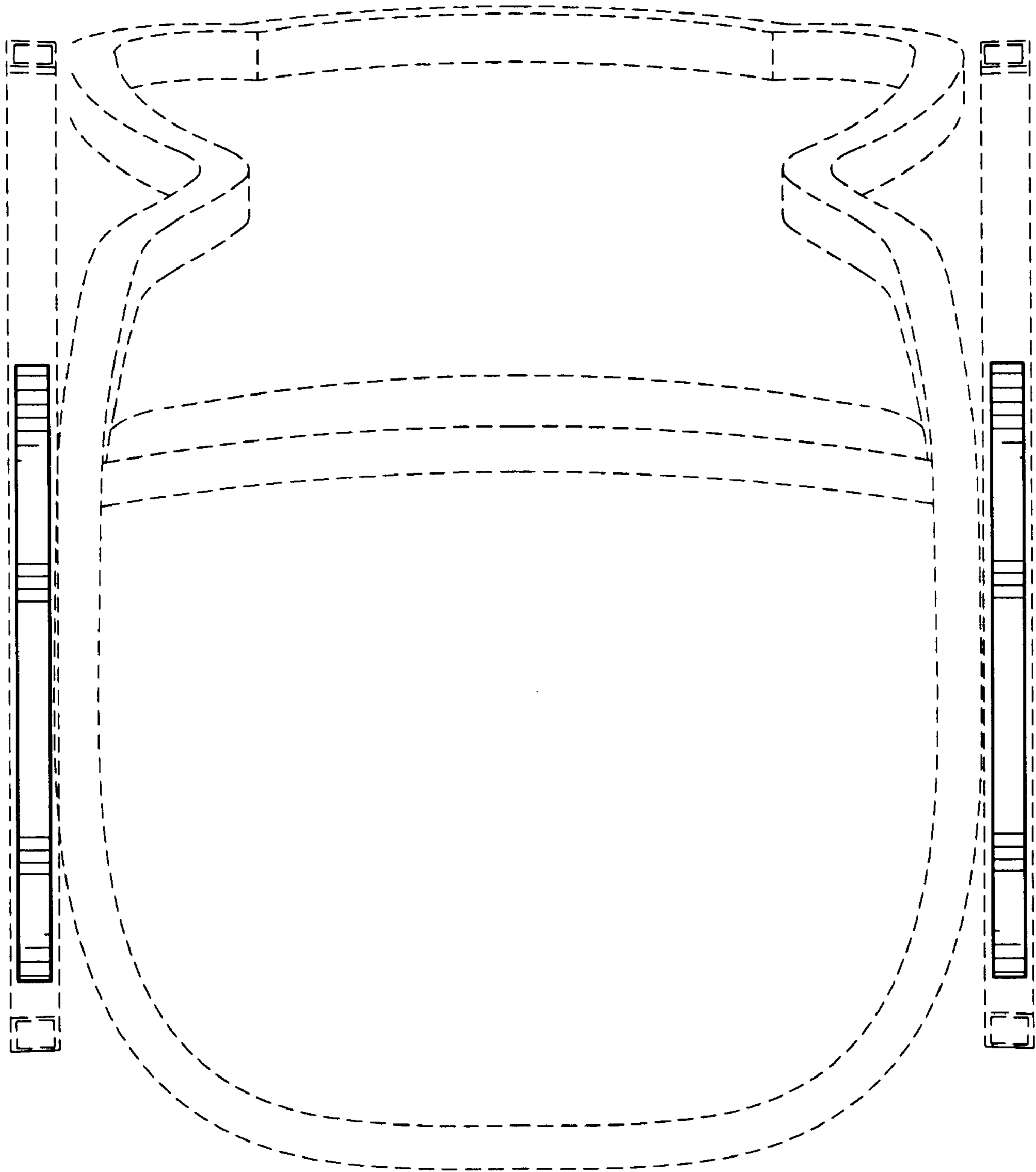


Fig.6

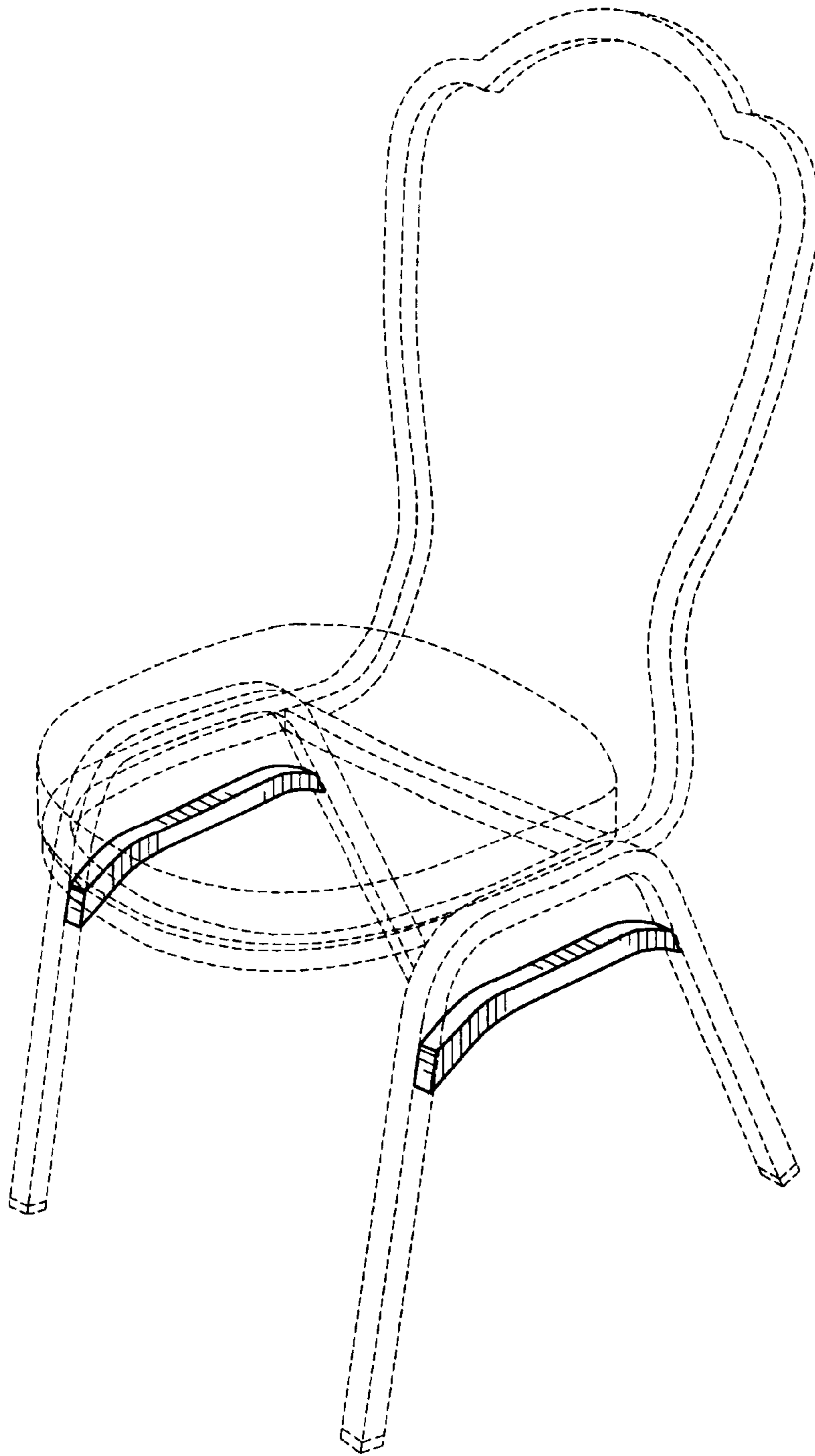


Fig. 7

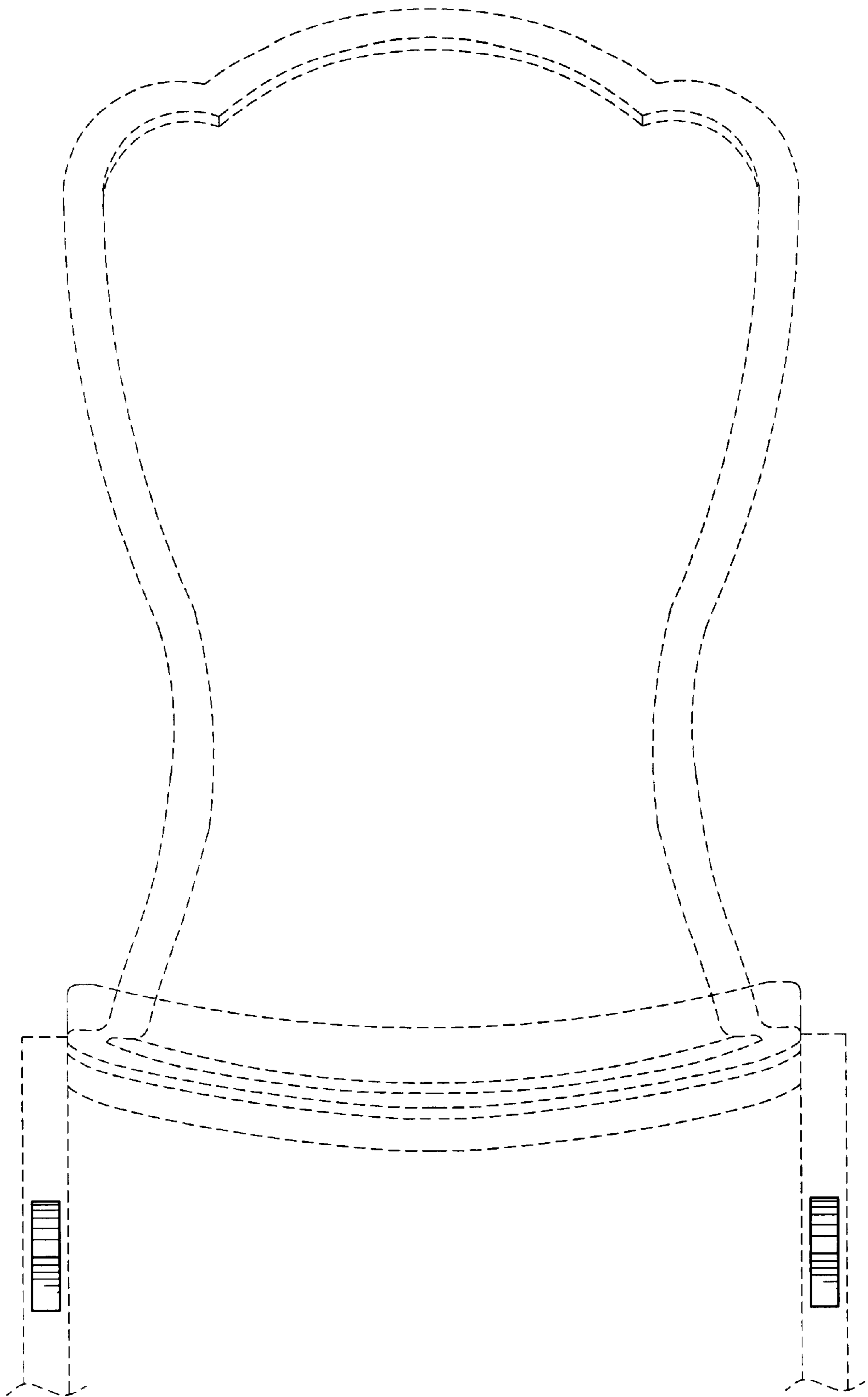


Fig.8

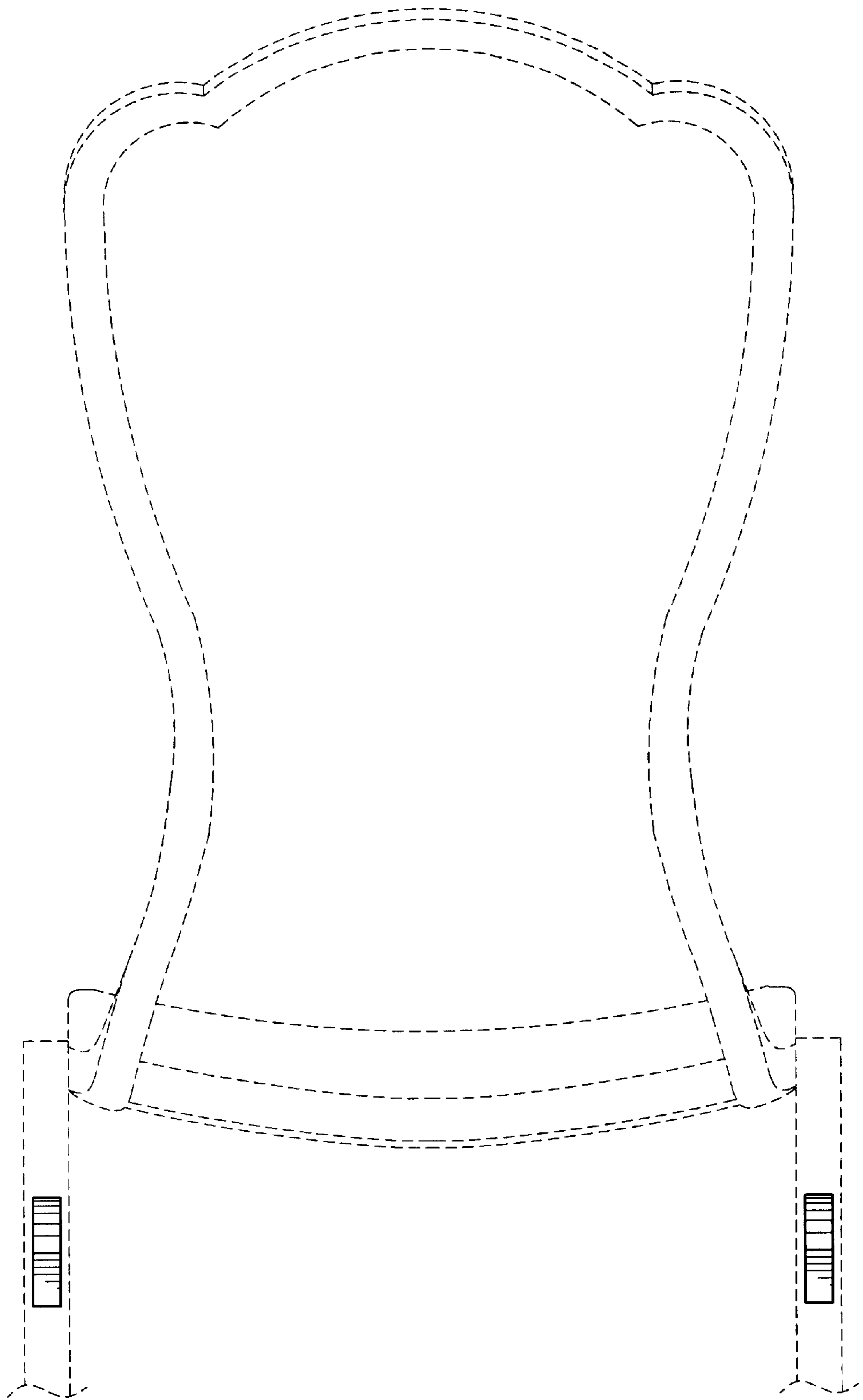


Fig. 9

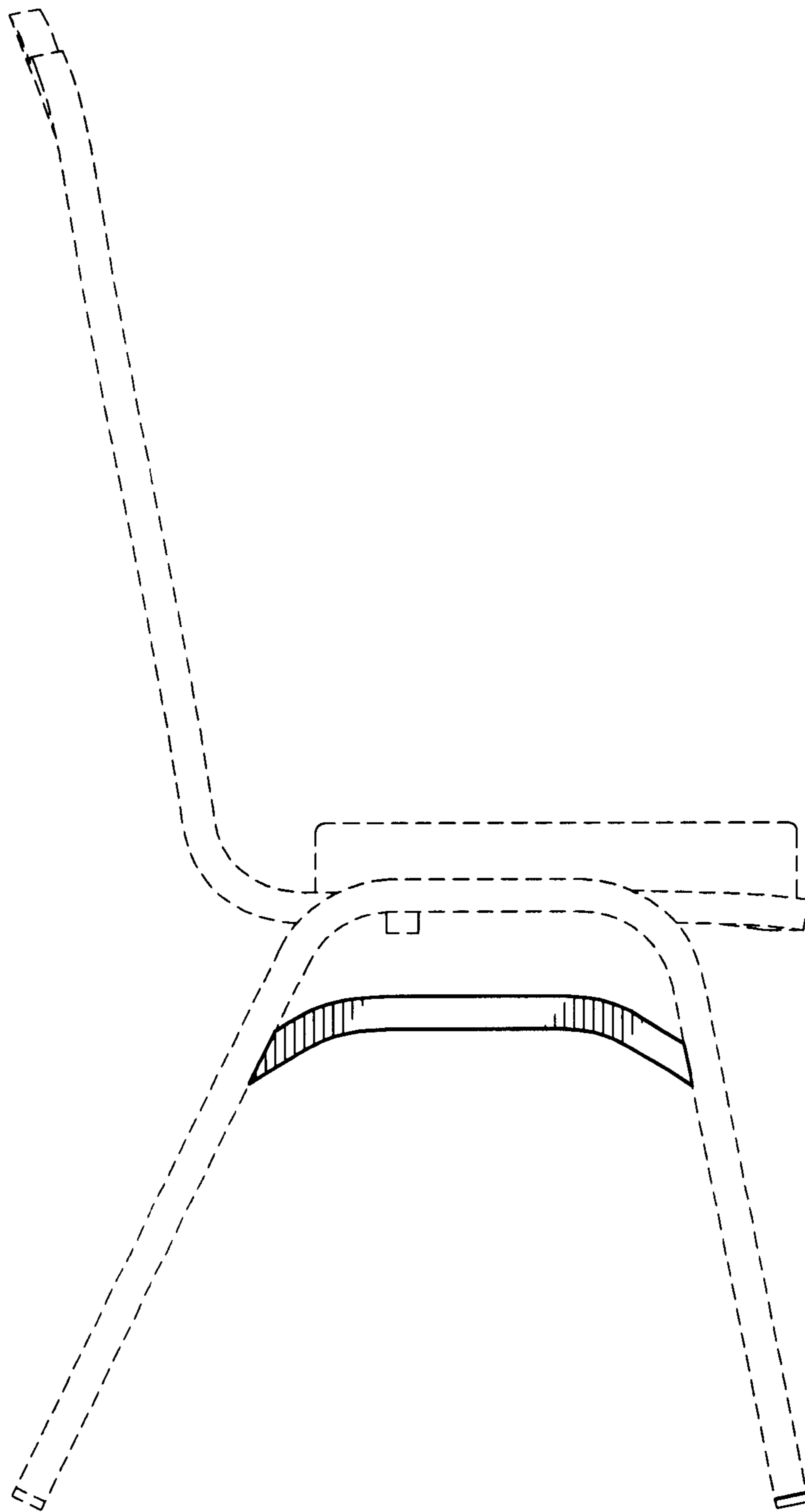


Fig. 10

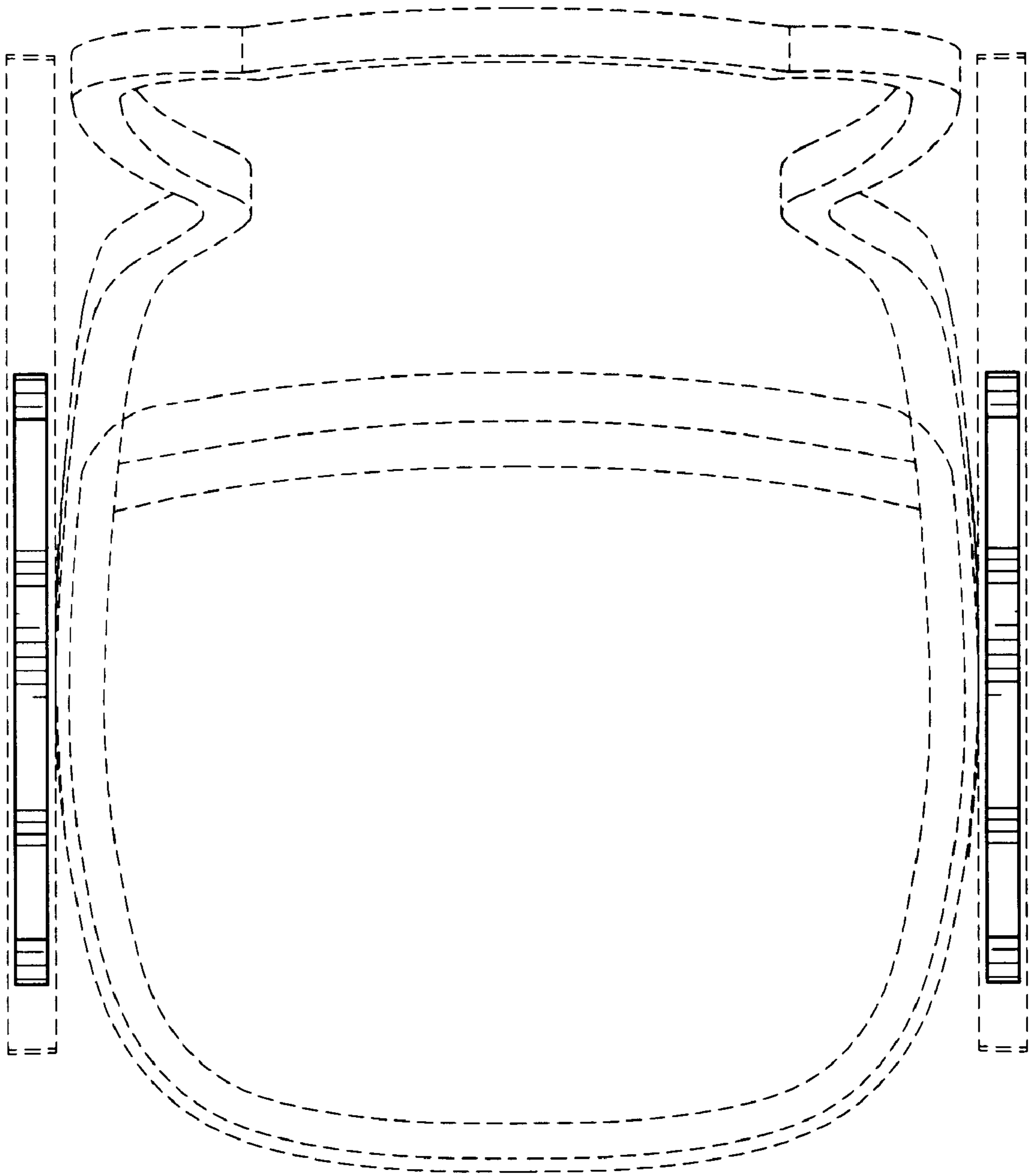


Fig. 11

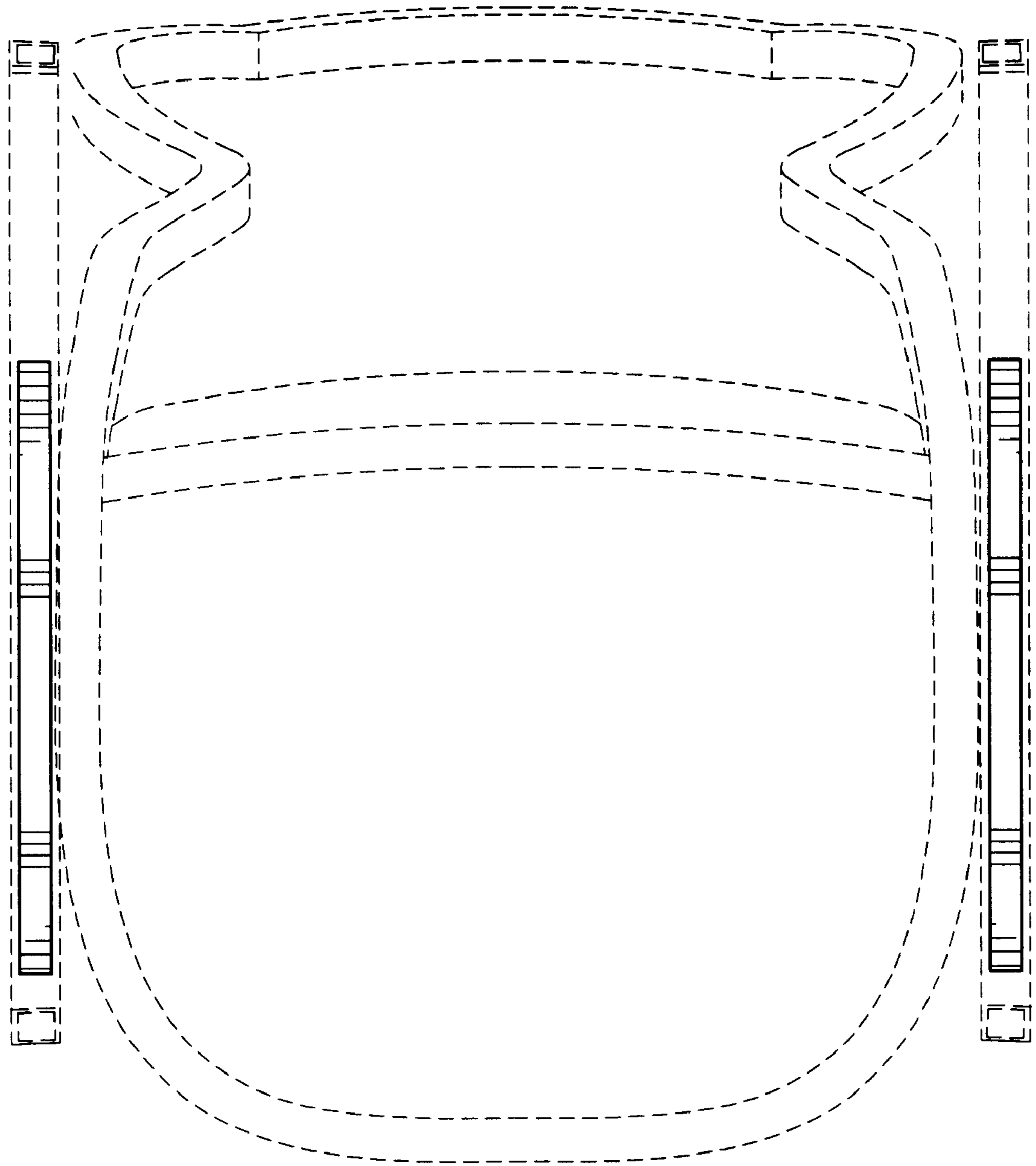


Fig. 12