



US00D486984S

(12) **United States Design Patent**  
**Barile, Jr. et al.**

(10) **Patent No.:** **US D486,984 S**

(45) **Date of Patent:** **\*\* Feb. 24, 2004**

(54) **A-FRAME CHAIR LEG ASSEMBLY**

6,174,029 B1 1/2001 Swy  
D439,069 S \* 3/2001 Turner et al. .... D6/380  
D469,621 S \* 2/2003 Kita ..... D6/380

(75) Inventors: **Peter W. Barile, Jr.**, Morristown, TN  
(US); **Peter Barile, Sr.**, Morristown,  
TN (US)

\* cited by examiner

(73) Assignee: **Daniel Paul Chairs, LLC**, Morristown,  
TN (US)

*Primary Examiner*—Robert M. Spear  
*Assistant Examiner*—Mimosa De  
(74) *Attorney, Agent, or Firm*—Pitts & Brittan, P.C.

(\*\*) Term: **14 Years**

(57) **CLAIM**

(21) Appl. No.: **29/180,714**

The ornamental design for A-frame chair leg assembly, as shown and described.

(22) Filed: **Apr. 29, 2003**

**DESCRIPTION**

(51) **LOC (7) Cl.** ..... **06-06**

(52) **U.S. Cl.** ..... **D6/500**

(58) **Field of Search** ..... D6/333, 334, 374,  
D6/375, 379, 380, 500–502; 297/239, 285,  
296, 297, 445.1

FIG. 1 is a perspective view of A-frame chair leg assembly of the present invention;  
FIG. 2 is a front elevation view of A-frame chair leg assembly of the present invention;  
FIG. 3 is a rear elevation view of A-frame chair leg assembly of the present invention;  
FIG. 4 is a left side elevation view of A-frame chair leg assembly of the present invention, the right side elevation view being a mirror image thereof;  
FIG. 5 is a top plan view of A-frame chair leg assembly of the present invention; and,  
FIG. 6 is a bottom view of A-frame chair leg assembly of the present invention.

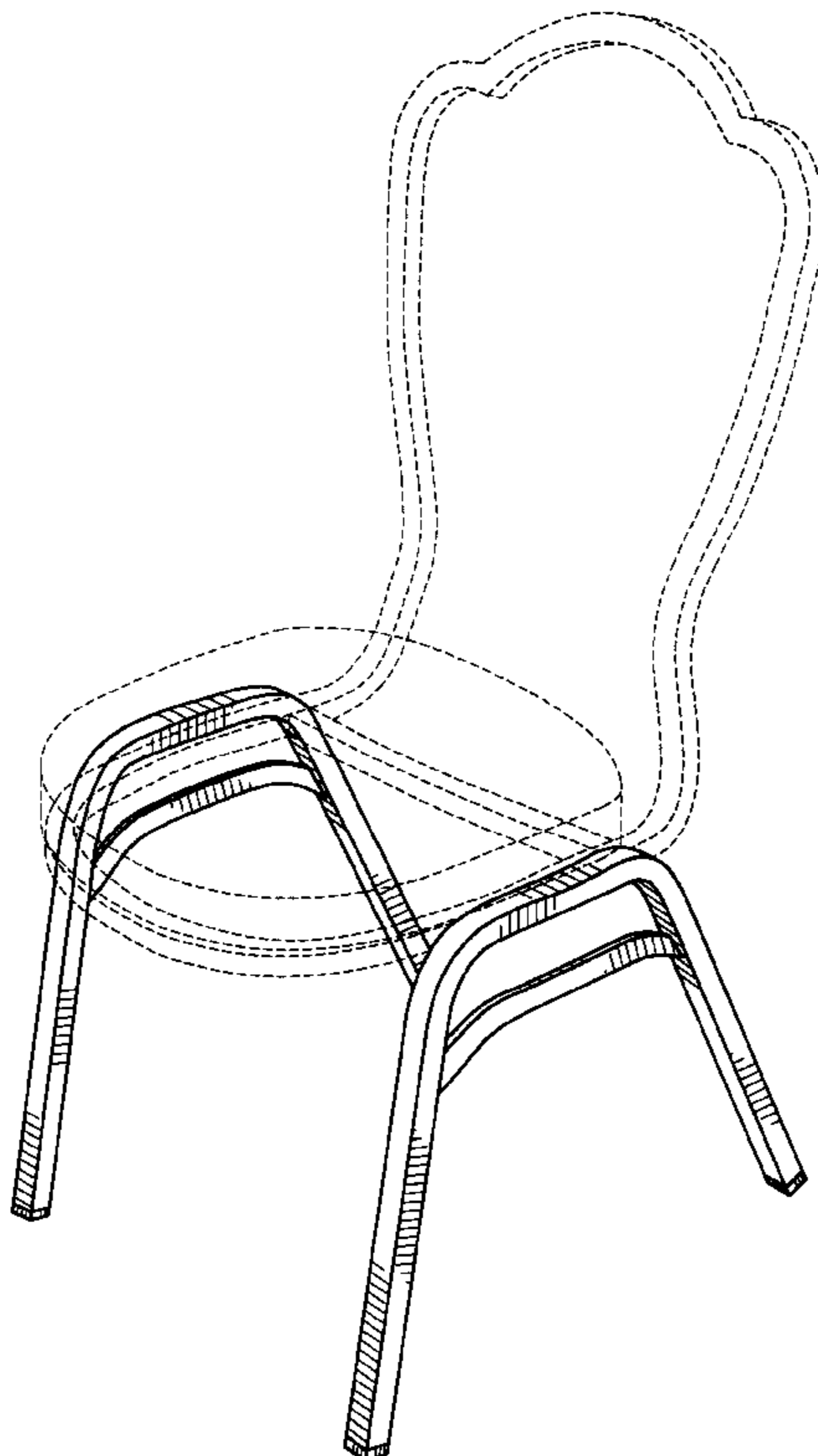
(56) **References Cited**

**U.S. PATENT DOCUMENTS**

D180,996 S	*	9/1957	Cramer	.....	D6/380
3,041,110 A	*	6/1962	King et al.	.....	297/239
3,203,731 A		8/1965	Krueger		
3,316,016 A		4/1967	Petersen		
3,856,352 A	*	12/1974	Jacobi, Sr.	.....	297/239
4,057,288 A		11/1977	Schwartz et al.		
4,603,904 A	*	8/1986	Tolleson et al.	.....	297/296
4,807,929 A	*	2/1989	Balsbaugh	.....	297/239
5,762,396 A		6/1998	Barile		
5,902,012 A	*	5/1999	Han	.....	297/297
D421,344 S	*	3/2000	Kaiser	.....	D6/334

The features of the chair frame shown in broken lines are for illustrative purposes only and form no part of the claimed design.

**1 Claim, 6 Drawing Sheets**



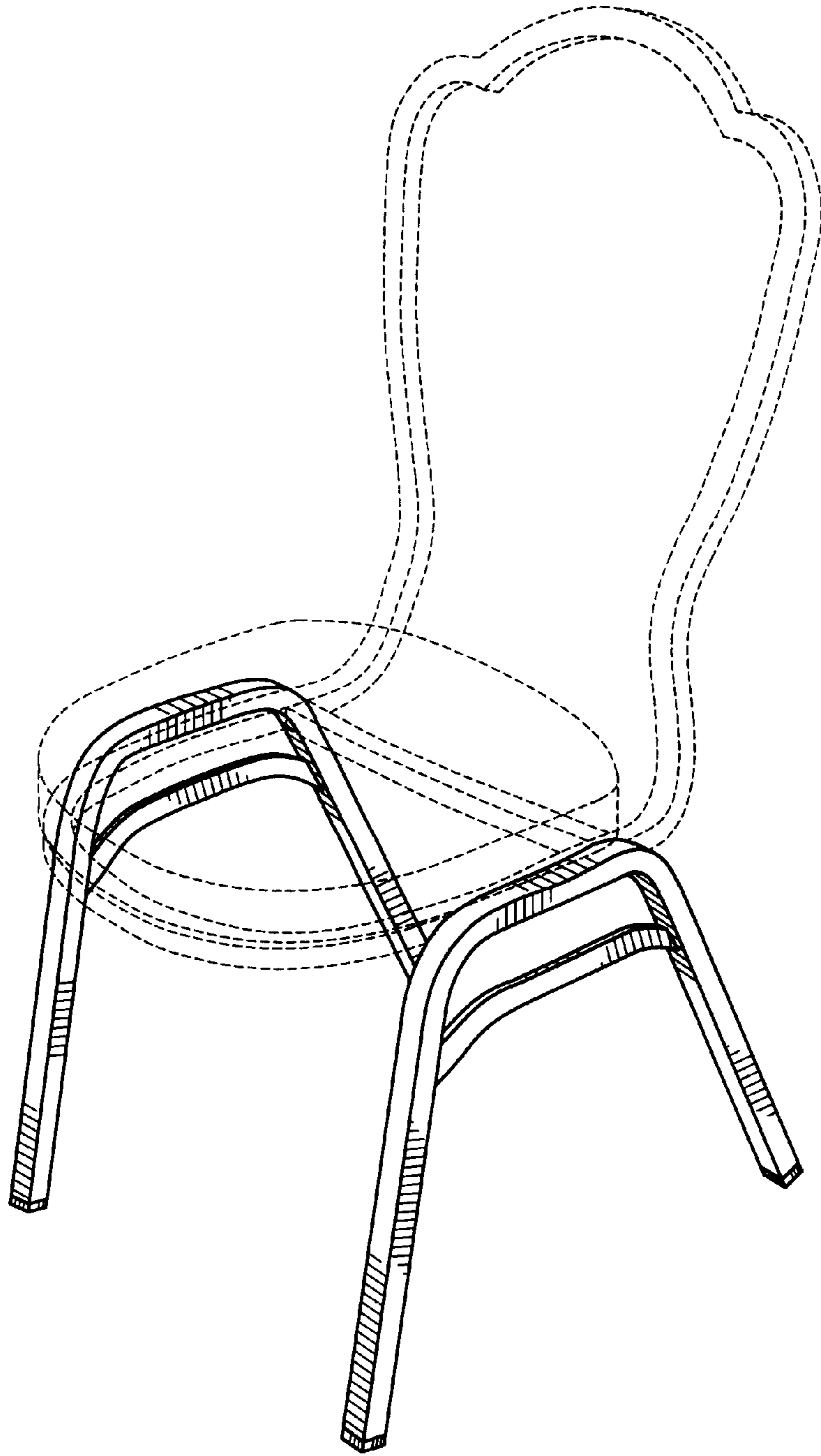


Fig. 1

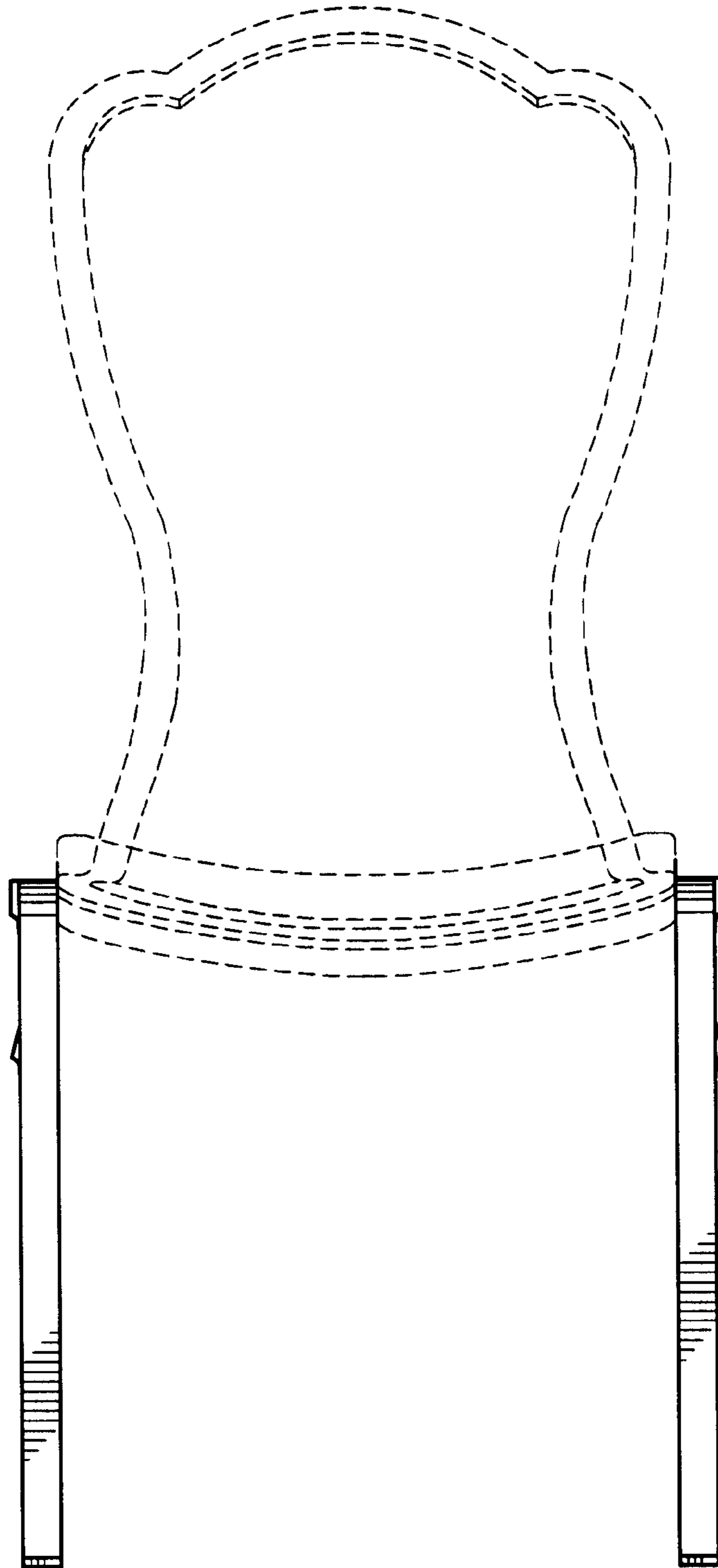


Fig. 2

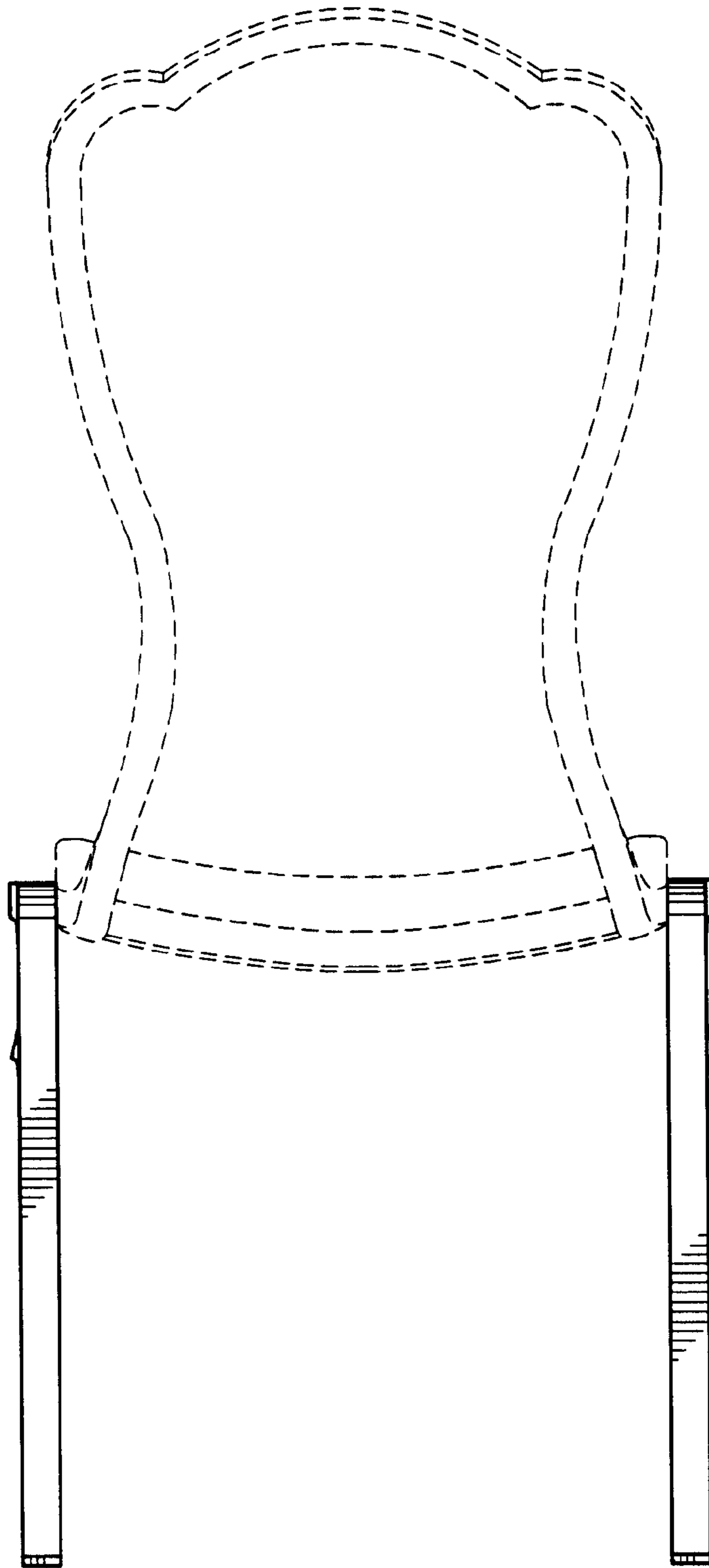


Fig. 3

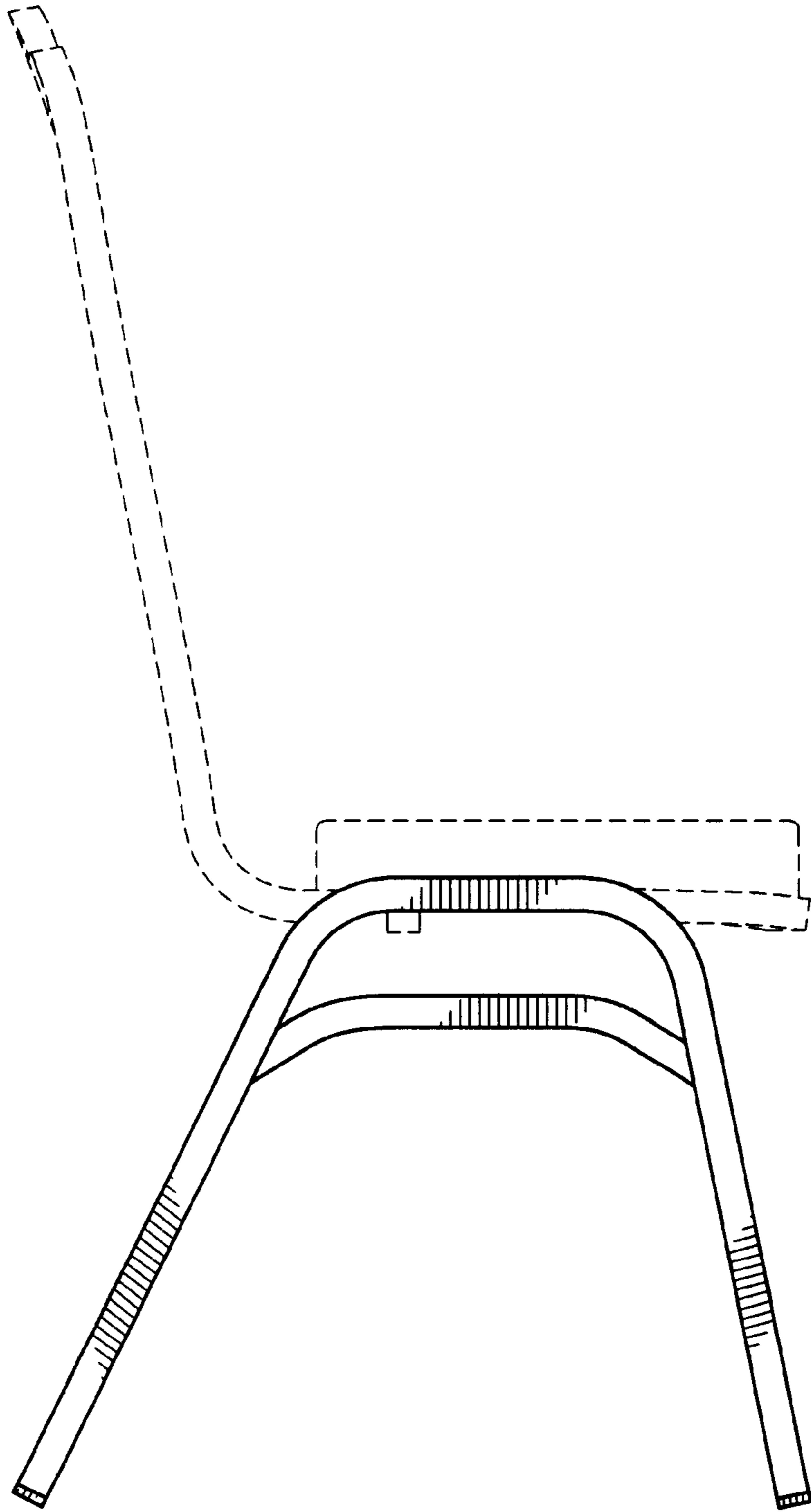


Fig. 4

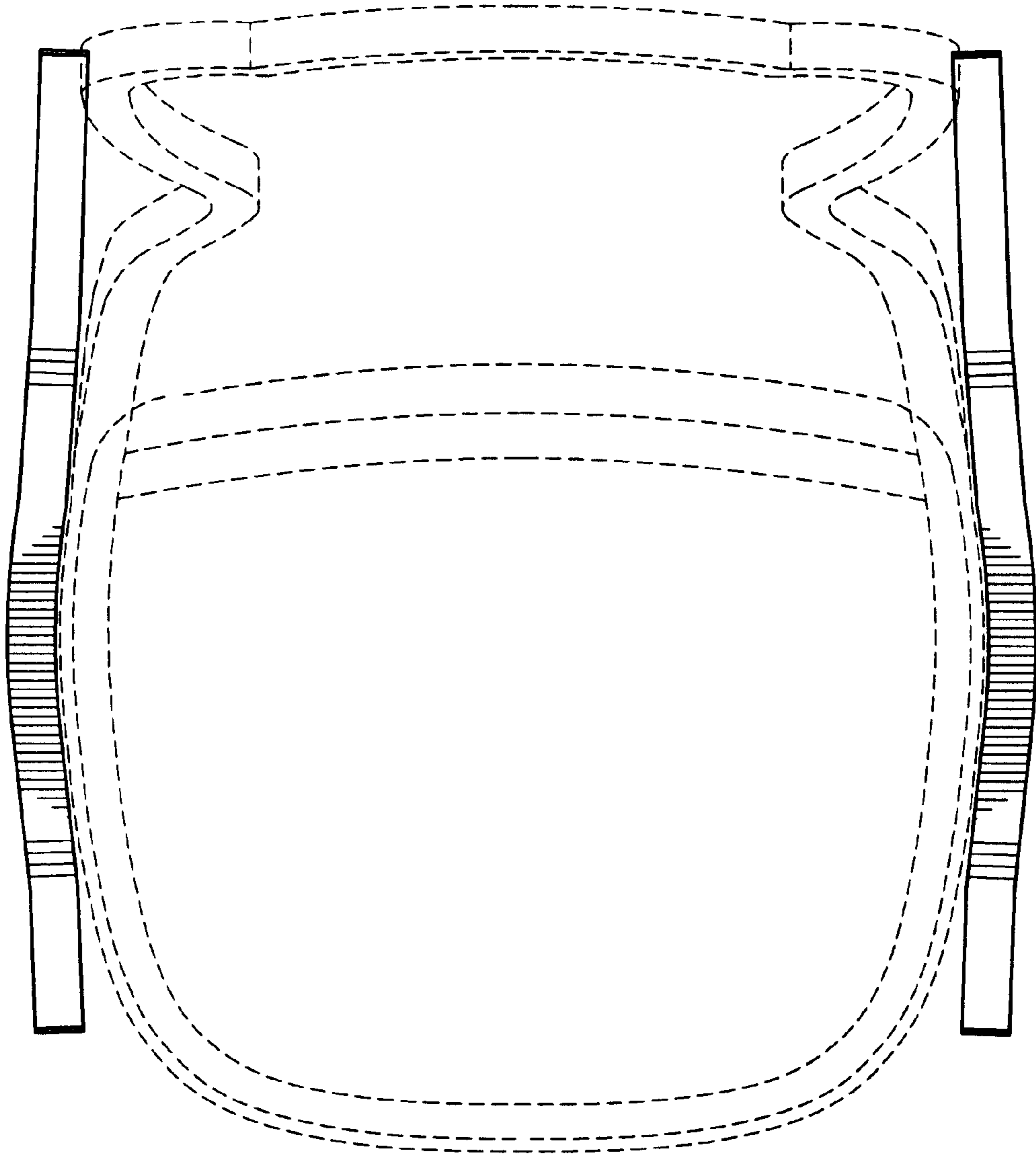


Fig.5

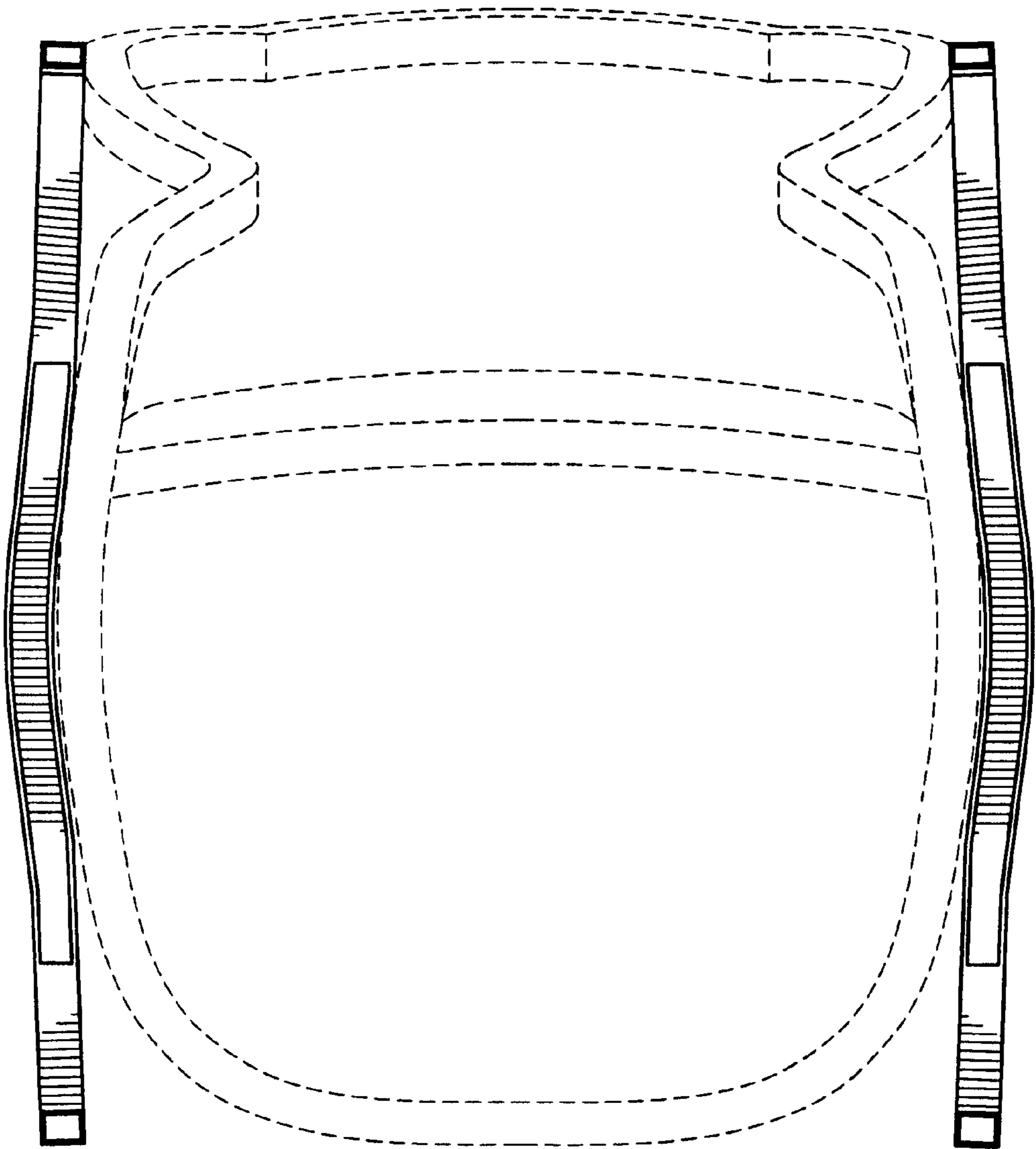


Fig.6