



US00D486983S

(12) **United States Design Patent**
O'Hare

(10) **Patent No.:** **US D486,983 S**

(45) **Date of Patent:** **** Feb. 24, 2004**

(54) **TABLE**

(75) Inventor: **Timothy M. O'Hare**, Oak Ridge, NC (US)

(73) Assignee: **Bernhardt, L.L.C.**, Lenoir, NC (US)

(**) Term: **14 Years**

(21) Appl. No.: **29/177,637**

(22) Filed: **Mar. 13, 2003**

(51) **LOC (7) Cl.** **06-03**

(52) **U.S. Cl.** **D6/480**

(58) **Field of Search** D6/480-489, 495, D6/511; 108/150, 153.1, 155, 156, 157.1, 161; 248/188, 188.1, 188.8

(56) **References Cited**

U.S. PATENT DOCUMENTS

D323,086 S * 1/1992 Arcese et al. D6/480

D388,979 S * 1/1998 Walters, III et al. D6/480
D388,980 S * 1/1998 Mohundro D6/480
D479,071 S * 9/2003 Berry et al. D6/511

* cited by examiner

Primary Examiner—Janice E. Seeger

(74) *Attorney, Agent, or Firm*—MacCord Mason PLLC

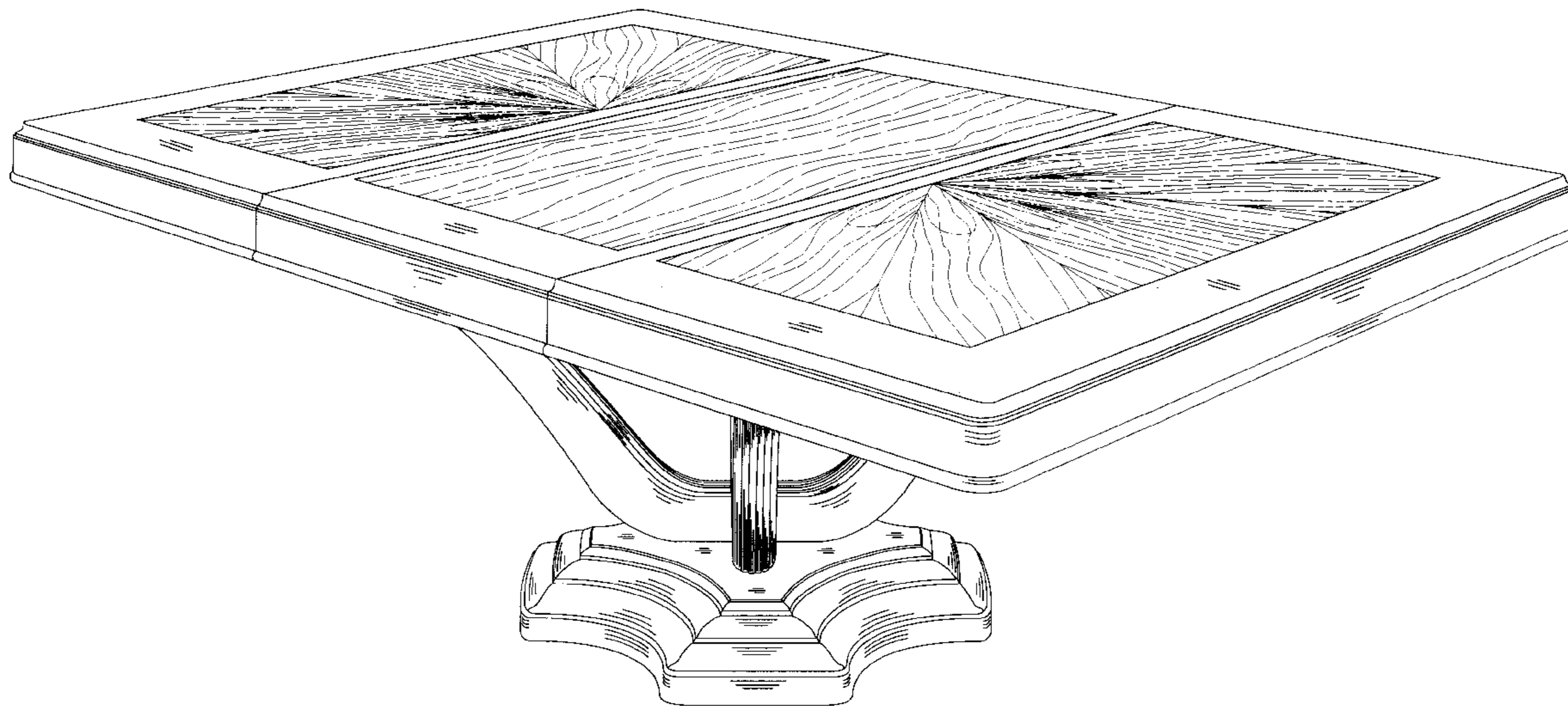
(57) **CLAIM**

The ornamental design for a table, as shown and described.

DESCRIPTION

FIG. 1 is a perspective view of a table showing my new design;
FIG. 2 is a side view, the opposite side being a mirror image thereof;
FIG. 3 is a end view, the opposite end being a mirror image thereof; and,
FIG. 4 is a top view thereof.

1 Claim, 4 Drawing Sheets



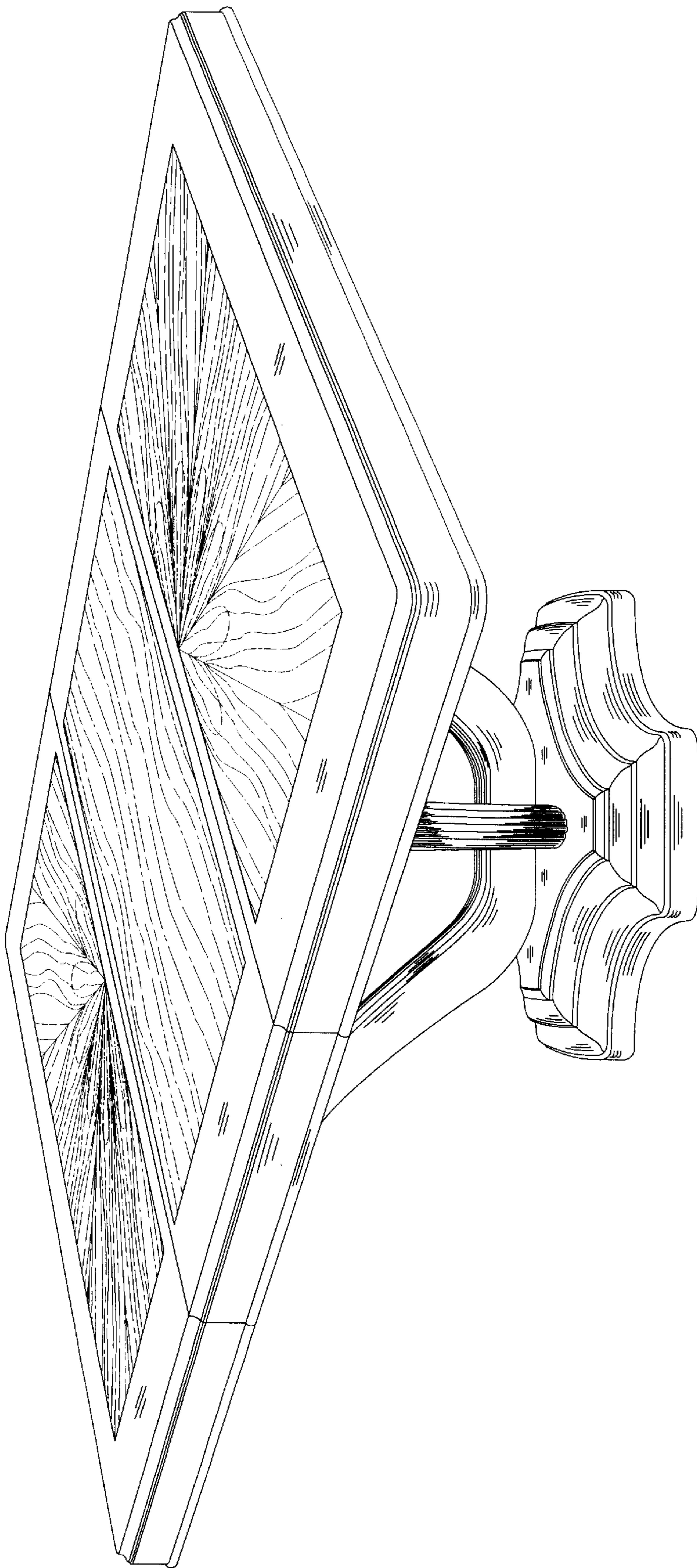


FIG. 1

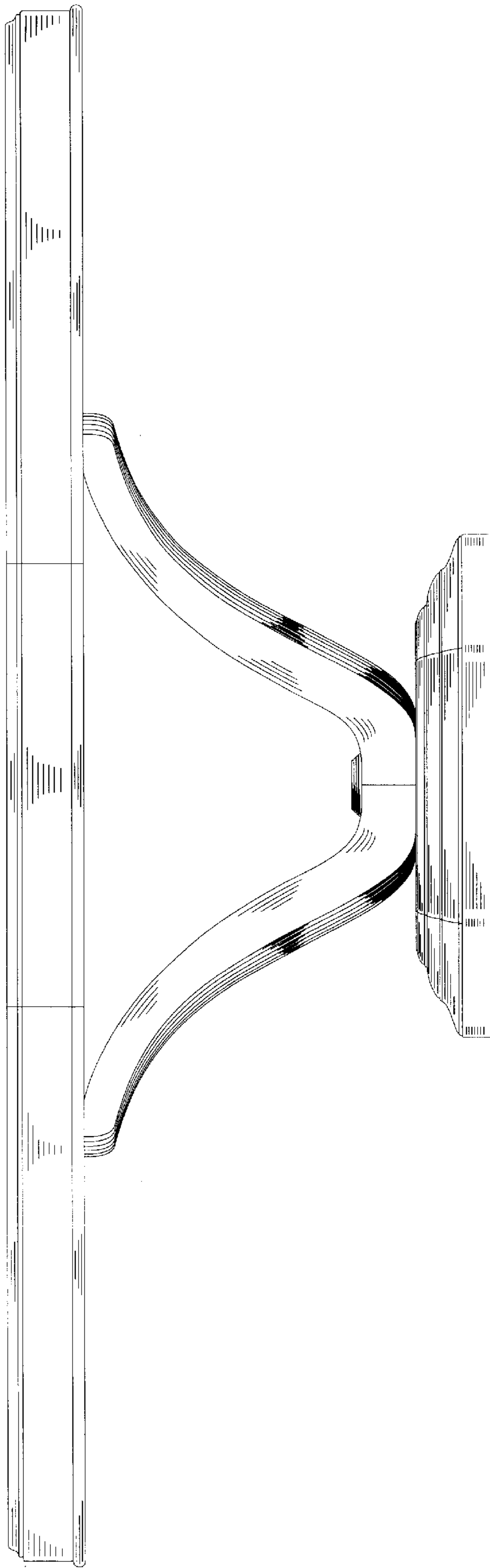


FIG. 2

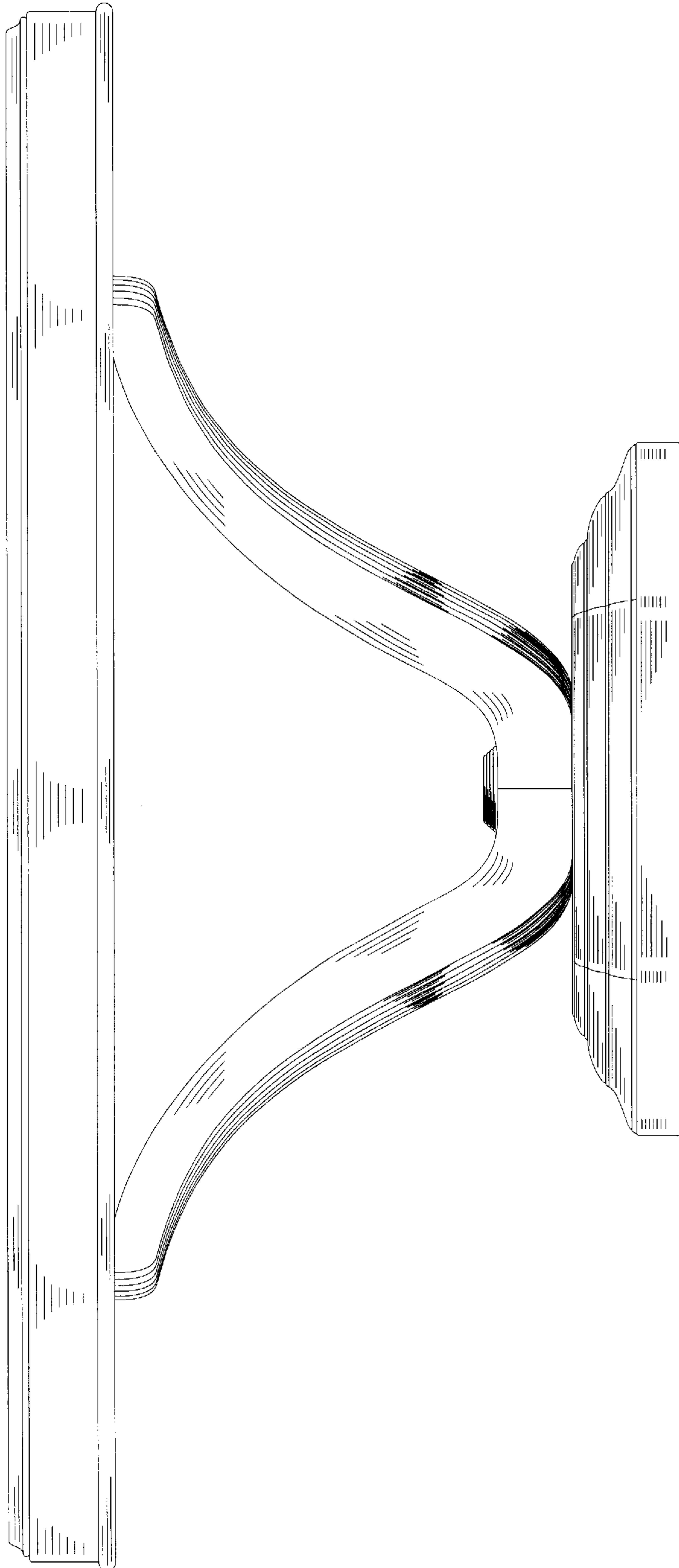


FIG. 3

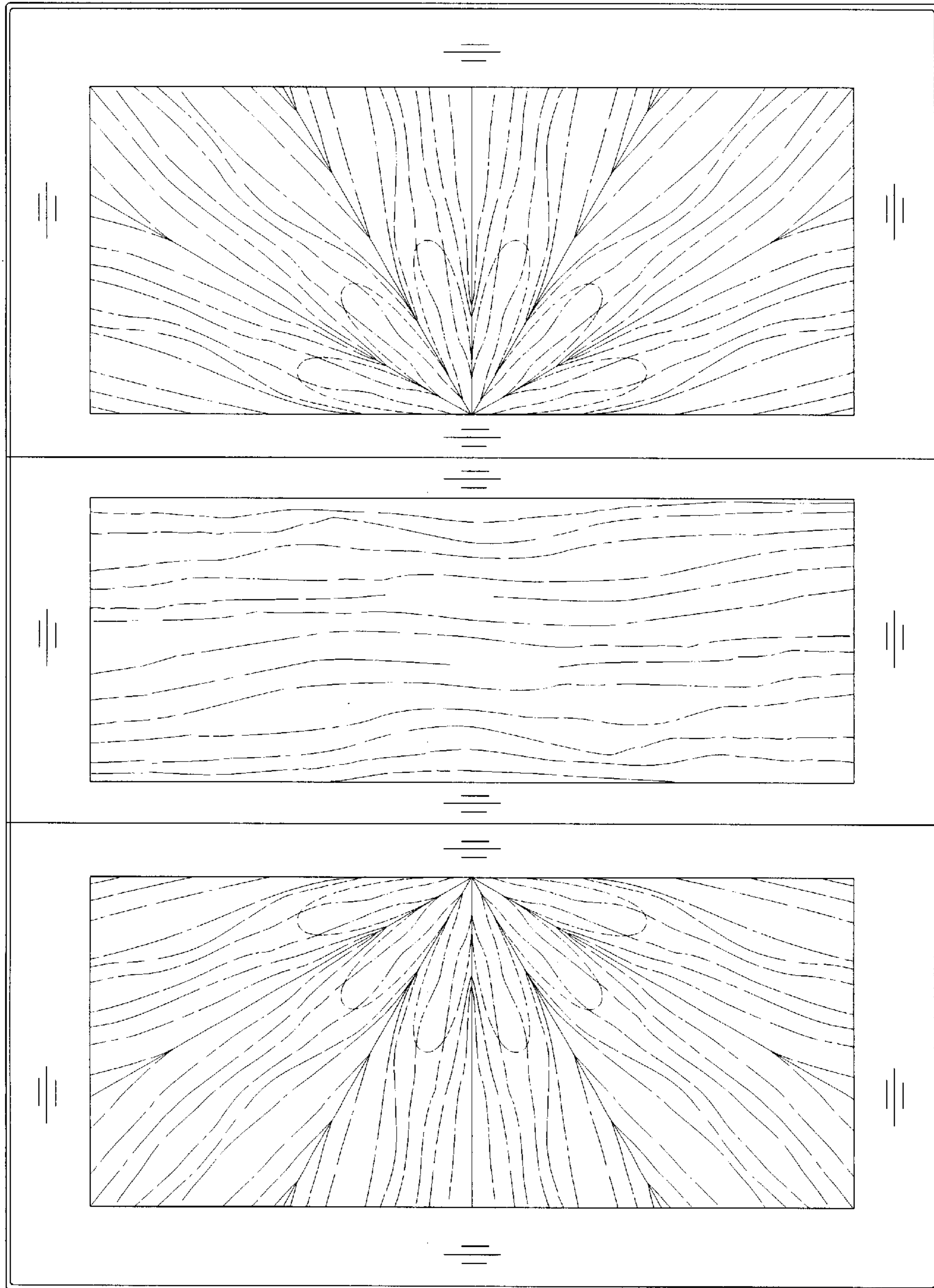


FIG. 4